

BLUE SEA SYSTEMS

Marine Electrical Products

Mini OLED DC Ammeter PN 1732

Monitors DC current on a bright, waterproof, daylight readable OLED screen.

Features

- Measures current on the positive or negative side
- Compact size
- Displays temperature in Fahrenheit or Celsius
- Reverse polarity protected
- Mounts in a common 1-1/8 inch hole

Specifications

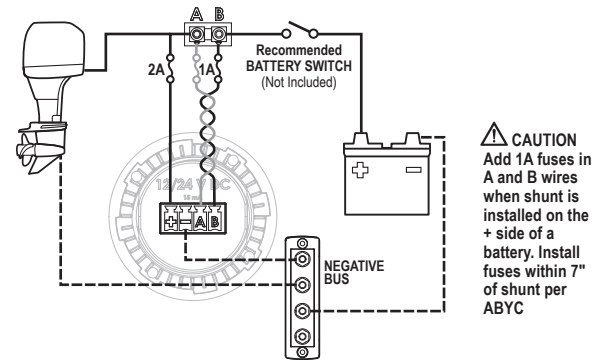
Nominal Voltage	12V / 24V DC
Voltage Range	8V–36V DC
Maximum Operating Current	15mA
Resolution	0.1A
Accuracy	+/- 2%
Cutout Dimensions	1-1/8" (29mm) diameter
Shunt (included)	1x 9230 (100A/50mV)
Intermittent: 5 min.	110A
Cranking: 30 sec.	175A

Regulatory

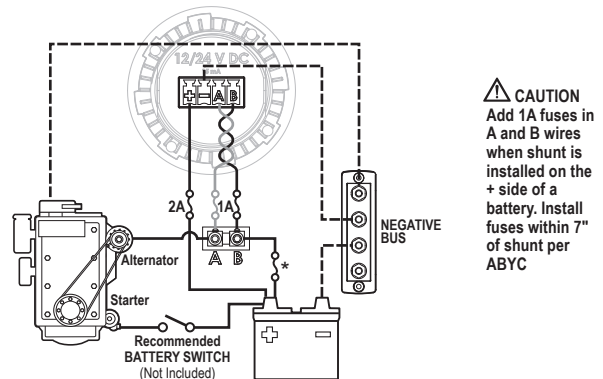
CE marked
Meter face is IP66 - protected against powerful water jets

Monitor Outboard Alternator

Verify cranking ratings

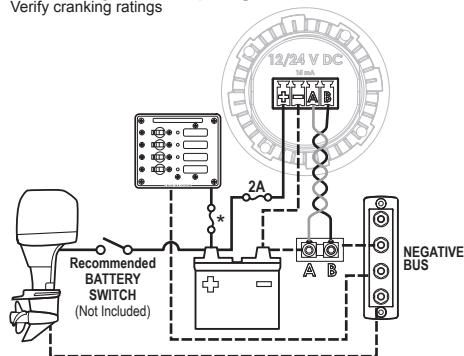


Monitor Inboard Alternator

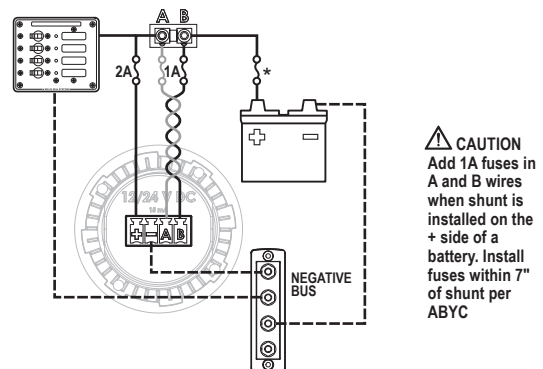


Monitor System Amperage

Verify cranking ratings



Monitor House Loads



LEGEND

Positive ———
Negative - - - - -

* See circuitwizard.bluesea.com to determine fuse rating.

NOTE: The diagrams are intended for reference only. Consult an ABYC certified marine electrical professional for system design and circuit protection.