

Insta-Trim boat leveler's electronic tab locator shows the position of your tabs. Two separate lines of diode lamps accurately indicate the position of each tab. the screen is small, mounts on the dashboard, and is designed to match your rocker type controls in size and appearance. The detectors are rugged and attach easily and quickly to each hydraulic cylinder. The attached readout line runs up to the light panel with simple plug in connections.

Insta-Trim electronic tab locators can be added to your existing boat leveler system, upgrading your system for a better, more accurate performance.

Installation is quick, easy, and simple. Only a few common tools are required, and the tab locators come with easy to follow instructions.

PART #	TAB LOCATORS	LIST
<u>29000BWL</u>	TAB LOCATOR SET ROUND BLACK INDICATOR PANEL, 25' HARNESS	350.00
<u>29000WBL</u>	TAB LOCATOR SET ROUND WHITE INDICATOR PANEL, 25' HARNESS	350.00
<u>29002BWL</u>	TAB LOCATOR SET ROUND BLACK INDICATOR PANEL, 50' HARNESS	370.00
<u>29002WBL</u>	TAB LOCATOR SET ROUND WHITE INDICATOR PANEL, 50' HARNESS	370.00
<u>29005BWL</u>	ROUND BLACK INDICATOR PANEL W/ 15' HARNESS (FLY BRIDGE)	195.00
<u>29005WBL</u>	ROUND WHITE INDICATOR PANEL W/ 15' HARNESS (FLY BRIDGE)	195.00
Legend to Tab Locator part number suffix: BWL = Black w/ White Lettering; WBL = White w/ Black Lettering;		
PART #	TAB LOCATOR PARTS	LIST
<u>29010BWL</u>	ROUND BLACK INDICATOR PANEL	180.00
<u>29010WBL</u>	ROUND WHITE INDICATOR PANEL	180.00
<u>29028</u>	Y-CONNECTOR, BLACK JUNCTION BOX	45.00

<u>29030</u>		OUTSIDE SENSOR AND 6' CABLE	120.00
<u>29024-25</u>		WIRE HARNESS, 25' WITH PLUG. FITS Y-CONNECTOR TO PANEL	65.00
<u>29024-50</u>		WIRE HARNESS, 50' WITH PLUG. FITS Y-CONNECTOR TO PANEL	95.00
<u>29040</u>		INSIDE SENSOR FOR PISTON CAP	25.00
<u>29040-A</u>		BRASS SCREW FOR INSIDE SENSOR	1.00
<u>29202</u>		BRACKET FOR LIGHT PANEL	15.00
<u>29203</u>		NUT FOR LIGHT PANEL	5.00

Installation Instruction for Tablocator kit.

Inside sensor

Bring tabs to full up position, unscrew hosetrim from transom of the boat. Drill 13mm hole for hydraulic hose and sensor cable. Loosen bottom large nut at base of cylinder. Then unscrew bolts fixing cylinder bracket to tab. Now unscrew large nut at base of cylinder and pull out ram. Attach small (red) inside sensor to top of ram with the mark "A as in figure 2,2" in line with the seam. Use 3mm drill bit and drill a hole not less then 13mm deep into ram, through the hole in the inside sensor. Fasten the inside sensor with the brass screw.

With a file, make a mark on lower part of ram "B in the figure 2,2" on the same side as the mark A. Reinstall the ram in reverse process and note that mark "B" must be facing up. Do not fix hose-trim yet. Repeat procedure for next side of boat.

Outside sensor

Snap outside sensor onto cylinder with it's cable resting against top of cylinder. Make sure outside sensors centerline is in line with hose and mark "B" on ram. Run the cable through the same hole as the hose, drill a little bit if necessary "13mm as in figure 6". Now reinstall the hose trim. Important, leave ample loop of cable for cylinders full move see figure 10.

Instrument

Locate convenient position for instrument and saw out a hole 64mm Ø in diameter (2 ½"). Attach instrument and tighten with it's brace. Caution: Do not over tighthen. Connect red wire from instrument to 12 or 24 volt preferably via ignition switch. Attach black wire from instrument to negative. Connect wire from sensor into the instrument. Run tabs down and the tablocator scale will gradually lighten and finally the entire scale will be illuminated.

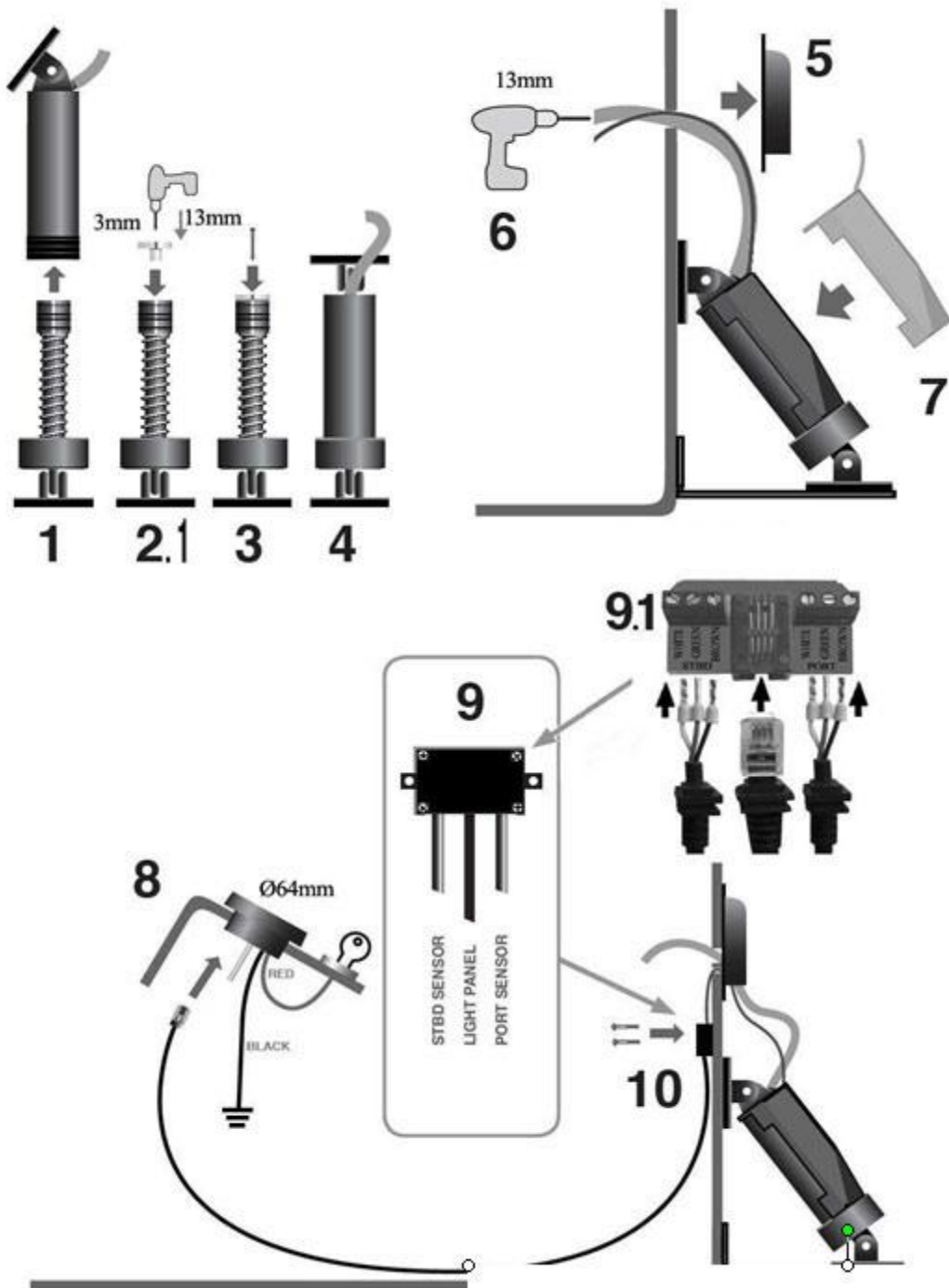
Y connector

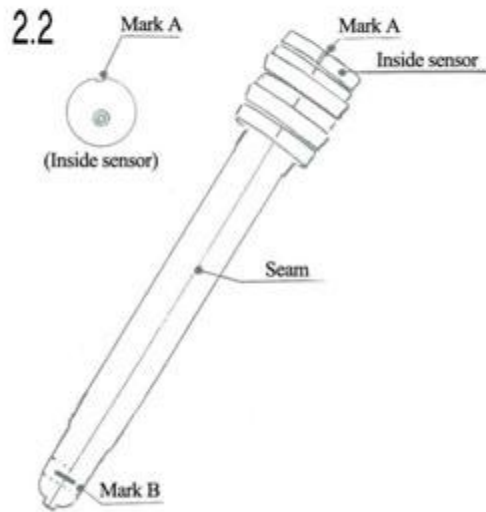
Attach wires from each outsideselector to Y-connector as color marking indicates also shown in figure "9,1". Fit Y-connector to both hull or transom with 2 small screw enclosed.

Flybridge (optional)

Install flybridge-instrument in the same way as the standard instrument. Connect standard instrument with 0,5m / 2 Ft wire to "3-way connector for flybridge". Run long cable from "3-way

connector for flybridge” to flybridge-instrument. Connect wire from sensors into “3-way connector for flybridge”.





CAUTION!

Position the lid so that you have the three position holders away from you. The position holders will hold the card in place.

WARNING!
DO NOT PUT THEM TOWARDS THE CABLE!

