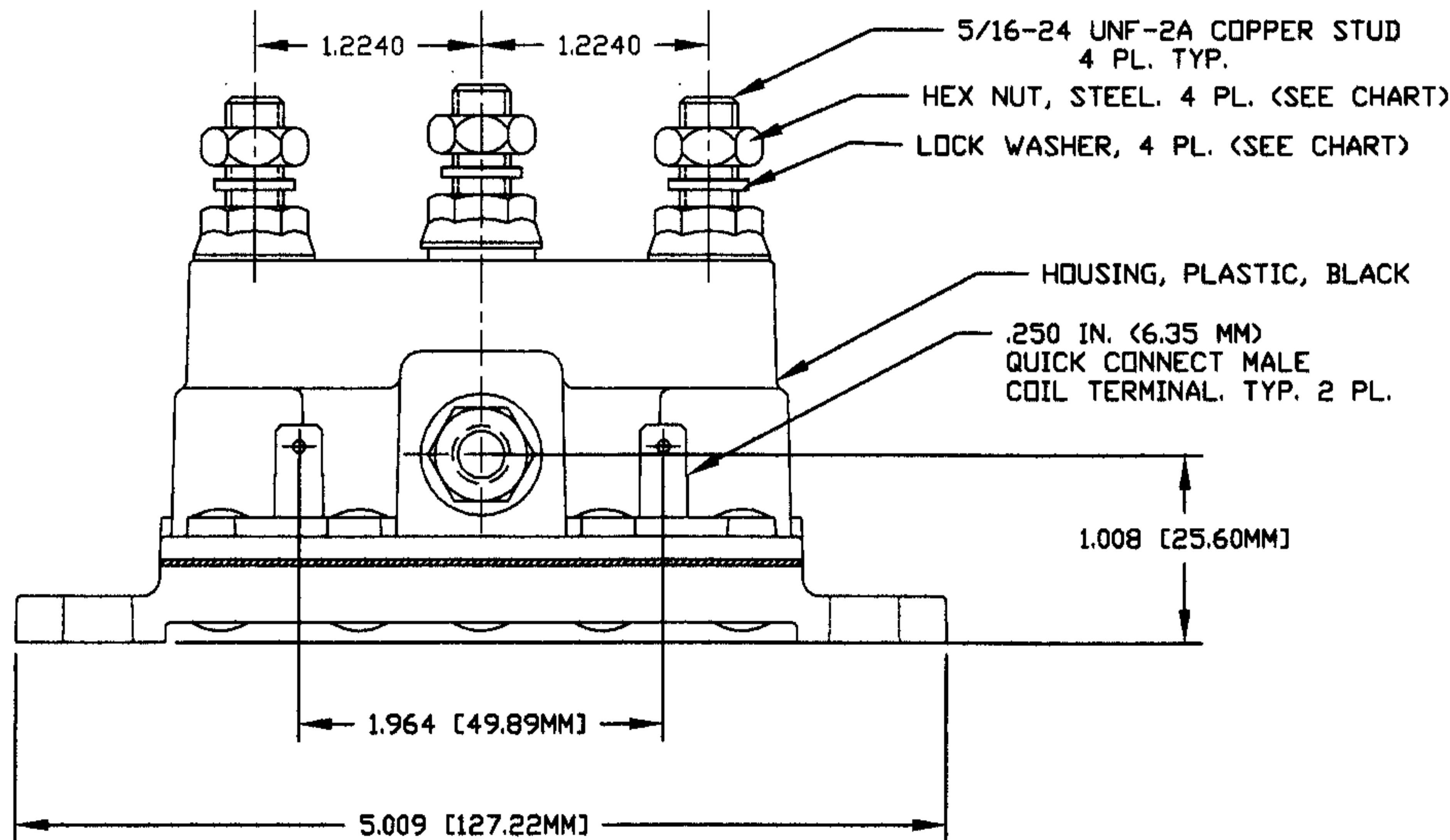
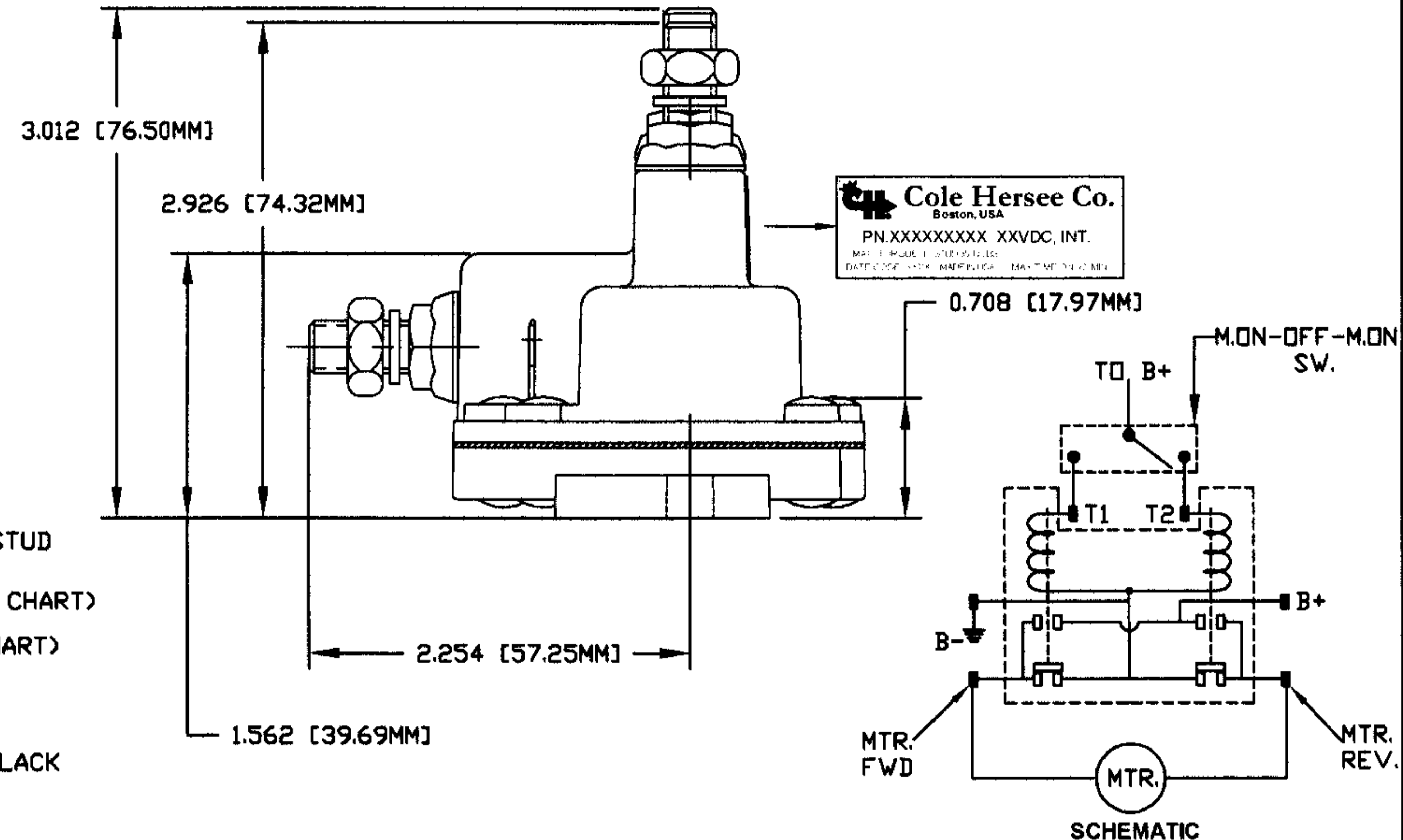
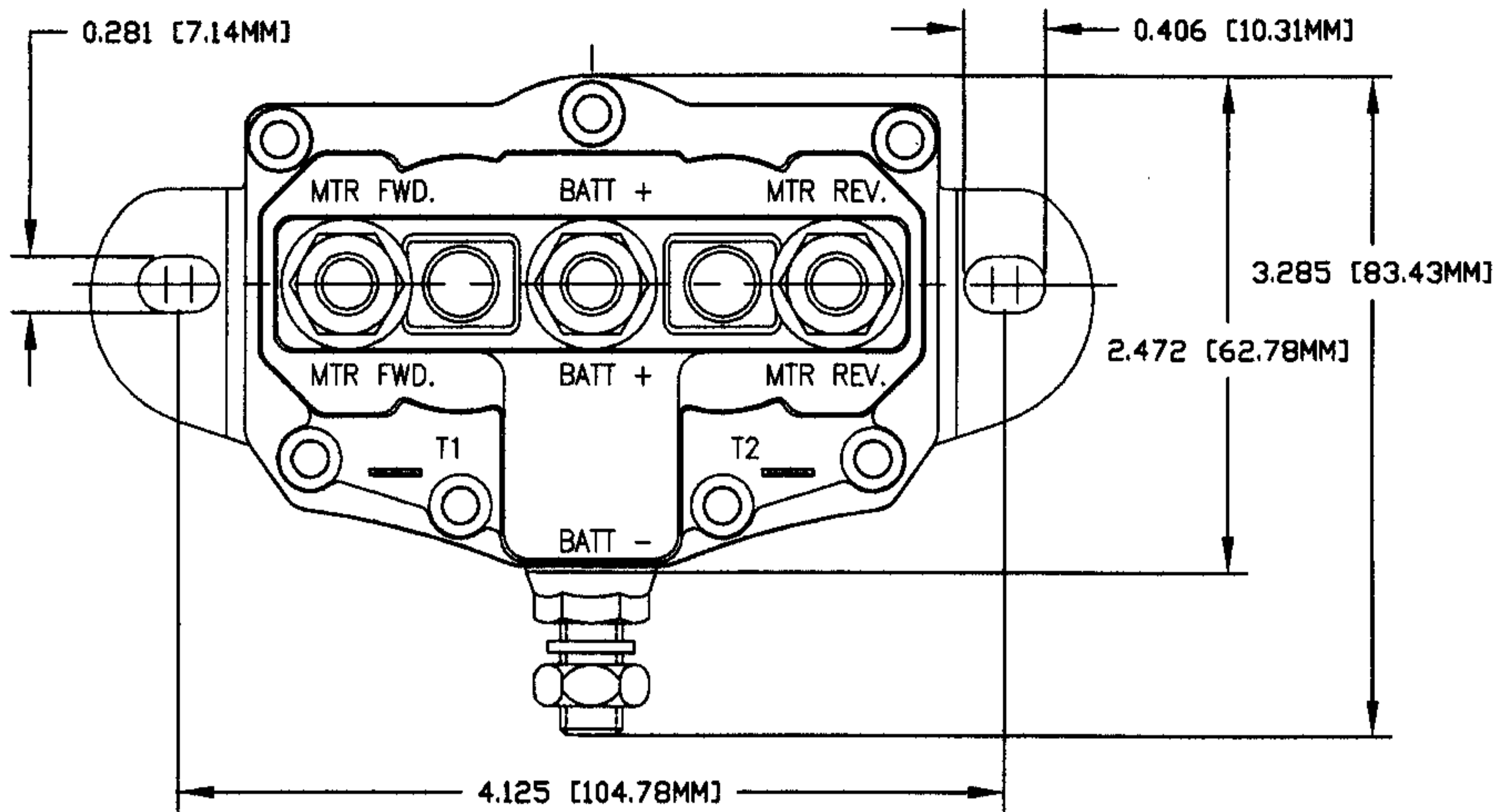


# 24450-CHART

P.N	VOLTAGE	HARDWARE
24450	12VDC	LOOSE
P-24450	12VDC	BULK
24450-01	12VDC	ASSEMBLED
24450-02	24VDC	LOOSE
P-24450-02	24VDC	BULK
24450-03	24VDC	ASSEMBLED



- NOTES:
1. ALL DIMENSIONS ARE REFERENCE.
  2. SOLENOID IS RESISTANT TO DUST, WATER SPLASH, OIL, ANTI-FREEZE AND BRAKE FLUID. HOUSING MATERIAL: NYLON, GLASS REINFORCED.
  3. ELECTRICAL RATING: MAKE & BREAK 75AMPS.
  4. MAX.DUTY CYCLE: 5 MIN. ON - 5 MIN. OFF @75AMPS/12V, 25°C. 125A/12V FOR 30 SECS. MAX ON TIME; 150A/12V FOR .5 SECS. MAX. ON TIME.
  5. CONTACT LIFE CYCLE RATING: 10,000 CYCLES @ 75AMPS, INDUCTIVE.
  6. SOLENOID IS DESIGNED TO BE ACTIVATED ONLY WITH A MOMENTARY SWITCH SIMILAR TO CH P.N 55033-01.
  7. FOR VOLTAGE AND HARDWARE SELECTION: SEE CHART.
  8. SOLENOID DYNAMIC-PARKS MOTOR WITH ACTUATION SW. IN THE OFF POSITION.