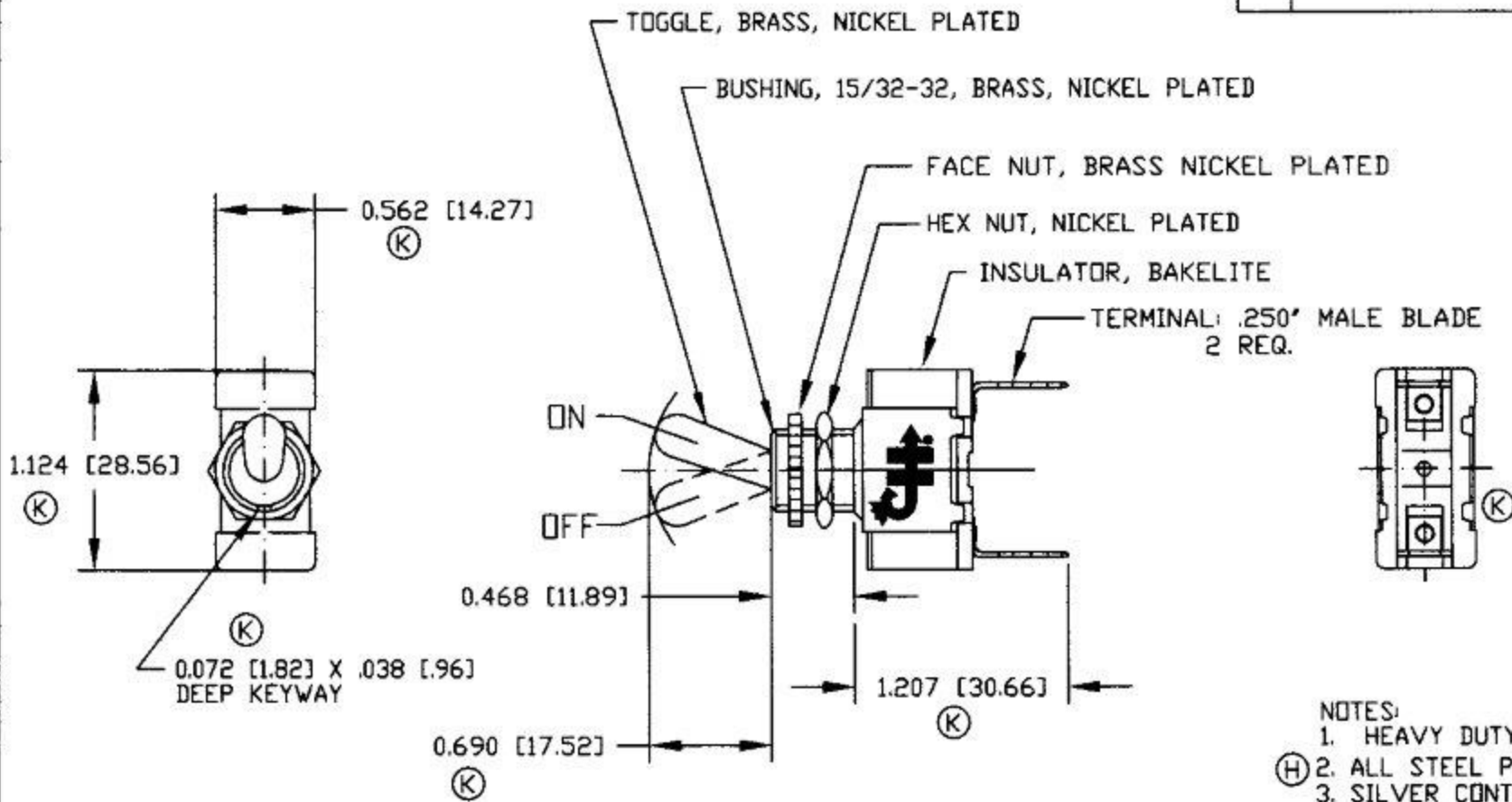


**Revision Control Record**

Rev.	Description of Change	ECN No.	Date
K	PUT ON CAD	05124	01/20/05



- NOTES:
1. HEAVY DUTY CONTACTS
  2. ALL STEEL PARTS ZINC PLATED (H)
  3. SILVER CONTACT SURFACES
  4. 25 A @ 12V / 15 A @ 24V

**Tolerances:** Unless otherwise specifically noted, the following are default tolerances:  
 \* 2-place Decimal Dimensions  $\pm .02"$   
 \* 3-place Decimal Dimensions  $\pm .005"$   
 \* Angular Dimensions  $\pm 1.0$  Deg.  
 \* Metric: Refer to equivalent English Dimension Tolerance  
 >>> NOTE: All tolerances are Non-Cumulative. <<<

**Dimensional Units:** All dimensions are expressed in inches except those shown in brackets (xxx) are expressed in millimeters

**REF. or an Asterisk (\*)** = Non-Toleranced Reference Dimension, shown for clarification purposes only.

**PROPRIETARY INFORMATION:** This Engineering Drawing, and the information contained herein, is proprietary to Cole Hersee Company and may not be disclosed, re-produced, or in any other way transferred or communicated to any other party without the express written consent of an authorized representative of Cole Hersee Company.

**DESIGN CONTROL:** It is the responsibility of the individual using / referencing this drawing to assure that the noted design revision level agrees with the revision level of the Controlled Document (Master Drawing). This is a NON-CONTROLLED DOCUMENT unless otherwise specifically noted.

**DO NOT SCALE** - Dimensional variation may occur during printing / reproduction.

**Special Characteristics:**

- (SC) Critical Characteristic, relating to Safety and/or Regulatory Compliance
- (X) Significant Characteristic relating to Process Control (SPC)
- (KC) Key Characteristic relating to Form - Fit - Function as defined by Cole Hersee Company and/or the Customer

(Note that the identification of any Characteristics as being "Special" does not alter the requirement that ALL specified dimensions & tolerances must be met.)

**Cole Hersee Co.**  
 20 Old Colony Ave., South Boston, MA, 02127  
 Phn: 617-268-2100 Web: www.colehersee.com

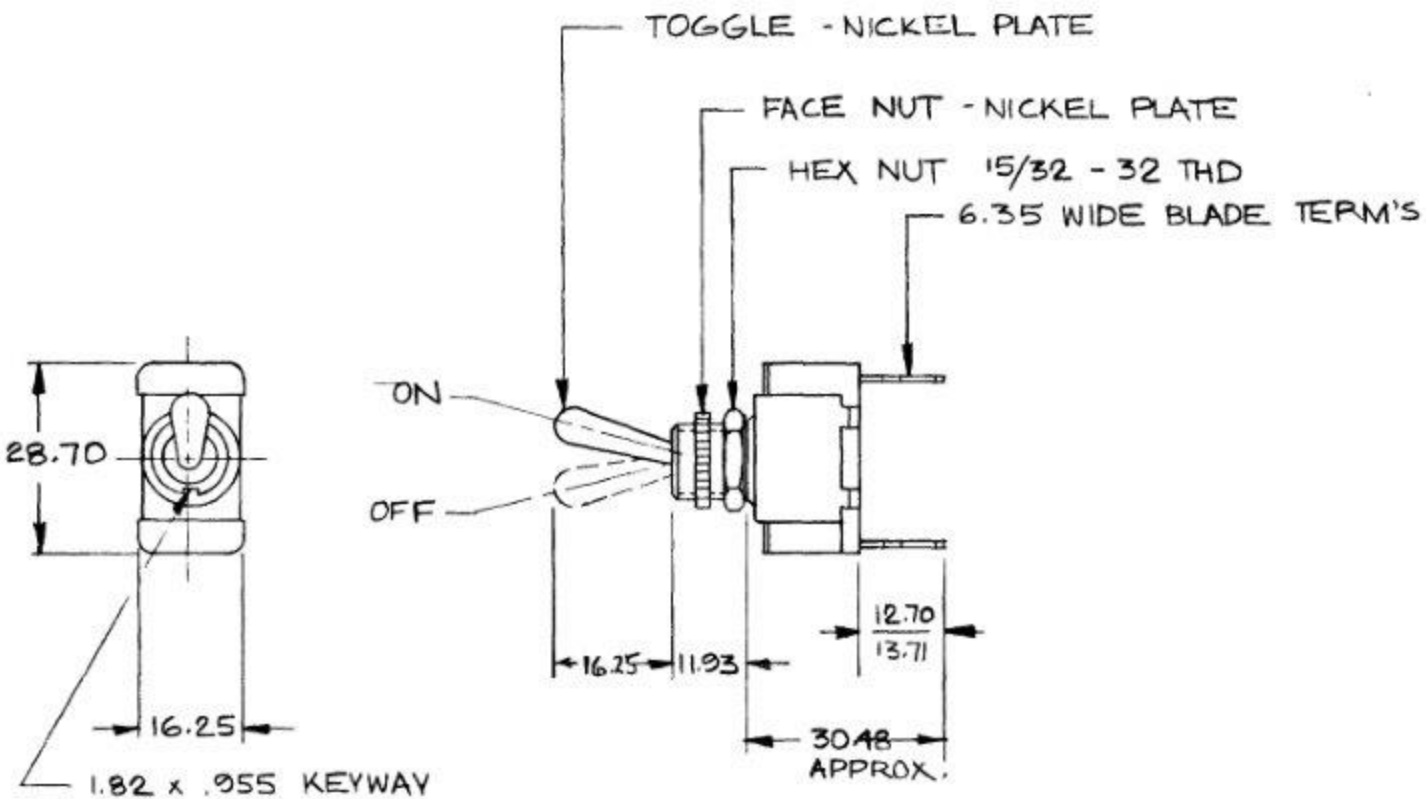
**Description:** SWITCH, TOGGLE . SPST ON-OFF

**Drawing / Part No.:** 55014

**Current Rev.:** K

55014-05

MN	IN
.955	.038
1.82	.072
6.35	.25
11.93	.47
12.70	.50
13.71	.54
16.25	.64
28.70	1.13
30.48	1.20



**METRIC**

25AMP-12V DC

NOTES:  
 1 NEOPRENE O-RING SEAL IN BUSHING  
 2 SILVER CONTACT SURFACES

DO NOT SCALE

LET	WAS	DATE	BY	LET	WAS	DATE	BY	MATERIAL	DRAWN	CHECKED	APPR'D	SCALE	DATE DRAWN
									RY			1:1	1-21-75
								FINISH	 Cole Hersee Co. <small>1000 COLLETT AVENUE SOUTH BRITAIN, B.C. V4A 1Y7</small>				DATE BLUEPRINT
								TOLERANCES					SWITCH, TOGGLE
				D	ADD NOTE / 25933	1/15/73	TJH	DECIMAL ±					
				C	REDRAWN	4/24/70	RD	METRIC ±					

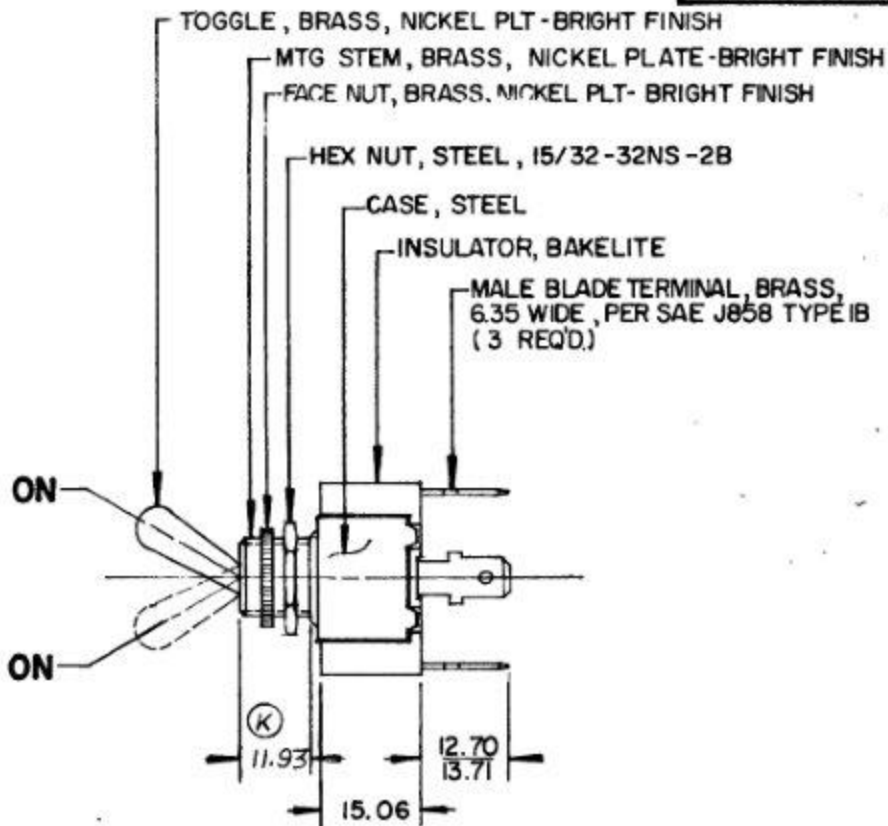
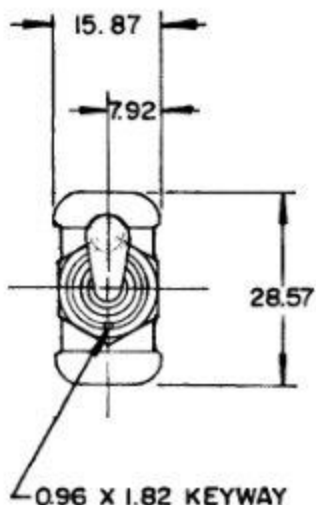
CH-188(4-78)

55015

**RATING:**

10 AMPS @ 250 V. A. C.  
 15 AMPS @ 125 V. A. C.  
 25 AMPS @ 12 V. D. C.

MM	IN
0.25	.010
0.96	.038
1.52	.060
1.82	.072
6.35	.250
7.92	.312
12.70	.500
11.93	.470
13.71	.540
14.98	.590
15.06	.593
15.87	.625
28.57	1.125



**NOTE**

- 1. ALL STEEL PARTS EITHER ZINC PLATE WITH DICHROMATE DIP OR CADMIUM PLATE
- 2. SILVER CONTACT SURFACES

**METRIC**

DO NOT SCALE

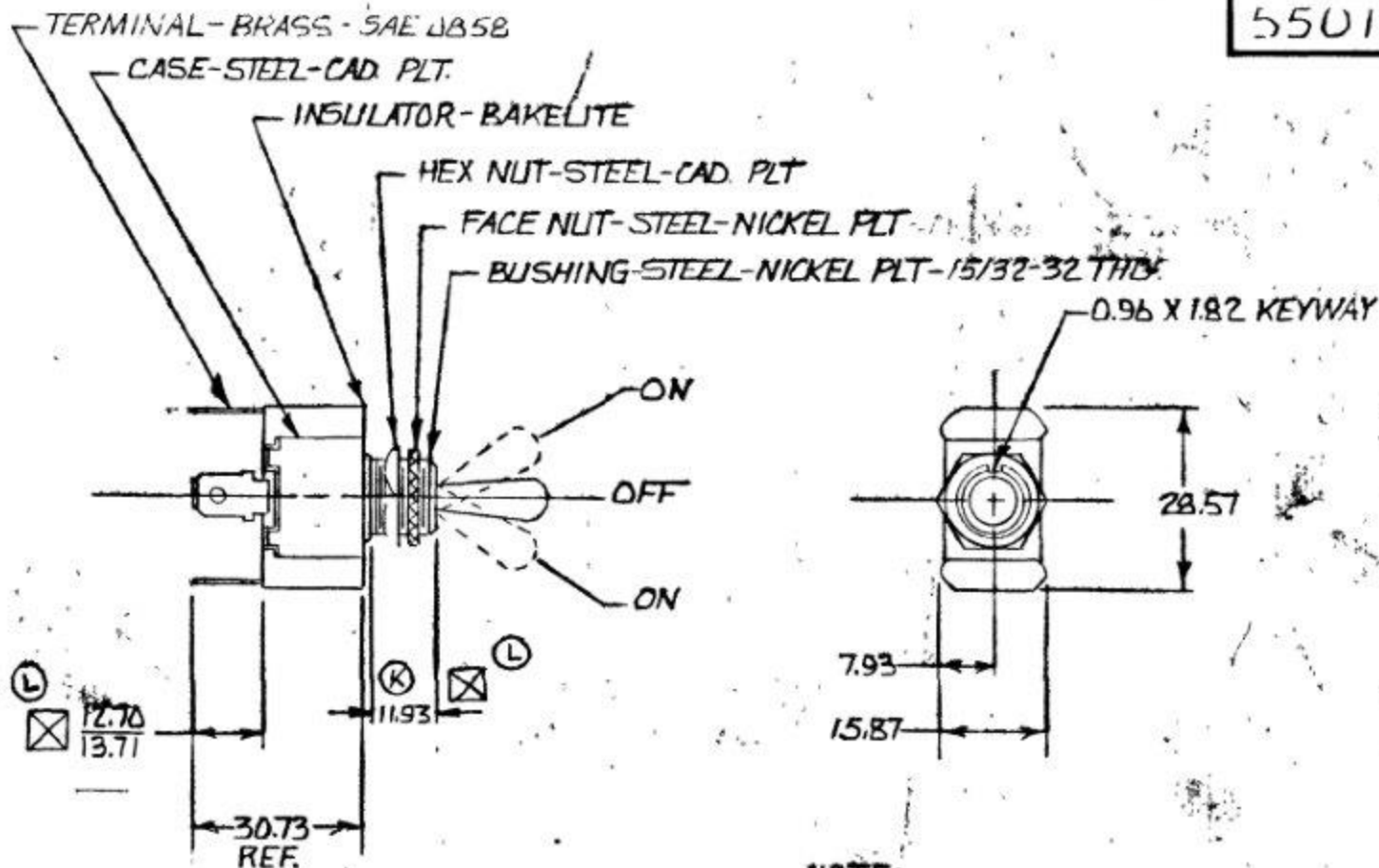
LET	WAS	DATE	BY	LET	WAS	DATE	BY	MATERIAL	DRAWN	CHECKED	APPRV D	SCALE	DATE DRAWN
								—	PLB	53-79		1:1	9 - 6 - 56
								FINISH	Cole Hersee Co. <small>COLLECTOR AND ENGINE SOUTH BOSTON, MASS. U.S.A. 02107</small>				DATE BLUEPRINT
				L	ADD NOTE / 25932	7/15/93	TGH	—					
				K	531/21279	1-21-81	Ⓚ	TOLERANCES	<b>SP-DT TOGGLE SWITCH</b>				<b>55015</b>
				J	REDRAWN	5-2-79	JV	DECIMAL ±					
								METRIC ± 0.25					

CH-188(4-78)

55016

COLE-HERSEE CO.

0.25	.010
0.38	.015
0.51	.020
0.64	.025
0.77	.030
0.90	.035
1.03	.040
1.16	.045
1.29	.050
1.42	.055
1.55	.060
1.68	.065
1.81	.070
1.94	.075
2.07	.080
2.20	.085
2.33	.090
2.46	.095
2.59	.100
2.72	.105
2.85	.110
2.98	.115
3.11	.120



NOTE:

⊙ SILVER CONTACT SURFACES

METRIC

DO NOT SCALE

LET	WAS	DATE	BY	LET	WAS	DATE	BY	MATERIAL	DRAWN	CHECKED	APPRV D	SCALE	DATE DRAWN
									PLB	JH		1-1	9-6-56
				M	ADD NOTE/25932	9/15/93	JH	FINISH	<b>COLE-HERSEE COMPANY</b> BOSTON, MASS. 02127, U.S.A.				DATE BLUEPRINT
				L	ADD 54-8005	2-25-92	JH						
				K	.531/21279	1-21-81	JH	TOLERANCES	<b>TOGGLE SWITCH</b>				55016
				J	ADD 16-1003	4/1/77	JH	FRACTIONAL ±0.38 DECIMAL ±0.25					

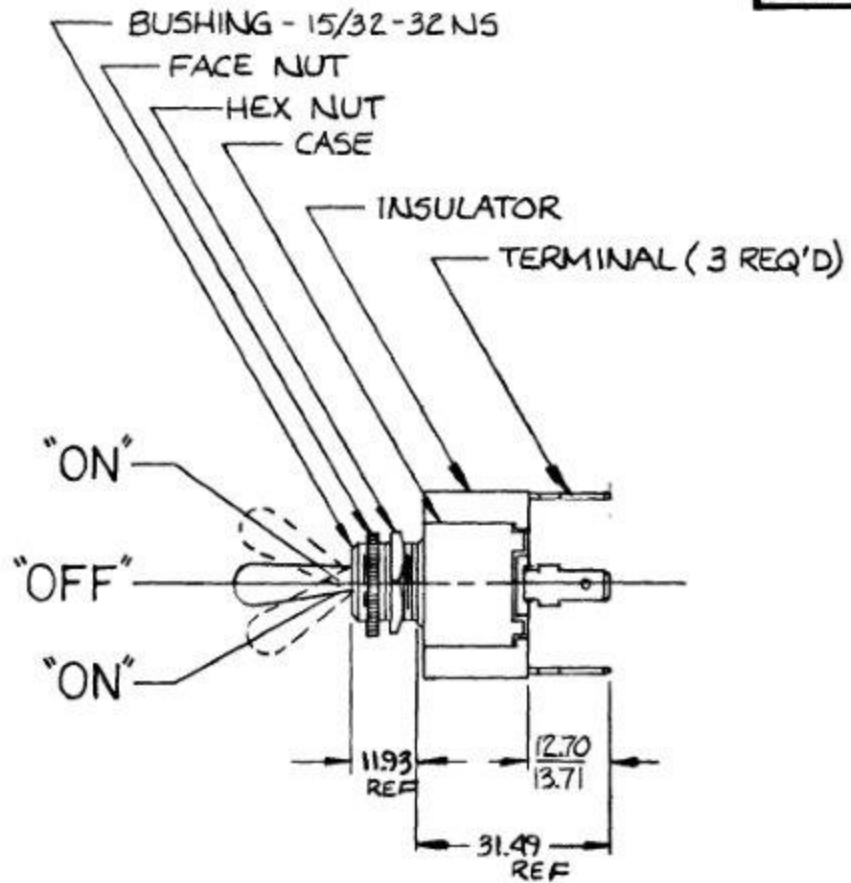
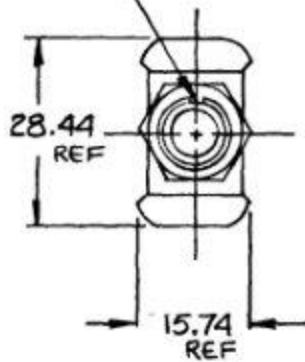
SPAULDING CO., INC. 21-5353

Confidential Property of Cole Hersee

55016-06

MM	IN
.96	.038
1.82	.072
12.70	.500
13.71	.540
15.74	.620
28.44	1.120
31.49	1.240
11.93	.470

.96 x 1.82 KEYWAY



## NOTES:

1. "O" RING SEAL IN BUSHING.
2. SILVER CONTACTS.
3. 25 AMPS @ 12 VDC LAMP LOAD.

METRIC

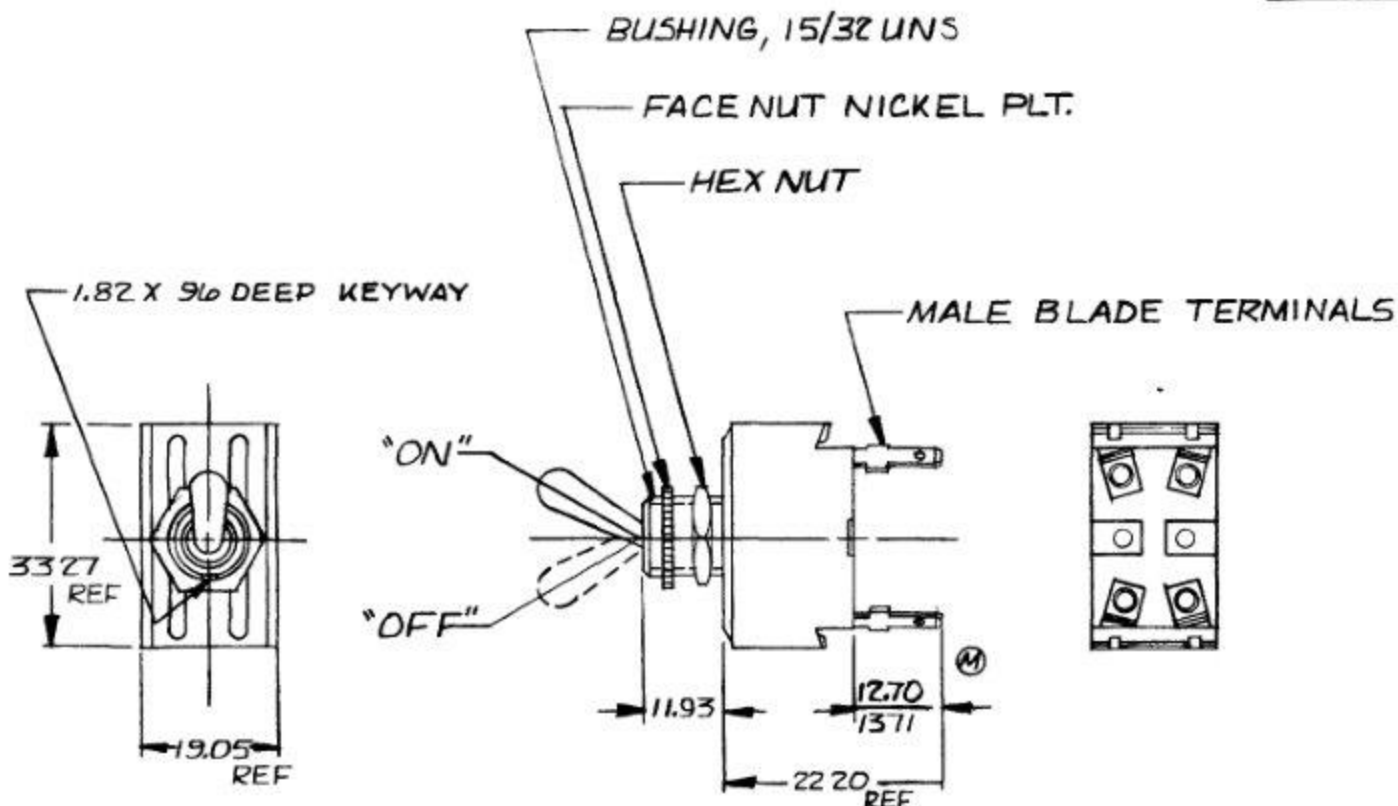
DO NOT SCALE

LET	WAS	DATE	BY	LET	WAS	DATE	BY	MATERIAL	DRAWN	CHECKED	APPR'D	SCALE	DATE DRAWN
								—//—	W	A	R	1X	8-31-84
								FINISH	 W.D. COLBY AVENUE BRIDGE BOSTON MA 02134-1027				DATE BLUEPRINT
							—//—	TOLERANCES					TOGGLE SWITCH
								DECIMAL ±					
								METRIC ±					

CH-188(4-78)

55017

MM	IN
.25	.010
.96	.038
1.82	.072
11.93	.470
12.70	.500
13.71	.540
13.05	.750
22.20	.874
33.27	1.310



25 AMPS 12VDC

NOTE  
 Ⓜ SILVER CONTACT SURFACES

METRIC

DO NOT SCALE

LET	WAS	DATE	BY	LET	WAS	DATE	BY	MATERIAL	DRAWN	CHECKED	APPR'D	SCALE	DATE DRAWN
								H	GS	RJA		1 1	8-21-56
								FINISH					DATE BLUEPRINT
				N	ADD NOTE/25932	7/13/93	TJH						
				M	REV TERMS	1-7-82	Ⓜ	TOLERANCES					
				L	REV & REDRAWN	4-16-88	Ⓜ	DECIMAL ±					
								METRIC ± .25	D.P.-S.T. OFF-ON TOGGLE SW.				55017

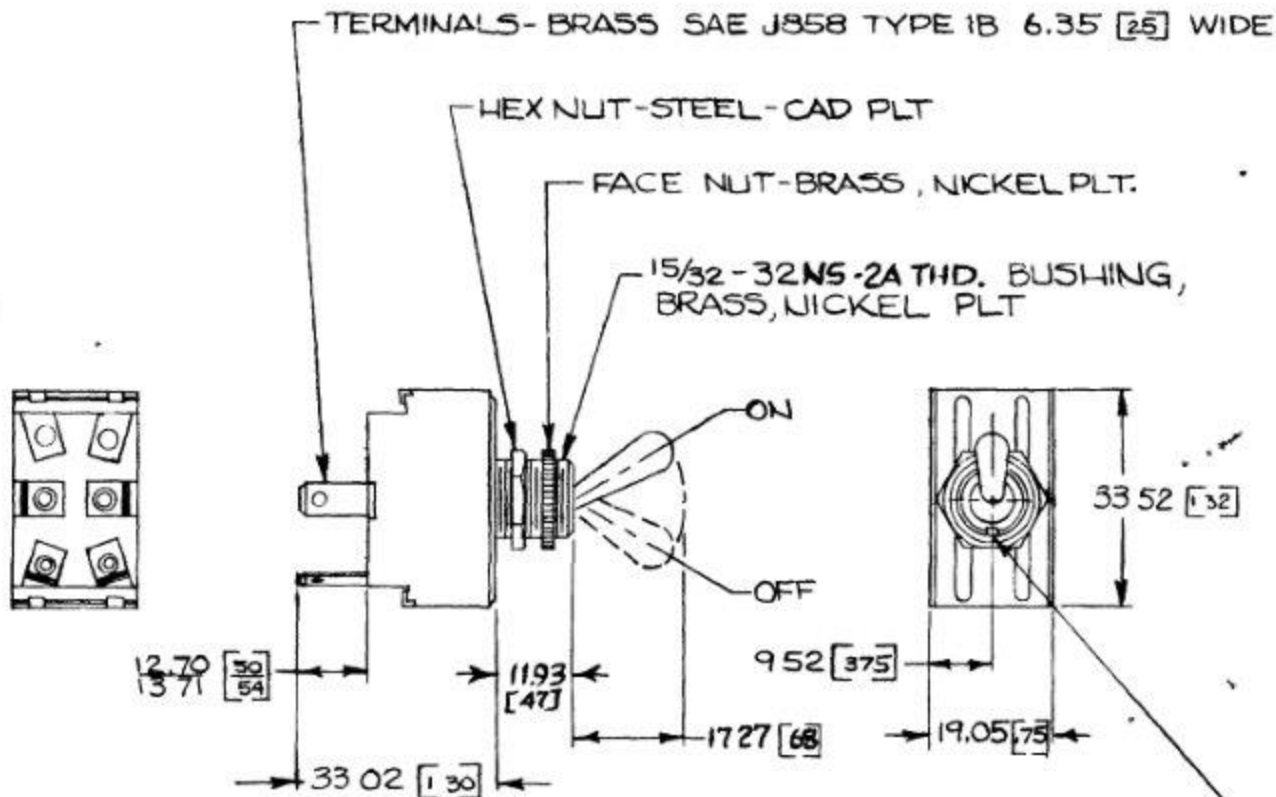
**CH** Cole Hersee Co.  
INCORPORATED IN SOUTH CAROLINA 1922

CH 188(4 78)

COLE-HERSEE CO. NPM 11-10-75

EX-17265

55017-02



DIMENSIONS MILLIMETERS [INCHES]

25 AMPS @ 12 V DC

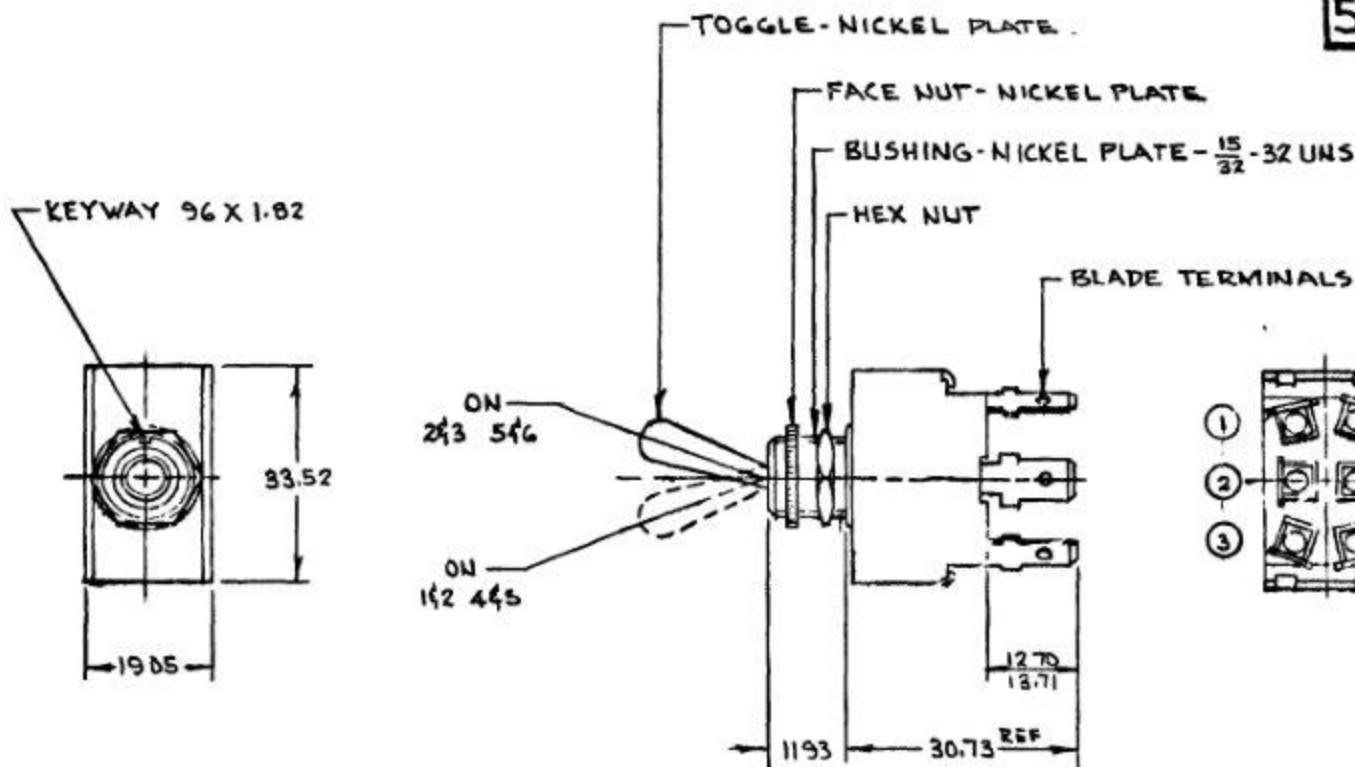
NOTE  
 1" O-RING SEALED (NEOPRENE)  
 (A) 2 SILVER CONTACT SURFACES

DO NOT SCALE

LET	WAS	DATE	BY	LET	WAS	DATE	BY	MATERIAL	DRAWN	CHECKED	APPRV D	SCALE	BASIC, EXCEPT O-RING SEALED	DATE DRAWN
								<del>---</del>	JW	TH		1=1		10-16-75
								FINISH	<b>COLE-HERSEE COMPANY</b> BOSTON, MASS 02127, U.S.A.					DATE BLUEPRINT
							<del>---</del>							
				A		ADD NOTE / 25932	11/73	JH	DPST, OFF-ON TOGGLE SWITCH					55017-02
						ISSUED	11/8/75							
								TOLERANCES FRACTIONAL ± DECIMAL ± 0.10						

MM	IN
.50	.020
1.27	.050
1.27	.050
11.93	.470
12.70	.500
13.71	.540
19.05	.750
25.40	1.000
31.75	1.250

55018



NOTE

(H) SILVER CONTACT SURFACES

METRIC

25AMPS @ 12V DC LAMP LOAD

DO NOT SCALE

LET	WAS	DATE	BY	LET	WAS	DATE	BY	MATERIAL	DRAWN	CHECKED	APPROVED	SCALE	DATE DRAWN
								—	GS	H		1:1	8-21-56
								FINISH					DATE BLUEPRINT
								TOLERANCES					<b>TOGGLE SWITCH DPDT</b>
								DECIMAL ±					
								METRIC ±0.25					

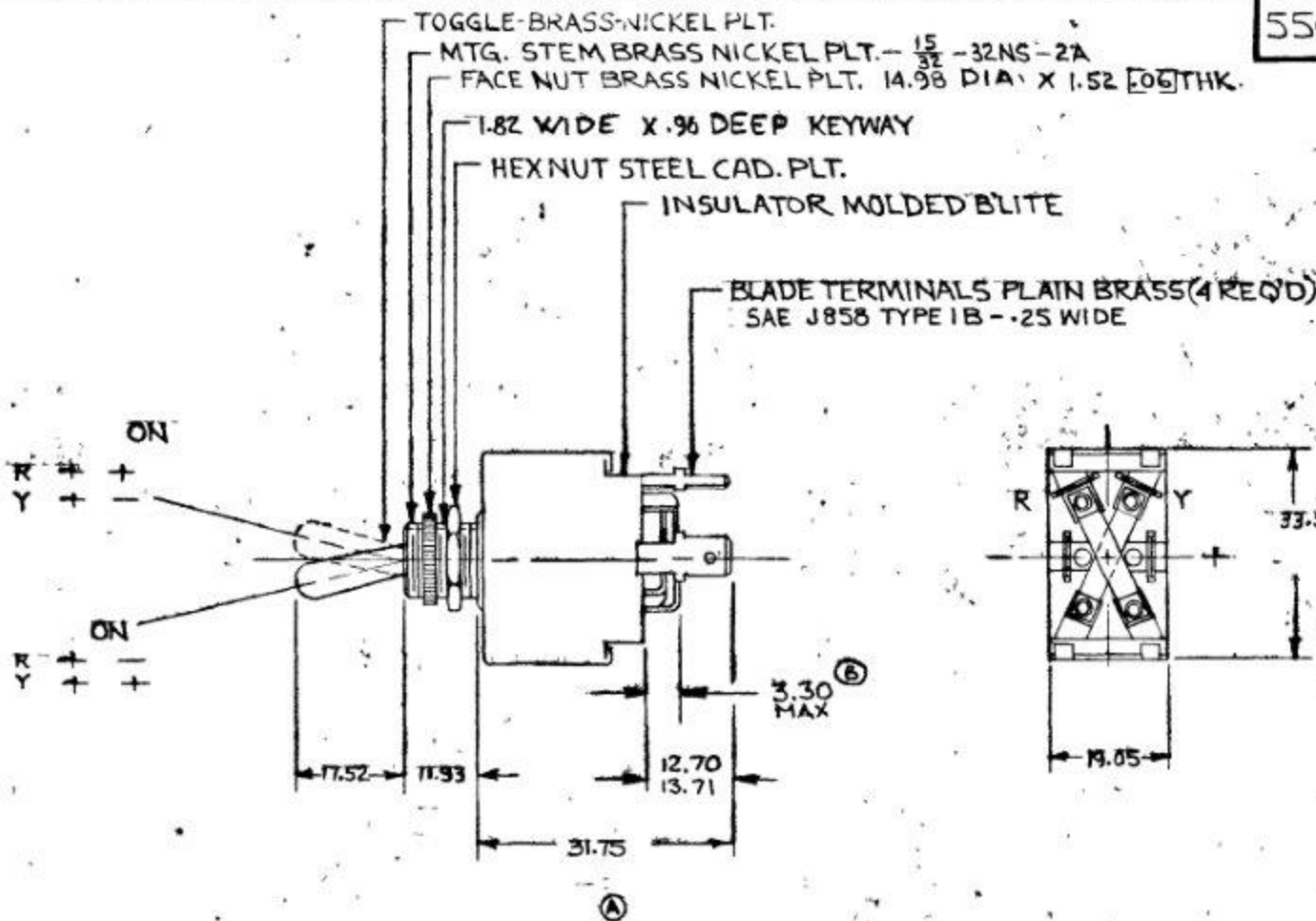
CH-188(4-78)



COLE-HERSEE CO. NPM. 9-22-75

EX. 15740 & 17361

55018-01



DO NOT SCALE

LET	WAS	DATE	BY	LET	WAS	DATE	BY	MATERIAL	DRAWN	CHECKED	APPR'D	SCALE	DATE DRAWN
								H	KG			FULL	9-2-75
								FINISH	COLE-HERSEE COMPANY				DATE BLUEPRINT
				B	ECN24267	1-31-75	AP		BOSTON, MASS 02127, U.S.A.				
				A	REV/19190	10-14-75	KG	TOLERANCES	REVERSING SWITCH				55018-01
					ISSUED	9-24-75	AF	FRACTIONAL ±					
								DECIMAL ±					

SPAULDING CO., INC 21-55259

55019

TERMINAL, BRASS - SAE-J858 TYPE 1B - 0.35 WIDE

INSULATOR, BAKELITE

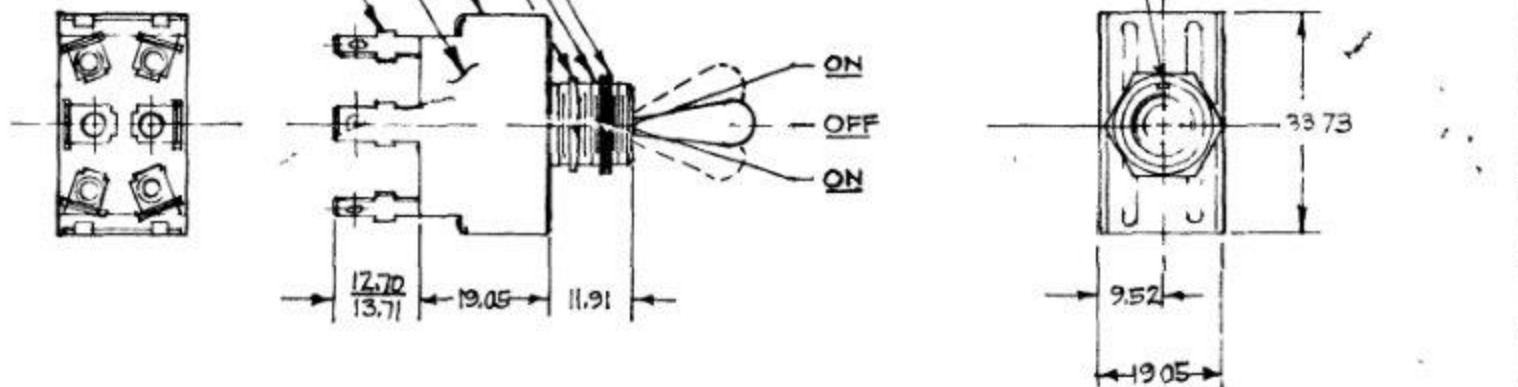
CASE, STEEL, CAD. PLT.

HEX NUT, STEEL, CAD. PLT.

BUSHING, STEEL, NICKEL PLT.  $\frac{15}{32} \times 32$  TH'D.

FACE NUT, STEEL, NICKEL PLT., 14.96 D. X 1.52 TH'K.

.96 DEEP X 1.88 KEYWAY



NOTE

⑥ SILVER CONTACT SURFACES

METRIC

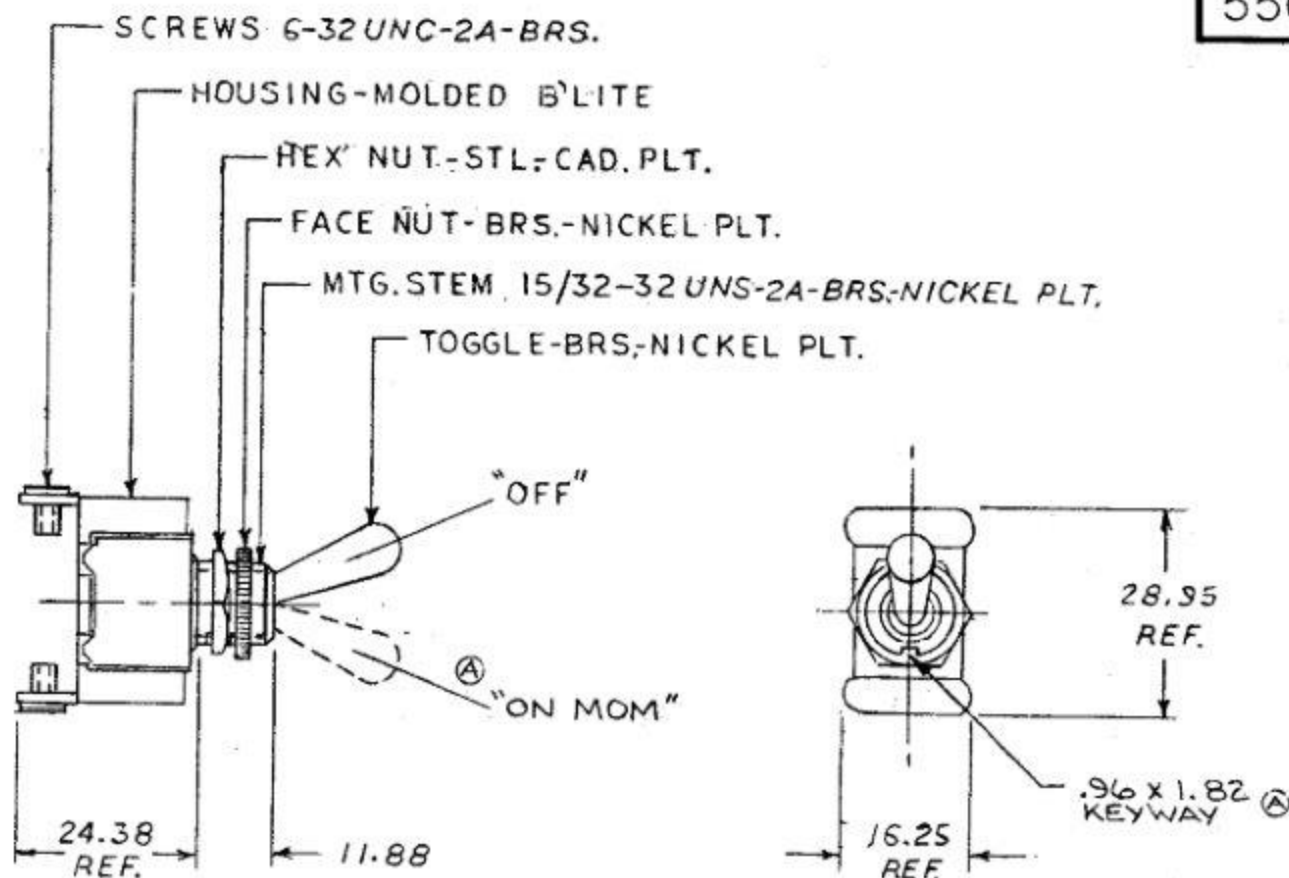
25 AMPS @ 12V DC

DO NOT SCALE

LET	WAS	DATE	BY	LET	WAS	DATE	BY	MATERIAL NOTED	DRAWN	CHECKED	APPR'D	SCALE	DATE DRAWN
									GG	TY		FULL	8-21-56
								FINISH	COLE-HERSEE COMPANY				DATE BLUEPRINT
								TOLERANCES	BOSTON, MASS 02127, USA				
				B	ADD NOTE/25A32	7/14/93	T.H.	FRACTIONAL $\pm$	D.P.D. TOGGLE SWITCH				55019
				A	WELD A.W.I. IN METRIC	6-6-77	R.	DECIMAL $\pm$ 25					

SPAULDING CO INC 21 5353

55020-02

METRIC

## NOTE:

- 1) NEOPRENE O-RING SEAL AT MTG STEM
- 2) ALL STEEL PARTS EITHER ZINC PLT. DICHROMATE DIP OR CAD. PLT.

ⓐ 3) SILVER CONTACT SURFACES

Confidential Property of Cole Hersee

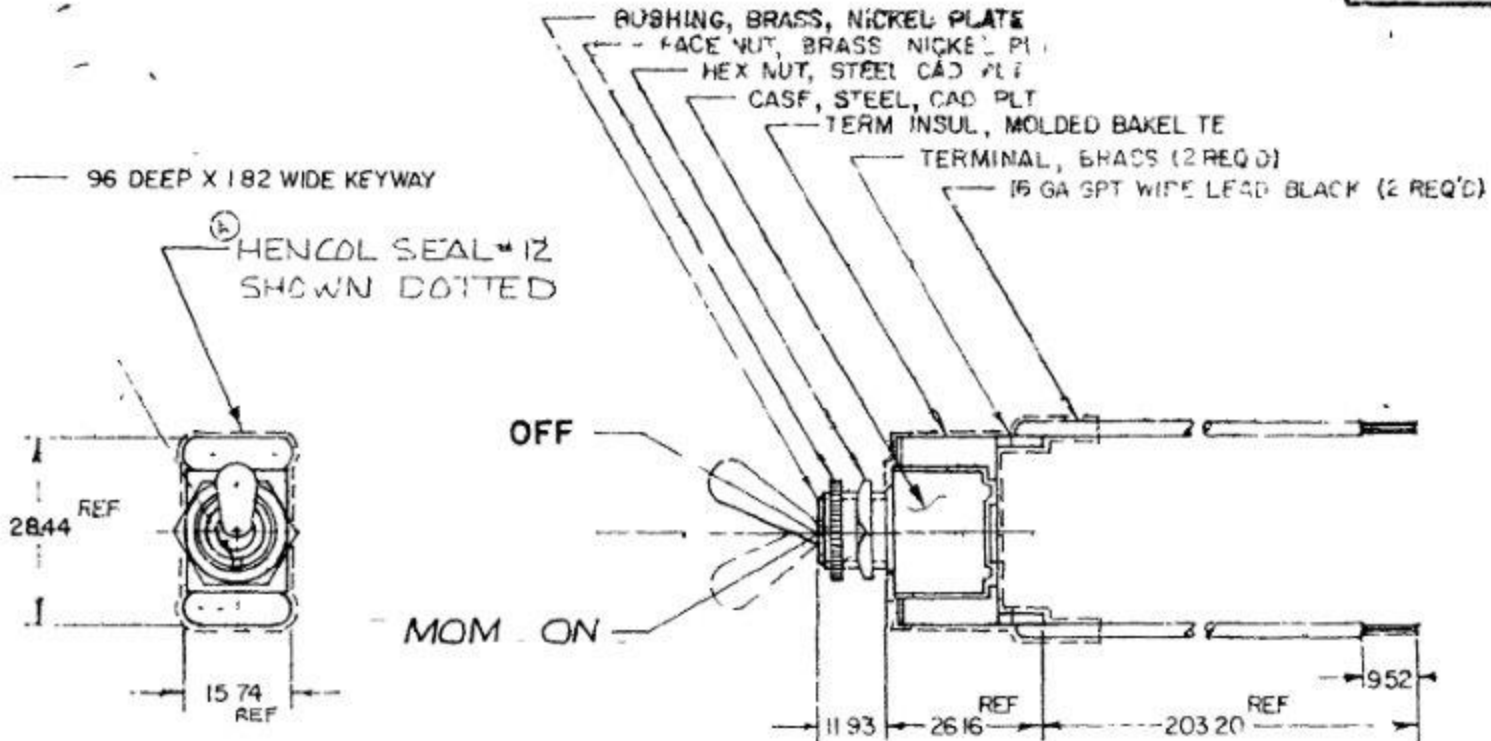
DO NOT SCALE

ET	WAS	DATE	BY	LET	WAS	DATE	BY	MATERIAL	DRAWN	CHECKED	APPR'D.	SCALE	BASIC WITH O-RING SEAL	DATE DRAWN
								#	EA	9-24-76		1=1		9-22-76
								FINISH	<b>COLE-HERSEE COMPANY</b> BOSTON, MASS. 02127, U.S.A.					DATE BLUEPRINT
				B	ADD NOTE/25432	9/15/73	TJ1		<b>TOGGLE SW.</b>					55020-02
				A	ECN 23559	6-30-87	MZ	TOLERANCES FRACTIONAL ± DECIMAL ±0.25						
					ISSUED	7-25-86	AF							

MM	IN
0.25	.010
0.96	.038
1.82	.072
11.88	.468
16.25	.640
17.44	.687
24.38	.960
28.95	1.140

55020-04

MM	IN
1.25	.010
1.96	.031
1.82	.072
9.82	.373
11.93	.470
15.74	.620
26.16	1.033
23.44	1.120
203.20	8.000



NOTE  
 1 NEOPRENE O RING SEALED  
 (A)

**METRIC**

DO NOT SCALE

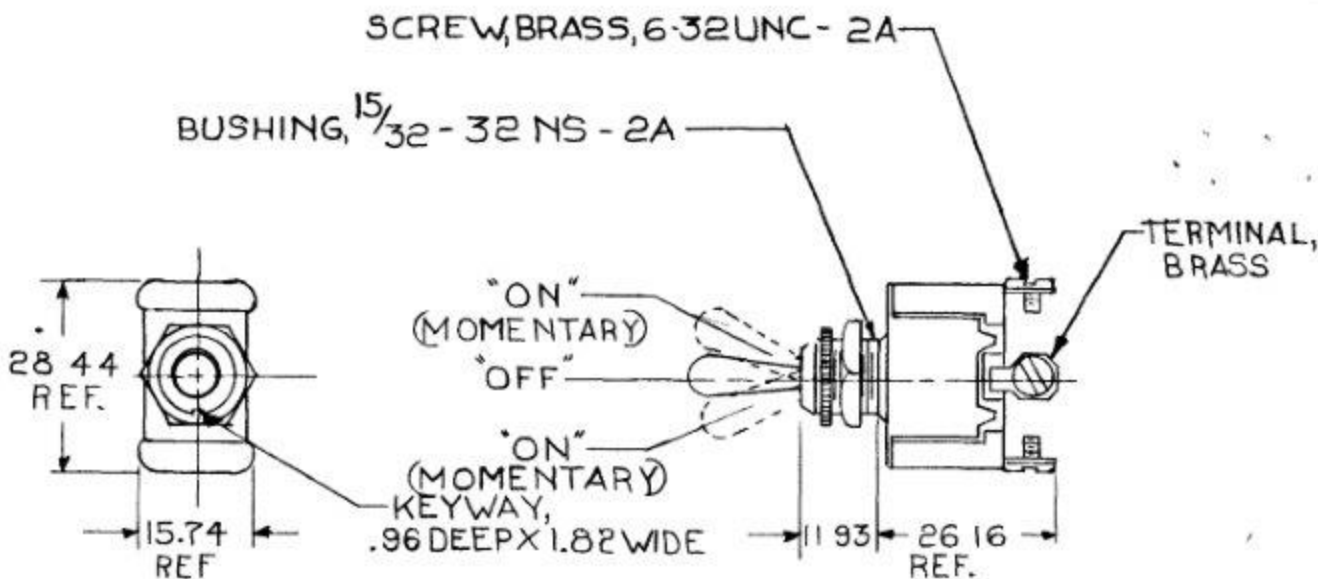
LET	WAS	DATE	BY	LET	WAS	DATE	BY	MATERIAL	DRAWN	CHECKED	APPRO'D	SCALE	DATE DRAWN
									PM	8379			7-27-79
								FINISH	Cole Hersee Co S.P.S.T. MOM TOGGLE SWITCH				DATE BLUEPRINT
				A	DELETED NOTE ADDED NOTE ISSUED	3-29-84 8-3-79	PR Y	TOLERANCES DECIMAL ± .01 METRIC =					55020-04

CH 188(4 78)

MM-IN  
 .96 - 038  
 1.52 - 060  
 1.82 - 072  
 11.93 - 470  
 14.98 - 590  
 15.74 - 620  
 26.16 - 1.030  
 28.44 - 1.120

55021

NOTE:  
 Ⓞ SILVER CONTACT SURFACES



METRIC

RATING: 25A @ 12V DC  
 10A @ 24V DC

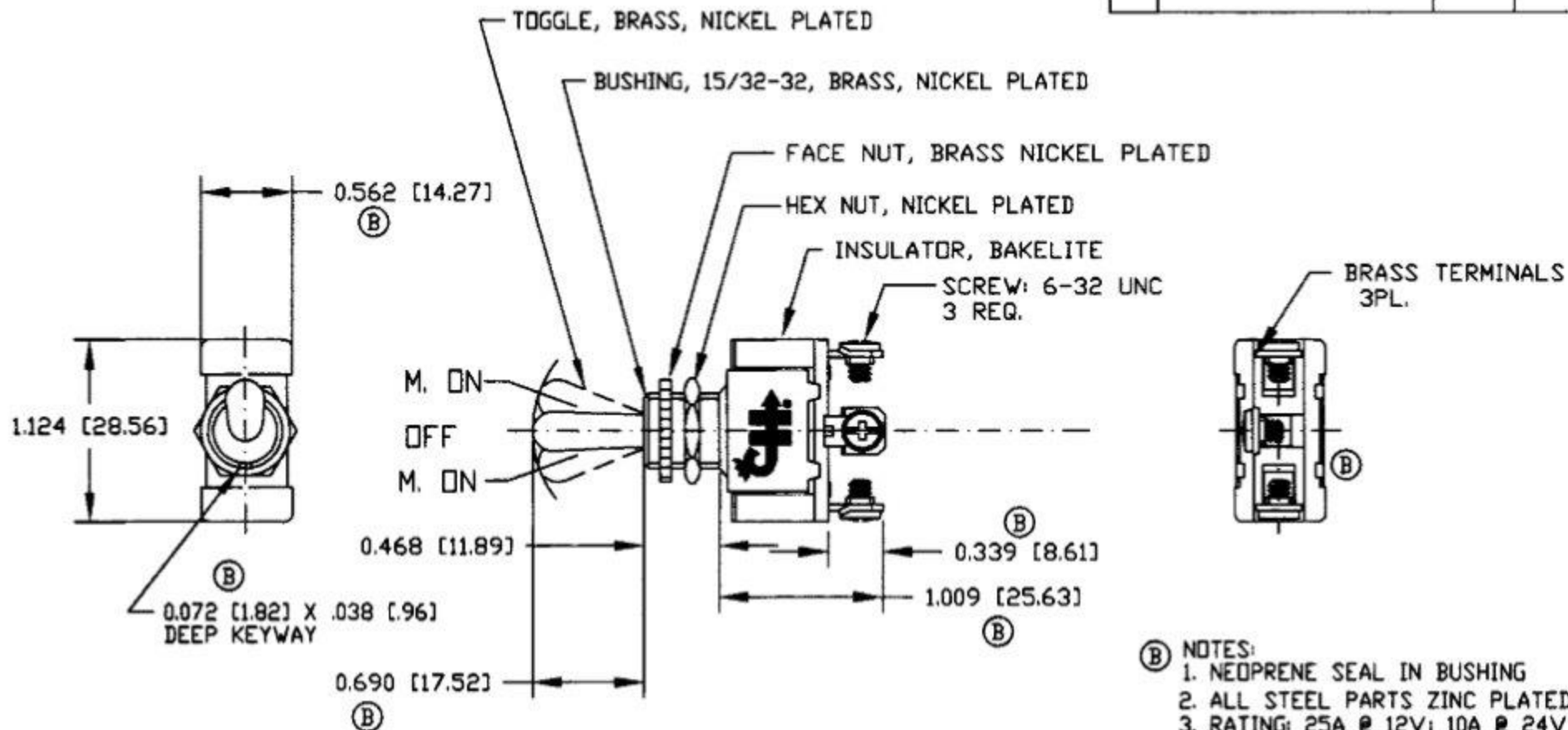
DO NOT SCALE

LET	WAS	DATE	BY	LET	WAS	DATE	BY	MATERIAL	DRAWN	CHECKED	APPRVD	SCALE	DATE DRAWN
								+	WD	3-5-80		1:1	1-22-59
								FINISH	 COLE HERSEE CO 10 0000 1 1 12 50 80 100 W 2 2 2				DATE BLUEPRINT
				D	ADD NOTE 25432	9/15/92	TJH	TOLERANCES	SPDT TOGGLE SWITCH (MOMENTARY)				55021
				C	REDRAWN	1 11 80	DS	DECIMAL ± METRIC ±					

CH 188(4 78)

### Revision Control Record

Rev.	Description of Change	ECN No.	Date
B	PUT ON CAD	06001	012/27/05



- ⓑ NOTES:
1. NEOPRENE SEAL IN BUSHING
  2. ALL STEEL PARTS ZINC PLATED
  3. RATING: 25A @ 12V; 10A @ 24V
  4. ALL DIMENSIONS ARE REFERENCE

**Tolerances:** Unless otherwise specifically noted, the following are default tolerances:

- 2-place Decimal Dimensions  $\pm .02"$
- 3-place Decimal Dimensions  $\pm .005"$
- Angular Dimensions  $\pm 1.0$  Deg.
- Metric: Refer to equivalent English Dimension Tolerance
- >>> NOTE: All tolerances are *Max-Consumable*.

**Dimensional Units:** All dimensions are expressed in inches except those shown in brackets (xxx) are expressed in millimeters

"NEE" or an Associate Co. = Non-Toleranced Reference Dimension, shown for identification purposes only.

**PROPRIETARY INFORMATION:** This Engineering Drawing, and the information contained herein, is proprietary to Cole Hersee Company and may not be disclosed, reproduced, or in any other way transmitted or communicated to any other party without the express written consent of an authorized representative of Cole Hersee Company.

**DESIGN CONTROL:** It is the responsibility of the individual using / referencing this drawing to assure that the noted design revision level agrees with the revision level of the Controlled Document (Master Drawing). This is a NON-CONTROLLED DOCUMENT unless otherwise specifically noted.

**DO NOT SCALE:** Dimensional variation may occur during printing / reproduction.

#### Special Characteristics



Critical Characteristic, relating to Safety and/or Regulatory Compliance



Significant Characteristic relating to Process Control (SPC)



Key Characteristic relating to Form - Fit - Function as defined by Cole Hersee Company and/or the Customer

(Note that the identification of any Characteristic as being "Special" does not alter the requirement that ALL specified dimensions & tolerances must be met.)



**Cole Hersee Co.**

20 Old Colony Ave., South Boston, MA, 02127  
 Fax 617-388-2100 Web www.colehersee.com

Description:

**SWITCH, TOGGLE . SPDT  
 M.ON-OFF-M.ON**

Drawing/  
 Part No.:

**55021-04**

Current Rev.

**B**

Used On: EX17289,  
 or Ref: EX17846

Scale: **1:1**

Drawn By: **DPS**

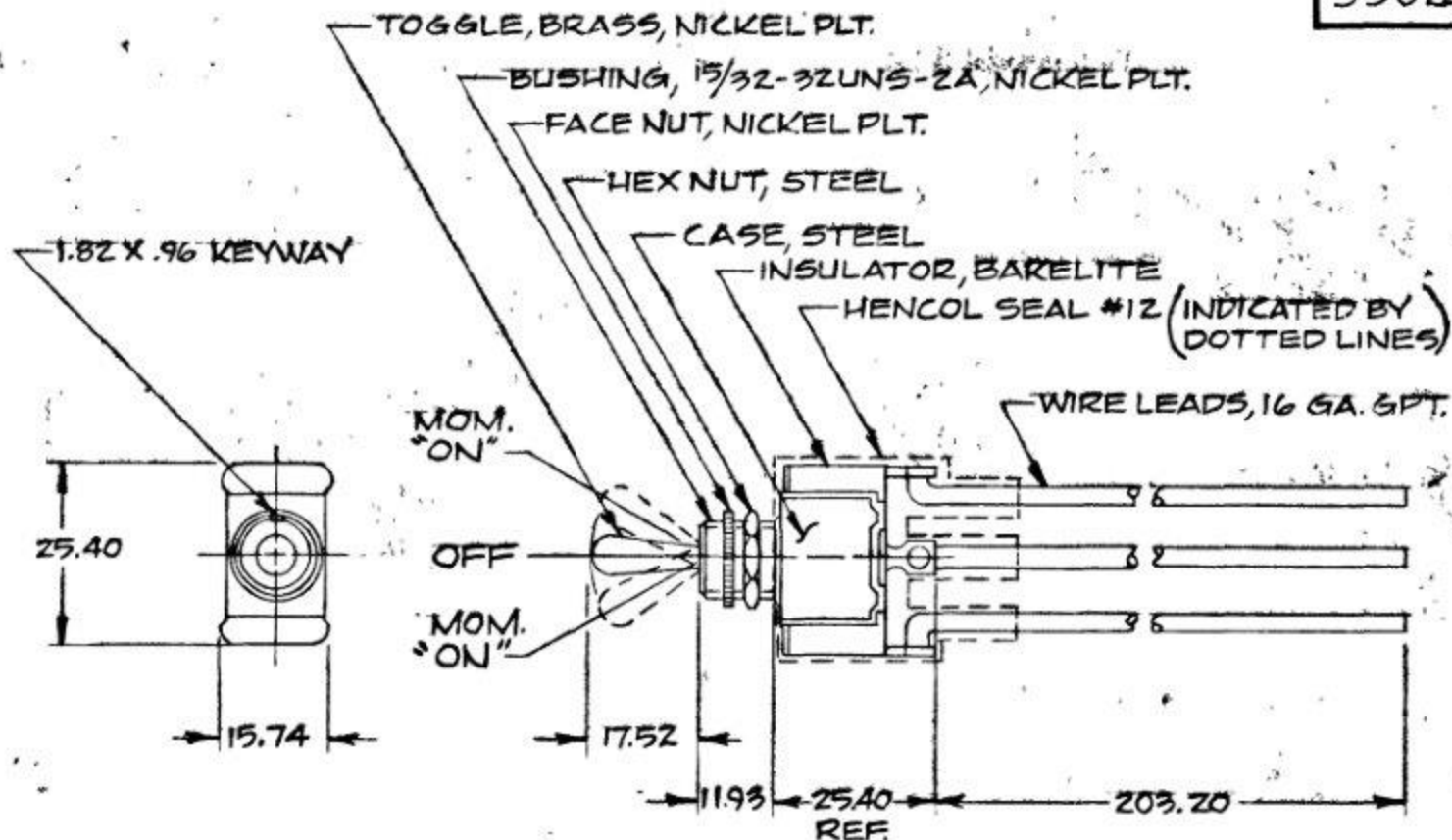
Date Drawn: **5/27/82**

Responsible Engineer: **G.AUGUSTE**

Pg. 1 of 1

55021-07

MM.	IN.
25	.98
46	.035
1.82	.072
11.93	.470
15.74	.620
17.92	.690
25.40	1.000
38.44	1.120
50.20	2.000



## NOTES:

1. O-RING SEAL IN BUSHING
2. ALL STEEL PARTS EITHER ZINC PLT. DICHROMATE DIP OR CAD. PLT.

METRIC

DO NOT SCALE

LET	WAS	DATE	BY	LET	WAS	DATE	BY	MATERIAL	DRAWN	CHECKED	APPR'D	SCALE	BASIC - 06 W/S LEADS, PVC COATED, FACE NUT & HEX NUT ASSEMBLED.	DATE DRAWN
								#	KG	17		1:1		3-17-77
								FINISH	COLE-HERSEE COMPANY					DATE BLUEPRINT
								TOLERANCES	BOSTON, MASS 02127, U.S.A.					
								FRACTIONAL ±	S.P.D.T. TOGGLE SW.					55021-07
								DECIMAL ±.25						

COLE-HERSEE CO.  
NFM 3-30-77  
731-6  
EX-17874

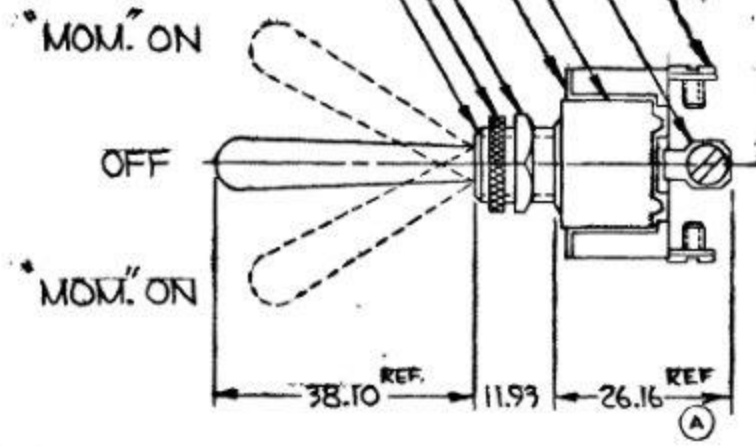
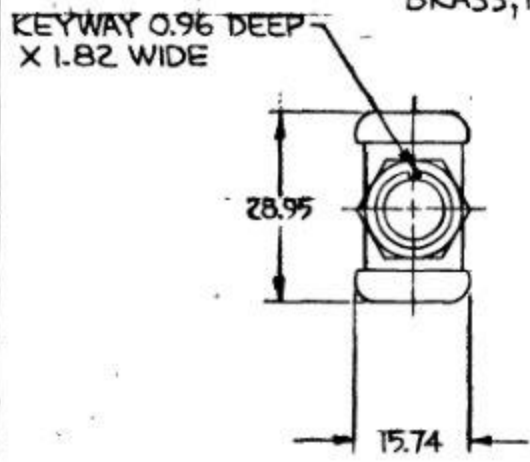
55021-08

MILS	IN.
0.25	.010
0.96	.038
1.52	.060
1.82	.072
1.93	.470
14.98	.598
15.74	.620
26.16	1.030
28.93	1.140
38.10	1.500

EX-18119

COLE-HERSEE CO.  
NPM

- SCREW, BRASS, 6-32 UNC-2A THD. (3 REQ'D)
- TERMINAL, BRASS (3 REQ'D)
- CASE, STEEL, CAD. PLT.
- INSULATOR, BAKELITE
- HEX-NUT, STEEL, CAD. PLT.
- FACE NUT, BRASS, NICKEL PLT.  
14.98 DIA. X 1.52 THK.
- MTG. STEM,  $\frac{15}{32}$ -32 UNS-2A  
BRASS, NICKEL PLT.



NOTE  
 (A) SILVER CONTACT SURFACES

METRIC

25 AMP-14 VOLT D.C.

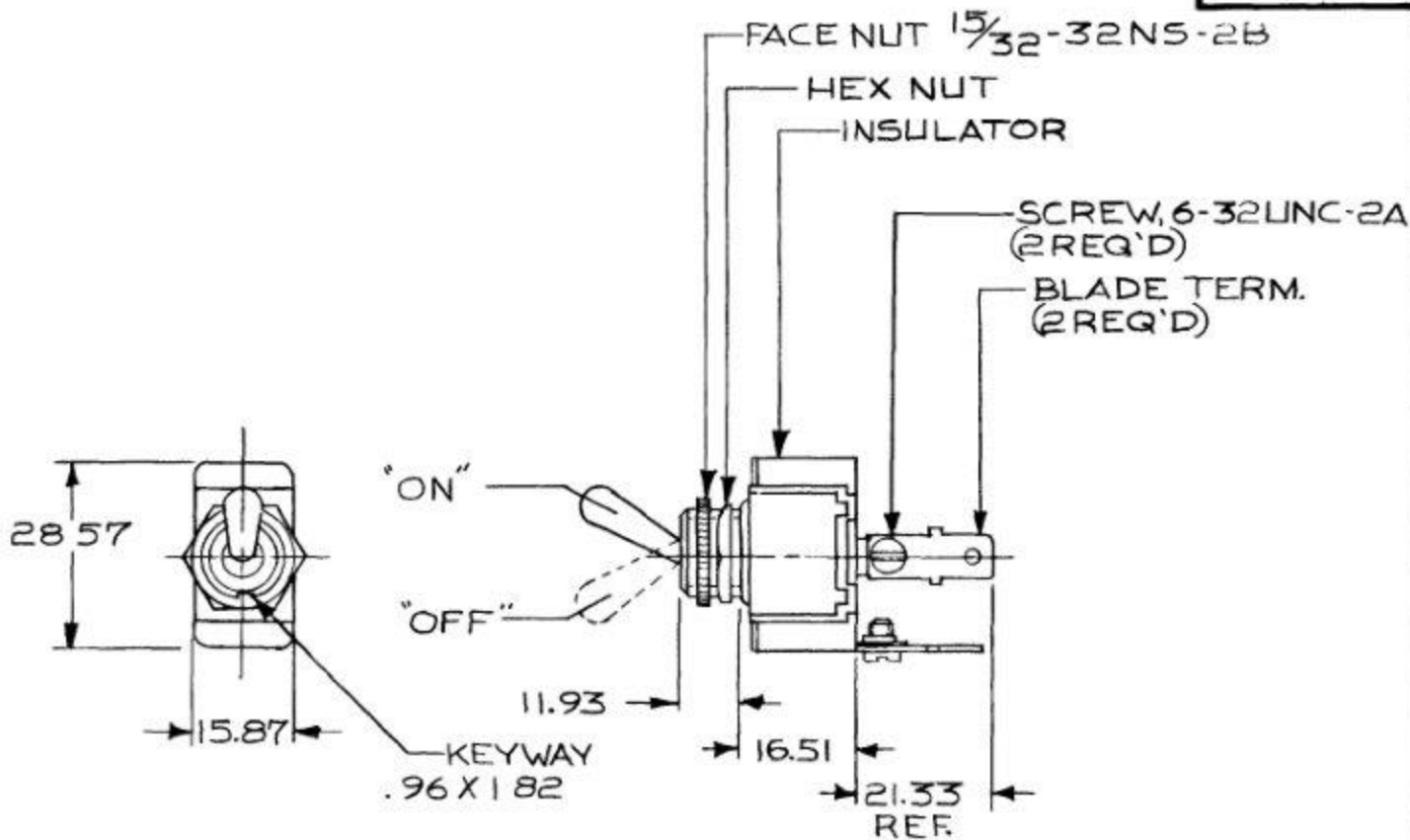
DO NOT SCALE

LET	WAS	DATE	BY	LET	WAS	DATE	BY	MATERIAL	DRAWN	CHECKED	APPR'D	SCALE	BASIC, WITH 1/2	DATE DRAWN	
								—H—	VK	RY		1:1	LONG BAT HANDLE	3-29-78	
								FINISH	<b>COLE-HERSEE COMPANY</b> BOSTON, MASS. 02127, U.S.A.					DATE BLUEPRINT	
				B	AND NOTE/25432	11/17/73	R.H.	—H—							
				A	ENV TEL/MAL	20420	12 26 78	R.P.	TOLERANCES	<b>TOGGLE SWITCH</b>					55021-08
					ISSUED	4-6-78	R.P.	FRACTIONAL ±							
								DECIMAL ±0.25							



MM IN  
 .25 .010  
 .96 038  
 1.82 072  
 11.93 470  
 16.51 650  
 15.87 625  
 21.33 840  
 28.57 1125

55023



NOTE:  
 RATING: 15AMP @ 12V

METRIC

DO NOT SCALE

LET	WAS	DATE	BY	LET	WAS	DATE	BY	MATERIAL	DRAWN	CHECKED	APPR'D	SCALE	DATE DRAWN
								— # —	MM	827-80		1:1	5-28-59
								FINISH	 39 OLD COLONY AVENUE SOUTH WESTON, MA 01477				DATE BLUEPRINT
								— # —					
								TOLERANCES	S.P.S.T. TOGGLE SW				55023
								DECIMAL ±					
								METRIC ± .25					

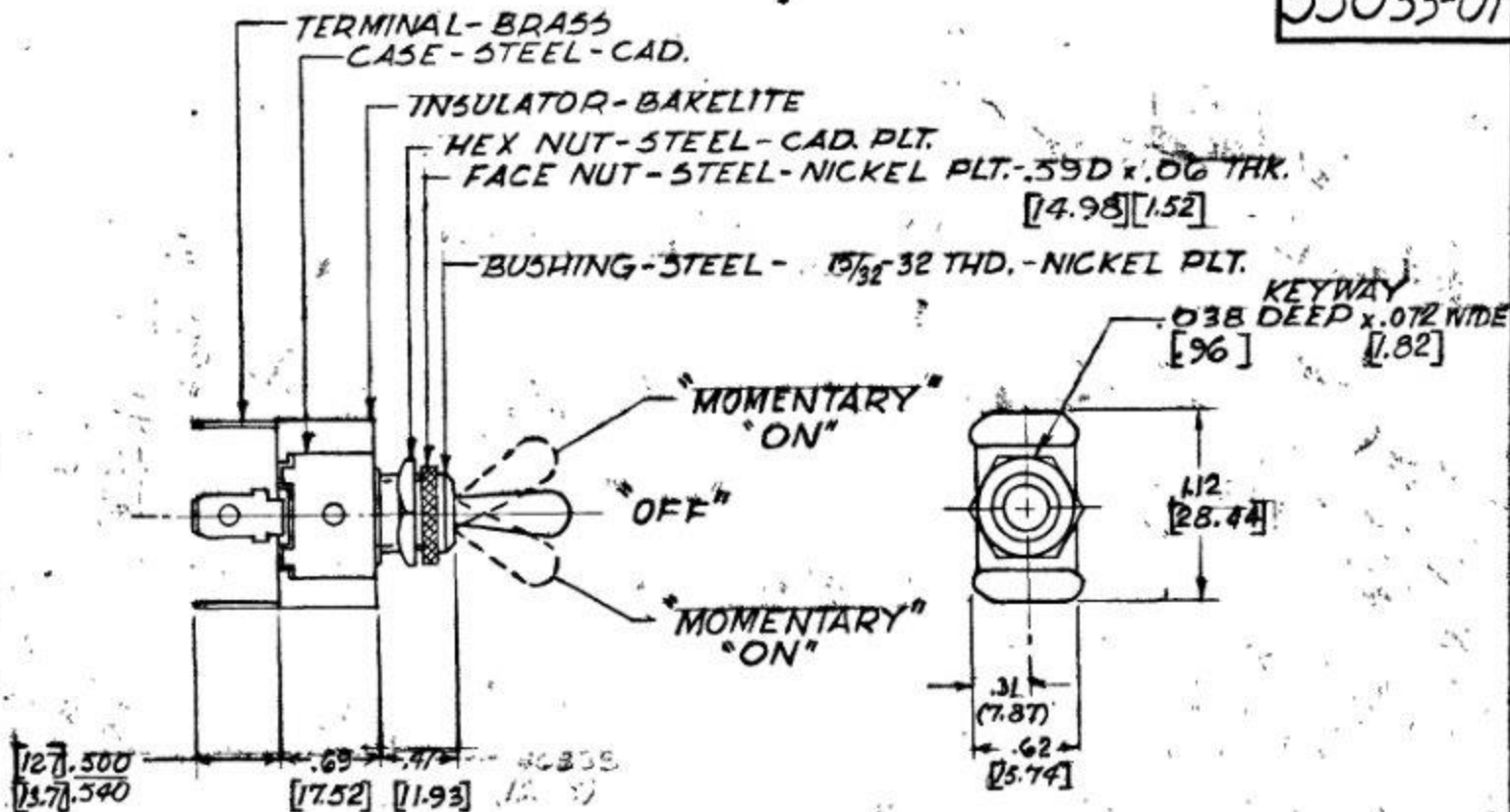
CH-188(4-78)

SCREW  
55021

NFM 1-14-7

COLE-HERSEE CO.

55033-01



NOTE

① SILVER CONTACT SURFACES

25 AMP - 14 VOLT D.C.

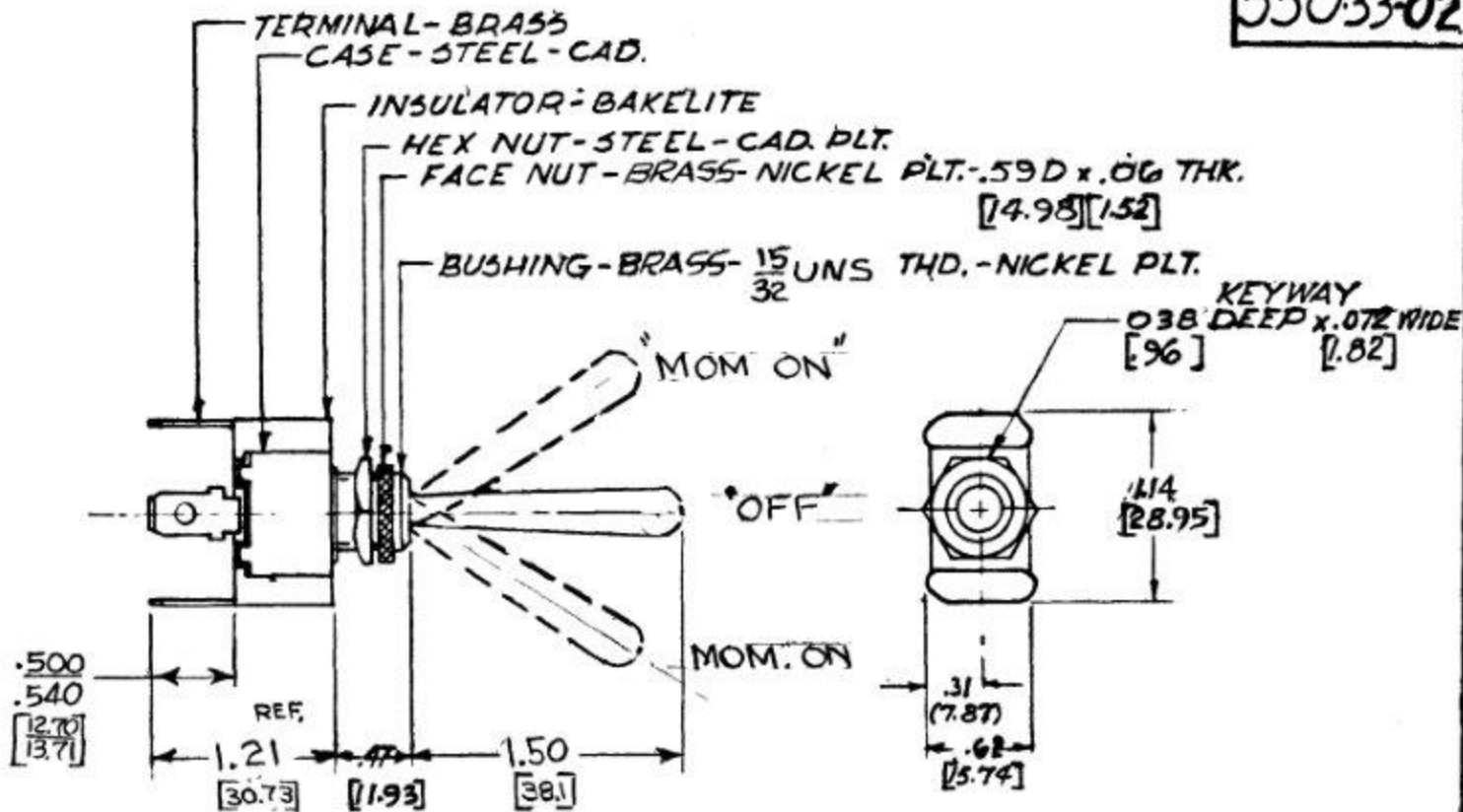
DO NOT SCALE

LET	WAS	DATE	BY	LET	WAS	DATE	BY	MATERIAL	DRAWN	CHECKED	APPROV'D	SCALE	DATE DRAWN
									S.B.	9/15/74		FULL	DEC 5, 1973
								FINISH	COLE-HERSEE COMPANY				DATE BLUEPRINT
								TOLERANCES	BOSTON, MASS 02127, U.S.A.				
				A	ADD NOTE / 25A32	9/15/73	TJA	FRACTIONAL ±	TOGGLE SWITCH				55033-01
					ISSUED	1-16-74		DECIMAL ±					

COLE-HERSEE CO. NPM 11-5-75

EX17418

55033-02



NOTE

① SILVER CONTACT SURFACES

25 AMP - 14 VOLT D.C.

DO NOT SCALE

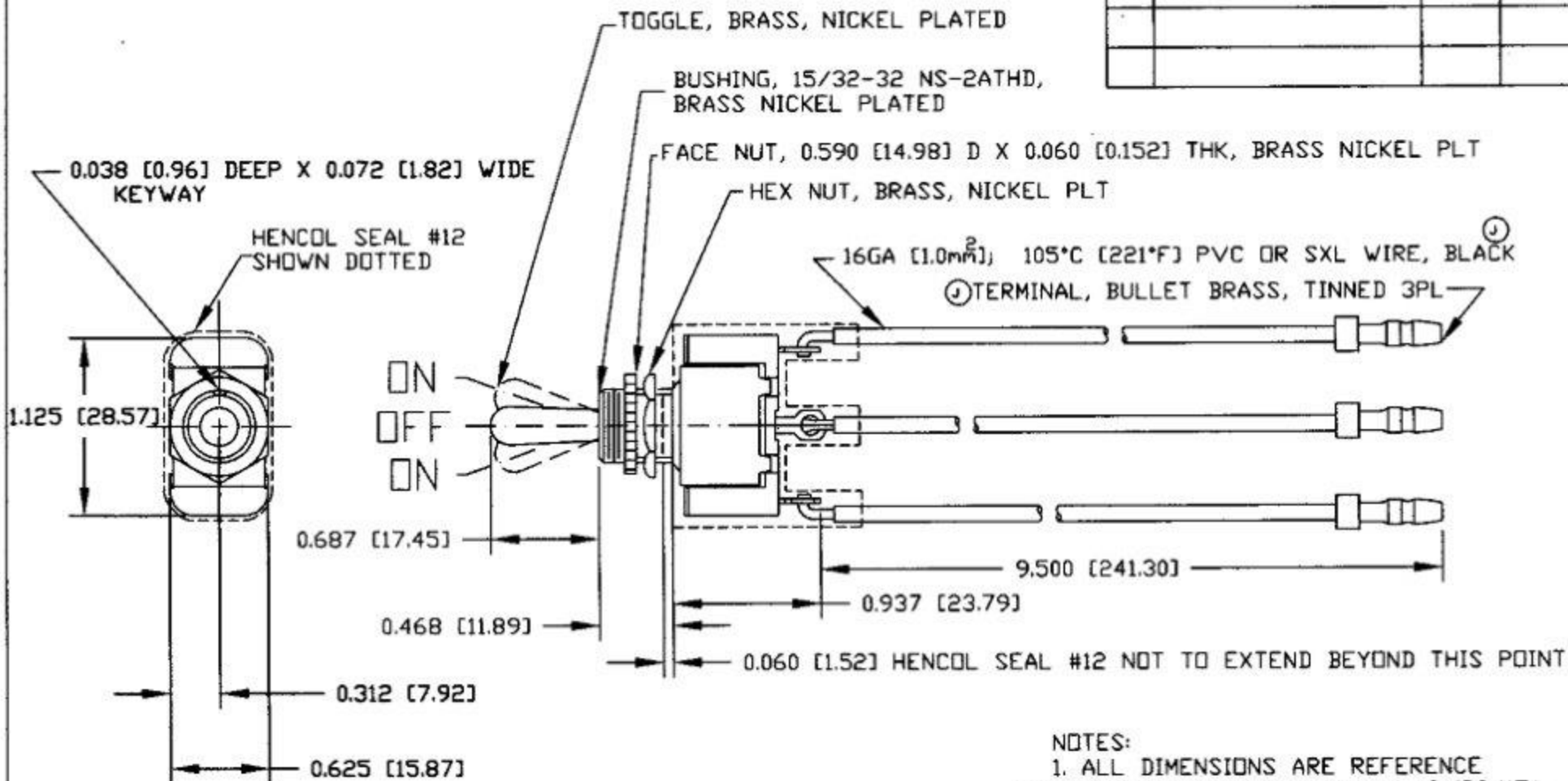
LET	WAS	DATE	BY	LET	WAS	DATE	BY	MATERIAL	DRAWN	CHECKED	APPROVD	SCALE	DATE DRAWN
								--	C.S.	11-14-75		FULL	11-10-75
								FINISH	COLE-HERSEE COMPANY				DATE BLUEPRINT
									BOSTON, MASS. 02127, U.S.A.				
				A		ADD NOTE/25932	9/15/93	TJH	TOLERANCES				
						ISSUED	11-18-75		FRACTIONAL ±				55033-02
									DECIMAL ±				

TOGGLE SWITCH

55033-02

**Revision Control Record**

Rev.	Description of Change	ECN No.	Date
J	NOTE CHANGE	04074	02/24/04



- NOTES:
1. ALL DIMENSIONS ARE REFERENCE
  2. CONSERVATIVE RATING, @ 12VDC/15A.
  3. O-RING SEAL IN MOUNTING STEM.

**Tolerances.** Unless otherwise specifically noted, the following are default tolerances:  
 \* 2-place Decimal Dimensions  $\pm .01$ "  
 \* 3-place Decimal Dimensions  $\pm .005$ "  
 \* Angular Dimensions  $\pm 1.0$  Deg.  
 \* Metric: Refer to equivalent English Dimension Tolerance  
 \*\*\* NOTE: All tolerances are Non-Cumulative. \*\*\*

**Dimensional Units.** All dimensions are expressed in inches except those shown in brackets (xxx) are expressed in millimeters

**"REF." or an Asterisk (\*).** = Non-Toleranced Reference Dimension, shown for identification purposes only.

**PROPRIETARY INFORMATION.** This Engineering Drawing, and the information contained herein, is proprietary to Cole Hersee Company and may not be disclosed, re-produced, or in any other way transferred or communicated to any other party without the express written consent of an authorized representative of Cole Hersee Company.

**DESIGN CONTROL.** It is the responsibility of the individual using/referencing this drawing to ensure that the noted design revision level agrees with the revision level of the Controlled Document (Master Drawing). This is a NON-CONTROLLED DOCUMENT unless otherwise specifically noted.

**DO NOT SCALE.** Dimensional variation may occur during printing/reproduction.

**Special Characteristics.**

- Critical Characteristic, relating to Safety and/or Regulatory Compliance
- Significant Characteristic relating to Process Control (SPC)
- Key Characteristic relating to Form - Fit - Function as defined by Cole Hersee Company and/or the Customer

(Note that the identification of any Characteristics as being "Special" does not alter the requirement that ALL specified dimensions & tolerances must be met.)

**Cole Hersee Co.**  
 20 Old Colony Ave., South Boston, MA, 02127  
 Phone 617-268-2100 Web www.colehersee.com

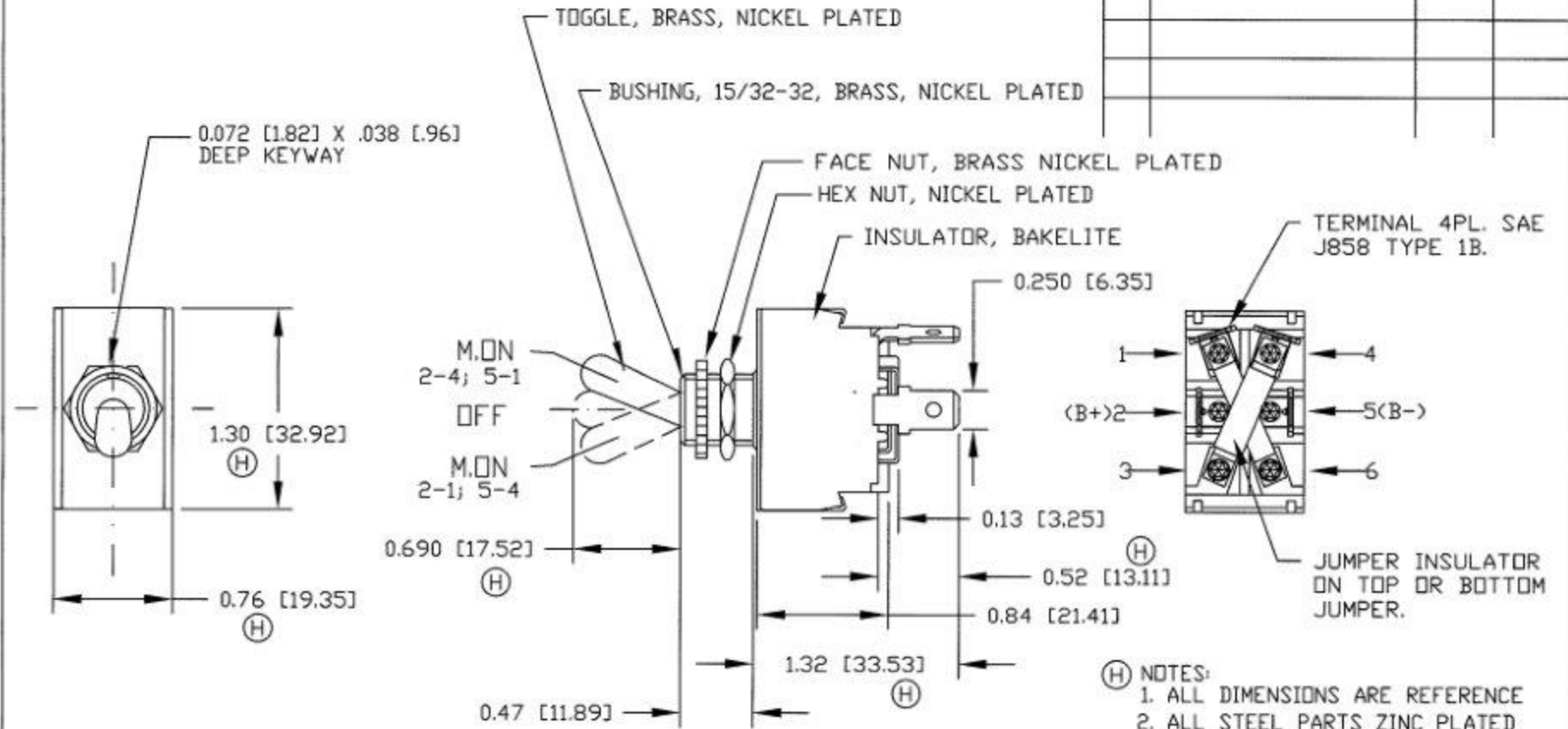
**Description:**  
**TOGGLE SWITCH, SPDT**

**Drawing/Part No.:** **55036**

**Current Rev.:** **J**

**Revision Control Record**

Rev.	Description of Change	ECN No.	Date
H	CONVERTED TO CAD	11131	04/21/11



Tolerances: Unless otherwise specifically noted, the following are default tolerances:  
**2-places +/- 0.02"**    **3-places +/- 0.005"**    **Angular +/- 1'**  
 Metric: Shown in [ ] refers to equivalent English Dim Tol  
 "REF." or an Asterisk (\*) = Non-Toleranced Reference Dimension, shown for clarification purposes only.  
 NOTE: All tolerances are Non-Cumulative.

**PROPRIETARY INFORMATION**  
 This Engineering Drawing, and the information contained herein, is proprietary to Cole Hersee Company and may not be disclosed, re-produced, or in any other way transferred or communicated to any other party without the express written consent of an authorized representative of Cole Hersee Company.

**Special Characteristics:**  
 (CC) Critical Characteristic, relating to Safety and/or Regulatory Compliance  
 (X) Significant Characteristic relating to Process Control  
 (KC) Control Dimension relating to Form - Fit - Function as defined by Cole Hersee Company and/or the Customer

**Cole Hersee Co.**  
 20 Old Colony Ave., South Boston, MA, 02127  
 Phn: 617-268-2100 Web: www.colehersee.com

**Description:** SWITCH, TOGGLE . DPDT  
 (H) M.ON-OFF-M.ON; FW-REV

FORM CHT-6 (207)

Used On or Ref.: XXXXXXXX

Scale: 1:1

Drawn BY: EA

Date Drawn: 4/7/65

Pg. 1 of 1

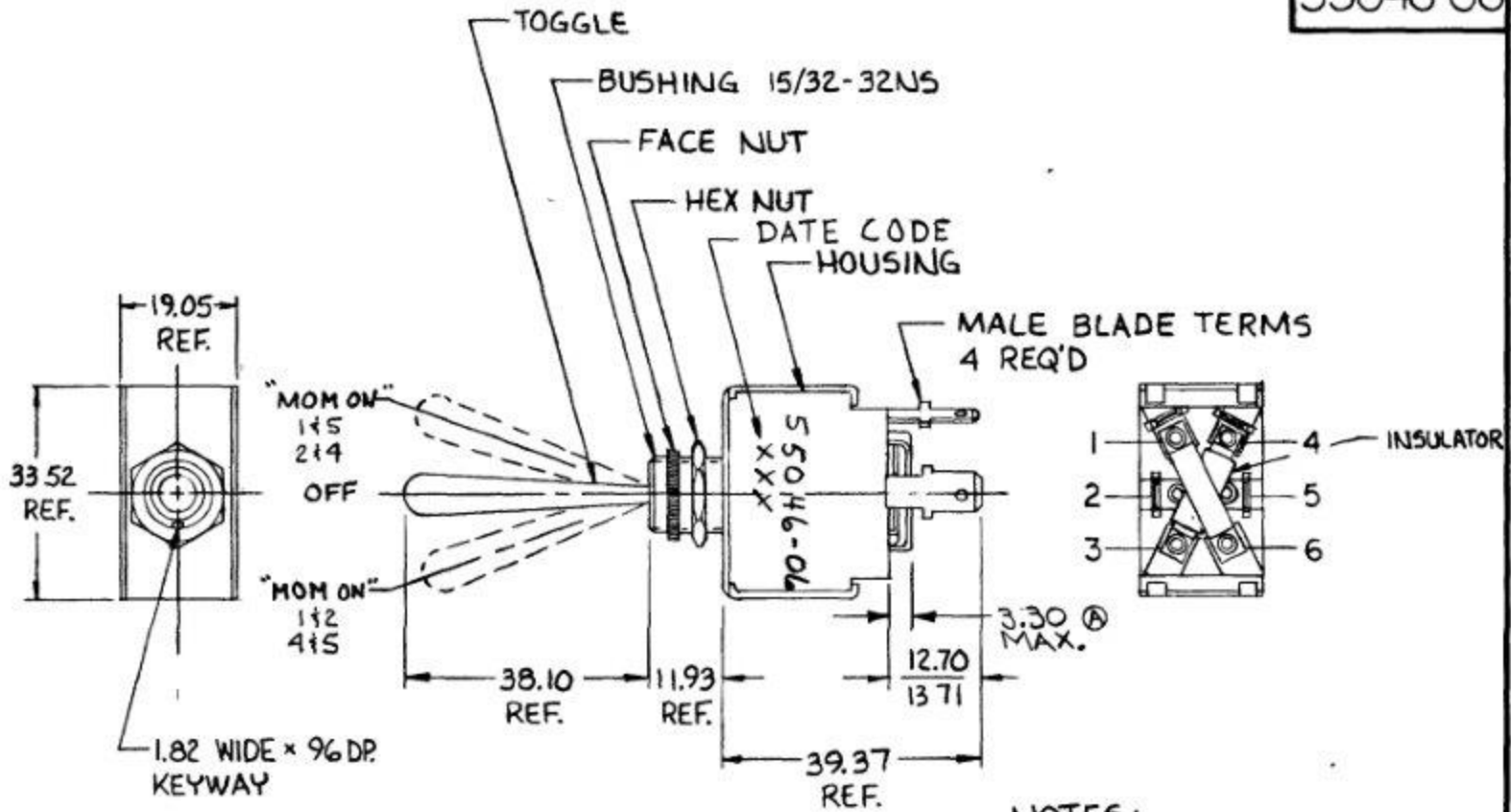
Drawing / Part No.:

**55046**

Current Rev. **H**

55046-06

MM	IN
25	010
96	038
1.82	072
11.93	.470
12.70	500
13.71	540
19.05	.750
33.52	1.320
38.10	1.500
39.37	1.550
3.30	.130



NOTES:  
 1. ALL STEEL PARTS PLATED.  
 2. 25 AMPS @ 12 V.D.C.  
 3. O-RING SEALED.

METRIC

DO NOT SCALE

LET	WAS	DATE	BY	LET	WAS	DATE	BY	MATERIAL	DRAWN	CHECKED	APPRV'D	SCALE	DATE DRAWN
								—	WB	RT		1:1	6-17-86
								FINISH	 Cole Hersee Co. <small>200 COLORADO AVENUE BOSTON, MA 02116</small>				DATE BLUEPRINT
								—					
				A	ADD 3.30 MAX	23407	2-5-87	1/2	TOLERANCES DECIMAL ± METRIC ±.25				55046-06
					ISSUED		10/28/86	AF	REVERSING SW.				

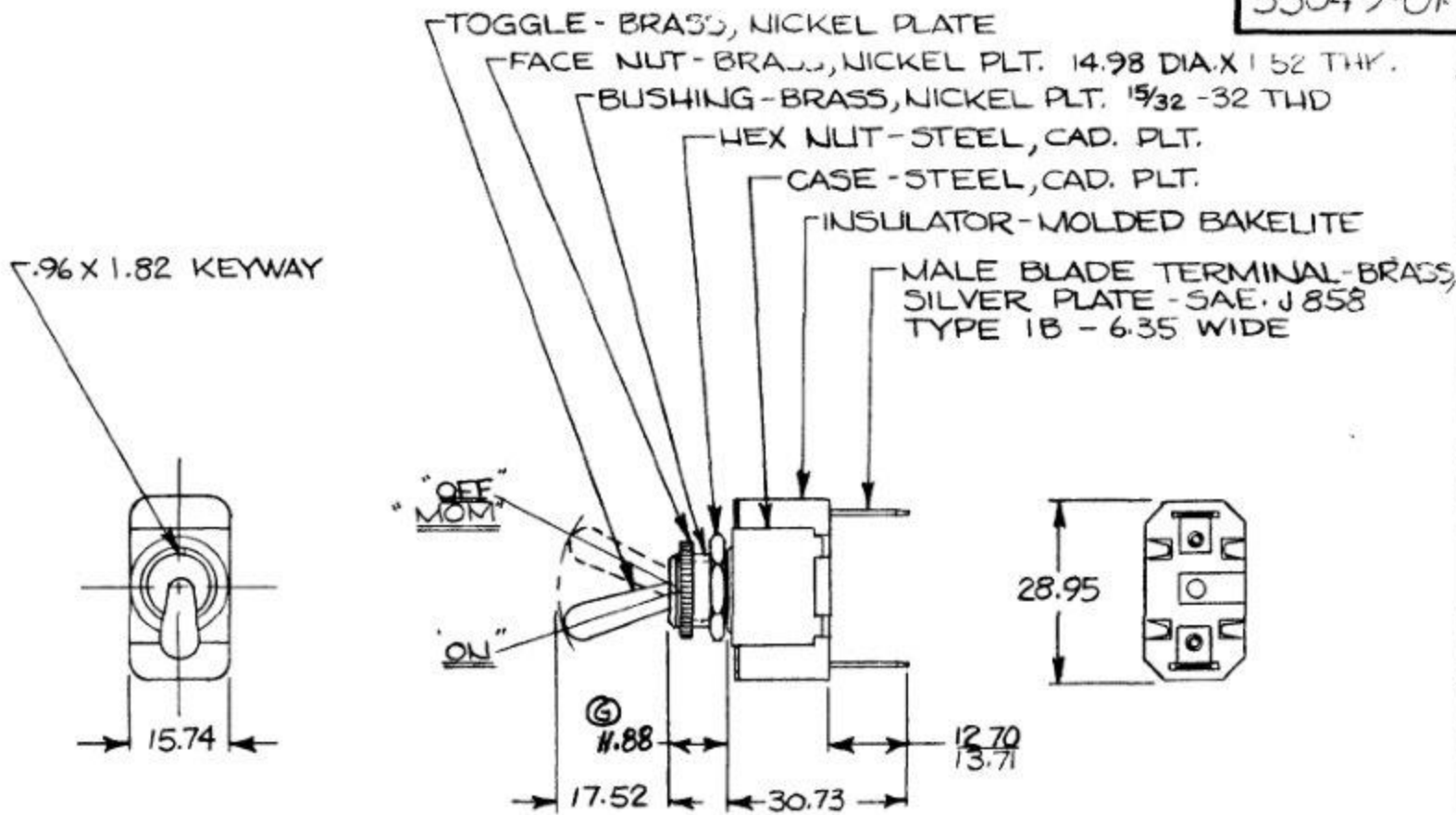
CH-188(4-78)

MM IN  
 .96 .038  
 1.82 .072  
 4.35 .171  
 6.88 .271  
 9.51 .374  
 12.14 .478  
 14.77 .581  
 17.40 .685  
 20.03 .788  
 22.66 .892  
 25.29 .995  
 27.92 1.099  
 30.55 1.202

EX 14806

COLE-HERSEE CO.

55049-01



NOTE:  
 ⓐ SILVER CONTACT SURFACES

METRIC

25 AMPS - 12 VOLTS D.C.  
EXTRA HEAVY DUTY

DO NOT SCALE

LET	WAS	DATE	BY	LET	WAS	DATE	BY	MATERIAL	DRAWN	CHECKED	APPR'D	SCALE	55049 WITH SHORTER TOGGLE	DATE DRAWN
									MF.			1-1		6-2-67
								FINISH	<b>COLE-HERSEE COMPANY</b> BOSTON, MASS. 02127, U.S.A. SINGLE POLE SINGLE THROW TOGGLE SWITCH					DATE BLUEPRINT
				H	ADD NOTE/25 932	9/15/97	TS							55049-01
				G	ECN 24871	8/5/94	MF	TOLERANCES FRACTIONAL ± DECIMAL ± .005						
				F	REDRAWN	2-9-76	MF							55049-01

55052-01

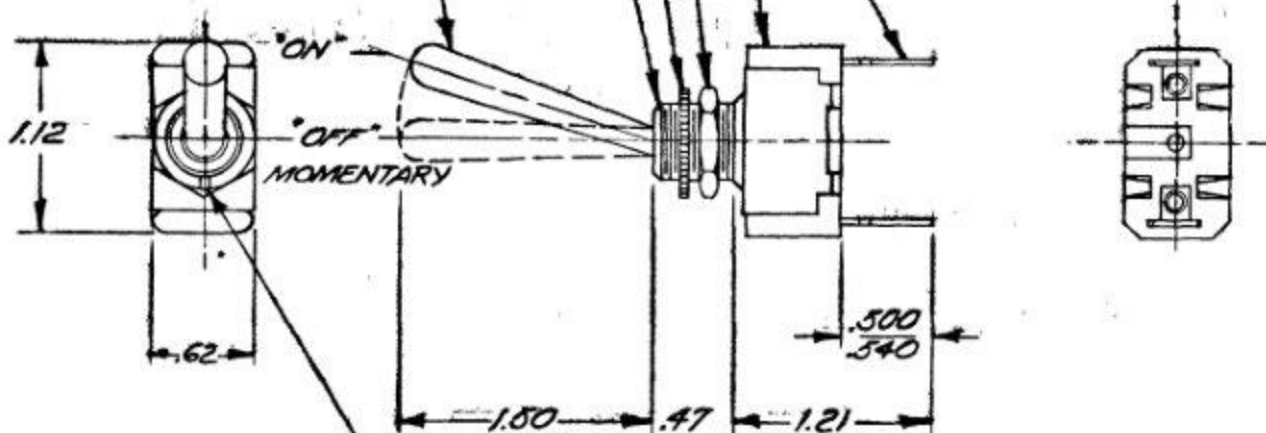
TOGGLE-BRASS NICKEL PLT.

BUSHING-BRASS NICKEL PLT  $\frac{15}{32}$ -32 THD

FACE NUT-BRASS NICKEL PLT .59 D. X .06 THK.

HEX NUT-STEEL-CAD PLT

INSULATOR-MOLDED BLITE

2 MALE BLADE TERMINALS-BRASS  
SAE J858 TYPE 1B - .25 WIDE

.072 X .038 DEEP KEYWAY

NOTES:  
 1 SINGLE POLE MOMENTARY  
 ② 2 SILVER CONTACT SURFACES

(25A-12V)

DO NOT SCALE

LET	WAS	DATE	BY	LET	WAS	DATE	BY	MATERIAL	DRAWN	CHECKED	APPR'D	SCALE	55052-01 EXCEPT WITH LONGER TOGGLE. (E)	DATE DRAWN
								NOTED	ECW			FULL		9-15-67
								FINISH NOTED	COLE-HERSEE COMPANY BOSTON, MASS. 02127, U.S.A.					DATE BLUEPRINT
				F	ADD NOTE/25432	9/15/67	TJH	TOLERANCES FRACTIONAL $\pm$ DECIMAL $\pm 01$	TOGGLE SWITCH					55052-01
				E	ADDED 18033	3-16-75	LY							
				D	RE-DRAWN NO CHANGE	12-7-72	JB							

SPAULDING CO., INC 47570

COLE-HERSEE CO.

Confidential Property of Cole Hersee

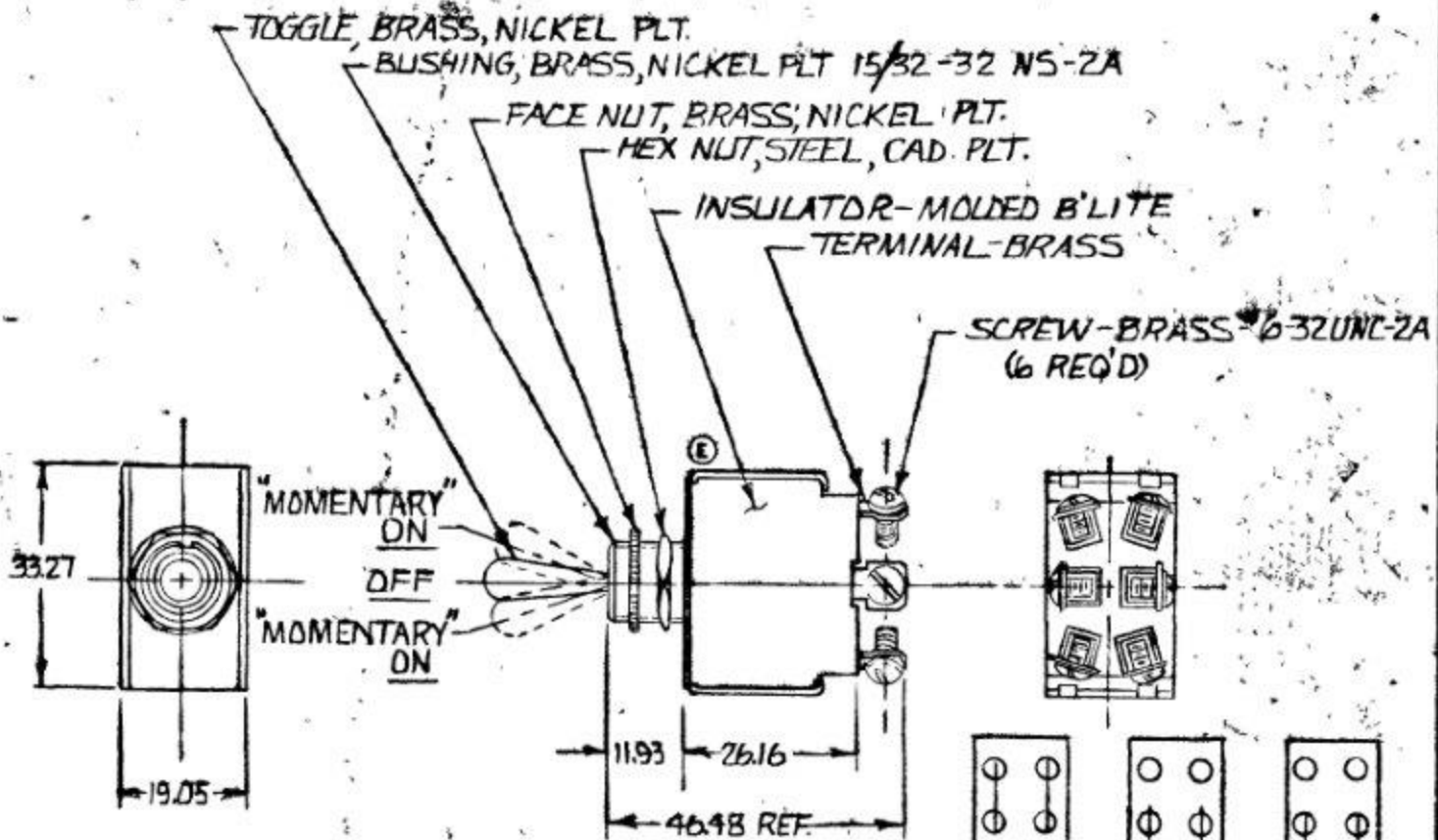


55054

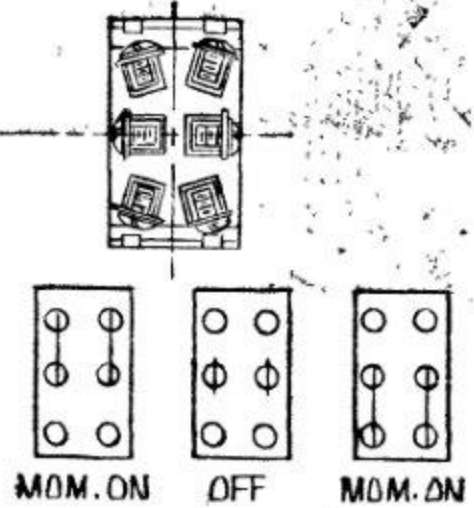
0.25	.010
0.50	.015
1.52	.060
1.93	.470
14.98	.530
19.05	.750
26.16	1.030
33.27	1.510
46.48	1.830

BLADE

COLE-HERSEE CO.



NOTE:  
 ① SILVER CONTACT SURFACES  
 25 AMP @ 12 VDC



CIRCUIT DIAGRAM

METRIC

DO NOT SCALE

LET	WAS	DATE	BY	LET	WAS	DATE	BY	MATERIAL	DRAWN	CHECKED	APPR'D	SCALE	DATE DRAWN				
									HF	7		1-1	2-24-67				
								FINISH	<b>COLE-HERSEE COMPANY</b> BOSTON, MASS. 02127, U.S.A.				DATE BLUEPRINT				
				F	ADD NOTE/25432	9/15/93	TJH										
				E	VIEW/23007	3/4/86	WV										
				D	ADD METRIC	7/11/10			TOLERANCES FRACTIONAL ± DECIMAL ±025				55054				

55054-04

COLE-HERSEE CO. NPM 4-26-77

1/32	.470
1/16	.750
1/8	1.32
3/16	1.50
1/4	1.83
5/16	.010
3/8	.250

BUSHING-BRASS NICKEL PLT.  
1/32- 32 UNS-2A

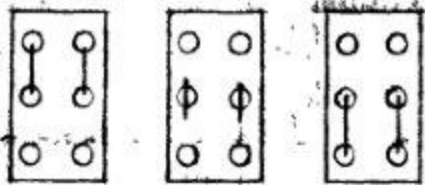
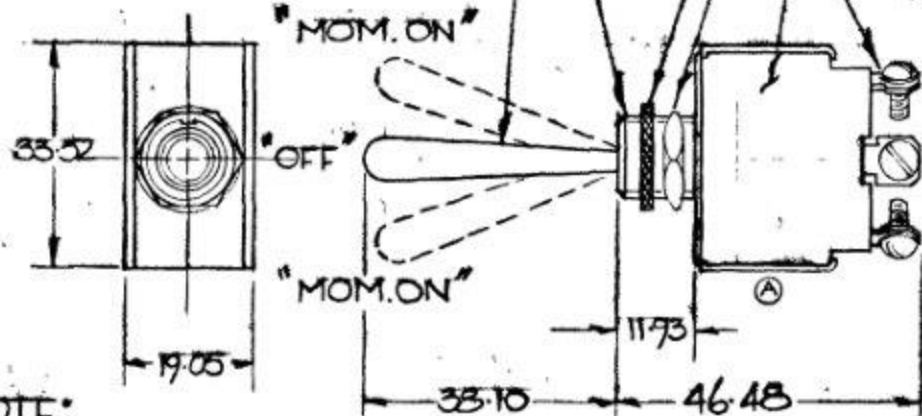
TOGGLE-BRASS  
NICKEL PLATE

FACE NUT-BRASS-NICKEL PLT.

HEX NUT-STEEL

INSULATOR-MOLDED B'LITE

TERMINAL-BRASS  
SCREW-BRASS, 6-32 UNF-2A  
X 6.35 LG.



MOM. ON OFF MOM. ON  
CIRCUIT DIAGRAM:

NOTE:  
ALL STEEL PARTS EITHER  
ZINC PLT W/ DICHROMATE DIP OR  
CAD. PLT.

25 AMP @ 12 VDC

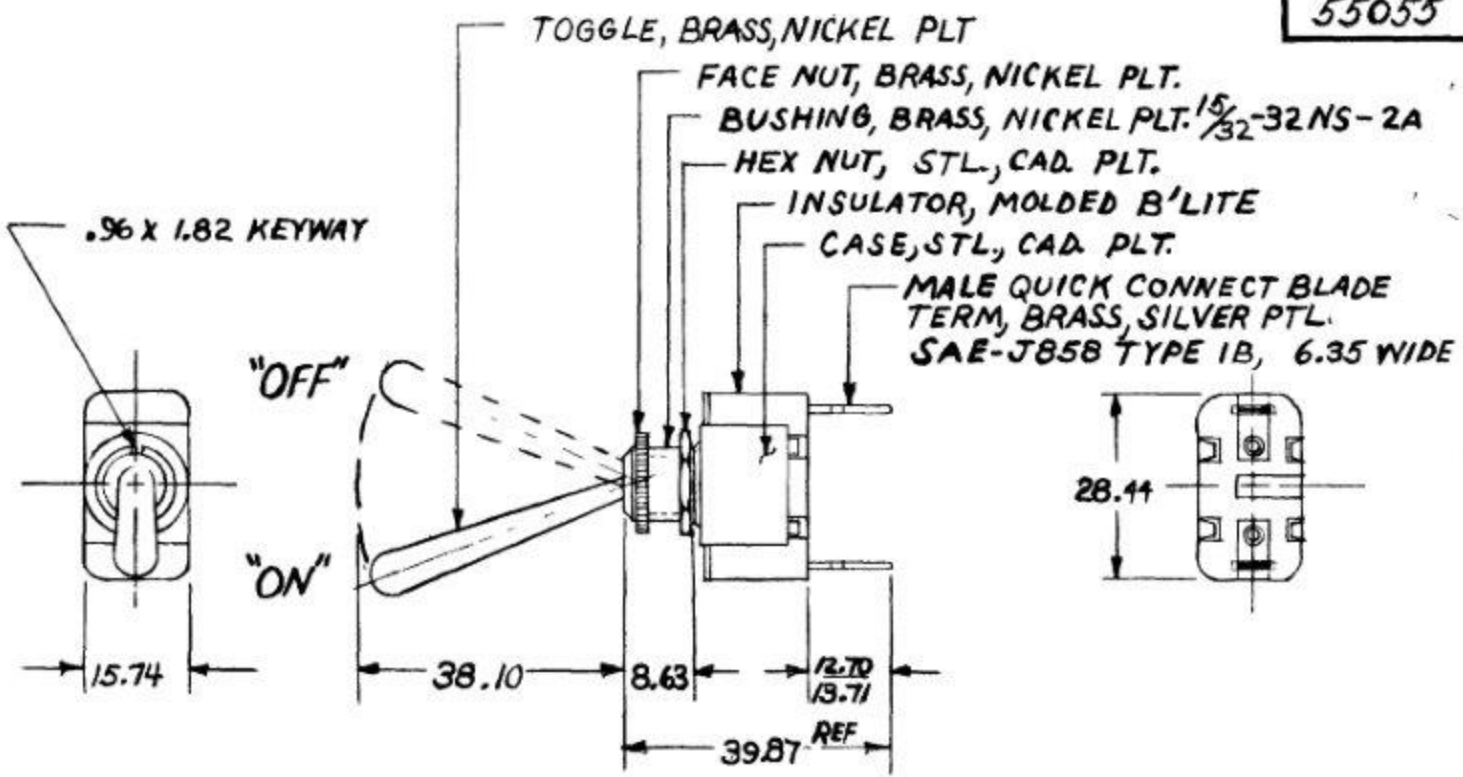
DO NOT SCALE

LET	WAS	DATE	BY	LET	WAS	DATE	BY	MATERIAL	DRAWN	CHECKED	APPR'D	SCALE	BASIC WITH LONG TOGGLE & 1/4 SCREWS	DATE DRAWN
														2-23-77
								FINISH	<b>COLE-HERSEE COMPANY</b> BOSTON, MASS. 02127, U.S.A.					DATE BLUEPRINT
				A	REVISED	3/14/86	AK	TOLERANCES FRACTIONAL ± DECIMAL ±.25	MOMENTARY D.P.D.T. TOGGLE SWITCH.					55054-04

MM IN.  
 18.63 .34  
 13.20 .52  
 38.10 1.50  
 39.87 1.57  
 28.41 1.12  
 15.74 .62

55055

EX-14732



NOTE  
 (F) SILVER CONTACT SURFACES

25 AMP., 12 VOLTS D.C.  
 EXTRA HEAVY DUTY

METRIC

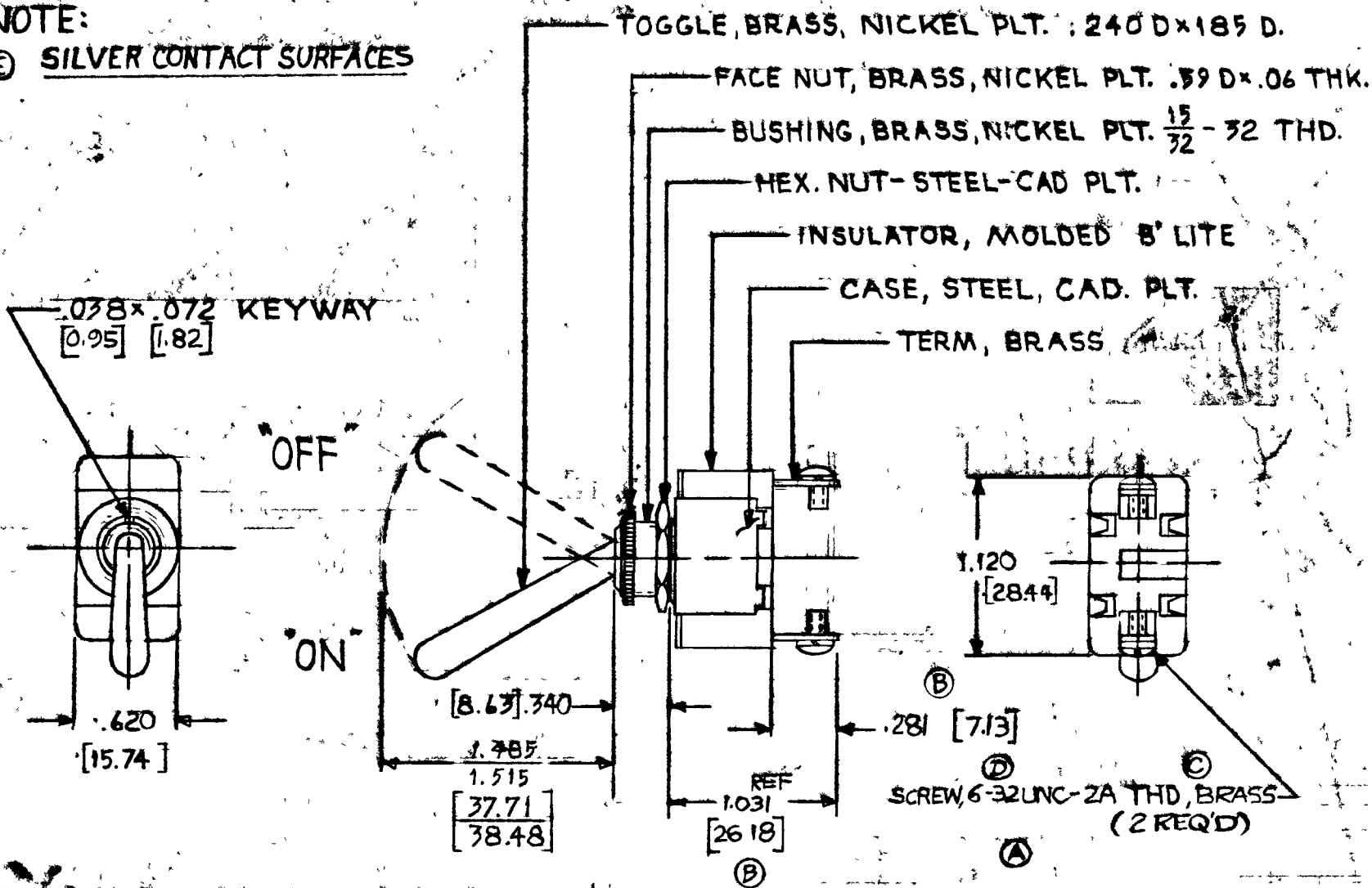
DO NOT SCALE

LET	WAS	DATE	BY	LET	WAS	DATE	BY	MATERIAL	DRAWN	CHECKED	APPR'D	SCALE	DATE DRAWN
									NB	3-4-80		1:1	5-15-67
								FINISH					DATE BLUEPRINT
								TOLERANCES	 S.P. - S.T. TOGGLE SW.				55055
							DECIMAL ± METRIC ±						

CH 188(4 78)

55055-01

NOTE:  
 (C) SILVER CONTACT SURFACES



25 AMPS-12 VOLTS D.C.  
 EXTRA HEAVY DUTY

DIMENSIONS IN INCHES [MILLIMETERS] DO NOT SCALE

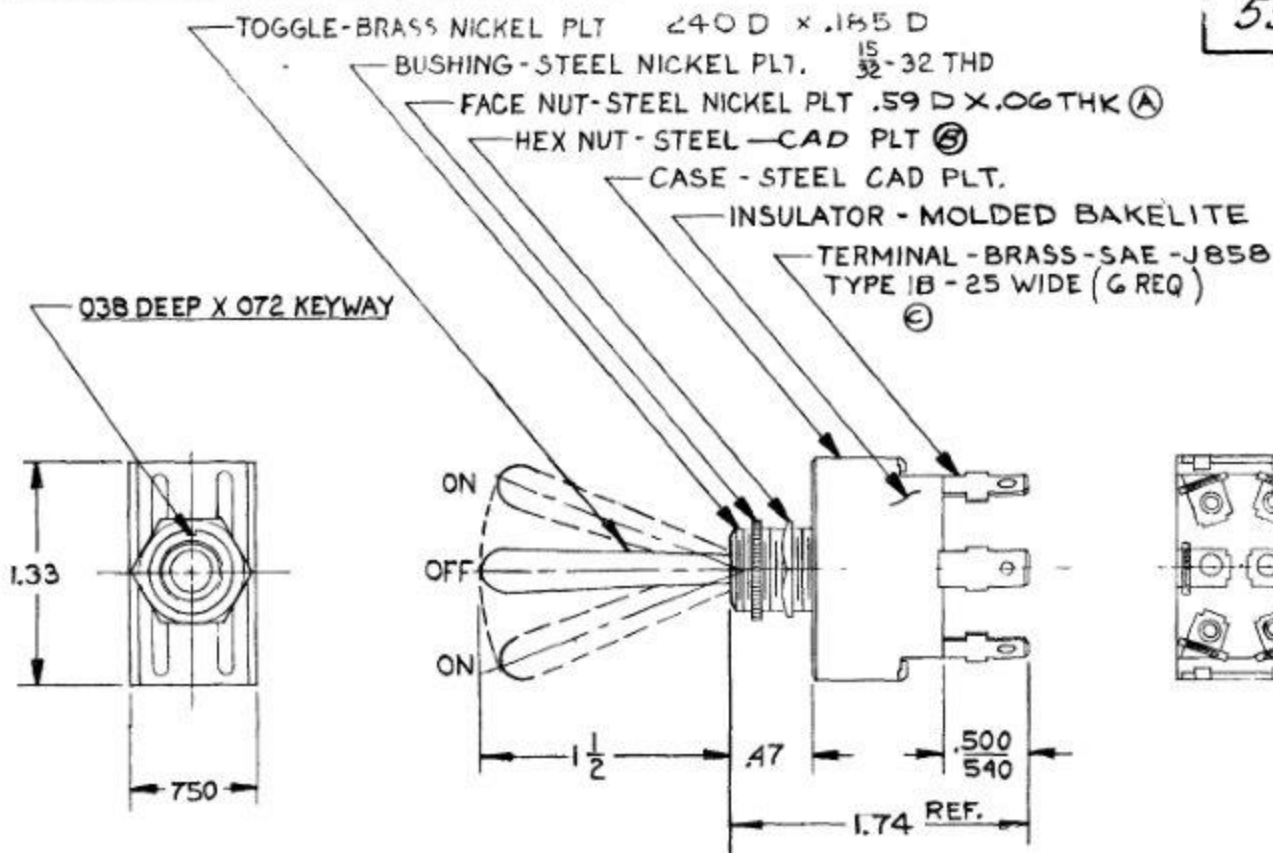
LET	WAS	DATE	BY	LET	WAS	DATE	BY	MATERIAL	DRAWN	CHECKED	APPR'D	SCALE	BASIC EXCEPT	DATE DRAWN
				D	ECN 25002	12-11-91	AF	NOTED	LD	RM	7-25-74	1:1	W/SCREW TERMS	7-24-74
				C	REV/21349	3-23-81	(C)	FINISH						DATE BLUEPRINT
				B	REV/20054	1-3-78	JAV							
				A	LWASH DELETED/19393	4-9-76	Y	TOLERANCES						
E	ADD NOTE/25432	9/16/93	JH		ISSUED	8-1-74	Y	FRACTIONAL ±						
								DECIMAL ±.010					SP-ST. TOGGLE SW.	55055-01

COLE-HERSEE CO.

N.P.M. 7-30-74

EX. 16942A

BLUE BIRD BODY CO. 170-0759902

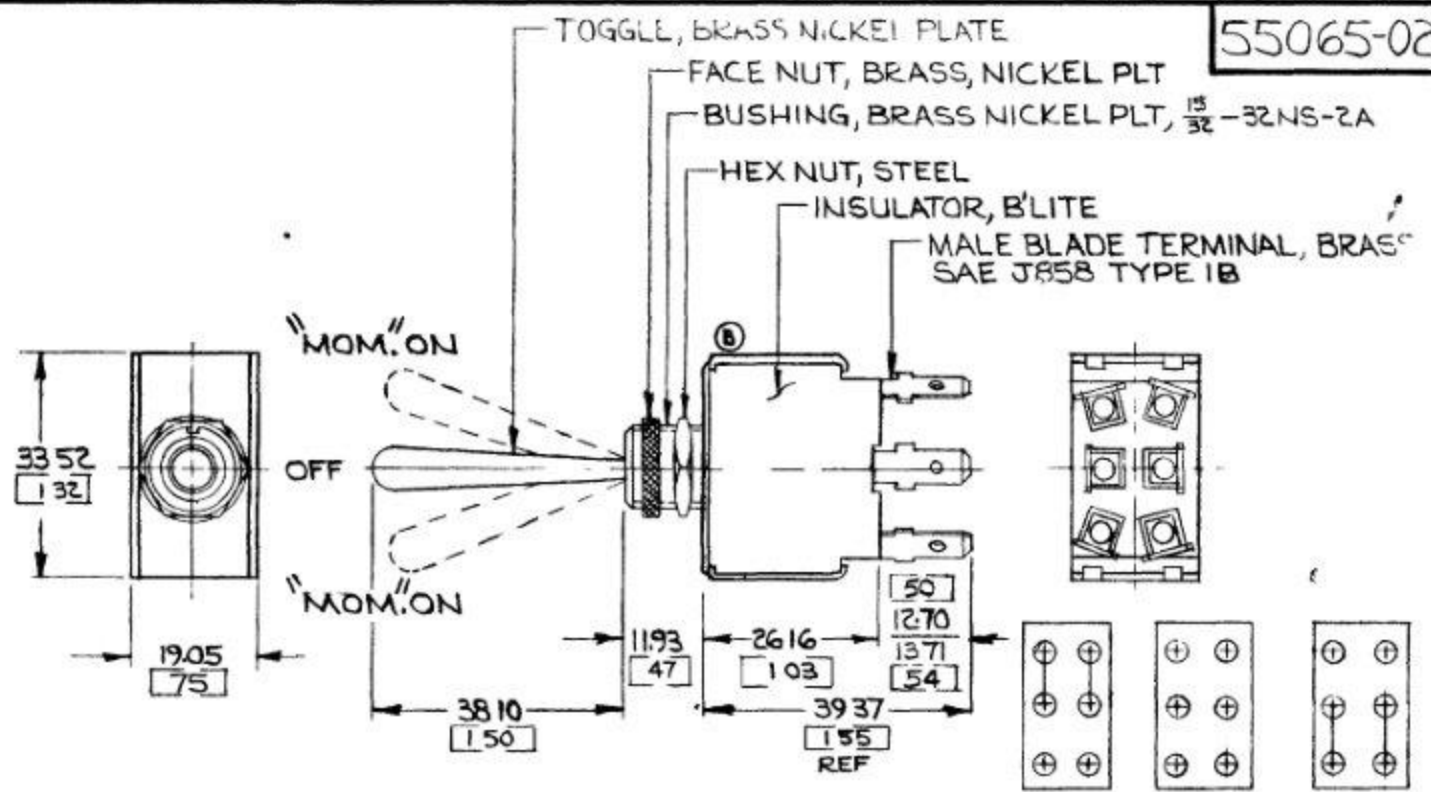


25 AMPS 12 VOLTS D.C.  
EXTRA HEAVY DUTY

DO NOT SCALE

LET	WAR	DATE	BY	LET	WAR	DATE	BY	MATERIAL	DRAWN	CHECKED	APPROV	SCALE	USED ON	DATE DRAWN
								NOTED	NB.	JM		1X		5-15-67
				C	1A	16541	3-25-67	FINISH						
				B	NICKEL PLATE	16294	11-21-68							
				A	ADDED DIM	16093	5-29-69	TOLERANCES						
					ISSUED		5 18 61	FRACTIONAL ± 015 DECIMAL ± 010	NAME	L.P.D.T. "ON-OFF-ON" TOGGLE SWITCH			PART NO.	55057

55065-02



MOM.ON OFF MOM.ON  
CIRCUIT DIAGRAM

NOTES.

- 1 ALL STEEL PARTS EITHER ZINC PLT, DICHROMATE DIP OR CAD PLT
- 2 SILVER CONTACT SURFACES

25 AMP @ 12 V.D.C

DIMENSIONS · MILLIMETERS INCHES

DO NOT SCALE

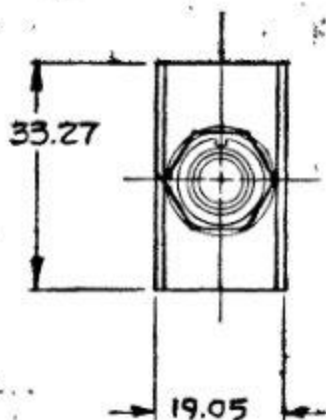
LET	WAS	DATE	BY	LET	WAS	DATE	BY	MATERIAL	DRAWN	CHECKED	APPR'D	SCALE	DATE DRAWN
								—//	E	TY		1:1	2-21-74
				C	ADD NOTE/25402	9/15/93	TJH	FINISH	<b>COLE-HERSEE COMPANY</b> BOSTON, MASS 02127, U.S.A.				DATE BLUEPRINT
				B	REVISE VIEW/23007	3/14/86	YAK	—//					
					ISSUE D	12/10/75	TY	TOLERANCES	<b>MOMENTARY DPDT TOGGLE SWITCH</b>				55065-02
				A	REDRAWN	2-8-75	KG	FRACTIONAL ± DECIMAL ± .01					

COLE-HERSEE CO.

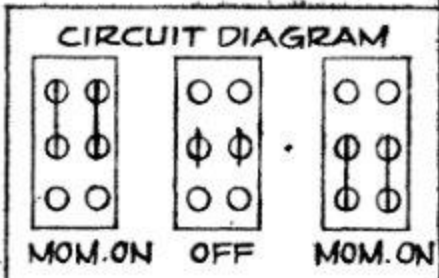
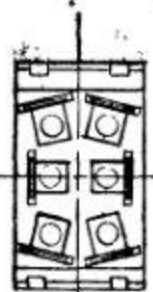
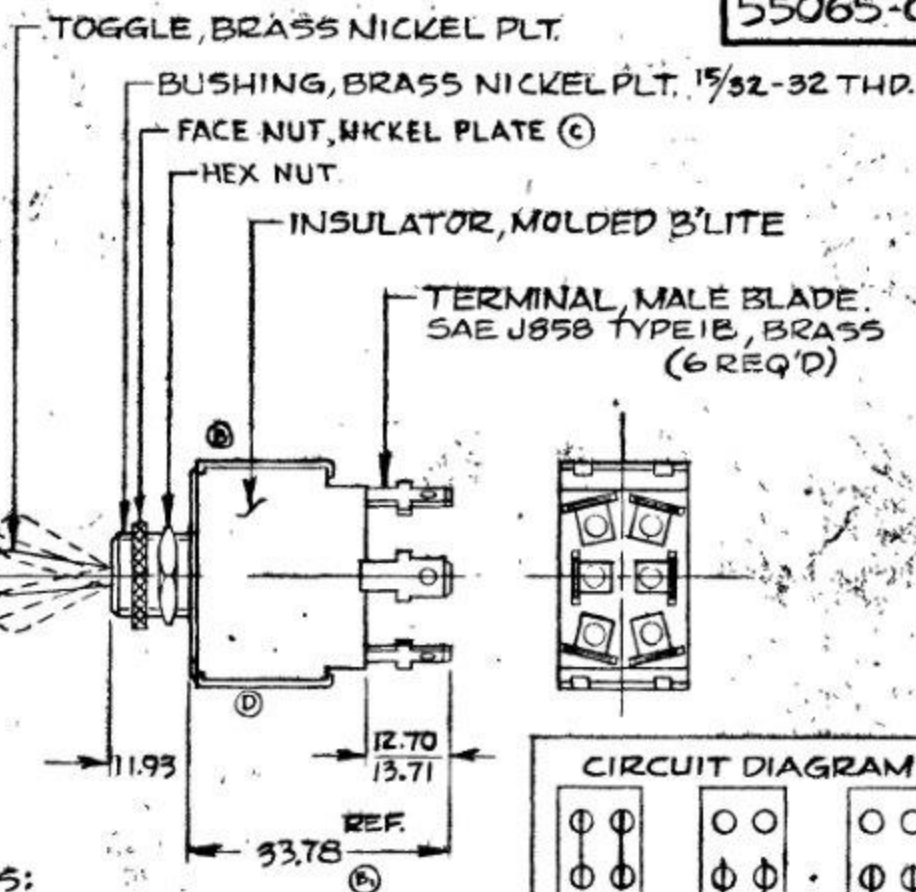
EX 16621

55065-03

VOLTS	RESISTIVE	INDUCTIVE
12 VDC	25 AMPS	15 AMPS
24 VDC	15 AMPS	8 AMPS



MOM. ON  
OFF  
MOM. ON



NOTES:

- 1) NO. POLES-2
- 2) NO. THROWS-2
- 3) TYPE SEALING-NONE
- 4) ALL STEEL PARTS PLATED
- 5) SILVER CONTACT SURFACES

METRIC

DO NOT SCALE

LET	WAS	DATE	BY	LET	WAS	DATE	BY	MATERIAL	DRAWN	CHECKED	APPROVED	SCALE	BASIC, WITH SHORT TOGGLE.	DATE DRAWN
				C	ADD FACE NUT	1-24-76	RJF	#	RJF	1-7-76		1:1		8-27-76
				B1	WAS 3937R1			FINISH						DATE BLUEPRINT
				B	CHANGE CASE	6-1-76		#						
				E	ADD NUTS	9-8-76		TOLERANCES						
				D	REVISE VIEW	9-7-76		FRACTIONAL ±						
								DECIMAL ±.25						

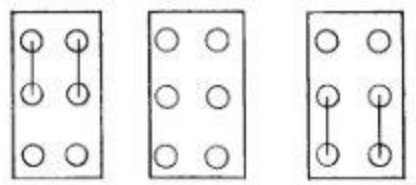
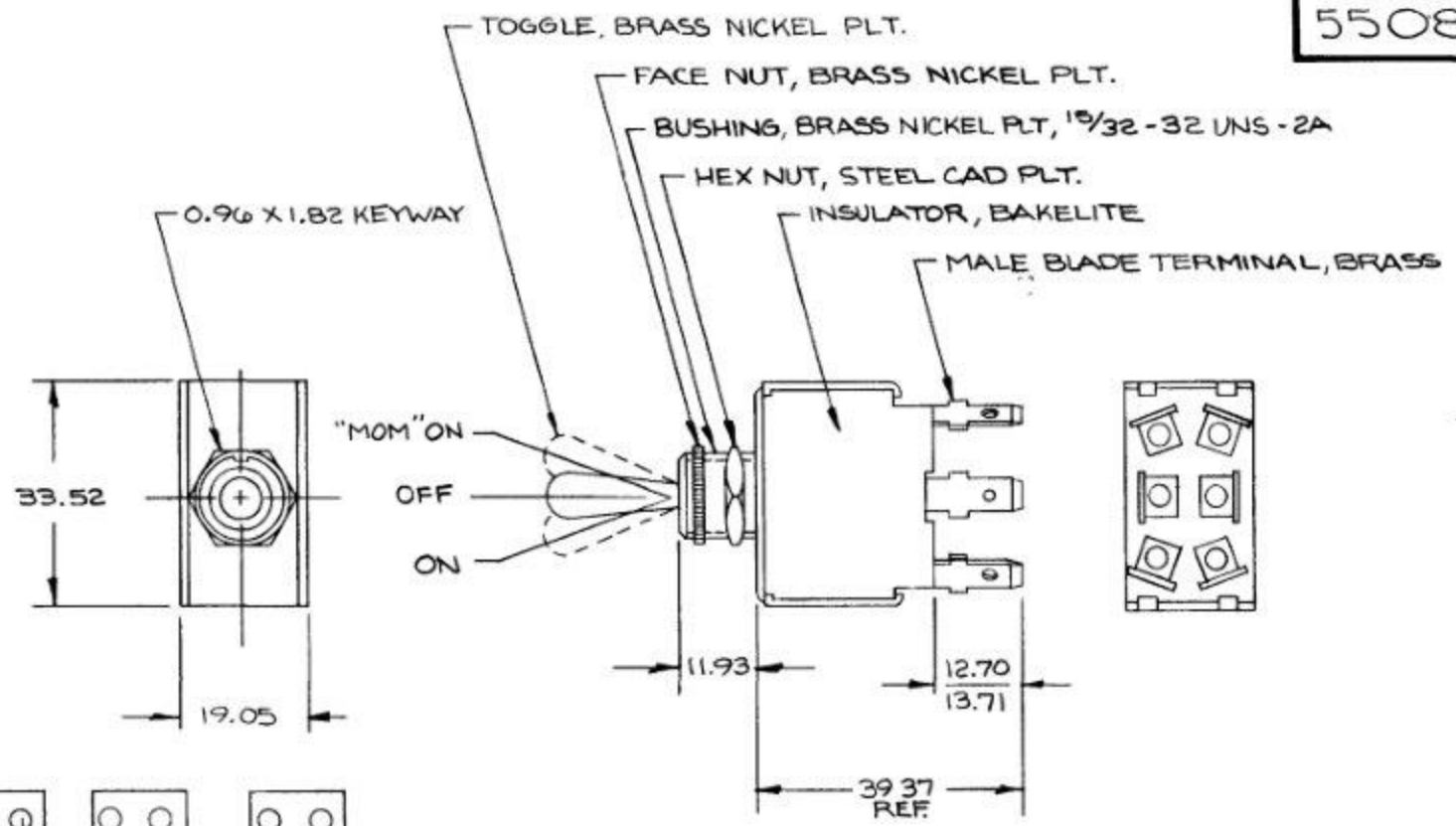
COLE-HERSEE COMPANY  
BOSTON, MASS. 02127, U.S.A.

MOMENTARY D.P.D.T.  
TOGGLE SWITCH

55065-03

55081

"MM	IN
0.25	.010
0.96	.038
1.82	.072
11.93	.470
12.70	.500
13.71	.540
19.05	.750
33.52	1.320
39.37	1.55



"MOM"ON OFF ON  
CIRCUIT DIAGRAM

25 AMP @ 12VDC METRIC

NPM EX-18163

DO NOT SCALE

LET	WAS	DATE	BY	LET	WAS	DATE	BY	MATERIAL	DRAWN	CHECKED	APPR'D	SCALE	DATE DRAWN
								<i>[Signature]</i>	EA	<i>[Signature]</i>		1:1	3-28-78
								FINISH	 <b>Cole Hersee Co.</b> <small>200 E. COLONY AVENUE BOSTON, MASS. 02117</small>				DATE BLUEPRINT
								TOLERANCES					MOMENTARY D.P.D.T. TOGGLE SWITCH
				B	REDRAWN	8/10/88	BL	DECIMAL ±					
								METRIC ± .25					

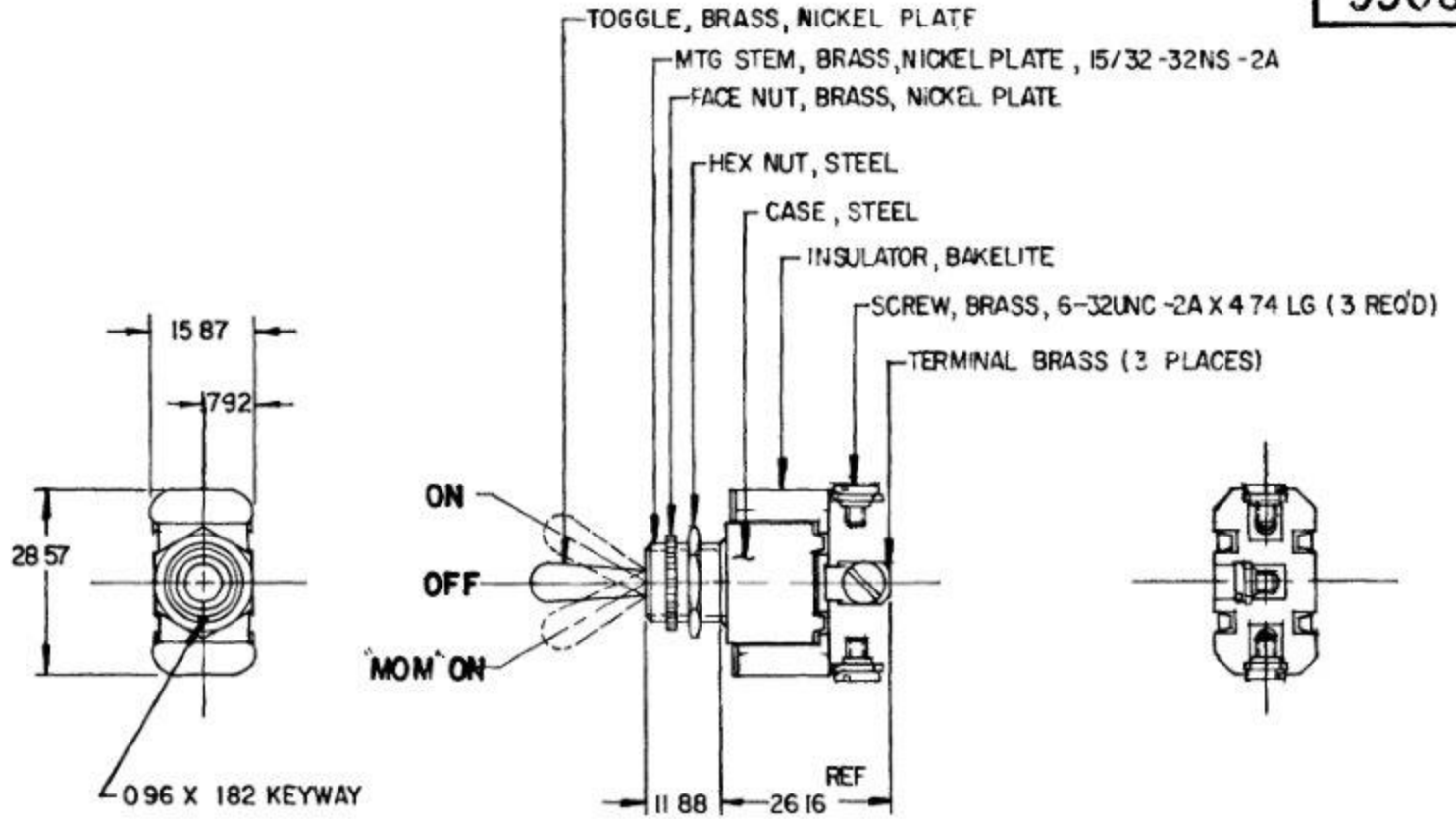
CH-188(4-78)



55088

MM	IN
0.25	.010
0.36	.038
1.82	.072
4.74	.187
7.92	.312
11.88	.468
15.87	.625
24.16	1.030
28.57	1.125

NPM 8-6-79  
EX-18424



**NOTE :**

- 1 ALL STEEL PARTS EITHER ZINC PLATE W/ DICHROMATE DIP OR CADMIUM PLATE
- ② 2 SILVER CONTACT SURFACES

DO NOT SCALE

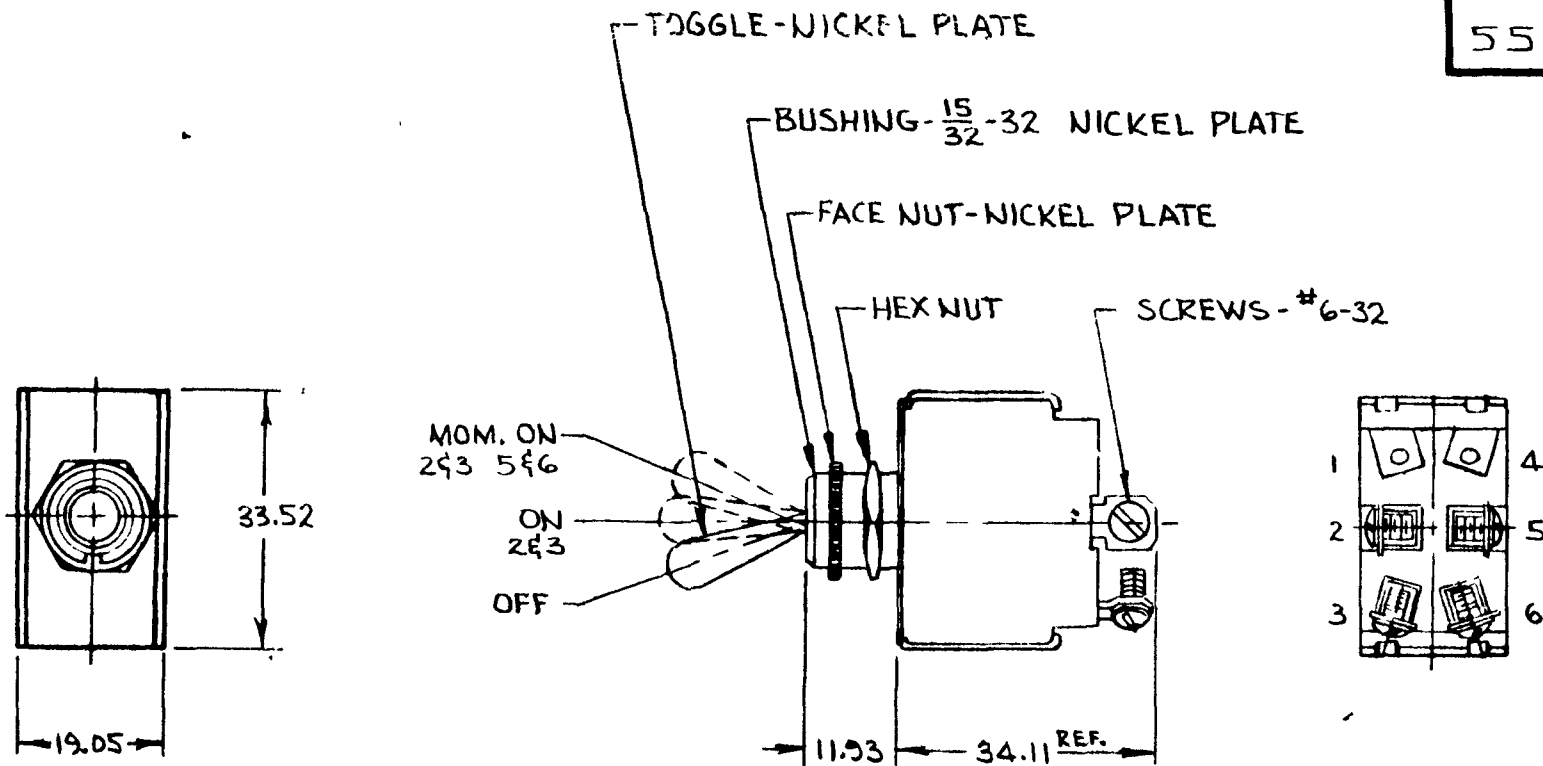
RATING	
24V	10 AMPS
12V	25 AMPS

METRIC

LET	WAS	DATE	BY	LET	WAS	DATE	BY	MATERIAL	DRAWN	CHECKED	APPR'D	SCALE	BACK LOGS	DATE DRAWN
								—	JAV	✓		1:1	BACK LOGS EXCEPT, MOM. ON-OFF-ON	7-20-79
								FINISH						DATE BLUEPRINT
								TOLERANCES	<b>CH Cole Hersee Co.</b> <small>100 COUNTRY AVENUE, SOUTH BOSTON, MA 02127</small>					
								DECIMAL ±						<b>SP - D.T. TOGGLE SWITCH</b>
								METRIC ±0.25	<b>55088</b>					
				A	ADD NOTE 125930	7/11/79	TJH							<b>55088</b>
					ISSUED	8-3-79			<b>55088</b>					

CH-188(4-78)

55094



- NOTES:
- 1. SILVER CONTACTS
  - 2. 25 AMPS @ 12V DC LAMP LOAD
  - 3. ALL STEEL PARTS PLATED

EX 23668

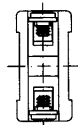
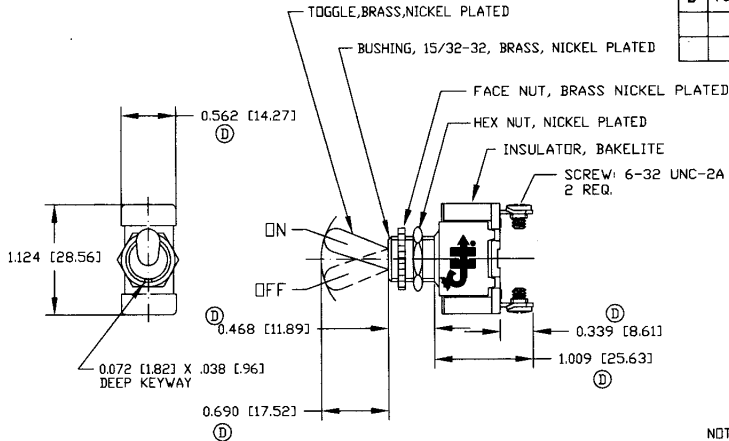
METRIC

DO NOT SCALE

LET	WAS	DATE	BY	LET	WAS	DATE	BY	MATERIAL	DRAWN	CHECKED	APPRVD	SCALE	DATE DRAWN
								—	RJF	AF		1:1	11-9-89
								FINISH	 <small>IN OLD COLONY APARTS SOUTH BOSTON MA U.S.A. 02127</small>				DATE BLUEPRINT
								TOLERANCES					
					ISSUED	1-24-90	AF	DECIMAL ± METRIC ±	SWITCH, TOGGLE, 3 POS.				55094

### Revision Control Record

Rev.	Description of Change	ECN No.	Date
D	PUT ON CAD	05039	01/04/05



- NOTES:
1. HEAVY DUTY SILVER CONTACTS
  2. NEOPRENE O-RING IN BUSHING
  - (D) 3. ALL STEEL PARTS ZINC PLATED
  - (D) 4. SWITCH RATING: 12V/25A; 24V/15A

**Tolerances:** Unless otherwise specifically noted, the following are default tolerances:  
 \* 2-place Decimal Dimensions  $\pm .02^\circ$   
 \* 3-place Decimal Dimensions  $\pm .005^\circ$   
 \* Angular Dimensions  $\pm 1.0$  Deg  
 \* Metric: Refer to equivalent English Dimension Tolerance  
 >>> NOTE: All tolerances are Non-Cumulative.

**Dimensional Units:** All dimensions are expressed in inches except those shown in brackets (xxx) are expressed in millimeters

"REF" or "AS SHOWN" is Non-Toleranced Reference Dimension, shown for clarification purpose only.

**PROPRIETARY INFORMATION:** This Engineering Drawing, and the information contained herein, is proprietary to Cole Hersee Company and may not be disclosed, re-produced, or in any other way transferred or communicated to any other party without the express written consent of an authorized representative of Cole Hersee Company.

**DESIGN CONTROL:** It is the responsibility of the individual using / referencing this drawing to assure that the noted design revision level agrees with the revision level of the Controlled Document (Master Drawing). This is a NON-CONTROLLED DOCUMENT unless otherwise specifically noted.

DO NOT SCALE - Dimensional variation may occur during printing / reproduction.

**Special Characteristics:**

- Critical Characteristic relating to Safety under Regulatory Compliance
- Significant Characteristic relating to Process Control (SPC)
- Key Characteristic relating to Form - Fit - Function as defined by Cole Hersee Company and/or the Customer

(Note that the identification of any Characteristics as being "Special" does not alter the requirement that ALL specified dimensions & tolerances must be met.)



**Cole Hersee Co.**

20 Old Colony Ave., South Boston, MA, 02127  
 PHN 617-268-2100 Web: www.colehersee.com

**Description:**

**SWITCH, TOGGLE . SPST**

Drawing / Part No.:

**5520**

Current Rev.

**D**

Used On or Ref: Scale: **1:1**

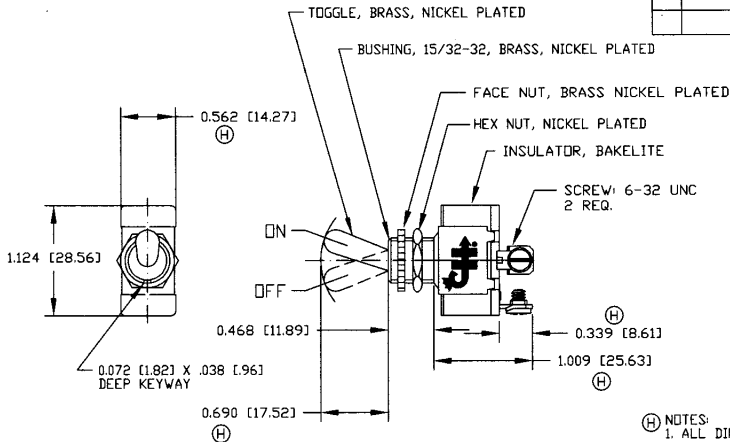
Drawn By: **E.A**

Date Drawn: **2/27/07**

Responsible Engineer: **G.AUGUSTE** Pg. 1 of 1

### Revision Control Record

Rev.	Description of Change	ECN No.	Date
H	PUT ON CAD	D5083	D1/04/05



- (H) NOTES:
1. ALL DIMENSIONS ARE REFERENCE
  2. ALL STEEL PARTS ARE ZINC PLATED
  3. SILVER CONTACT SURFACES.
  4. SWITCH RATING: 25A/12V; 15A/24V

**Tolerances:** Unless otherwise specifically noted, the following are default tolerances:  
 • 2-place Decimal Dimensions  $\pm .02"$   
 • 3-place Decimal Dimensions  $\pm .005"$   
 • Angular Dimensions  $\pm 1.0$  Deg.  
 • Metric: Refer to equivalent English Dimension Tolerance  
 >>> NOTE: All tolerances are Non-Cumulative. <<<

**Dimensional Units:** All dimensions are expressed in inches except those shown in brackets (xxx) are expressed in millimeters

"REF." or an Asterisk (\*) = Non-Toleranced Reference Dimension, shown for identification purposes only.

**PROPRIETARY INFORMATION:** This Engineering Drawing, and the information contained herein, is proprietary to Cole Hersee Company and may not be disclosed, re-produced, or in any other way transferred or communicated to any other party without the express written consent of an authorized representative of Cole Hersee Company.

**DESIGN CONTROL:** It is the responsibility of the individual using/referencing this drawing to assure that the noted design revision level agrees with the revision level of the Controlled Document (Master Drawing). This is a NON-CONTROLLED DOCUMENT unless otherwise specifically noted.

**DO NOT SCALE:** Dimensional variation may occur during printing/reproduction.

**Special Characteristics:**

- Critical Characteristic, relating to Safety and/or Regulatory Compliance
- Significant Characteristic relating to Process Control (SPC)
- Key Characteristic relating to Form - Fit - Function as defined by Cole Hersee Company and/or the Customer

(Note that the identification of any Characteristics as being "Special" does not alter the requirement that ALL specified dimensions & tolerances must be met.)



**Cole Hersee Co.**

20 Old Colony Ave., South Boston, MA, 02127  
 Pbx: 617-268-2100 Web: www.colehersee.com

**Description:**  
 SWITCH, TOGGLE . SPST  
 OFF-ON

**Drawing / Part No.:** 5582

**Current Rev.:** H

**Revision Control Record**

Rev.	Description of Change	ECN No.	Date
H	NOTE CHANGE	09002	01/14/08

SCREW, 6-32UNC-2A THD, BRASS (3 REQ'D)

INSULATOR, BAKELITE

CASE, STEEL

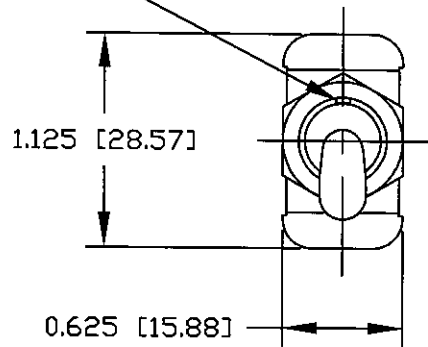
HEX NUT, STEEL

FACE NUT, BRASS, NICKEL PLT.

Ⓜ BUSHING, 15/32-32 UNS-2A THD, BRASS, NICKEL PLT.

TOGGLE, BRASS, NICKEL PLT

0.038 [0.96] X 0.072 [1.82] KEYWAY



□N

□N

0.690 [17.53]

0.470 [11.94]

1.125 [28.58]

0.250 [6.35]  
0.312 [7.92]

Ⓜ NOTES:

1. ALL STEEL PARTS PLATED
2. SILVER CONTACT SURFACES
3. ALL DIMENSIONS REFERENCE ONLY EXCEPT OTHERWISE NOTED
4. 25AMP @ 12VDC

**Tolerances** Unless otherwise specifically noted, the following are default tolerances;

**2-places** +/- 0.02"  
**3-places** +/- 0.005"  
**Angular** +/- 1'

Metric: Shown in [ ] refers to equivalent English Dim Tol

"REF." or an Asterisk (\*) = Non-Toleranced Reference Dimension, shown for clarification purposes only.

NOTE: All tolerances are Non-Cumulative.

**PROPRIETARY INFORMATION**

This Engineering Drawing, and the information contained herein, is proprietary to Cole Hersee Company and may not be disclosed, re-produced, or in any other way transferred or communicated to any other party without the express written consent of an authorized representative of Cole Hersee Company.

**Special Characteristics:**



Critical Characteristic, relating to Safety and/or Regulatory Compliance



Significant Characteristic relating to Process Control



Control Dimension relating to Form - Fit - Function as defined by Cole Hersee Company and/or the Customer



**Cole Hersee Co.**

20 Old Colony Ave., South Boston, MA, 02127  
Phn: 617-268-2100 Web: www.colehersee.com

**Description:**

**SPDT TOGGLE SW**

**Drawing / Part No.:**

**5584**

**Current Rev.**

**H**

FORM CHT-6 (2/07)

Used On or Ref.:

Scale: 1:1

Drawn BY: RJS

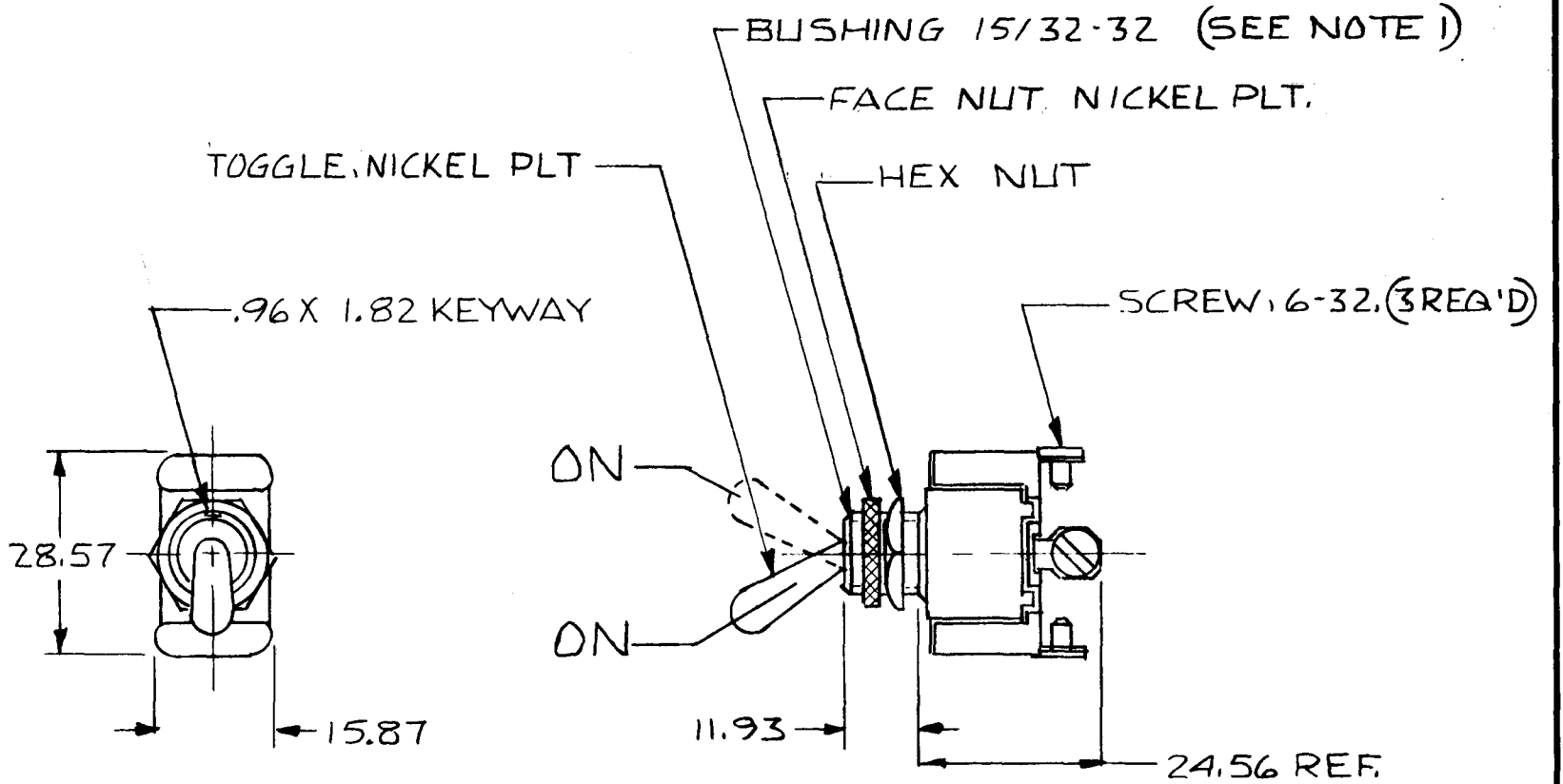
Date Drawn: 08/13/54

Pg. 1 of 1

MM IN  
 11.93 .470  
 15.87 .625  
 24.56 .967  
 28.57 1.125  
 .96 .038  
 1.82 .072

5584-11


EX20268



NOTES  
 1. O-RING SEAL AT BUSHING  
 2. ALL STEEL PARTS PLATED

METRIC 25 AMPS @ 12 VDC

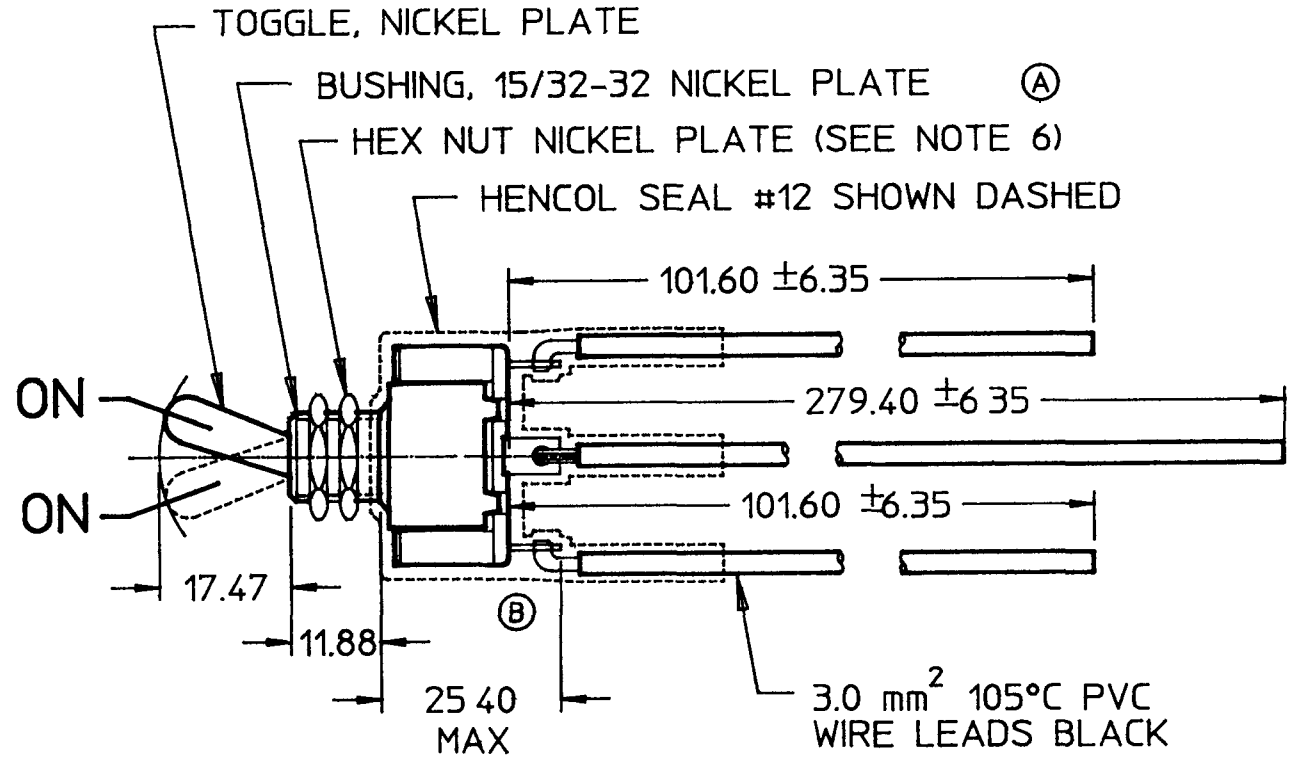
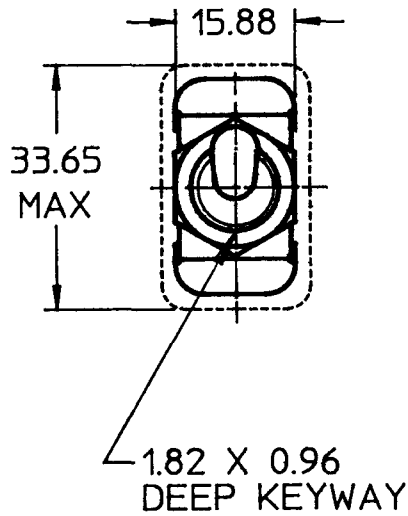
DO NOT SCALE

LET.	WAS	DATE	BY	LET	WAS	DATE	BY	MATERIAL	DRAWN	CHECKED	APPRV'D.	SCALE	DATE DRAWN
									PPS	RFB		1:1	6-17-83
								FINISH	 20 OLD COLONY AVENUE, SOUTH BOSTON, MA. U.S.A. 02127				DATE BLUEPRINT
								TOLERANCES DECIMAL ± METRIC ±					S.P.D.T. TOGGLE SW
					ISSUED	6/17/83	RFB						

CH-188(4-78)

5584-15

MM	IN
0.25	0.010
0.96	0.032
1.82	0.072
6.35	0.250
11.88	0.468
15.88	0.625
17.47	0.688
25.40	1.000
33.65	1.325
101.60	4.000
279.40	11.000
3.0 mm <sup>2</sup>	12 GA



NOTES:

1. SILVER CONTACTS
2. 25 AMPS @ 12VDC LAMP LOAD  
35 AMPS @ 12VDC INDUCTIVE LOAD
3. O-RING SEAL IN BUSHING
4. ALL STEEL PARTS PLATED
5. ALL DIMENSIONS REFERENCE
6. 1 HEX NUT ASSEMBLED  
1 HEX NUT SHIPPED LOOSE

(A)

METRIC

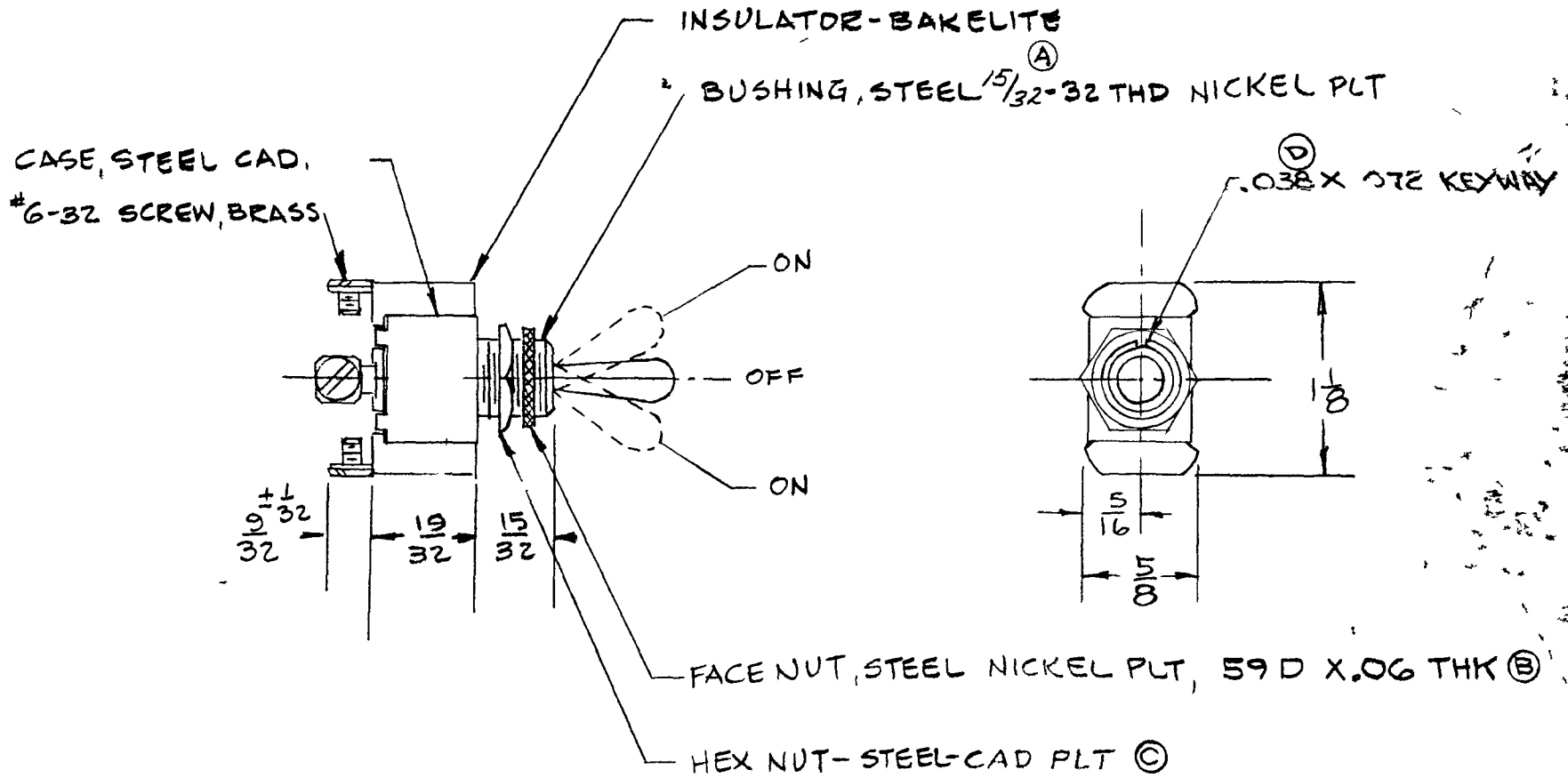
DO NOT SCALE

LET	WAS	DATE	BY	LET	WAS	DATE	BY	MATERIAL	DRAWN	CHK	APVD	SCALE	EX25260	DATE DRAWN
									BL			1:1		4/13/93
								FINISH	<b>Cole Hersee Co.</b> 20 OLD COLONY AVENUE, BOSTON, MA., U.S.A. 02127					DATE BLUEPRINTED
				B	ECN #25389	6/15/93	MJT							
				A	ECN 25385	6/9/93	BL	TOLERANCES	<b>SWITCH, TOGGLE SPDT</b>					<b>5584-15</b>
					ISSUED	4/22/93	AF	METRIC ± 0.25 ANGLE ±						

5586

20

COLE-HERSEE CO



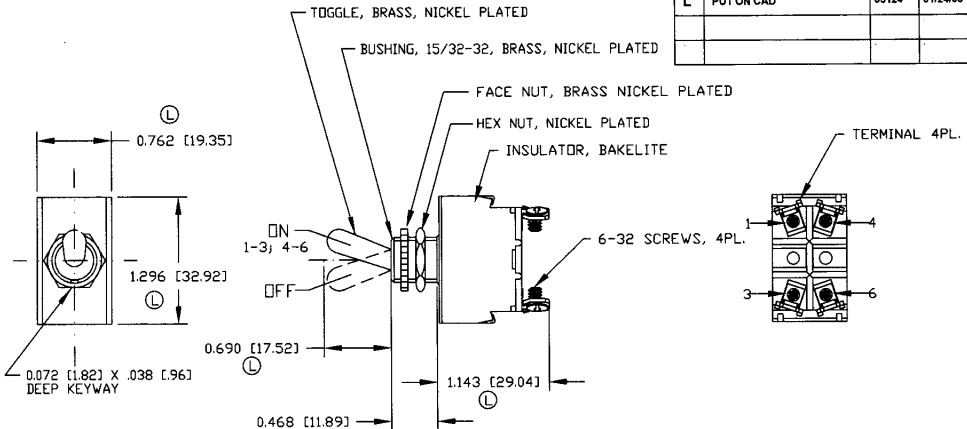
© NOTE  
SILVER CONTACT SURFACES

LET	WAS	DATE	BY	LET	WAS	DATE	BY	MATERIAL	DRAWN	CHECKED	A	PRV	D	SCALE	USED ON	DATE DRAWN
				E	ADD NOTE	2543a	9/15/93	JH		GFC				1"=1"		2-3-54
				D	03X 06 KEYWAY	17537	1-4-72	H	FINISH		COLE-HERSEE COMPANY BOSTON 27 MASS U S A					DATE ISSUED
				C	NICKEL PLT	16299	11-22-68	B								(N/A)
				B	ADDED DIM	16093	5-29-68	W	TOLERANCES FRACTIONAL ± DECIMAL ±		NAME SINGLE POLE, DOUBLE THROW TOGGLE SWITCH					PART NO
				A	7/16-32		10-29-57	P								5586



### Revision Control Record

Rev.	Description of Change	ECN No.	Date
L	PUT ON CAD	06124	01/24/05



- Ⓛ NOTES:
1. ALL DIMENSIONS ARE REFERENCE
  2. ALL STEEL PARTS ZINC PLATED
  3. SILVER CONTACT SURFACES
  4. SWITCH RATING: 12V/25A; 24V/15A

**Tolerances:** Unless otherwise specifically noted, the following are default tolerances:

- 2-place Decimal Dimensions  $\pm .02"$
- 3-place Decimal Dimensions  $\pm .005"$
- Angular Dimensions  $\pm 1.0$  Deg.
- Metric: Refer to equivalent English Dimension Tolerance
- >>> NOTE: All tolerances are Non-Cumulative. <<<

**Dimensional Units:** All dimensions are expressed in inches except those shown in brackets (xxx) are expressed in millimeters

"REF." or an Asterisk (\*) = Non-Tolerance Reference Dimension, shown for identification purposes only.

**PROPRIETARY INFORMATION:** This Engineering Drawing, and the information contained herein, is proprietary to Cole Hersee Company and may not be disclosed, re-produced, or in any other way transferred or communicated to any other party without the express written consent of an authorized representative of Cole Hersee Company.

**DESIGN CONTROL:** It is the responsibility of the individual using/referencing this drawing to ensure that the noted design revision level agrees with the revision level of the Controlled Document (Master Drawing). This is a NON-CONTROLLED DOCUMENT unless otherwise specifically noted.

**DO NOT SCALE:** Dimensional variation may occur during printing/ reproduction.

**Special Characteristics:**

- Ⓛ Critical Characteristic, relating to Safety and/or Regulatory Compliance
- X Significant Characteristic relating to Process Control (SPC)
- Ⓚ Key Characteristic relating to Form - Fit - Function as defined by Cole Hersee Company and/or the Customer

(Note that the identification of any characteristics as being "Special" does not alter the requirement that ALL specified dimensions & tolerances must be met.)



**Cole Hersee Co.**

20 Old Colony Ave., South Boston, MA, 02127  
 Phone 617-268-2100 Web: www.colehersee.com

**Description:**

**SWITCH, TOGGLE . DPST  
ON-OFF**

Drawing/  
Part No.:

**5588**

Current Rev.

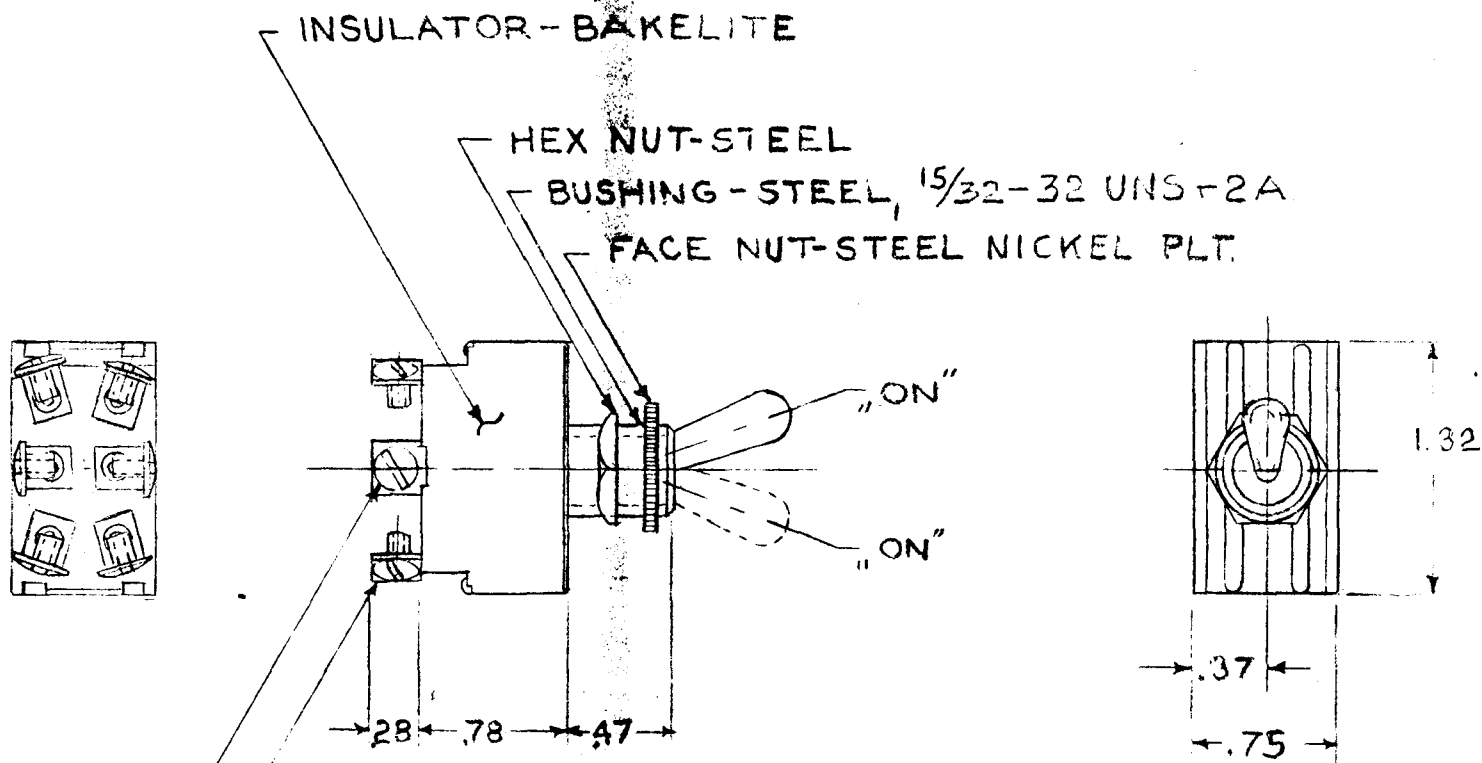
**L**

Used On or Ref.: Scale: **1:1**

Drawn By: **JP**

Date Drawn: **12/31/67**

Responsible Engineer: **G.AUGUSTE** Pg. 1 of 1



INSULATOR - BAKELITE  
 HEX NUT-STEEL  
 BUSHING - STEEL, 15/32-32 UNS-2A  
 FACE NUT-STEEL NICKEL PLT.

TERMINAL - BRASS  
 SCREW - BRASS

**NOTES:**

1. DOUBLE POLE - DOUBLE THROW
- 2 POSITIONS - BOTH "ON" - 6 SCREW TYPE TERMINALS.
2. ALL STEEL PARTS PLATED
- Ⓒ 3 SILVER CONTACT SURFACES

SCHEMATIC

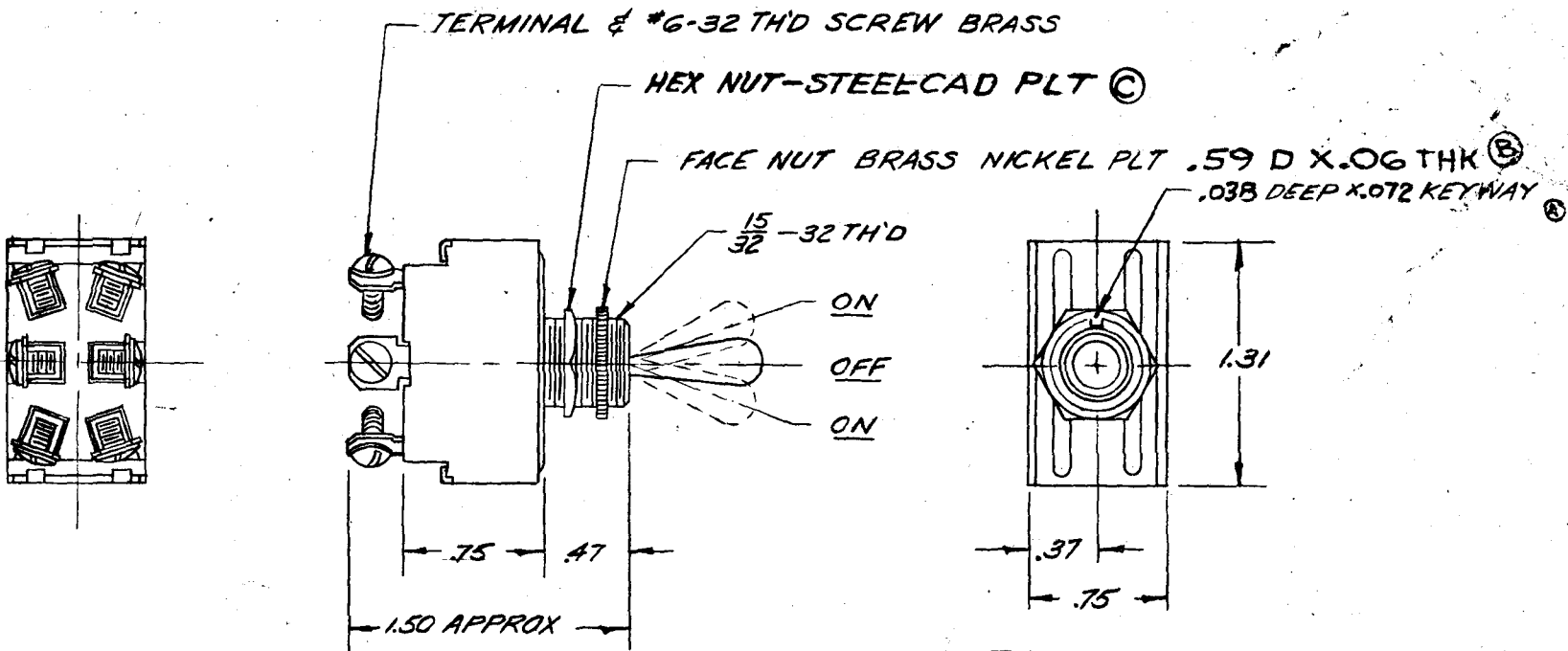
DO NOT SCALE

LET	WAS	DATE	BY	LET	WAS	DATE	BY	MATERIAL	DRAWN	CHECKED	APPR'VD.	SCALE	DATE DRAWN
								—	EHD			1=1	6-18-59
								FINISH	<b>COLE-HERSEE COMPANY</b> BOSTON, MASS. 02127, U.S.A.				DATE BLUEPRINT
				E	ADD NOTE/25922	9/15/53	TJH	—					
				D	ADDED DIAGRAM	7/22/62	EA	TOLERANCES	<b>TOGGLE SWITCH ASS'Y</b>				5590
				C	NO CHANGE	5.13.70	FB	FRACTIONAL ± .015 DECIMAL ± .010					

5592

20

COLE-HERSEE CO.



NOTE:  
 © SILVER CONTACT SURFACES

LET	WAS	DATE	BY	LET	WAS	DATE	BY	MATERIAL	DRAWN	CHECKED	APPR'D	SCALE	USED ON	DATE DRAWN
								—	JP			1-1		10-23-58
				D	ADD NOTE/25932	9/15/93	J.H.	FINISH	COLE-HERSEE COMPANY BOSTON 27, MASS., U. S. A.					DATE ISSUED
				C	BRASS NICKEL 16294	11-25-68	J.B.							
				B	ADDED PIN 16093	5-29-68	R.V.	TOLERANCES	NAME D.P.D.T. "ON-OFF-ON" TOGGLE SWITCH					PART NO.
				A	.03 x .06 KEYWAY 13832	1-17-64	B	FRACTIONAL ± .015 DECIMAL ± .010						