

- NOTES:
1. RATING: CONTINUOUS -175 AMP 6-12 24-36 VOLTS DC, INTERMITTENT - 1000 AMPS 6-12-24-36 VOLTS DC, 15 SEC 'ON' 5 MIN 'OFF'
 2. ALL STEEL PARTS PLATED
 3. HARDWARE ASSEMBLED
 4. ALL DIMENSIONS REFERENCE ONLY

Revision Control Record				Rev.	Description of Change	ECN No.	Date	Changes	Proprietary Information	Special Characteristics:	 Cole Hersee Co. 30 GW Colony Ave., South Boston, MA 02127 Fax: 617-288-2180 Web: www.colehersee.com
Rev.	Description of Change	ECN No.	Date					Unless otherwise specifically noted, the following are default tolerances:	THIS Engineering Drawing, and the information contained herein, is proprietary to Cole Hersee Company and may not be disclosed, re-produced, or in any other way transferred or communicated to any other party without the express written consent of an authorized representative of Cole Hersee Company.	<input type="checkbox"/> Critical Characteristic, relating to Safety and/or Regulatory Compliance <input checked="" type="checkbox"/> Significant Characteristic relating to Process Control <input type="checkbox"/> Control Dimension relating to Form - Fit - Function as defined by Cole Hersee Company and/or the Customer	
AA	CHANGE NOTE 3	09252	04/18/09					2-places ± 0.02 3-places ± 0.005 Angular $\pm 1'$ Note: Shows in [] refers to equivalent English-SI units [] = as an Alternative - Non-Toleranced Reference Dimension, shown for clarification purposes only. NOTE: All dimensions are Non-Customized			
AB	ADDED "X" TO STUD TOPS	09583	12/7/09								

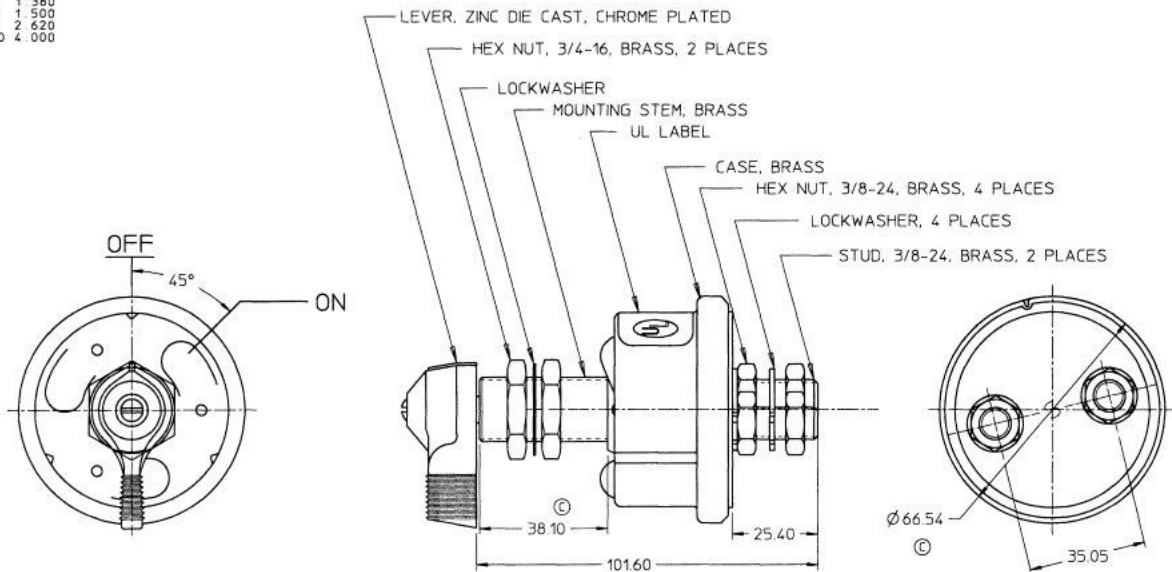
FORM CH1-4 (2007)

Use On or Repl.

Scale: 1:1 Drawn BY: VAK

Date Drawn: 10/19/04 Pg. 1 of 1

MM	IN
25.40	1.000
35.05	1.380
38.10	1.500
66.54	2.620
101.60	4.000

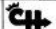


NOTES:

- SILVER LAMINATED CONTACT SURFACES
- CONTINUOUS RATING:
175 AMPS 6-12-24-36 VOLTS DC
- INTERMITTENT RATING:
800 AMPS 6-12-24-36 VOLTS DC
15 SECONDS ON, 5 MINUTES OFF
- ALL DIMENSIONS REFERENCE ONLY
- ALL STEEL PARTS PLATED
- IGNITION PROTECTED

C

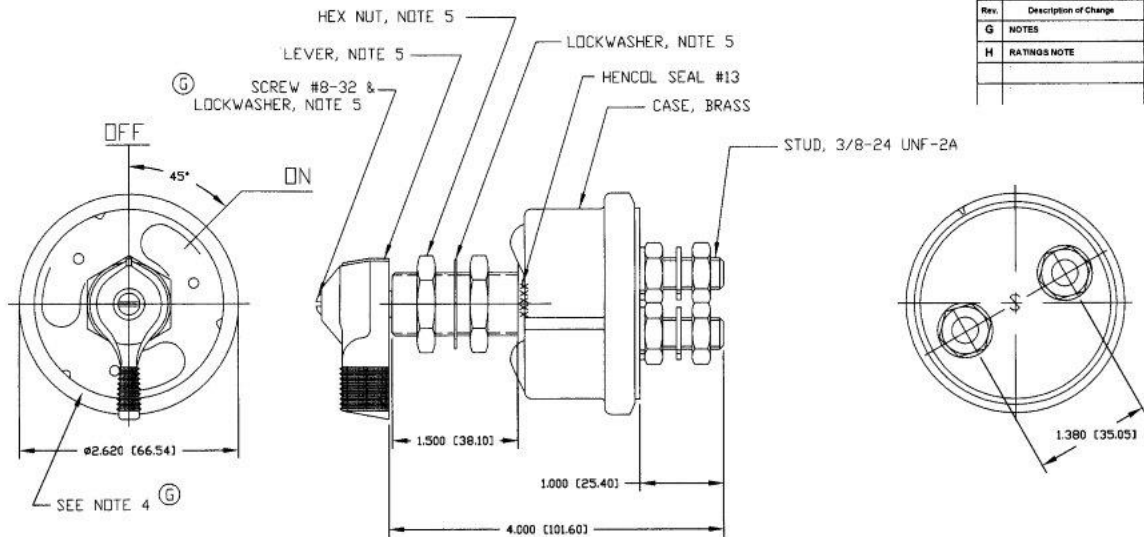
DO NOT SCALE

LET	WAS	DATE	BY	LET	WAS	DATE	BY	MATERIAL	DRAWN	CHK	APVD	SCALE	DATE DRAWN
									JAV	AP		1:1	2/8/79
								FINISH	 Cole Hersee Co. 20 OLD COLONY AVENUE, BOSTON, MA, U.S.A. 02127				DATE BLUEPRINTED
				C	NOT ON HAND ISSUED	3/1/78 8/16/79	DPS PY	TOLERANCES DECIMAL ± ANGLE ±	SWITCH, MASTER DISCONNECT				M 284-01

METRIC

Revision Control Record

Rev.	Description of Change	ECH No.	Date
G	NOTES	03015	1/15/03
H	RATINGS NOTE	05225	08/18/05



NOTES:

- SILVERED CONTACTS
- O-RING SEALED AT MOUNTING STEM
- GASKET SEALED AT TERMINAL INSULATOR
- PART NUMBER (M284-02) TO BE STAMPED AT RANDOM
- PARTS MAY BE ASSEMBLED OR SUPPLIED IN A PLASTIC BAG
- RATING:
CONTINUOUS RATING
175 AMP 6-12-24-36 VOLT DC
INTERMITTENT RATING
(H) 1000 AMP 6-12-24-36 VOLT DC
15 SEC ON 5 MIN OFF

TERMINALS: Unless otherwise specifically noted, the following are default assumptions:

- All wire Electrical Dimensions $\pm .01"$
- Insulator Electrical Dimensions $\pm .005"$
- Angular Dimensions $\pm .1$ Deg.

NOTE: Refer to equipment English Dimensional Tolerance and **NOTE:** All dimensions are dimension lines unless otherwise specified.

UNLESS OTHERWISE SPECIFIED: All dimensions are expressed in inches except those shown in brackets (mm) are expressed in millimeters.

SEE: "MIL-STD-13000-2" - Non-Tolerance Reference

UNLESS OTHERWISE SPECIFIED: All dimensions are expressed in inches except those shown in brackets (mm) are expressed in millimeters.

PROFESSIONAL APPROVAL: The Engineering Drawing, and the information contained hereon, is the property of Cole Hersee Company and may not be disclosed, reproduced, or in any other way transmitted or communicated to any other party without the express written consent of an authorized representative of Cole Hersee Company.

DESIGN CONTROL: It is the responsibility of the individual using this drawing to ensure that the fabricator design retains the original design of the subject level of the completed product. (Refer Drawing: This is a NON-COMMERCIAL DOCUMENT unless otherwise specified.)

DO NOT SCALE: Dimensional values may occur during printing/reproduction.

Special Characteristics

⊠ Critical Characteristics relating to Safety and/or Regulatory Compliance

⊡ Significant Characteristics relating to Process Control (SPC)

⊙ Critical Dimension relating to Form - Fit - Function as defined by Cole Hersee Company and/or the Customer

(Note that the identification of any Characteristics as being "Special" does not define the measurement tool, method, tolerances & tolerance used to make.)

Cole Hersee Co.

20 Old Colony Ave., South Boston, MA, 02127
Ph: 617-265-2100 Web: www.colehersee.com



Description: SWITCH, MASTER DISCONNECT

Drawing / Part No:

M-284-02

Current Rev.

H

Used On / or For:

Scale 1:1

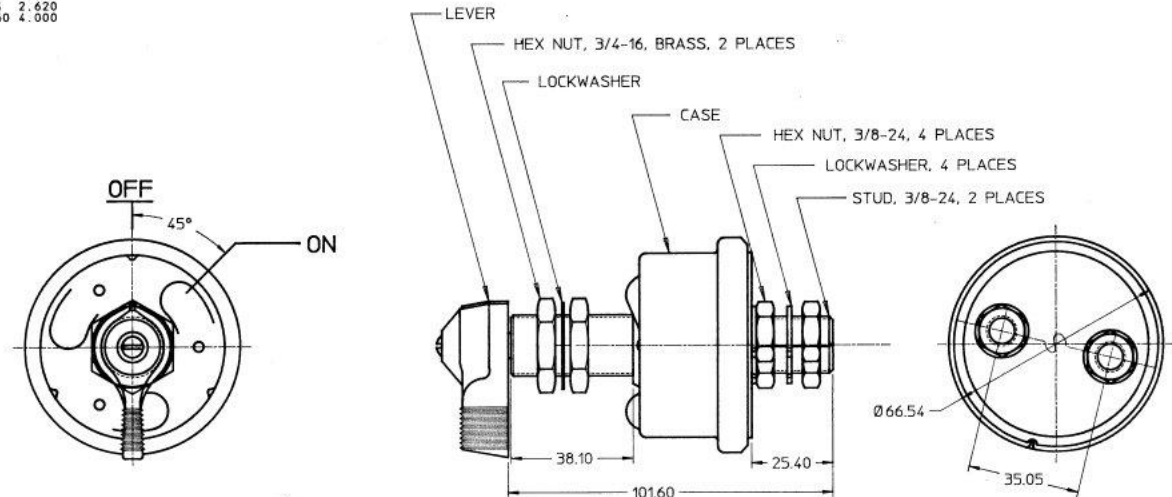
Drawn By: RC

Date Drawn: 11/4/80

Responsible Engineer:

Pg. 1

MM	IN
25.40	1.000
35.05	1.380
38.10	1.500
66.54	2.620
101.60	4.000



NOTES:

- SILVER LAMINATED CONTACT SURFACES
- CONTINUOUS RATING:
175 AMPS 6-12-24-36 VOLTS D.C.
INTERMITTENT RATING:
1000 AMPS 6-12-24-36 VOLTS D.C.
15 SECONDS ON, 5 MINUTES OFF
- ALL DIMENSIONS REF. ONLY

DO NOT SCALE
CAD GENERATED

LET.	WAS	DATE	BY	LET.	WAS	DATE	BY	MATERIAL	DRAWN	CHK	APVD	SCALE	DATE DRAWN
									PJB	KF		1:1	12/28/58
								FINISH	 Cole Hersee Co. <small>MANUFACTURING SERVICE DIVISION</small>				DATE BLUEPRINTED
								TOLERANCES DECIMALS ± ANGLES ±					SWITCH, MASTER DISCONNECT

METRIC