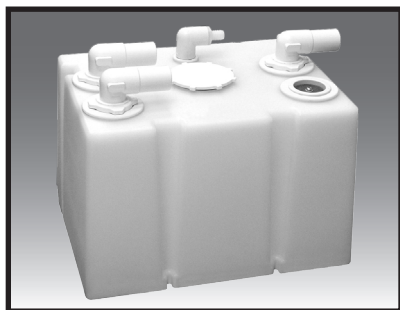


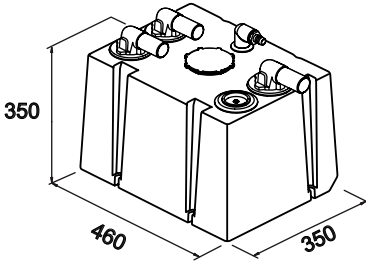
EN	Holding Tank System Instruction manual	8
DE	Schmutzwassertank-System Einbauanleitung	17
FR	Système de réservoir d'eaux noires Mode d'emploi	25
ES	Sistema de depósito de retención Manual de instrucciones	34
NL	Vuilwatertank-systeem Gebruiksaanwijzing	43
IT	Impianto del serbatoio di ritenzione Manuale di istruzioni	51
FI	Keräyssäiliöjärjestelmä Ohjekirja	59
SV	Avloppstank system Bruksanvisning	67
DA	Lagertanksystem Instruktionsvejledning	75
NO	Oppbevaringstank-system Brukerhåndbok	83



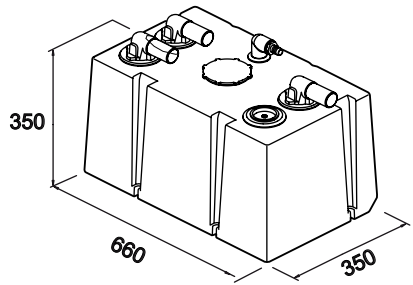
DHT-L Series Holding Tanks

1

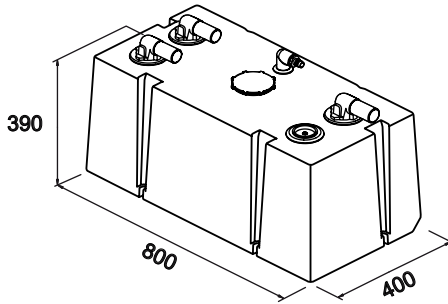
DHT42L



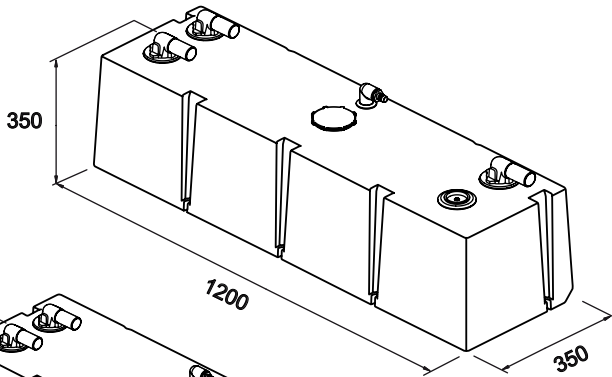
DHT61L



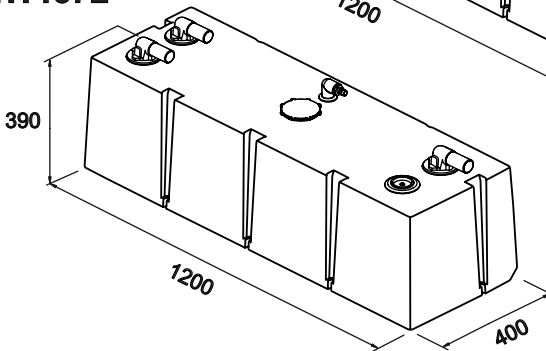
DHT88L



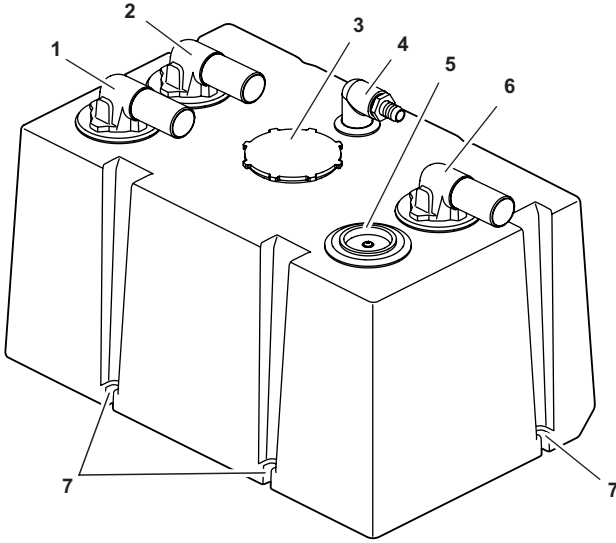
DHT110L



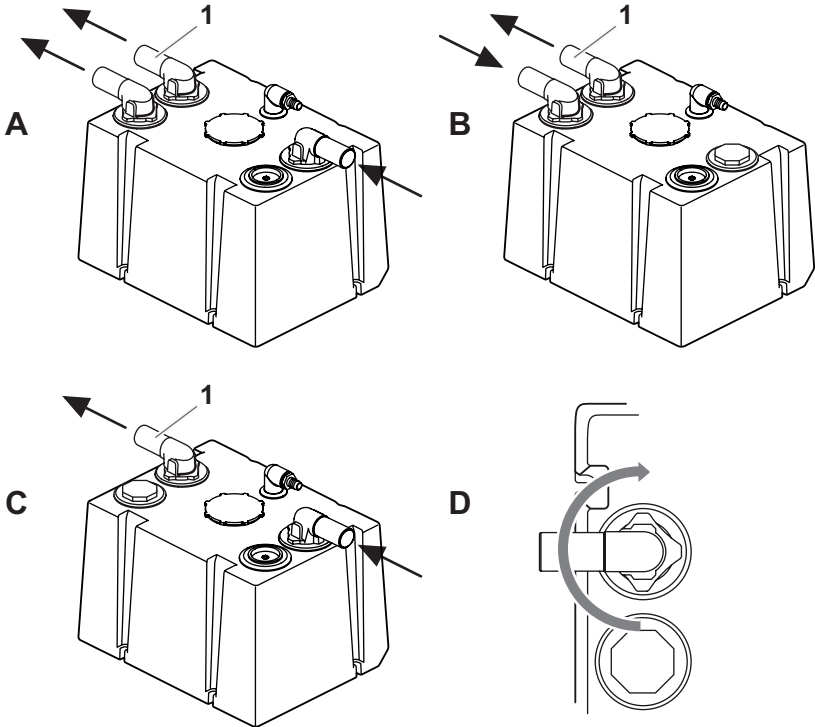
DHT137L

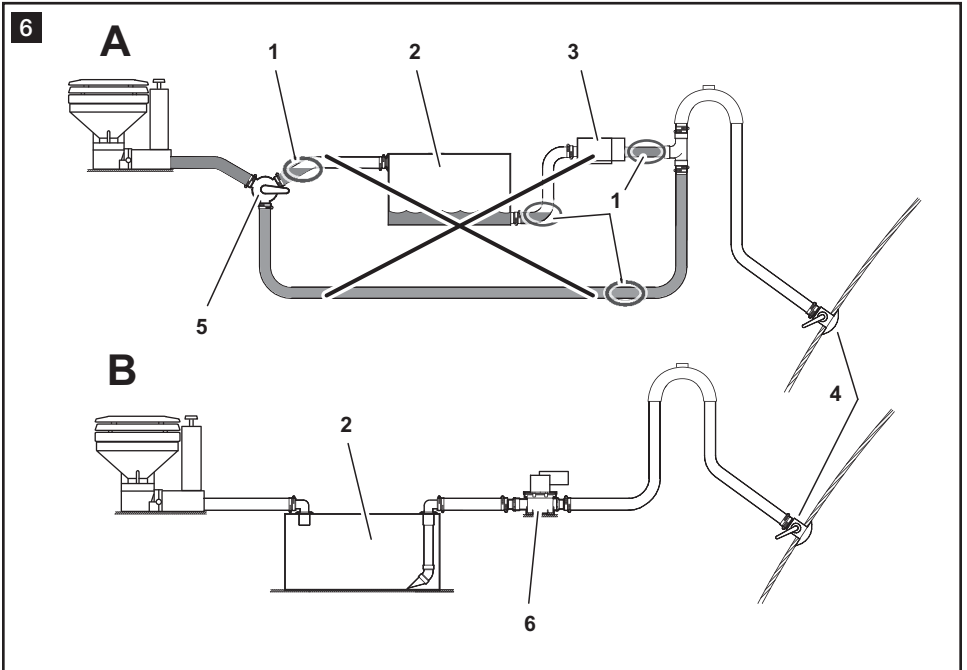
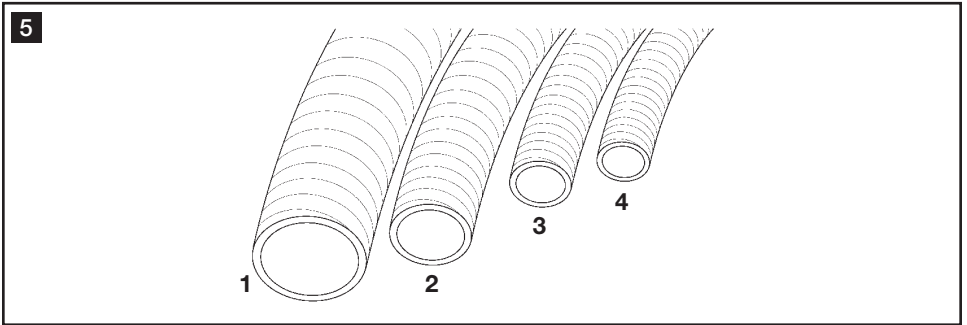
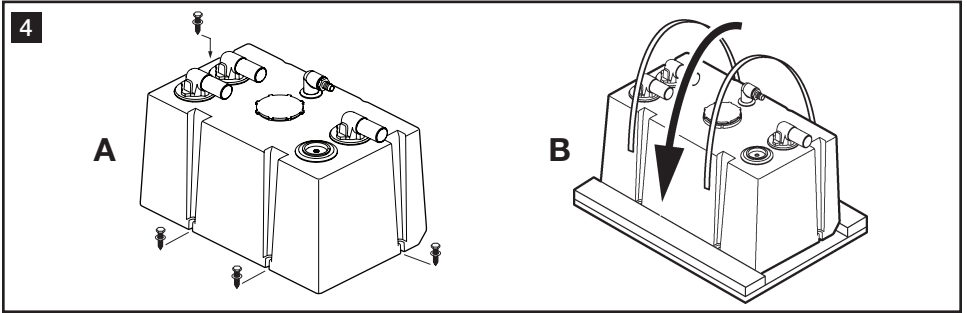


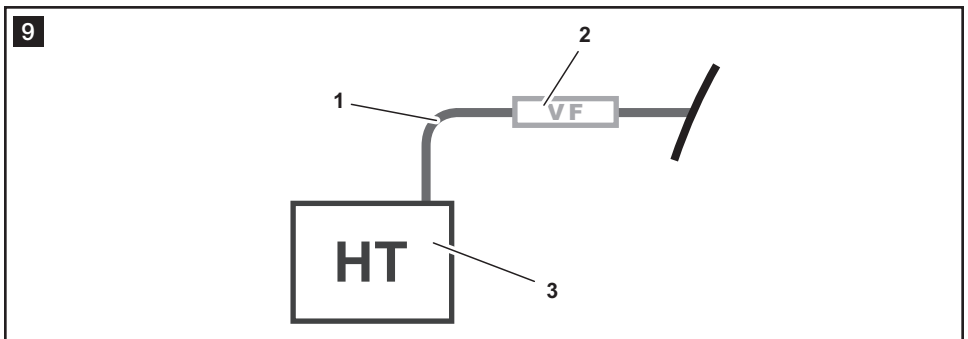
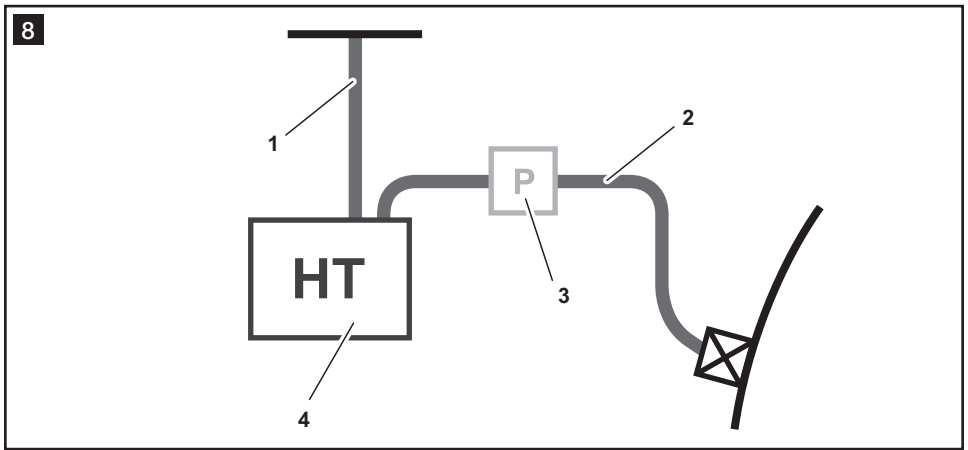
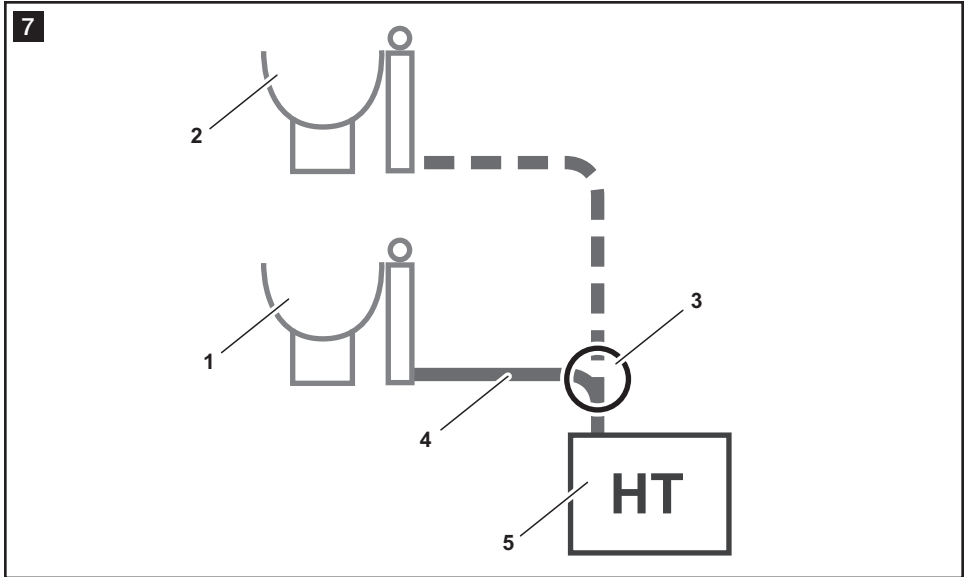
2



3

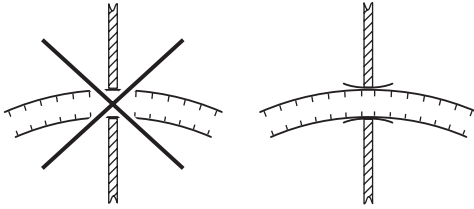




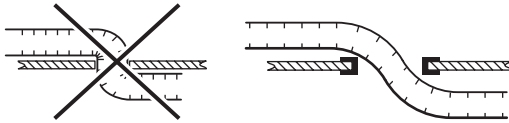


10

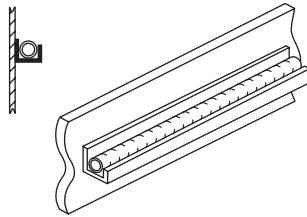
A



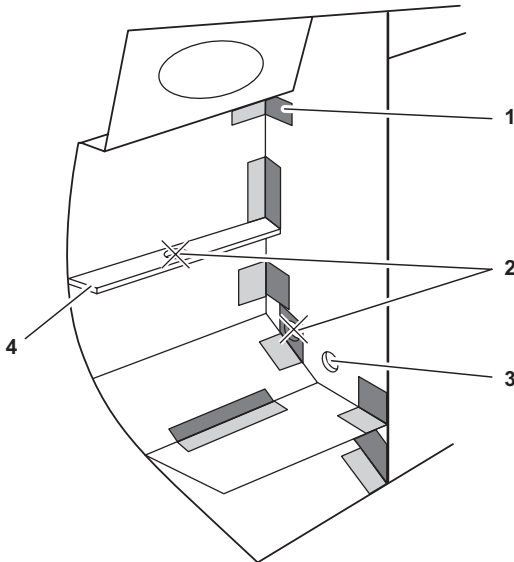
B



C



11



12



13

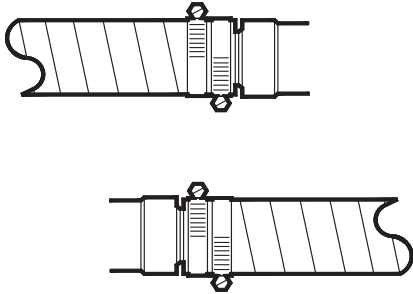


Table of contents

EN

1	Notes on using the manual	8
2	General safety instructions	8
3	Intended use	9
4	Components and Functions	9 - 10
5	Tank Installation	10 - 11
6	Hose Installation	11 - 14
7	Cleaning and Winterizing	14
8	Specifications	14
9	Warranty and Product Liability	15 - 16

1 Notes on using the manual



Caution!

Safety Instruction: Failure to observe this instruction can cause material damage and impair the function of the device.



Note

Supplementary information for operating the device.

fig. 2 1, page 3: This refers to an element in an illustration. In this example, item 1 in figure 2 on page 3.

2 General safety instructions

The manufacturer will not be held liable for claims for damage resulting from the following:

- Faulty assembly or connection
- Damage to the system or any components from mechanical influences, misuse or abuse
- Alterations to the holding tank system without express permission from the manufacturer
- Use for purposes other than those described in the operating manual

When using electrical devices to install this system, observe the following safety information to protect against:

- Electric shock
- Fire hazards
- Injury



Caution!

Before working on any part of an existing or newly installed component of a sanitary system, be sure all electrical power to system is turned off and all seacocks are in CLOSED or OFF position. Failure to do so can result in flooding, which can cause the loss of life or property.

3 Intended use

Dometic holding tank systems provide high-quality, long-lasting equipment to store toilet wastewater onboard a vessel, efficiently discharge the effluent at approved disposal facilities or in unrestricted waters, and prevent sewage from spoiling sensitive waters, such as marinas, near swimming beaches or over shellfish beds.

Dometic holding tanks may also be used for greywater use (water from showers, basins, clothes washers, etc.), provided that greywater is the only type of water entering the tank.



Note

Each fixture that discharges greywater into a holding tank must have a water trap seal to prevent odor from entering the living space.



Caution!

Boat operator must know local sewage discharge regulations.

3.1 Benefits of Dometic Holding Tanks

Leakproof design. Dometic holding tank fittings are connected on top of the tank, eliminating the possibility of leaking due to faulty connections below the level of the tank contents.

Odor-free, long-lasting performance. Tanks are made of linear low density polyethylene, the best material for holding tank construction because of its resistance to corrosion and odor permeation. It will last longer than the life of a typical hull.

Implosion protection. Heavy-duty tank and vacuum relief valve combine to prevent potential damage from dockside pumps that may operate at high levels of vacuum.

4 Components and Functions

Items in fig. 2 page 3	Description
1	38 mm (1.5 in.) ID outlet hose connection to deck fitting or seacock
2	38 mm (1.5 in.) ID outlet hose connection to deck fitting or seacock
3	inspection port or location for optional level indicator probe cap
4	16 mm (0.625 in.) ID ventilation hose connection
5	vacuum relief valve
6	38 mm (1.5 in.) ID inlet hose connection from toilet
7	integrated mounting feet (4 locations)



Note

Only one outlet fitting (1 or 2) can be converted to an inlet fitting if required. One outlet must remain in original location on tank. Inlet fitting on opposite side of tank (6) should not be converted to outlet fitting.

4.1 Features

- Pre-installed inlet and two outlets for dockside and seacock connections
- Inlet and outlet fittings rotate to facilitate hose connection from virtually any direction (fig. 3 D, page 3)
- Discharge tubes have special non-clogging design
- Vacuum relief valve protects tank from over-pressure collapse
- Extra fittings allow tank conversion to various inlet and outlet configurations
 - one inlet, two outlets (fig. 3 A, page 3)
 - one inlet, one outlet on same side of tank (fig. 3 B, page 3)
 - one inlet, one outlet on different sides of tank (fig. 3 C, page 3)
- Meets ISO 8099 requirements

5 Tank Installation

5.1 Choose a location for the holding tank

A holding tank should be positioned as low in the hull as possible. Most connecting hoses and pipes should slope downward toward the tank to permit gravity drainage and prevent possible hose odor permeation. Hose connected to an overboard discharge pump should drain away from the tank.



Caution!

The holding tank should not be exposed to temperatures above 45°C (120°F). Do not place tank near heat sources such as engine manifolds, water heaters, generators, etc.

In addition to dimensions of tank (fig. 1 , page 2), allow 16 cm (about 6 inches) above tank to easily make plumbing connections.

SERVICE ACCESS – Because Dometic holding tanks may require minimal service in normal operation, the tank must be installed so that there is easy access to the inspection port.

5.2 Prepare a mounting surface

Determine properly located surface that will support the entire area of the tank. If a mounting surface needs to be fabricated, use marine grade plywood at least 13 mm thick. If installing with restraining straps, include toe blocks on mounting surface (fig. 4 B, page 4).

5.3 Install tank on mounting surface

Integrated Mounting Feet Installation (fig. 4 A, page 4)

In the four mounting feet locations around bottom of tank, use at least 6 mm dia. (#12) fasteners with 19 mm maximum dia. (0.75 in.) washers to fasten tank to surface.

Restraining Strap Installation (fig. 4 B, page 4)

With restraining straps of 31 mm (1.25 in.) maximum width, fasten straps over top of tank to mounting surface on both sides of tank, positioning the straps within the channels on the tank.



Caution!

Do not install tank on projections, such as fastener heads, which could puncture the tank. Do not allow holding tank to block free flow of bilge water.

**Note**

Fasteners (lag bolts, screws, washers, etc.) and restraining straps are not supplied with Dometic holding tank.

6 Hose Installation

6.1 Hose selection

Dometic holding tanks are pre-assembled with 38 mm (1.5 in.) and 16 mm (0.625 in.) ID hose connection fittings. If your sanitation system uses hoses other than these sizes, you may either use fitting adapters to convert from the Dometic fitting sizes to your current hose, or install new hose to match the Dometic tank fittings.

If installing new hose, Dometic OdorSafe® Plus sanitation hose provides the best protection against hose odor permeation for toilet and holding tank discharge lines, and is available in 38 mm (1.5 in.) ID only. Dometic MaxFlex™ hose is available in all the sizes that are listed in the Sanitation, Vent Hose Size Guide (right), and provides high-quality odor-resistance.

Sanitation, Vent Hose Size Guide (fig. 5, page 4)

Item	Description
1	38 mm (1.5 in.) ID sanitation hose
2	25 mm (1 in.) ID sanitation hose
3	19 mm (0.75 in.) ID vent hose
4	16 mm (0.625 in.) ID vent hose

6.2 Hose layout

Key to (fig. 6, page 4)

Ref.	Description
A	complicated plumbing layout
B	simple plumbing layout
1	problem hose
2	holding tank

Ref.	Description
3	macerator pump
4	seacock (overboard discharge)
5	wye valve
6	discharge pump

Diagram A indicates an incorrect installation with multiple hose runs that can retain trapped liquids and cause hose odor permeation. Diagram B shows a simplified, highly efficient plumbing system that can be achieved with Dometic's specially integrated holding tank system design.

Different marine toilet manufacturers use different sizes of outlets. Check outlet size of toilet(s) or size of toilet discharge hose(s) that will connect to holding tank.

- If connecting previous toilet discharge hose to new tank, use adapter fitting to connect to 38 mm tank inlet fitting, if necessary.
- If installing new hose from toilet to tank, use 38 mm ID Dometic OdorSafe Plus hose. Use adapter fitting between toilet and hose, if necessary.
- Use 90° elbow fittings to make bends when radius is less than 210 mm.
- A second inlet fitting is provided with the Dometic holding tank if a separate inlet fitting is preferred and only one outlet fitting is required.
- OdorSafe Plus hose or rigid pipe should be installed on hose runs that may retain sewage.
- Some existing seacocks and through-hull discharge fittings may be 25 mm in diameter. If so, use a 38 mm x 25 mm reducer and 25 mm MaxFlex sanitation hose.



Note

A valve with a lockable handle must be on all through-hull fittings that emit sewage.



Note

Maintenance valves must be installed in any piping runs which retain liquid and are connected to components which require periodic servicing.



Caution – Flooding Hazard!

If the toilet, holding tank or any components are connected to **any** through-hull fittings, properly installed seacocks **must** be installed in all piping connected to the through-hull fittings. Seacocks **must** be easily accessible to all users of the system. All valves **must** be full-bore valves and of marine (corrosion resistant) quality. Screw-to-close gate valves are not recommended. Failure to do so can result in flooding, which can cause the loss of life and property.



Caution – Flooding Hazard!

Some marine practices and/or standards require the installation of a properly positioned ventilated (vented) loop in the discharge piping to prevent back-siphonage of seawater into the holding tank. It is up to the system installer and boat owner to select appropriate means of preventing backflow into the holding tank.

Marine Toilet to Holding Tank (fig. 7, page 5)

Item	Description
1	First marine toilet (25, 38, or 40 mm discharge)
2	Second marine toilet (25, 38, or 40 mm discharge)
3	Wye or Tee fitting (must be installed in direction of flow)
4	Hose from toilets to holding tank
5	Holding tank

Discharge Hoses (fig. 8, page 5)

Item	Description
1	Discharge hose to deck fitting (38 mm ID)
2	Discharge hose to seacock and discharge fitting (38 mm ID)
3	Discharge pump
4	Holding tank

Vent Hose (fig. 9 , page 5)

Item	Description
1	Vent hose
2	Vent filter
3	Holding tank

- Vent fitting on Dometic holding tank will accommodate 16 mm ID vent hose.
- Install a Dometic vent filter in the vent line to absorb malodorous gases, letting only freshened air out of the vent.

**Note**

Vent line must not have any low runs that can create a liquid trap.

6.3 Recommended hose installation methods

Do not restrict the ability to pull the hose or pipe (fig. 10 A, page 6).

Avoid binding corners and sharp bends (fig. 10 B, page 6).

Do not use wire ties to secure hose or pipe. Support flexible hose every 0.3 m (12 inches) and support rigid pipe every 1.5 m (5 feet).

Where possible use a support trough under the hose or pipe (fig. 10 C, page 6).

Bulkhead Penetrations (fig. 11 , page 6)

Check each side of a bulkhead to ensure that there will be no cutting into:

- fuel or water tanks
- wiring or pipes
- reinforcement stringers (4) that support the hull

When creating new holes, avoid tabs (1) and stringers (4) that hold bulkheads or partitions in place. Provide additional reinforcement so that structural integrity is not compromised.

- avoid (2)
- possible (3)

Hose and Heat Sources

The operating temperature of flexible hose prohibits exposure to sources of high or direct heat, such as light bulbs or engine manifolds. If any part of the hose system must be run close to a heat source, use rigid pipe instead of hose.

6.4 Connecting hose to plastic fittings

When connecting flexible hose to plastic fittings (fig. 12 , page 7), use special hose lubricant which is supplied with the Dometic holding tank. Apply lubricant around end of fitting and inside end of hose that connects to fitting. The Dometic lubricant makes connections easier. Do not use any other lubricant, sealant or adhesive.

Hose Clamps (fig. 13 , page 7)

Each hose connection should be secured with two hose clamps to prevent possibility of leaks.

Position the clamp screws 180° apart from each other and tighten the clamp. Do not over-tighten clamps or they may cut into the hose. If over-tightening is the only way to stop a leak, the hose-to-fitting connection is not sized correctly, and an adapter or different size fitting is required.

Avoid clamps with nickel-plated screws that are susceptible to corrosion. Use 100 percent stainless steel clamps.



Note

If a clamp screw is slightly magnetic, it may be either a lower grade of stainless steel or nickel plated.

7 Cleaning and Winterizing

7.1 Cleaning

A small amount of water remains in holding tanks at all times, so it is good practice to rinse a holding tank completely after contents have been discharged.

1. After initial pump-out, add holding tank deodorant or cleaner to toilet bowl, and flush with water.
2. Continue flushing and pumping out tank until holding tank discharge is clear.

7.2 Winterizing

Use only propylene glycol freshwater antifreeze to winterize the holding tank. **Make sure the antifreeze does not contain alcohol.**

1. Pump out the holding tank.
2. Thoroughly flush system with fresh water before adding propylene glycol freshwater antifreeze to the holding tank.

8 Specifications

Materials

Holding tank: polyethylene; 6.3 mm nominal wall thickness. Natural color.

Fittings: polyvinyl chloride, ABS. White color.

Sealing grommets: cross-linked EPDM rubber/polypropylene. White color.

Model	Capacity L / US gal.	Empty Weight Kg / lb.	Full Weight Kg / lb.	Dimensions mm / in.
DHT42L	42 / 11	5.4 / 12	47.9 / 105.5	460 x 350 x 348 / 18.1 x 13.8 x 13.7
DHT61L	61 / 16	7.7 / 17	69.4 / 153	660 x 350 x 348 / 26.0 x 13.8 x 13.7
DHT88L	88 / 23	10.2 / 22.5	98.9 / 218	800 x 400 x 388 / 31.5 x 15.7 x 15.3
DHT110L	110 / 29	14 / 30.9	125.9 / 277.4	1200 x 350 x 348 / 47.2 x 13.8 x 13.7
DHT137L	137 / 36	14.5 / 32	153.3 / 338	1200 x 400 x 388 / 47.2 x 15.7 x 15.3

Dometic DHT-L series holding tanks are pressure-tested to 30 kPa (0.3 bar, 4 PSI).

9 Warranty and Product Liability

Europe:

Warranty and Customer Service

Warranty arrangements are in accordance with EC Directive 44/1999/CE and the normal conditions applicable for the country concerned. For warranty or other service, please contact our Dometic/Waeco Service department listed elsewhere in this manual. Any damage due to improper use is not covered by the warranty.

The warranty does not cover any modifications to the product or the use of non-original Dometic parts; the warranty does not apply if the installation and operating instructions are not adhered to and no liability shall be entertained.

Product Liability

Product liability of Dometic Group and its subsidiary companies does not include damages which may arise from: faulty operation; improper alterations or intervention in the equipment; adverse effects from the environment which may impact the equipment itself or the direct vicinity of the equipment or persons in the area.

To obtain warranty service, first contact your local dealer from whom you purchased this product or go to <http://www.dometic.com> to locate a dealer near you.

North America and Rest of the World:

Manufacturer's Limited Warranty

Dometic Corporation, Sanitation Division warrants to the original purchaser only that this product, if used for personal, family or household purposes, is free from defects in material and workmanship for a period of one year from the date of purchase.

If this Dometic product is placed in commercial or business use, it will be warranted to the original purchaser only to be free of defects in material and workmanship for a period of ninety (90) days from the date of purchase.

Dometic reserves the right to replace or repair any part of this product that proves, upon inspection by Dometic, to be defective in material or workmanship. All labor and transportation costs or charges incidental to warranty service are to be borne by the purchaser-user.

EXCLUSIONS

IN NO EVENT SHALL DOMETIC BE LIABLE FOR INCIDENTAL OR CONSEQUENTIAL DAMAGES, FOR DAMAGES RESULTING FROM IMPROPER INSTALLATION, OR FOR DAMAGES CAUSED BY NEGLIGENCE, ABUSE, ALTERATION OR USE OF UNAUTHORIZED COMPONENTS. ALL IMPLIED WARRANTIES, INCLUDING ANY IMPLIED WARRANTY OF MERCHANTABILITY OR FITNESS FOR ANY PARTICULAR PURPOSE, ARE LIMITED TO A PERIOD OF ONE YEAR FROM DATE OF PURCHASE.

(continued on next page)

IMPLIED WARRANTIES

No person is authorized to change, add to, or create any warranty or obligation other than that set forth herein. Implied warranties, including those of merchantability and fitness for a particular purpose, are limited to one (1) year from the date of purchase for products used for personal, family or household purposes, and ninety (90) days from the date of purchase for products placed in commercial or business use.

OTHER RIGHTS

Some states do not allow limitations on the duration of an implied warranty and some states do not allow exclusions or limitations regarding incidental or consequential damages; so, the above limitations may not apply to you. This warranty gives you specific legal rights, and you may have other rights which vary from state to state.

To obtain warranty service, first contact your local dealer from whom you purchased this product or go to <http://www.dometic.com> to locate a dealer near you.

Inhalt

DE

1	Hinweise zur Benutzung der Einbauanleitung	17
2	Grundlegende Sicherheitshinweise	17
3	Vorgesehene Verwendung	18
4	Komponenten und Funktionen	18 - 19
5	Tankeinbau	19 - 20
6	Schlauchinstallation	20 - 23
7	Reinigen und winterfest machen	23
8	Spezifikationen	23 - 24
9	Garantie und Produkthaftung	24

1 Hinweise zur Benutzung der Einbauanleitung



Achtung!

Sicherheitshinweis: Nichtbeachtung kann zu Materialschäden führen und die Funktion des Gerätes beeinträchtigen.



Hinweis

Ergänzende Informationen zur Bedienung des Gerätes.

Abb. 2 1, Seite 3 : Bezeichnet ein Element in einer Illustration. In diesem Beispiel Element 1 in Abbildung 2 auf Seite 3.

2 Grundlegende Sicherheitshinweise

Der Hersteller übernimmt keine Haftung für Schäden aufgrund von

- Montage- oder Anschlussfehlern
- Schäden am Gerät durch mechanische Einwirkung
- Modifikationen am Gerät ohne ausdrückliche Genehmigung des Herstellers
- Verwendung für andere als die in der Anleitung beschriebenen Zwecke.

Wenn Sie für den Einbau des Systems elektrische Geräte verwenden, beachten Sie die folgenden Sicherheitshinweise. Diese Hinweise dienen dem Schutz vor:

- Elektrischem Schlag
- Brandgefahr
- Verletzung



Achtung!

Bevor Sie an einem vorhandenen oder neu installierten Bauteil einer Sanitäranlage arbeiten, vergewissern Sie sich, dass die elektrische Stromversorgung des Systems ausgeschaltet ist und sich alle Seeventile in der Position geschlossen oder aus befinden. Andernfalls kann es zu einer Überflutung kommen. Es besteht die Gefahr von Unfällen mit Todesfolge oder Vermögensschäden.

3 Vorgesehene Verwendung

Dometic Schmutzwassertank-Systeme sind hochwertige, langlebige Anlagen zum Auffangen von Toilettenabwässern auf Booten. Diese Abwässer können anschließend an den zugelassenen Entsorgungseinrichtungen (bzw. in Gewässern, in denen die unbedenkliche Entsorgung von Abwässern gestattet ist) effizient entsorgt werden. Die Systeme verhindern die Verseuchung sensibler Gewässerbereiche z. B. an Marinas, strandnahen Abschnitten oder Muschelbänken

Dometic Schmutzwassertanks sind auch für Grauwasser (Wasser aus Duschen, Becken, Waschmaschinen, usw.) geeignet, sofern ausschließlich Grauwasser in den Tank eingeleitet wird.



Hinweis

Alle Leitungen, über die Grauwasser in den Schmutzwassertank eingeleitet wird, müssen mit Geruchsverschluss ausgerüstet werden, damit der Aufenthaltsbereich geruchfrei bleibt.



Achtung!

Der Bootsbetreiber muss mit den örtlichen Bestimmungen zur Abwassereinleitung vertraut sein.

3.1 Vorteile von Dometic Schmutzwassertanks

Lecksichere Konstruktion. Auf der Tankoberseite sind Dometic Armaturen angeschlossen. Diese verhindern, dass durch fehlerhaftes Anschließen unterhalb des Tankfüllstands Lecks auftreten.

Geruchsfreier, langlebiger Betrieb. Die Tanks sind aus PE-LLD (lineares Polyethylen niederer Dichte) gefertigt. Dieser Werkstoff ist wegen seiner Korrosionsfestigkeit und Geruchsbeständigkeit das beste Material für Schmutzwassertanks. Die Tanks sind langlebiger als ein handelsüblicher Bootsrumpf.

Implosionsschutz. Die Kombination aus hochbelastbarem Tank und Vakuum-Druckausgleichsventil verhindert Schäden durch landseitige Pumpen, die mit starkem Unterdruck arbeiten

4 Komponenten und Funktionen

Teile in Abb. 2 , Seite 3	Beschreibung
1	Schlauchanschluss (38 mm / 1,5 Zoll ID) zum Deckstutzen oder Seeventil
2	Schlauchanschluss (38 mm / 1,5 Zoll ID) zum Deckstutzen oder Seeventil
3	Schauöffnung oder Ort für optionalen Füllstandsmesser
4	Anschluss für Entlüftungsschlauch (16 mm / 0,625 Zoll ID)
5	Druckausgleichsventil
6	Anschluss für Einlassschlauch von der Toilette (38 mm / 1,5 Zoll ID)
7	integrierte Montagefüße (an 4 Stellen)

**Hinweis**

Nur einer der Auslassstutzen (1 oder 2) kann bei Bedarf in einen Einlassstutzen umgewandelt werden. Ein Auslass muss an der ursprünglichen Stelle am Tank verbleiben. Der Einlassstutzen an der gegenüber liegenden Seite des Tanks (6) sollte nicht in einen Auslassstutzen umgebaut werden.

4.1 Eigenschaften

- Vorinstallierter Einlass und zwei Auslässe für landseitigen Anschluss und Seeventilanschluss.
- Einlass- und Auslassstutzen sind drehbar, um den Schlauchanschluss aus nahezu beliebiger Richtung zu ermöglichen (Abb. **3** D, Seite 3).
- Die Auslassrohre haben ein spezielles verstopfungssicheres Design.
- Das Druckausgleichsventil schützt den Tank vor der Zerstörung durch Überdruck.
- Extra-Armaturen ermöglichen den Umbau des Tanks für verschiedene Einlass-/Auslass-Konfigurationen
 - ein Einlass, zwei Auslässe (Abb. **3** A, Seite 3)
 - ein Einlass, ein Auslass auf derselben Tankseite (Abb. **3** B, Seite 3)
 - ein Einlass, ein Auslass auf verschiedenen Tankseiten (Abb. **3** C, Seite 3)
- Erfüllt die Anforderungen von ISO 8099.

5 Tankeinbau

5.1 Wählen Sie einen Aufstellungsort für den Schmutzwassertank aus.

Der Schmutzwassertank sollte so tief wie möglich im Schiffsrumpf positioniert werden. Die meisten Verbindungsschläuche und Rohrleitungen sollten ein Gefälle zum Tank haben, um eine Entwässerung durch Schwerkraft zuzulassen und einer möglichen Geruchsentwicklung durch den Schlauch vorzubeugen. Der an die Über-Bord-Auslasspumpe angeschlossene Schlauch sollte vom Tank wegführen.

**Achtung!**

Der Schmutzwassertank sollte keinen Temperaturen über 45 °C (120 °F) ausgesetzt werden. Stellen Sie den Tank nicht in der Nähe von Wärmequellen, wie Krümmern der Maschine, Wasserboilern, Generatoren, usw. auf.

Lassen Sie zusätzlich zu den Maßen des Tanks (Abb. **1**, Seite 2) über dem Tank 16 cm (ca. 6 Zoll) frei, um die Anschlussarbeiten zu erleichtern.

ZUGANG FÜR WARTUNG – Da Schmutzwassertanks von Dometic im Regelbetrieb unter Umständen geringfügige Wartungsarbeiten erfordern, muss der Tank so installiert werden, dass die Inspektionsöffnung gut zugänglich ist.

5.2 Vorbereiten einer Einbaufläche

Wählen Sie eine Stellfläche in geeigneter Lage, die den gesamten Tank tragen kann. Wenn eine Einbaufläche hergestellt werden muss, verwenden Sie seewasserfestes Sperrholz von mindestens 13 mm Dicke. Wenn der Tank mit Spanngurten gesichert wird, verstärken Sie die Kanten der Einbaufläche (Abb. **4** B, Seite 4).

5.3 Aufstellen des Tanks auf der Einbaufläche

Einbau an den integrierten Montagefüßen (Abb. **4** A, Seite 4)

Befestigen Sie den Tank an den vier Montagefüßen auf der Einbaufläche. Verwenden Sie dazu Schrauben (Nr. 12) mit mindestens 6 mm Durchmesser und Unterlegscheiben mit höchstens 19 mm Durchmesser.

Einbau mit Spanngurten (Abb. **4** B, Seite 4)

Befestigen Sie den Tank auf beiden Seiten mit Spanngurten (maximal 31 mm / 1,25 Zoll breit) auf der Einbaufläche. Führen Sie die Spanngurte über die Gurtführungen, die beidseitig auf der Tankoberfläche eingelassen sind.

**Achtung!**

Stellen Sie den Tank nicht auf herausstehende Objekte (z. B. auf Schraubenköpfe), da er sonst beschädigt werden kann. Achten Sie darauf, dass der Schmutzwassertank nicht den freien Fluss des Bilgewässers behindert.

**Hinweis**

Die Befestigungsmittel (Schrauben, Unterlegscheiben usw.) und Spanngurte gehören nicht zum Lieferumfang des Dometic Schmutzwassertanks.

6 Schlauchinstallation

6.1 Schlauchauswahl

Dometic Schmutzwassertanks sind mit Schlauchanschlussstutzen von 38 mm (1,5 Zoll) und 16 mm (0,625 Zoll) Innendurchmesser vormontiert. Wenn in Ihrem Sanitärsystem andere Schlauchgrößen verwendet werden, passen Sie die Dometic Stutzen mit entsprechenden Adaptern auf die vorhandene Schlauchgröße an, oder bauen Sie einen neuen Schlauch ein, der auf die Dometic Tankstutzen passt.

Wenn Sie einen neuen Schlauch installieren, bietet der Dometic OdorSafe® Plus-Sanitärschlauch für Toiletten- und Schmutzwassertank-Auslassleitungen den besten Schutz vor Geruchsdurchdringung. Dieser Schlauch ist nur mit 38 mm (1,5 Zoll) Innendurchmesser verfügbar. Dometic MaxFlex™ Schlauch ist in allen Größen erhältlich, die unter „Entlüftungsschlauchgrößen für Sanitärsysteme“ (rechts) angegeben sind, und bietet hochwertigen Schutz vor Geruchsdurchdringung.

6.2 Schlauchaufbau

Schlüssel (Abb. **6**, Seite 4)

Ref.	Beschreibung
A	Komplizierter Installationsaufbau
B	Vereinfachter Installationsaufbau
1	Problemschlauch
2	Schmutzwassertank

Ref.	Beschreibung
3	Fäkalienpumpe
4	Seeventil (Über-Bord-Auslass)
5	Y-Ventil
6	Auslasspumpe

Entlüftungsschlauchgrößen für Sanitärsysteme

(Abb. **5**, Seite 4)

Feld	Beschreibung
1	Sanitärschlauch (38 mm / 1,5 Zoll ID)
2	Sanitärschlauch (25 mm / 1 Zoll ID)
3	Entlüftungsschlauch (19 mm / 0,75 Zoll ID)
4	Entlüftungsschlauch (16 mm / 0,625 Zoll ID)

Diagramm A zeigt eine falsche Installation mit mehreren Schlauchläufen, in denen sich Flüssigkeit ansammeln und Geruchsbildung entstehen kann. Diagramm B zeigt eine vereinfachte, hocheffiziente Installation mit dem speziell integrierten Schmutzwassertanksystem von Dometic.

Die Hersteller verwenden unterschiedliche Auslassdurchmesser. Überprüfen Sie die Auslassgröße der Toilette(n) oder der Toiletten-Auslassschläuche, die am Schmutzwassertank angeschlossen werden.

- Wenn Sie einen bereits vorhandenen Toiletten-Auslassschlauch an den 38 mm-Tankeinlassstutzen des neuen Tanks anschließen möchten, verwenden Sie einen passenden Adapterstutzen.
- Wenn Sie eine neue Schlauchleitung von der Toilette zum Tank verlegen, verwenden Sie 38 mm-Schlauch des Typs Dometic OdorSafe Plus. Falls erforderlich, installieren Sie zwischen Toilette und Schlauch einen Adapterstutzen.
- Bei Krümmungen mit einem Radius unter 210 mm verwenden Sie ein 90°-Kniestück.
- Mit dem Dometic Schmutzwassertank wird ein zweiter Einlassstutzen geliefert. Diesen können Sie verwenden, wenn ein separater Einlassstutzen bevorzugt wird und nur ein Auslassstutzen erforderlich ist.
- Installieren Sie in alle Schlauchläufe, in denen sich Abwasser sammeln kann, OdorSafe Plus-Schläuche oder feste Rohrleitungen.
- Manche Seeventile und Borddurchlässe haben einen Durchmesser von 25 mm. Verwenden Sie in einem solchen Fall ein 38 mm x 25 mm Schlauchreduzierstück und einen 25 mm-MaxFlex-Schlauch.



Hinweis

Alle Borddurchlässe, aus denen Abwässer abgegeben werden, müssen mit einem Ventil mit abschließbarem Griff ausgerüstet sein.



Hinweis

In allen Flüssigkeit führenden Rohrläufen, die mit regelmäßig zu wartenden Bauteilen verbunden sind, müssen Wartungsventile eingebaut werden.



Achtung! – Überflutungsgefahr!

Wenn die Toilette, der Schmutzwassertank oder ein anderes Bauteil an Borddurchlässe angeschlossen ist, müssen in alle Rohrleitungen, die mit Borddurchlässen verbunden sind, Seeventile ordnungsgemäß installiert werden. Die Seeventile müssen für alle Benutzer des Systems leicht zugänglich sein. Bei allen Ventilen muss es sich um Ventile mit vollem Durchlass handeln, die seewasserfest (korrosionsbeständig) sind. Schieberventile mit Schraubverschluss werden nicht empfohlen. Andernfalls kann es zu Überflutungen kommen. Es besteht die Gefahr von Unfällen mit Todesfolge und/oder Vermögensschäden.

Bordtoilette zum Schmutzwassertank (Abb. 7, Seite 5)

Feld	Beschreibung
1	Erste Bordtoilette (Auslass: 25, 38 oder 40 mm)
2	Zweite Bordtoilette (Auslass: 25, 38 oder 40 mm)
3	Y oder T-Stück (muss in Durchflussrichtung installiert werden)
4	Schlauch von den Toiletten zum Schmutzwassertank
5	Schmutzwassertank

Auslassschläuche (Abb. 8, Seite 5)

Feld	Beschreibung
1	Druckschlauch zum Deckstutzen (38 mm ID)
2	Druckschlauch zum Meerwasserhahn und Auslassstutzen (38 mm ID)
3	Auslasspumpe
4	Schmutzwassertank



Achtung! – Überflutungsgefahr!

Einige maritime Praktiken und/oder Normen erfordern die Installation einer ordnungsgemäß positionierten belüfteten (entgasten) Schleife in der Auslassverrohrung, um den Rückfluss des Seewassers durch Siphonwirkung in den Schmutzwassertank zu verhindern. Der Installateur und der Bootseigner sind für die Auswahl der geeigneten Mittel verantwortlich, um den Rückfluss in den Tank zu verhindern.

Entlüftungsschlauch (Abb. 9, Seite 5)

Feld	Beschreibung
1	Entlüftungsschlauch
2	EntlüftungsfILTER
3	Schmutzwassertank

- Am Entlüftungsstutzen des Dometic Schmutzwassertanks wird ein Entlüftungsschlauch mit 16 mm ID angeschlossen.
- IBauen Sie einen Dometic EntlüftungsfILTER in die Entlüftungsleitung ein. Der Filter absorbiert überreichende Gase, sodass die Luftöffnung nur aufgefrischte Luft entweichen lässt.



Hinweis

Die Entlüftungsleitung darf keine hängenden Schlaufen bilden, in denen sich Flüssigkeit ansammeln kann.

6.3 Empfohlene Verfahren zur Schlauchinstallation

Der Schlauch bzw. das Rohr muss in Laufrichtung flexibel angebracht (ziehbar) sein (Abb. 10 A, Seite 6).

Vermeiden Sie Kanten oder scharfe Biegungen (Abb. 10 B, Seite 6).

Binden Sie den Schlauch oder das Rohr nicht mit Drähten fest. Stützen Sie flexiblen Schlauch alle 0,3 m (12 Zoll) und steifes Rohr alle 1,5 m (5 Fuß).

Verlegen Sie den Schlauch oder das Rohr nach Möglichkeit auf einer Leitungsrinne (Abb. 10 C, Seite 6).

Schottdurchführungen (Abb. 11, Seite 6)

Überprüfen Sie beide Seiten eines Schotts, um sicherzustellen, dass folgende Komponenten nicht beschädigt werden:

- Kraftstoff- oder Wassertanks
- Kabel oder Rohrleitungen
- Stringer (4) (die Längsversteifungen des Rumpfes)

Wenn Sie neue Bohrungen anlegen, bohren Sie nicht durch die Verbindungselemente (1) und Stringer (4), die die Schotte oder Querwände halten. Sorgen Sie für weitere Verstärkung, damit die strukturelle Integrität nicht beeinträchtigt wird.

- vermeiden (2)
- möglich (3)

Schläuche und Wärmequellen

Aufgrund ihrer Betriebstemperatur dürfen flexible Schläuche auf keinen Fall in der Nähe sehr heißer oder direkter Wärmequellen, wie Glühbirnen oder Krümmern von Motoren, verlegt werden. Wenn ein Teil des Systems nah an einer Wärmequelle entlang geführt werden muss, verwenden Sie anstelle von Schlauch ein festes Rohr.

6.4 Anschließen von Schläuchen an Kunststoffstutzen

Wenn Sie einen flexiblen Schlauch an einem Kunststoffstutzen anschließen (Abb. **12**, Seite 7), verwenden Sie das spezielle Schlauchschmiermittel aus dem Lieferumfang des Schmutzwassertanks. Tragen Sie das Schmiermittel um das Stutzenende herum sowie im Inneren des Schlauchendes auf, das an den Stutzen angeschlossen wird. Dometic Schmiermittel erleichtert das Aufschieben des Schlauches. Verwenden Sie keine anderen Schmier-, Dicht- oder Klebstoffe.

Schlauchschellen (Abb. **13**, Seite 7)

Jede Schlauchverbindung sollte durch zwei Schlauchschellen gesichert werden, um mögliche Lecks zu verhindern.

Positionieren Sie die Schrauben der beiden Schellen um 180° zueinander versetzt, und ziehen Sie die Schellen an. Achten Sie darauf, die Schellen nicht zu fest anzuziehen, da sie sonst in den Schlauch einschneiden. Wenn die Dichtigkeit nur durch übermäßiges Anziehen der Schellen erreicht werden kann, ist die Passung zwischen Schlauch und Stutzen nicht gut genug. Verwenden Sie in diesem Fall entweder einen Adapter oder einen anderen Stutzen.

Verwenden Sie keine Schellen mit vernickelten Schrauben, da diese korrosionsanfällig sind. Verwenden Sie nur Schellen aus reinem Edelstahl.



Hinweis

Leicht magnetische Schellenschrauben sind entweder aus Edelstahl minderer Qualität oder vernickelt.

7 Reinigen und Winterfest Machen

7.1 Reinigen

In den Schmutzwassertanks verbleibt ständig eine geringe Menge Wasser. Deshalb ist es sinnvoll, den Schmutzwassertank nach jedem Abpumpen des Inhalts vollständig zu spülen.

1. Geben Sie nach dem ersten Auspumpen des Schmutzwassertanks Duftmittel oder Sanitärreiniger in das Toilettenbecken, und spülen Sie mit Wasser nach.
2. Spülen und pumpen Sie so lange weiter aus, bis die aus dem Tank abgepumpte Flüssigkeit klar ist.

7.2 Winterfest machen

Um den Schmutzwassertank winterfest zu machen, verwenden Sie ausschließlich Frostschutzmittel aus Propylenglykol und Frischwasser. Achten Sie darauf, dass das Frostschutzmittel keinen Alkohol enthält.

1. Pumpen Sie den Tank aus.
2. Spülen Sie das System gründlich mit Frischwasser aus, bevor Sie den Schmutzwassertank mit Frostschutzmittel aus Propylenglykol und Frischwasser befüllen.

8 Spezifikationen

Materials

Schmutzwassertank:	Polyethylen; 6,3 mm Nennwanddicke. Naturfarben.
Armaturen:	Polyvinylchlorid, ABS. Weiß.
Durchführungsdichtungen:	Vernetztes EPDM-Kautschuk/Polypropylen. Weiß.

Modell	Füllmenge L / US gal.	Leergewicht Kg / lb.	Vollgewicht Kg / lb.	Abmessungen mm / Zoll
DHT42L	42 / 11	5.4 / 12	47.9 / 105.5	460 x 350 x 348 / 18.1 x 13.8 x 13.7
DHT61L	61 / 16	7.7 / 17	69.4 / 153	660 x 350 x 348 / 26.0 x 13.8 x 13.7
DHT88L	88 / 23	10.2 / 22.5	98.9 / 218	800 x 400 x 388 / 31.5 x 15.7 x 15.3
DHT110L	110 / 29	14 / 30.9	125.9 / 277.4	1200 x 350 x 348 / 47.2 x 13.8 x 13.7
DHT137L	137 / 36	14.5 / 32	153.3 / 338	1200 x 400 x 388 / 47.2 x 15.7 x 15.3

Dometic DHT-L Schmutzwassertanks sind druckgeprüft bis 30 kPa (0,3 bar, 4 PSI).

9 Garantie und Produkthaftung

Europa:

Garantie und Kundendienst

Die Garantievereinbarungen entsprechen der EG-Direktive 44/1999/EG und die normalen Bedingungen gelten für das betreffende Land. Wenden Sie sich an die Dometic/Waeco Service-Abteilung, deren Adresse Sie an anderer Stelle in diesem Handbuch finden, wenn Sie einen Garantiefall oder eine andere Serviceleistung vereinbaren möchten. Alle Schäden aufgrund falscher oder missbräuchlicher Bedienung werden von der Garantie nicht abgedeckt.

Von der Garantie werden keine Änderungen am Produkt oder die Verwendung von anderen Bauteilen als den Dometic Originalteilen abgedeckt; die Garantie gilt nicht, wenn die Installations- oder Betriebsanweisungen nicht beachtet werden. In solchen Fällen wird jedwede Haftung durch den Hersteller abgelehnt.

Produkthaftung

Die Produkthaftung der Dometic Group und ihrer Niederlassungen umfasst keine Schäden, die durch das Folgende entstehen: fehlerhafter Betrieb; ungeeignete Änderungen oder Eingriffe in die Anlage; negative Umgebungsauswirkungen, die die Anlage selbst beeinträchtigen oder die direkte Umgebung der Anlage oder Personen in diesem Bereich.

Wenn Sie eine Garantieleistung in Anspruch nehmen möchten, wenden Sie sich zuerst an Ihren Fachhändler vor Ort, bei dem Sie das Produkt erworben haben oder informieren Sie sich im Internet unter <http://www.dometic.com> über Händler in Ihrer Nähe.

Table des matières

FR

1	Remarques concernant ce mode d'emploi	25
2	Consignes générales de sécurité	25
3	Usage conforme	26
4	Composants et Fonctions	26 - 27
5	Installation du réservoir	27 - 28
6	Installation des tuyaux	28 - 31
7	Nettoyage et hivernage	31
8	Spécifications	31
9	Garantie et Responsabilité pour le produit	32 - 33

1 Remarques concernant ce mode d'emploi



Attention!

Consigne de sécurité: Le non-respect de cette consigne peut entraîner des dégâts matériels et entraver le fonctionnement de l'appareil.



Remarque

Informations supplémentaires relatives à l'utilisation de l'appareil.

fig. 2 1, page 3 : Ceci désigne un élément d'un schéma. Dans cet exemple, l'item 1 du schéma 2 sur la page 3.

2 Consignes générales de sécurité

Le fabricant ne saurait être tenu responsable dans les cas suivants:

- Assemblage ou connexions incorrects
- Appareil endommagé par des influences mécaniques
- Modification de l'appareil sans l'autorisation écrite expresse du fabricant
- Utilisations autres que celles décrites dans le mode d'emploi

Si vous utilisez des dispositifs électriques lors de l'installation du système, observez les consignes de sécurité suivantes, afin de vous protéger contre :

- Les décharges électriques
- Les risques d'incendie
- Les risques de blessures



Attention!

Avant de manipuler un composant existant ou nouvellement installé du système sanitaire, vérifiez que le système est hors tension et que tous les robinets sont en position FERMEE ou OFF. Sinon, une inondation risque de causer des pertes humaines ou matérielles.

3 Usage conforme

Les systèmes de réservoir d'eaux noires Dometic se caractérisent par leur très bonne qualité et leur longue durée de vie. Ils permettent de stocker les eaux usées des sanitaires à bord d'un bateau, de les évacuer efficacement dans des installations appropriées ou dans les zones maritimes qui ne sont pas soumises à des restrictions et d'éviter que les eaux usées ne polluent les zones maritimes sensibles, telles que les marinas, les abords des plages de baignades ou des bancs de crustacés.

Les réservoirs d'eaux noires peuvent également être utilisés pour les eaux grises (eaux de douche, de vaisselle, de lessive, etc.), à condition qu'aucun autre type d'eau n'y pénètre.



Remarque

Chaque dispositif produisant de l'eau grise doit être équipé d'un garde-d'eau pour empêcher que des odeurs ne se dégagent dans l'espace de vie.



Attention!

Les utilisateurs doivent connaître les règles locales d'évacuation des eaux usées.

3.1 Avantages des réservoirs d'eaux noires Dometic

Pas de fuite. Les réservoirs d'eaux noires Dometic sont raccordés à la partie supérieure du réservoir, réduisant ainsi les risques de fuite dues à de mauvais raccords en dessous du niveau de remplissage du réservoir.

Pas d'odeur, performance durable. Les réservoirs sont en polyéthylène linéaire basse densité, matériau résistant à la corrosion et perméable aux odeurs. Sa durée de vie est supérieure à celle des coques habituelles.

Protection anti-implosion. Le réservoir très résistant et la soupape de dépression permettent d'éviter d'éventuels dommages causés par la trop grande force d'aspiration de certaines pompes à quai.

4 Composants et Fonctions

Items dans la fig. 2, page 3	Description
1	Connexion des tuyaux de sortie de 38 mm (1,5 po.) aux raccords du pont ou du robinet
2	Connexion des tuyaux de sortie de 38 mm (1,5 po.) aux raccords du pont ou du robinet
3	Port d'inspection ou emplacement du bouchon sondeur indicateur de niveau optionnel
4	Connexion du tuyau de ventilation de 16 mm (0,625 po.)
5	Soupape de dépression
6	Connexion du tuyau d'entrée de 38 mm (1,5 po.) des toilettes
7	Pieds de montage intégrés (4 emplacements)



Remarque

Un seul raccord de sortie (1 ou 2) peut être converti en raccord d'entrée, si nécessaire. Il faut qu'un raccord de sortie reste à son emplacement d'origine sur le réservoir. Le raccord d'entrée situé sur le côté opposé du réservoir (6) ne doit pas être converti en raccord de sortie.

4.1 Fonctions

- Entrée pré-installée et deux sorties pour les connexions au quai et au robinet
- Les raccords d'entrée et de sortie tournent pour faciliter la connexion des tuyaux dans toutes les directions (fig. **3** D, page 3).
- Les tubes d'évacuation sont conçus spécialement pour empêcher les engorgements.
- La soupape de dépression protège le réservoir des surpressions.
- Des raccords supplémentaires permettent de varier les configurations entrée/sortie du réservoir
 - une entrée, deux sorties (fig. **3** A, page 3)
 - une entrée, une sortie sur le même côté du réservoir (fig. **3** B, page 3)
 - une entrée, une sortie sur deux côtés différents du réservoir (fig. **3** C, page 3)
- Conforme aux exigences ISO 8099.

5 Installation du réservoir

5.1 Choix d'un emplacement pour le réservoir d'eaux noires

Le réservoir à eaux noires doit être posé le plus bas possible dans la coque. La plupart des tuyaux de connexion doivent être inclinés vers le réservoir pour permettre le drainage gravitaire et éviter que les tuyaux ne laissent passer les odeurs. Les tuyaux reliés à une pompe d'évacuation vers l'extérieur doivent drainer vers l'extérieur du réservoir.



Attention!

N'exposez pas le réservoir d'eaux noires à des températures supérieures à 45 °C (120 °F). Ne placez pas le réservoir à proximité de sources de chaleur (collecteurs, chauffe-eaux, générateurs, etc.).

Ajoutez 16 cm (environ 6 pouces) à la hauteur du réservoir (fig. **1**, page 2), afin de disposer d'un espace suffisant pour faire facilement les raccords de tuyauterie.

ACCES SERVICE DE MAINTENANCE : dans les conditions de fonctionnement normales, les réservoirs d'eaux noires Dometic requièrent un service de maintenance minimum. Veillez donc à installer le réservoir dans un emplacement facilement accessible pour le port d'inspection.

5.2 Préparation de la surface de montage

Choisissez un emplacement bien situé et adapté à la superficie totale du réservoir. Si vous devez fabriquer la surface de montage, utilisez du contreplaqué marin d'au moins 13 mm d'épaisseur. Si vous utilisez des lanières de fixation lors de l'installation, ajoutez des entretoises sur la surface de montage (fig. **4** B, page 4).

5.3 Installation du réservoir sur la surface de montage

Installation des pieds de montage intégrés (fig. **4** A, page 4)

Pour fixer le réservoir à la surface, utilisez des pièces de fixations de 6 mm de diamètre ou plus (#12) et des rondelles de 19 mm (0,75 po.) de diamètre maximum, aux emplacements des quatre pieds de montage.

Installation des lanières de fixation (fig. **4** B, page 4)

Utilisez des lanières de fixation d'une largeur maximale de 31 mm (1,25 po.). Fixez les lanières à la surface de montage. Faites-les passer par-dessus le réservoir et de chaque côté du réservoir, dans les rainures prévues à cet effet.

**Attention!**

N'installez pas le réservoir sur des saillies, telles que des têtes d'éléments de fixation. Elles pourraient percer le réservoir. Veillez à ce que le réservoir d'eaux noires n'empêche pas le libre écoulement des eaux de cale.

**Remarque**

Les éléments de fixation (tire-fonds, vis, rondelles, etc.) et les lanières de fixation ne sont pas fournis avec le réservoir d'eaux noires Dometic.

6 Installation des tuyaux

6.1 Sélection des tuyaux

Les réservoirs d'eaux noires Dometic sont pré-assemblés avec des raccords pour la connexion des tuyaux de 38 mm (1,5 po.) et 16 mm (0,625 po.). Si les tuyaux de votre système d'assainissement sont de dimensions différentes, utilisez des adaptateurs pour adapter les dimensions des raccords Dometic à votre tuyauterie actuelle ou installez une nouvelle tuyauterie qui corresponde aux raccords de réservoir Dometic.

Si vous optez pour l'installation d'une nouvelle tuyauterie, installez des tuyaux d'assainissement Dometic OdorSafe® Plus. Ils offrent, en effet, la meilleure perméabilité aux odeurs pour les toilettes et les lignes d'évacuation du réservoir d'eaux noires. Ils sont disponibles uniquement en 38 mm (1,5 po.). Les tuyaux Dometic MaxFlex™ sont disponibles dans toutes les dimensions mentionnées dans Assainissement, Guide des dimensions de tuyaux d'évacuation et garantissent une perméabilité aux odeurs de grande qualité.

6.2 Disposition des tuyaux

Touche vers (fig. 6 , page 4)

Ref.	Description
A	Disposition complexe de la tuyauterie
B	Disposition simple de la tuyauterie
1	Problème de tuyauterie
2	Réservoir à eaux noires

Ref.	Description
3	Pompe dilacératrice
4	Robinet (évacuation vers l'extérieur)
5	Vanne en étoile
6	Pompe d'évacuation

Le schéma A représente une installation incorrecte avec plusieurs circuits de tuyaux qui peuvent retenir les liquides et rendre les tuyaux perméables aux odeurs. Le schéma B représente un système de plomberie simplifié et très efficace qui peut être réalisé avec le système spécial de réservoir d'eaux noires intégré Dometic.

Assainissement, Guide des dimensions de tuyaux d'évacuation (fig. 5 , page 4)

Élément	Description
1	Tuyau d'assainissement de 38 mm (1,5 po.)
2	Tuyau d'assainissement de 25 mm (1 po.)
3	Tuyau d'évacuation de 19 mm (0,75 po.)
4	Tuyau d'évacuation de 16 mm (0,625 po.)

Les dimensions des sorties peuvent varier selon les constructeurs de WC marins. Vérifiez les dimensions de sortie des WC ou les dimensions du (ou des) tuyau(x) d'évacuation qui doivent relier les toilettes au réservoir d'eaux noires.

- Si vous reliez votre ancien tuyau d'évacuation au nouveau réservoir, un raccord adaptateur peut être nécessaire pour relier le tuyau au raccord d'entrée de 38 mm du réservoir.
- Si vous installez un nouveau tuyau sur le réservoir, choisissez un tuyau OdorSafe Plus Dometic de 38 mm. Un raccord adaptateur peut être nécessaire entre les WC et le tuyau.
- Utilisez des raccords coudés 90° pour faire l'angle si le rayon est inférieur à 210 mm.
- Un second raccord d'entrée est fourni avec le réservoir d'eaux noires Dometic pour le cas où il serait préférable d'utiliser un raccord d'entrée séparé et où un seul raccord de sortie serait nécessaire.
- Installez un tuyau OdorSafe Plus ou un tuyau rigide sur les circuits de tuyauterie qui pourraient retenir l'évacuation
- Certains robinets existants et raccords d'évacuation de coque peuvent avoir un diamètre de 25 mm. Dans ce cas, utilisez un reducteur de 38 mm x 25 mm et un tuyau d'assainissement MaxFlex de 25 mm.



Remarque

Tous les raccords de coque qui permettent l'évacuation doivent disposer d'une vanne munie d'une poignée verrouillable.



Remarque

Les vannes de maintenance doivent être installées dans les circuits de tuyaux qui retiennent les liquides et sont reliés aux composants nécessitant un entretien périodique.



Attention! – Risque d'inondation!

Si les WC, le réservoir d'eaux noires ou d'autres composants sont reliés à des raccords de coque, des robinets doivent être correctement installés sur tous les tuyaux reliés aux raccords de coque. Les robinets doivent être facilement accessibles à tous les utilisateurs du système. Toutes les vannes doivent être à passage intégral et de qualité marine (résistantes à la corrosion). Il est déconseillé d'utiliser des vannes à tige filetée. Sinon, une inondation risque de causer des pertes humaines et matérielles.



Attention! – Risque d'inondation!

Certaines pratiques et/ou normes marines nécessitent l'installation d'une boucle de ventilation bien placée dans la tuyauterie d'évacuation afin d'éviter un reflux de l'eau de mer dans le réservoir d'eaux noires. Il est du ressort de l'installateur du système et du propriétaire du bateau de choisir les moyens appropriés pour éviter tout retour dans le réservoir à eaux noires.

Raccord des WC marins au réservoir d'eaux noires (fig. 7, page 5)

Élément	Description
1	Premiers WC marins (évacuation de 25, 38 ou 40 mm)
2	Seconds WC marins (évacuation de 25, 38 ou 40 mm)
3	Raccord en étoile ou en T (à installer dans le sens du flux)
4	Tuyaux reliant les toilettes au réservoir d'eaux noires
5	Réservoir à eaux noires

Tuyaux d'évacuation (fig. 8, page 5)

Élément	Description
1	Connexion du tuyau d'évacuation au raccord de pont (38 mm)
2	Connexion du tuyau d'évacuation au robinet et au raccord d'évacuation (38 mm)
3	Pompe d'évacuation
4	Réservoir à eaux noires

Tuyau d'évacuation (fig. 9 , page 5)

Élément	Description
1	tuyaux d'évacuation
2	filtre de purge d'air
3	Réservoir à eaux noires

- L'évent du réservoir d'eaux noires Dometic s'adapte sur un tuyau d'évacuation de 16 mm de diamètre.
- Installez un filtre de purge d'air Dometic dans la conduite de purge pour absorber les gaz malodorants et ne laisser entrer que de l'air frais dans l'évent.

**Remarque**

Il ne faut pas que des circuits susceptibles de retenir du liquide passent sous la conduite de purge.

6.3 Recommandations pour l'installation des tuyaux

Laissez la possibilité de tirer le tuyau (fig. 10 A, page 6).

Évitez les raccords angulaires et les coudes à petit rayon (fig. 10 B, page 6).

Ne fixez pas les tuyaux à l'aide de fils métalliques. Attachez les tuyaux flexibles tous les 0,3 m (12 pouces) et les tuyaux rigides tous les 1,5 m (5 pieds).

Dans la mesure du possible, utilisez un support qui se place sous le tuyau (fig. 10 C, page 6).

Infiltrations de la cloison (fig. 11 , page 6)

Examinez chaque côté de la cloison, pour être sûr de ne pas endommager:

- les réservoirs de carburant ou d'eau
- les câbles ou les tuyaux
- les serres de renfort (4) qui soutiennent la coque

Lorsque vous percez des trous, évitez les languettes (1) et les serres (4) qui maintiennent les cloisons et les partitions en place. Ajoutez des éléments de renfort de façon à ce que l'intégrité de la structure ne soit pas compromise.

- à éviter (2)
- possible (3)

Tuyaux et sources de chaleur

La température de fonctionnement des tuyaux flexibles interdit leur exposition à des sources de chaleur forte ou directe, telles que des ampoules électriques ou des collecteurs. Si une partie de la tuyauterie doit passer à proximité d'une source de chaleur, utilisez plutôt un tuyau rigide.

6.4 Connexion des tuyaux aux raccords en plastique

Pour connecter les tuyaux flexibles aux raccords en plastique (fig. 12, page 7), utilisez le lubrifiant spécial pour tuyaux fourni avec le réservoir d'eaux noires Dometic. Appliquez le lubrifiant autour de l'extrémité du raccord et à l'intérieur de l'extrémité du tuyau à connecter au raccord. Le lubrifiant Dometic facilite la jointure. N'utilisez pas d'autres lubrifiants, ni étanches, ni adhésif.

Colliers de serrage (fig. 13 , page 7)

Vous devez sécuriser chaque connexion de tuyau à l'aide de deux colliers de serrage pour éviter d'éventuelles fuites.

Positionnez les vis du collier de façon à ce qu'elles forment un angle de 180° et serrez le collier de serrage. Ne serrez pas trop fort, sinon les colliers de serrage risquent de percer le tuyau. Si un serrage excessif s'avère être le seul moyen d'arrêter une fuite, cela signifie que la connexion tuyau/

raccord n'est pas dimensionnée correctement. Procurez-vous alors un adaptateur ou un raccord de dimension différente.

Évitez les colliers avec des vis nickelées qui risquent de se corroder. Utilisez des colliers entièrement constitués d'acier inoxydable.



Remarque

Si les vis d'un collier sont légèrement magnétiques, cela signifie qu'elles contiennent une faible proportion d'acier inoxydable ou de métal nickelé.

7 Nettoyage et hivernage

7.1 Nettoyage

Les réservoirs d'eaux noires contiennent toujours un peu d'eau. Il est donc recommandé de les rincer complètement après qu'ils ont été vidés.

1. Après le premier pompage, versez un produit désodorisant ou nettoyant pour réservoir d'eaux noires dans la cuvette des toilettes et tirez la chasse d'eau.
2. Continuez à tirer la chasse d'eau et à pomper jusqu'à ce que l'eau qui sort du réservoir soit propre.

7.2 Hivernage

Utilisez uniquement un antigel au propylène glycol mélangé à de l'eau douce pour l'hivernage du réservoir d'eaux noires. Assurez-vous que l'antigel ne contient pas d'alcool.

1. Pompez le contenu du réservoir d'eaux usées.
2. Rincez soigneusement le système à l'eau douce avant d'ajouter le mélange d'antigel au propylène glycol et d'eau douce dans le réservoir d'eaux noires.

8 Spécifications

Matériaux

Réservoir d'eaux noires: polyéthylène ; largeur minimale des parois : 6,3 mm. Couleur naturelle.

Raccords: polychlorure de vinyle, ABS. Couleur blanche

Joints d'étanchéité: polypropylène/caoutchouc EPDM réticulé. Couleur blanche.

Modèle	Volume L / gal. US	Poids à vide kg / lb.	Poids chargé kg / lb.	Dimensions mm / po.
DHT42L	42 / 11	5.4 / 12	47.9 / 105.5	460 x 350 x 348 / 18.1 x 13.8 x 13.7
DHT61L	61 / 16	7.7 / 17	69.4 / 153	660 x 350 x 348 / 26.0 x 13.8 x 13.7
DHT88L	88 / 23	10.2 / 22.5	98.9 / 218	800 x 400 x 388 / 31.5 x 15.7 x 15.3
DHT110L	110 / 29	14 / 30.9	125.9 / 277.4	1200 x 350 x 348 / 47.2 x 13.8 x 13.7
DHT137L	137 / 36	14.5 / 32	153.3 / 338	1200 x 400 x 388 / 47.2 x 15.7 x 15.3

Les réservoirs d'eaux noires de série Dometic DHT-L sont testés pour résister à une pression allant jusqu'à 30 kPa (0,3 bar, 4 PSI).

9 Garantie et Responsabilité pour le produit

Europe:

Garantie et service après-vente

Les conditions de la garantie correspondent à la directive 44/1999/CE et aux conditions normales applicables dans le pays concerné. Pour la garantie ou un autre service, veuillez contacter notre service après-vente Dometic/Waeco dont la liste figure dans le manuel. Tout dommage dû à une utilisation non conforme n'est pas couvert par la garantie.

La garantie ne couvre pas les modifications apportées au produit ou l'utilisation d'autres pièces que les pièces Dometic d'origine; la garantie ne s'applique pas si les instructions d'installation et d'utilisation ne sont pas respectées et aucune responsabilité ne peut être admise.

Responsabilité pour le produit

La responsabilité du groupe Dometic et de ses filiales pour le produit n'inclut pas les dommages éventuellement provoqués par: une utilisation impropre; des modifications impropres ou des interventions sur le matériel; des effets nocifs de l'environnement pouvant avoir un impact sur le matériel lui-même ou le matériel et les personnes à proximité directe dans cette zone.

Pour obtenir le service de garantie, veuillez contacter dans un premier temps le revendeur chez lequel vous avez acheté ce produit ou consulter le site <http://www.dometic.com> afin de trouver un revendeur près de chez vous.

Amérique du Nord et reste du monde:

Garantie du fabricant limitée

Le secteur Assainissement du groupe Dometic garantit à l'acheteur d'origine uniquement que ce produit, s'il est utilisé à des fins personnelles, familiales et dans le cadre privé, est exempt de défauts de matériau et de fabrication pour une période d'un an à compter de la date d'achat.

Si ce produit Dometic est utilisé à des fins commerciales, nous garantissons à l'acheteur d'origine exclusivement que ce produit est exempt de défauts de matériau et de fabrication pour une période de quatre-vingt-dix (90) jours à compter de la date d'achat.

Dometic se réserve le droit de remplacer ou réparer toute pièce de ce produit s'avérant, après inspection par Dometic, présenter des défauts de matériau ou de fabrication. Tous les coûts de laboratoire et de transport ou les frais relatifs au service de garantie sont à la charge de l'acheteur-utilisateur.

EXCLUSIONS

DOMETIC NE PEUT EN AUCUN CAS ÊTRE TENU RESPONSABLE DE DOMMAGES ACCIDENTELS OU CONSÉCUTIFS, DE DOMMAGES RÉSULTANT D'UNE INSTALLATION IMPROPRE OU DE DOMMAGES CAUSÉS PAR LA NÉGLIGENCE, L'UTILISATION ABUSIVE, L'ALTÉRATION OU L'USAGE DE COMPOSANTS NON AUTORISÉS. TOUTES LES GARANTIES IMPLICITES, Y COMPRIS LA GARANTIE DE VALEUR MARCHANDE ET LA GARANTIE D'APTITUDE POUR UN USAGE PARTICULIER, SONT LIMITÉES À UNE PÉRIODE D'UN AN À COMPTER DE LA DATE D'ACHAT.

GARANTIES IMPLICITES

Il est strictement interdit de modifier les garanties ou obligations telles quelles sont fixées ici, de faire des ajouts ou de créer d'autres. Les garanties implicites, y compris la garantie de valeur marchande et la garantie d'aptitude pour un usage particulier, sont limitées à une période d'un (1) an à compter de la date d'achat pour les produits utilisés à des fins personnelles, familiales et dans le cadre privé, et à une période de quatre-vingt-dix (90) jours à compter de la date d'achat pour les produits utilisés à des fins commerciales.

AUTRES DROITS

Certains Etats ne permettent pas la limitation de la durée d'une garantie implicite et certains Etats ne permettent pas l'exclusion ou la limitation des dommages accidentels ou consécutifs, de sorte que la limitation ci-dessous peut ne pas vous concerner. Cette garantie vous confère des droits légaux spécifiques et vous pouvez bénéficier d'autres droits qui varient d'un Etat à l'autre.

Pour obtenir le service de garantie, veuillez contacter dans un premier temps le revendeur chez lequel vous avez acheté ce produit ou consulter le site <http://www.dometic.com> afin de trouver un revendeur près de chez vous.

Índice

ES

1	Notas relativas al uso de este manual	34
2	Instrucciones generales de seguridad	34
3	Uso previsto	35
4	Componentes y funciones	35 - 36
5	Instalación del depósito	36 - 37
6	Instalación de la manguera	37 - 40
7	Limpieza y acondicionamiento para el invierno	40
8	Especificaciones	40
9	Garantía y Responsabilidad sobre el producto	41 - 42

1 Notas relativas al uso de este manual



¡Precaución!

Indicación de seguridad: si no respeta esta indicación, se pueden producir daños materiales y perjudicar el funcionamiento del dispositivo.



Nota

Información suplementaria relativa al manejo del dispositivo.

Fig. 2 1, pág. 3 : se refiere a un elemento de un dibujo. En este ejemplo, elemento 1 en la figura 2 de la pág. 3.

2 Instrucciones generales de seguridad

El fabricante no se hará responsable de las reclamaciones por daños resultantes de alguno de los siguientes casos:

- Montaje o conexión incorrectos
- Daños producidos por influencias mecánicas
- Modificaciones efectuadas sin la autorización expresa por escrito del fabricante
- Uso para fines distintos de los descritos en el manual de funcionamiento

Si utiliza dispositivos eléctricos para instalar el sistema, tenga en cuenta la siguiente información de seguridad para protegerse de:

- electrocución
- peligro de incendio
- lesiones



¡Precaución!

Antes de trabajar en partes de un componente ya existente o recién instalado de un sistema sanitario, asegúrese de que la alimentación eléctrica esté desconectada y que la totalidad de las tomas de mar estén en la posición CLOSED (cerradas) u OFF (apagadas). Si no se cumple lo anterior, puede causar una inundación con daños personales o materiales como consecuencia.

3 Uso previsto

Los sistemas de depósito de retención Dometic son un equipo de alta calidad y larga vida útil para almacenar aguas residuales del inodoro a bordo de una embarcación, para descargar los vertidos en instalaciones previstas para ello o en aguas no restringidas y para prevenir que las aguas residuales contaminen aguas sensibles, tales como marismas, playas de uso público o bancos de crustáceos.

Los depósitos de retención Dometic se pueden usar también para aguas grises (agua de duchas, lavabos, lavadoras, etc.) siempre que el depósito sólo contenga este tipo de aguas.



Nota

Cualquier dispositivo que descargue aguas grises en el depósito debe tener un sifón de agua para evitar que los olores lleguen al habitáculo.



¡Precaución!

El usuario de la embarcación debe conocer las normas locales de descarga de aguas residuales.

3.1 Ventajas de los depósitos de retención Dometic

Diseño a prueba de fugas. Los racores en la parte superior del depósito de retención Dometic impiden toda posibilidad de fugas causadas por conexiones incorrectas por debajo del contenido del depósito.

Funcionamiento sin olores, de larga vida útil. Los depósitos están fabricados con polietileno lineal de baja densidad, el mejor material para la construcción de depósitos de retención por su resistencia a la corrosión e impermeabilidad al olor. Su vida útil es más larga que la de un casco típico.

Protección contra la implosión. El depósito de gran resistencia y la válvula de alivio trabajan juntos para evitar daños potenciales causados por las bombas de los muelles, que pueden funcionar con un alto nivel de vacío.

4 Componentes y funciones

Piezas en la fig. 2 , pág. 3	Descripción
1	Conexión de salida de la manguera de 38 mm (1,5") de diám. int. para el racor de cubierta o la toma de mar
2	Conexión de salida de la manguera de 38 mm (1,5") de diám. int. para el racor de cubierta o la toma de mar
3	Boca de inspección o ubicación de una sonda de medición opcional de indicación de nivel de llenado
4	Conexión de manguera de ventilación de 16 mm (0,625") de diám. int.
5	Válvula de alivio de vacío
6	Conexión de entrada de la manguera de 38 mm (1,5") diám. int. desde el inodoro
7	Bases de montaje integradas (4 ubicaciones)

**Nota**

Sólo un racor de salida (1 ó 2) se puede utilizar como racor de entrada si es necesario. Una salida debe permanecer en su ubicación original en el depósito. El racor de entrada en el lado opuesto del depósito (6) no se debe utilizar como racor de salida.

4.1 Características

- Entrada preinstalada y dos salidas para las conexiones para el muelle y para la toma de mar
- Los racores de entrada y salida giran para facilitar la conexión de las mangueras desde prácticamente cualquier dirección (fig. 3 D, página 3)
- Los tubos de descarga tienen un diseño especial que impide el atasco
- La válvula de alivio protege el depósito de colapsos por sobrepresión
- Los racores adicionales permiten usar el depósito con varias configuraciones de entrada y salida
 - una entrada y dos salidas (fig. 3 A, página 3)
 - una entrada y una salida en el mismo lado del depósito (fig. 3 B, página 3)
 - una entrada y una salida en diferentes lados del depósito (fig. 3 C, página 3)
- Cumple lo estipulado por la ISO 8099

5 Instalación del depósito

5.1 Elegir una ubicación para el depósito de retención

El depósito de retención debería colocarse en el casco tan bajo como sea posible. La mayoría de las mangueras y tuberías de conexión deben tener una pendiente hacia abajo desde el depósito para permitir su drenaje por la fuerza de la gravedad y evitar la entrada de olores. La manguera conectada a una bomba de descarga a bordo debería drenar el depósito.

**¡Precaución!**

El depósito de retención no debería estar expuesto a temperaturas por encima de 45 °C (120 °F). No coloque el depósito cerca de fuentes de calor como colectores de motores, calentadores de agua, generadores, etc.

Calcule 16 cm (unas 6 pulgadas) adicionales a las dimensiones del depósito (fig. 1, página 2) por encima de éste para poder realizar con facilidad la instalación de fontanería.

ACCESO PARA EL MANTENIMIENTO – Puesto que los depósitos de retención Dometic pueden requerir un mantenimiento mínimo durante su uso habitual, debe instalarse el depósito de forma que pueda accederse fácilmente a la ventanilla de inspección.

5.2 Preparación de una superficie de montaje

Determine la superficie en el lugar conveniente que sostenga el área completa del depósito. Si tuviese que construir una bancada, use contrachapado marino de 13 mm de grosor como mínimo. Si la instala con correas, use bloques de contención en la superficie de montaje (fig. 4 B, página 4).

5.3 Instalación del depósito en la superficie de montaje

Instalación integrada de las bases de montaje (fig. 4 A, página 4)

Use tirantes de 6 mm de diámetro como mínimo (# 12) y arandelas de 19 mm (0,75") como máximo en las cuatro ubicaciones de las bases de montaje en la parte inferior del depósito para sujetar el depósito a la superficie.

Instalación de la correa (fig. 4 B, página 4)

Sujete con correas de 31 mm (1,25") de anchura máxima alrededor de la parte superior del depósito a la superficie de montaje a ambos lados del depósito, colocando las correas dentro de los perfiles previstos para ello.

**¡Precaución!**

No instale el depósito en salientes, tales como cabezales de montaje, que puedan perforar el depósito. Asegúrese de que el depósito de retención no bloquee el caudal de agua de sentina.

**Nota**

Las sujeciones (pernos, tornillos, arandelas, etc.) y las correas no se adjuntan al depósito de retención Dometic.

6 Instalación de la manguera**6.1 Selección de mangueras**

Los depósitos de retención Dometic disponen de racores para conectar mangueras de 38 mm (1,5") y 16 mm (0,625") de diámetro interior. Si su sistema sanitario requiere mangueras de otros tamaños, deberá usar adaptadores para convertir el tamaño de los racores de Dometic al de su manguera, o bien instalar una manguera nueva adecuada a los racores del depósito Dometic.

Si instala una manguera nueva, la manguera sanitaria de Dometic OdorSafe® Plus le ofrece la mejor protección contra los malos olores de tuberías de descarga del inodoro y del depósito de retención y sólo está disponible con un diámetro interior de 38 mm (1,5"). La manguera de Dometic MaxFlex™ está disponible en todos los tamaños que figuran en la guía de tamaños de mangueras sanitarias y de ventilación (a la derecha) y garantizan una alta calidad en la resistencia a los malos olores.

Guía de tamaño de mangueras sanitarias y de ventilación (fig. 5 , página 4)

Item	Descripción
1	Manguera sanitaria de 38 mm (1,5") de diám. int.
2	Manguera sanitaria de 25 mm (1") de diám. int.
3	Manguera de ventilación de 19 mm (0,75") de diám. int.
4	Manguera de ventilación de 16 mm (0,625") de diám. int.

6.2 Esquema de mangueras**Leyenda de (fig. 6 , página 4)**

Ref.	Descripción
A	Diseño complicado de fontanería
B	Diseño simplificado de fontanería
1	Manguera problemática
2	Depósito de retención

Ref.	Descripción
3	Bomba maceradora
4	Toma de mar (descarga por la borda)
5	Válvula en Y
6	Bomba de descarga

El diagrama A muestra una instalación incorrecta con muchas mangueras que pueden retener líquidos y causar fugas y malos olores. El diagrama B muestra un sistema de tuberías simplificado y muy eficaz que se puede lograr con el diseño del sistema de depósito de retención especialmente integrado de Dometic.

Los diferentes fabricantes de inodoros marinos usan diferentes tamaños de conexiones de salida. Compruebe el tamaño de la conexión de salida del inodoro o inodoros o el de la manguera o mangueras que hay que conectar al depósito de retención.

- Si conecta una descarga ya existente del inodoro al depósito nuevo, use un adaptador para el racor de la entrada de 38 mm, si es necesario.
- Si instala una manguera nueva desde el inodoro al depósito, use la mangueta de Dometic OdorSafe Plus de 38 mm de diámetro interior. Use un adaptador de racor entre el inodoro y la manguera, si es necesario.
- Utilice codos de 90° para formar curvas si el radio es inferior a 210 mm.
- El depósito de retención Dometic dispone de un segundo racor de entrada por si se prefiere un racor separado de entrada y sólo se requiere uno de salida.
- En los tramos donde se retienen aguas residuales debería instalarse una manguera OdorSafe Plus o una tubería.
- Algunas tomas de mar y racores pasacascos de descarga existentes pueden tener 25 mm de diámetro. Si fuese este el caso, use un reductor de 38 mm x 25 mm y una manguera sanitaria de 25 mm MaxFlex.



Nota

Debe instalarse una llave de paso en todos los racores pasacascos de descarga de aguas residuales.



Nota

Deben instalarse válvulas de mantenimiento en los tramos de tuberías donde se retienen líquidos y en componentes que requieren un mantenimiento periódico.



Precaución – ¡Peligro de inundación!

Si el inodoro, el depósito de retención u otro componente están conectados a racores pasacascos, deben instalarse como corresponde tomas de mar en todas las tuberías conectadas a los racores pasacascos. Las tomas de mar tienen que ser fácilmente accesibles a todos los usuarios del sistema. Todas las válvulas deben ser de paso total y de calidad marina (resistentes a la corrosión). No se recomiendan válvulas de compuerta con cierre roscado. El incumplimiento de lo anterior puede causar inundaciones con daños personales y materiales como consecuencia.



Precaución – ¡Peligro de inundación!

Algunas prácticas y/o normas marinas requieren el montaje de un circuito de ventilación correctamente ubicado en las tuberías de descarga para evitar que el sifón de agua de mar vuelva al depósito de retención. El instalador del sistema y el propietario de la embarcación son los responsables de decidir los medios adecuados para prevenir el reflujó al depósito de retención.

Inodoro marino a depósito de retención (fig. 7 , página 5)

Item	Descripción
1	Primer inodoro marino (descarga de 25, 38 ó 40 mm)
2	Segundo inodoro marino (descarga de 25, 38 ó 40 mm)
3	Racor en Y o en T (se debe instalar en la dirección del caudal)
4	Manguera desde los inodoros al depósito de retención

5 Depósito de retención

Mangueras de descarga (fig. 8 , página 5)

Item	Descripción
1	Manguera de descarga para el racor de cubierta (38 mm diám. int.)
2	Manguera de descarga para la toma de mar y el racor de descarga (38 mm diám. int.)
3	Bomba de descarga
4	Depósito de retención

Mangueras de ventilación

(fig. 9 , página 5)

Item	Descripción
1	manguera de ventilación
2	filtro de ventilación
3	Depósito de retención

- El racor de ventilación en el depósito de retención Dometic puede alojar una manguera de ventilación de 16 mm de diámetro interior.
- Instale un filtro de ventilación Dometic en la tubería de ventilación para absorber los malos olores, haciendo que sólo salga aire filtrado de la ventilación.

**Nota**

La tubería de ventilación no debe tener tramos bajos que retengan líquidos.

6.3 Métodos recomendados de instalación de las mangueras

No reduzca la capacidad de tracción de la manguera o de la tubería (fig. 10A, página 6)

Evite las esquinas de unión y los codos puntiagudos (fig. 10B, página 6).

No utilice alambres para sujetar la manguera o la tubería. Sujete las mangueras cada 0,3 m (12") y las tuberías cada 1,5 m (5 pies).

Si es posible, utilice una sujeción por debajo de la manguera o la tubería (fig. 10C, página 6).

Perforaciones del mamparo (fig. 11, página 6)

Compruebe cada lado del mamparo para garantizar que se vaya a taladrar en:

- los depósitos de combustible o de agua
- en el cableado o tuberías
- los travesaños de refuerzo (4) en los que se apoya el casco

Cuando haga taladros nuevos, evite los travesaños (4) que sostienen el casco o parte de él y sus retenciones (1). Refuerce adicionalmente de forma que no afecte a la integridad estructural.

- evite (2)
- posible (3)

Mangueras y fuentes de calor

La temperatura de funcionamiento de las mangueras flexibles prohíbe la exposición a fuentes de calor excesivo o directo como focos de luz o colectores de motores. Si alguna parte del sistema debe funcionar cerca de una fuente de calor, utilice una tubería en lugar de la manguera.

6.4 Conectar la manguera a racores de plástico

Al conectar la manguera a los racores de plástico (fig. 12, página 7), utilice el lubricante especial que se adjunta al depósito de retención Dometic. Aplique lubricante en el extremo alrededor del racor y en el extremo dentro de la manguera a conectar. El lubricante Dometic facilita la conexión. No utilice otro lubricante, sellante o adhesivo.

Abrazaderas (fig. 13, página 7)

Cada conexión de manguera debe fijarse con dos abrazaderas para evitar posibles fugas.

Sitúe las abrazaderas a 180° separadas entre sí y apriételas. No apriete en exceso las abrazaderas, porque podrían perforar la manguera. Si la única manera de cortar una fuga es apretar más, la conexión entre la manguera y el racor no es adecuada. Use un adaptador o un racor de otro tamaño.

Evite las abrazaderas con tornillos niquelados sensibles a la corrosión. Use abrazaderas de acero inoxidable al 100%.

**Note**

Si la abrazadera es ligeramente magnética, podría ser de un grado inferior de acero inoxidable o estar niquelada.

7 Limpieza y acondicionamiento para el invierno

7.1 Limpieza

En el depósito de retención queda siempre una pequeña cantidad de agua, de forma que conviene enjuagar el depósito completamente después de descargar su contenido.

1. Después del bombeado de descarga inicial, ponga desodorante o detergente en el inodoro y enjuáguelo con agua
2. Siga enjuagando y bombeando hasta que el líquido que sale del depósito de retención sea claro.

7.2 Acondicionar para el invierno

Use sólo anticongelante de propilenglicol para agua para acondicionar para el invierno el depósito de retención. Asegúrese de que el anticongelante no contenga alcohol.

1. Descargue el depósito de retención bombeando.
2. Enjuague completamente el sistema con agua limpia antes de poner anticongelante de propilenglicol para agua en el depósito de retención.

8 Especificaciones

Materiales

Depósito de retención: polietileno; 6,3 mm de grosor nominal de la pared. Color natural.

Racores: cloruro de polivinilo, ABS. Color blanco.

Juntas: goma/polipropileno EPDM reticulado. Color blanco.

Modelo	Volumen L / US gal.	Peso vacío kg / lb.	Peso lleno kg / lb.	Dimensiones en mm
DHT42L	42 / 11	5.4 / 12	47.9 / 105.5	460 x 350 x 348 / 18.1 x 13.8 x 13.7
DHT61L	61 / 16	7.7 / 17	69.4 / 153	660 x 350 x 348 / 26.0 x 13.8 x 13.7
DHT88L	88 / 23	10.2 / 22.5	98.9 / 218	800 x 400 x 388 / 31.5 x 15.7 x 15.3
DHT110L	110 / 29	14 / 30.9	125.9 / 277.4	1200 x 350 x 348 / 47.2 x 13.8 x 13.7
DHT137L	137 / 36	14.5 / 32	153.3 / 338	1200 x 400 x 388 / 47.2 x 15.7 x 15.3

Los depósitos de retención de la serie Dometic DHT-L han superado una prueba de presión a 30 kPa (0,3 bar, 4 PSI).

9 Garantía y Responsabilidad sobre el Producto

Europa:

Garantía y Servicio al Cliente

Los acuerdos de garantía se han tomado conforme a la directiva CE 44/1999/CE y las condiciones normales aplicables al país en cuestión. Para cuestiones relativas a la garantía o a otros servicios, póngase en contacto con el Departamento de Atención al Cliente que aparece listado en este manual. La garantía no cubre ningún daño provocado por un uso indebido.

Esta garantía perderá su validez en el caso de que se hayan realizado modificaciones en el producto o de que se hayan utilizado piezas no originales de Dometic. Asimismo, tampoco se aplicará en el caso de que no se hayan respetado las instrucciones de instalación y manejo, en cuyo caso se declinará toda responsabilidad.

Responsabilidad sobre el producto

La responsabilidad de Dometic Group y sus compañías subsidiarias no cubre daños provocados por: manejo incorrecto, modificaciones o intervenciones indebidas en el equipo; efectos adversos del entorno que puedan afectar al equipo o a las inmediaciones del mismo o a las personas que se encuentren en la zona.

Para obtener el servicio de garantía, póngase en contacto con el distribuidor local a quien le compró este producto o visite la página <http://www.dometic.com> para encontrar un distribuidor próximo a usted.

América del Norte y el resto del mundo:

Garantía del fabricante limitada

El sector sanitario de Dometic Corporation garantiza al comprador original únicamente que este producto, no presentará ningún defecto de material ni de fabricación durante el periodo de un año a partir de la fecha de compra, si se utiliza para fines personales, familiares o domésticos.

Si a este producto Dometic se le da un uso comercial, se le garantizará al comprador original únicamente que estará libre de defectos de material y de fabricación durante un periodo de noventa días (90) a partir de la fecha de compra.

Dometic se reserva el derecho a sustituir o reparar cualquier pieza de este producto que, tras una inspección realizada por Dometic, se demuestre defectuosa en material o fabricación. Todos los costes de mano de obra y de transporte adicionales al servicio de garantía correrán a cargo del comprador/usuario.

EXCLUSIÓN DE RESPONSABILIDAD

EN NINGÚN CASO DOMETIC SE HARÁ RESPONSABLE DE DAÑOS FORTUITOS O EMERGEN-
TES NI DE DAÑOS RESULTANTES DE UNA INSTALACIÓN INCORRECTA NI DE DAÑOS CAUSA-
DOS POR NEGLIGENCIA, USO INDEBIDO, MODIFICACIÓN O USO DE PIEZAS NO AUTORIZA-
DAS. TODAS LAS GARANTÍAS IMPLICADAS, INCLUYENDO CUALQUIER GARANTÍA IMPLI-
CADA DE COMERCIALIDAD O DE IDONEIDAD PARA UN FIN DETERMINADO, SE LIMITAN A UN
PERIODO DE UN AÑO A PARTIR DE LA FECHA DE COMPRA.

GARANTÍAS IMPLICADAS

Queda terminantemente prohibido modificar, añadir o crear ninguna garantía u obligación a las aquí expuestas. Las garantías implicadas, incluyendo las de comercialidad e idoneidad para un fin determinado, se limitan a un (1) año a partir de la fecha de compra para productos destinados al uso personal, familiar o doméstico, y a noventa (90) días a partir de la fecha de compra para productos destinados a un uso comercial.

OTROS DERECHOS

Algunos países no permiten limitar la duración de una garantía implicada y otros no permiten exclusiones o limitación de la responsabilidad en relación a daños fortuitos o emergentes; por ello, puede ser que las limitaciones expuestas más arriba no se apliquen para usted. Esta garantía le proporciona a usted unos derechos jurídicos específicos y, dependiendo del país donde se encuentre, puede ser que también pueda disfrutar de otros derechos.

Para obtener el servicio de garantía, póngase en contacto con el distribuidor local a quien le compró este producto o visite la página <http://www.dometic.com> para encontrar un distribuidor próximo a usted.

Inhoudsopgave

NL

1	Opmerkingen over het gebruik van de gebruiksaanwijzing	43
2	Algemene veiligheidsaanwijzingen	43
3	Beoogd gebruik	44
4	Componenten en functies	44 - 45
5	Installeren van de tank	45 - 46
6	Installeren van slangen	46 - 49
7	Reiniging en klaarmaken voor de winter	49
8	Specificaties	49
9	Garantie en Productaansprakelijkheid	50

1 Opmerkingen over het gebruik van de gebruiksaanwijzing



Waarschuwing!

Veiligheidsaanwijzing: Als deze aanwijzing niet in acht wordt genomen kan dit leiden tot materiële schade en een verminderde werking van het toestel.



Opmerking

Extra informatie over het bedienen van het toestel.

afb. 2 1, pagina 3 : Dit verwijst naar een element in een afbeelding. In dit voorbeeld, item 1 in afbeelding 2 op pagina 3.

2 Algemene veiligheidsaanwijzingen

De fabrikant is niet verantwoordelijk voor schade die wordt veroorzaakt door het volgende:

- verkeerde montage of aansluiting
- beschadiging van de unit door mechanische invloeden
- wijzigingen aan de unit zonder uitdrukkelijke schriftelijke toestemming van de fabrikant
- gebruik voor andere doeleinden dan beschreven in de bedieningshandleiding

Als u elektrische apparaten gebruikt om het systeem te installeren, neem dan de volgende veiligheidsinformatie in acht om u te beschermen voor:

- elektrische schok
- brandgevaar
- verwonding



Waarschuwing!

Voordat u werkzaamheden uitvoert aan een bestaande of nieuw geïnstalleerde component van een afvoersysteem, zorgt u ervoor dat alle elektriciteit naar het systeem is uitgeschakeld en alle buitenboordkranen zich in de positie GESLOTEN of UIT bevinden. Als u zich niet hieraan houdt, kan dit leiden tot overstroming en daardoor tot verlies van leven of eigendommen.

3 Beoogd gebruik

Dometic vuilwatertanks bieden een kwalitatieve, duurzame uitrusting om vuil toilet water aan boord van een vaartuig te slaan, afvalwater efficiënt af te voeren aan goedgekeurde afvoercentrales of in wateren waar geen afvoerbependingen gelden, en om te voorkomen dat het afvalwater gevoelige wateren vervuult, zoals havens naast zwemstranden of mosselbanken.

Dometic vuilwatertanks kan ook worden gebruikt voor grijswater (water van douches, reservoirs, was machines, enz.), op voorwaarde dat grijswater de enige soort water is die tank binnenkomt.



Opmerking

Alle afvoeraansluitingen voor de afvoer van grijs water in een vuilwatertank moeten beschikken over een stankafsluiter om te voorkomen dat er stank doordringt in de leefruimte.



Waarschuwing!

De gebruiker van de boot moet op de hoogte zijn van de plaatselijke voorschriften voor het afvoeren van afvalwater.

3.1 Voordelen van Dometic vuilwatertanks

Lekvast design. De aansluitingen van Dometic vuilwatertanks worden bovenaan de tank aangebracht en sluiten zo de mogelijkheid van lekkages ten gevolge van een verkeerde aansluiting onder het niveau van de inhoud van de tank uit.

Geurvrije, duurzame prestaties. Tanks zijn gemaakt van lineair lage dichtheid polyethyleen, het beste materiaal voor de tankconstructie door zijn hoge corrosievastheid en bescherming tegen stankdoordringing. Het zal een langere levensduur hebben dan een typisch casco.

Implosiebescherming. Tank voor zware belasting en ontluichtingsklep worden gecombineerd om potentiële schade te voorkomen van dekpompen die bij hoge vacuüm niveaus zouden kunnen werken.

4 Componenten en functies

Items in afb.

2, pagina 3

Beschrijving

- | | |
|---|--|
| 1 | uitlaataansluiting met binnendiameter 38 mm (1,5 inch) naar dekaansluiting of buitenboordkraan |
| 2 | uitlaataansluiting met binnendiameter 38 mm (1,5 inch) naar dekaansluiting of buitenboordkraan |
| 3 | inspectieopening of plek voor optionele niveauindicatie-sensordop |
| 4 | ventilatie slangverbinding met binnendiameter 16 mm (0,625 inch) |
| 5 | ontluichtingsklep |
| 6 | inlaatslang-aansluiting met binnendiameter 38 mm (1,5 inch) van toilet |
| 7 | geïntegreerde montagevoeten (4 plekken) |



Opmerking

Indien nodig kan er slechts één uitlaataansluiting (1 of 2) in een inlaataansluiting worden omgezet. Een uitlaat moet op de oorspronkelijke plaats aan de tank blijven. Inlaataansluitingen aan de tegenovergestelde tankzijde (6) mogen niet in uitlaataansluitingen worden omgezet.

4.1 Kenmerken

- De tanks beschikken over een inlaataansluiting en twee uitlaataansluitingen voor dek- en buitenboordse aansluitingen
- Inlaat- en uitlaataansluitingen roteren om de aansluiting van de slang uit zowat alle richtingen te vergemakkelijken (afb. **3** D, pagina 3)
- De speciaal ontworpen afvoerbuizen kunnen niet verstoppem
- De ontluuchtingsklep beschermt de tank tegen ineenstorting door een te hoge druk
- Extra aansluitingen zorgen ervoor dat de tank in verschillende inlaat- en uitlaatconfiguraties kan worden omgezet
 - een inlaat, twee uitlaten (afb. **3** A, pagina 3)
 - een inlaat, een uitlaat aan dezelfde zijde van de tank (afb. **3** B, pagina 3)
 - een inlaat, een uitlaat aan verschillende zijden van de tank (afb. **3** C, pagina 3)
- Voldoet aan de vereisten van ISO 8099

5 Installeren van de tank

5.1 Kies een locatie voor de vuilwatertank

Een vuilwatertank moet zo laag mogelijk in de romp worden gepositioneerd. De meeste aansluitslangen en -buizen moeten naar onderen naar de tank afhellen om een afvoer via zwaartekracht toe te laten en mogelijke stankdoordringing te voorkomen. Een slang die aan een aftappomp buitenboord aangesloten is, moet van de tank weg afvoeren.



Waarschuwing!

De vuilwatertank mag niet aan temperaturen boven 45 °C (120 °F) worden blootgesteld. Plaats de tank niet naast hittebronnen zoals motorleidingen, waterverwarmers, generatoren e.d.

Laat 16 cm (ongeveer 6 inches) boven de tank bovenop de afmetingen van de tank (afb. **1**, pagina 2) voor een gemakkelijke buisverbinding.

BEREIKBAARHEID VOOR ONDERHOUD – Omdat Dometic vuilwatertanks in normaal bedrijf een minimaal onderhoud kunnen vereisen, moet de tank zo worden geïnstalleerd dat de inspectieopening gemakkelijk bereikbaar is.

5.2 Voorbereiden van het montageoppervlak

Bepaal een goed gelegen oppervlak dat de hele tank zal ondersteunen. Als er een montageoppervlak moeten worden gemaakt, gebruik dan multiplex dat geschikt is voor boten en minimaal 13 mm dik is. Als u het systeem met klembanden installeert, zorg dan ook voor teenblokken op het montageoppervlak (afb. **4** B, pagina 4).

5.3 Tank installeren op montageoppervlak

Installeren van de meegeleverde montagevoeten (afb. **4** A, pagina 4)

Zorg voor minimaal 6 mm dia. voor de vier montagevoeten rondom de tank. (#12) bevestigingsmiddelen met maximale dia. 19 mm (0,75 inch) onderlegplaatjes om de tank op het oppervlak vast te zetten

Klembandinstallatie (afb. **4** B, pagina 4)

Haal de klembanden met een maximale breedte van 31 mm (1,25 inch) over de bovenkant van de tank aan naar het montageoppervlak aan beide zijden van de tank door de klembanden in de kanalen aan de tank te plaatsen.



Waarschuwing!

Installeer de tank niet aan uitstekende delen zoals schroefkoppen die de tank zouden kunnen doorboren. Zorg ervoor dat de vuilwatertank de vrije doorstroom van het ruimwater niet blokkeert.



Opmerking

Bevestigingsmiddelen (vastzetschroeven, schroeven, steunplaten enz.) en klembanden worden niet bij de Dometic-vuilwatertank meegeleverd.

6 Installeren van slangen

6.1 Keuze van slangen

Dometic-vuilwatertanks zijn voorgemonteerd met 38 mm (1,5 inch) en slangaansluitingen met binnendiameter 16 mm (0,625 inch). Als uw afvoersysteem andere slangen dan deze gebruikt, kan u ofwel aansluitadapters gebruiken om de afmetingen van de Dometic-aansluiting in die van uw slang om te zetten, of een nieuwe slang aansluiten die wel met de Dometic tankaansluitingen overeenkomt.

Als u een nieuwe slang aansluit, biedt de Dometic Odor-Safe® Plus rioolslang de beste bescherming om te voorkomen dat bij het leegmaken van toiletten en tanks stank door de slang heen dringt. Hij is alleen leverbaar met binnendiameter 38 mm (1,5 inch). De Dometic MaxFlex™ slang is leverbaar in alle afmetingen die in de handleiding Afvoer, Luchtlangafmeting (rechts) vermeld staan, en biedt een hoogkwalitatieve geurweerstand.

Afvoer, handleiding Luchtlangafmeting (afb. 5 , pagina 4)

Punt	Beschrijving
1	Afvoerslang met binnendiameter 38 mm (1,5 inch)
2	Afvoerslang met binnendiameter 25 mm (1 inch)
3	Luchtlang met binnendiameter 19 mm (0,75 inch)
4	Luchtlang met binnendiameter 16 mm (0,625 inch)

6.2 Slangschema

Verklaring van (afb. 6 , pagina 4)

Ref.	Beschrijving
A	complex buizenschema
B	eenvoudig buizenschema
1	verkeerd gelegde slang
2	vuilwatertank

Ref.	Beschrijving
3	versnijdingspomp
4	buitenboordkraan (overboordafvoer)
5	tweewegklep (Y-klep)
6	aftappomp

Schema A geeft een foute installatie met meerdere slangdelen aan die vastgelopen vloeistoffen kunnen vasthouden en stankvorming kan veroorzaken. Schema B geeft een vereenvoudigd, uiterst efficiënt buizensysteem weer dat mogelijk is met Dometics speciaal geïntegreerde vuilwatertank-systeemdisejn.

Verschillende boottoiletfabrikanten gebruiken verschillende uitlaatmaten. Controleer de uitlaatmaat van toilet(ten) of afmeting van de afvoerslang(en) die op de vuilwatertank zullen worden aangesloten.

- Als u een oude toiletafvoerslang op een nieuwe tank aansluit, gebruik dan indien nodig het verbindingstuk om hem op de 38 mm tankinlaataansluiting aan te sluiten.
- Als u een nieuwe slang van toilet naar tank installeert, gebruik dan de Dometic OdorSafe Plus-slang met binnendiameter 38 mm. Gebruik indien nodig verbindingstuk tussen toilet en slang.
- Gebruik een kniestuk van 90° om bochten te maken met een straal van minder dan 210 mm.
- Een tweede inlaataansluiting wordt bij de Dometic vuilwatertank meegeleverd als u een aparte inlaataansluiting verkiest en er slechts één uitlaataansluiting vereist is.
- De OdorSafe Plus-slang of de vaste buis moet worden geïnstalleerd aan alle slangdelen die afvalwater kunnen vasthouden.
- Sommige bestaande buitenboordkranen en buitenboordse afvoeraansluitingen hebben een diameter van 25 mm. Als dat zo is, gebruik dan een 38 mm x 25 mm verloopstuk en 25 mm MaxFlex rioolslang.



Opmerking

Een klep met afsluitbare hendel moet aanwezig aan alle buitenboordse aansluitingen voor afvalwater.



Opmerking

Onderhoudskleppen moeten worden geïnstalleerd in alle buizen die vloeistof kunnen vasthouden en moeten bovendien worden aangesloten op componenten die regelmatig moeten worden onderhouden.



Let op – gevaar voor overstroming!

Als het toilet, de vuilwatertank of andere componenten worden aangesloten op buitenboordse aansluitingen, moeten worden geïnstalleerd in alle buizen die op de buitenboordse aansluitingen aangesloten zijn. Buitenboordkranen moeten goed toegankelijk zijn voor alle gebruikers van het systeem. Alle kleppen moeten een volledige doorgang hebben en zeevaartkwaliteit (resistent tegen corrosie). Kleppen die met schroeven worden gesloten worden niet aanbevolen. Als u zich niet hieraan houdt, kan dit leiden tot overstroming en daardoor tot verlies van leven of eigendommen.



Let op – gevaar voor overstroming!

Sommige zeevaartpraktijken en/of -normen vereisen de installatie van een correct geïnstalleerde geventileerde bocht in de afvoerbuis om te voorkomen dat het afvoerwater terugstroomt in de vuilwatertank of zeewater in de tank komt. De installateur die het systeem installeert en de booteigenaar zelf kiezen de geschikte middelen om retourstroom naar de vuilwatertank te voorkomen.

Boottoilet naar vuilwatertank (afb. 7 , pagina 5)

Punt	Beschrijving
1	Eerste boottoilet (25, 38 of 40 mm afvoer)
2	Tweede boottoilet (25, 38 of 40 mm afvoer)
3	Y- en T-aansluiting (moet in stroomrichting worden geïnstalleerd)
4	Slang van toiletten naar vuilwatertank
5	vuilwatertank

Afvoerslangen (afb. 8 , pagina 5)

Punt	Beschrijving
1	Afvoerslang naar dekaansluiting (binnendiameter 38 mm)
2	Afvoerslang naar buitenboordkraan en afvoeraansluiting (binnendiameter 38 mm)
3	aftappomp
4	vuilwatertank

Lucht slang (afb. 9 , pagina 5)

Punt	Beschrijving
1	lucht slang
2	lucht filter
3	vuil watertank

- Luchtaansluiting op Dometic vuilwatertank zal op de lucht slang met binnendiameter 16 mm passen.
- Installeer een Dometic lucht filter in de lucht leiding om onwelriekende gassen te absorberen en daarbij alleen frissen lucht uit de uitlaat te laten komen.



Opmerking

De lucht slang mag geen lage delen hebben waardoor vloeistof kan worden vastgehouden.

6.3 Aanbevolen methodes voor het installeren van slangen

Beperk niet de mogelijkheden om aan de slang of buis te trekken (afb. 10 A, pagina 6).

Vermijd bevestiging aan hoeken of scherpe randen (afb. 10 B, pagina 6).

Gebruik geen stroomdraden om de slang of buis te bevestigen. Ondersteun flexibele slangen om de 0,3 m (12 inch) en de vaste buis om de 1,5 m (5 voet).

Gebruik waar mogelijk een ondersteunende trog onder de slang of buis (afb. 10 C, pagina 6).

Doorvoeren (afb. 11 , pagina 6)

Controleer iedere zijde van de doorvoer op mogelijke insnijding in:

- brandstof- of watertanks
- bedrading of buizen
- steunbalken (4) die de romp ondersteunen

Als u nieuwe gaten aanbrengt, vermijd dan tabs (1) en steunbalken die doorvoeren of delen op hun plek houden. Breng bovendien extra versterking aan zodat de structurele integriteit niet wordt beperkt.

- vermijd (2)
- mogelijk (3)

Slang en hittebronnen

De bedrijfstemperatuur van flexibele slangen laat geen blootstelling toe aan bronnen van extreme of directe hitte zoals gloeilampen of motorleidingen. Als het nodig is dat een onderdeel van het slangensysteem dichtbij een hittebron moet worden gelegd, gebruikt u daarvoor een vaste buis in plaats van een slang.

6.4 Slang aansluiten op plastic aansluitingen

Indien u flexibele slangen aansluit op kunststofaansluitingen (afb. 12, pagina 7), gebruik dan een speciaal smeermiddel voor slangen, die bij de Dometic vuilwatertank wordt geleverd. Breng smeermiddel aan rond einde van de aansluiting en binnenin het einde van de slang die aan de aansluiting vastzitten. Het Dometic smeermiddel maakt aansluitingen gemakkelijker. Gebruik geen ander smeermiddel, afdichtingsmiddel of kleefmiddel.

Slangklemmen (afb. 13 , pagina 7)

Elke slangaansluiting moet worden beveiligd met twee slangklemmen om mogelijke lekken te vermijden.

Positioneer de klemschroeven 180° van elkaar schroef de klem vast. Haal de klemmen niet te vast aan. Ze kunnen de slang snijden. Als dit de enige mogelijkheid is om een lekkage te stoppen, dan past de slang niet bij het verbindingsstuk en moet een van beide worden vervangen.

Gebruik geen klemmen met vernikkelde schroeven die kunnen gaan roesten. gebruik 100 procent roestvast stalen klemmen.



Opmerking

Als een klemschroef enigszins magnetisch is, kan het gehalte roestvrij staal minder zijn of is de schroef vernikkeld.

7 Reiniging en klaarmaken voor de winter

7.1 Reiniging

Een kleine hoeveelheid water blijft steeds in vuilwatertanks, zodat het eenvoudig is een tank volledig te spoelen nadat de inhoud afgevoerd is.

1. Na eerste afvoer via de pomp, doet u ontgeurder voor vuilwatertanks of reinigingsmiddel in de toiletput en spoel door met water.
2. Ga door met doospoelen en uitpompen van de tank tot de vuilwatertankafvoer klaar is.

7.2 Klaarmaken voor de winter

Gebruik alleen antivries in vers water met propyleenglycol om de vuilwatertank klaar te maken voor de winter. Zorg ervoor dat het antivriesmiddel geen alcohol bevat.

1. Pomp de vuilwatertank leeg.
2. Spoel het systeem goed door met vers water voordat u het antivries in vers water met propyleenglycol in de vuilwatertank doet.

8 Specificaties

Materialen

Vuilwatertank:	polyethyleen; 6,3 mm nominale wanddikte. Natuurlijke kleur.
Aansluitingen:	polyvinylchloride, ABS. Witte kleur.
Afsluitingen:	gereticuleerd EPDM rubber/polypropyleen. Witte kleur.

Model	Volume l / US gal.	Leeg gewicht kg / lb.	Vol gewicht kg / lb.	Afmetingen mm / inch
DHT42L	42 / 11	5.4 / 12	47.9 / 105.5	460 x 350 x 348 / 18.1 x 13.8 x 13.7
DHT61L	61 / 16	7.7 / 17	69.4 / 153	660 x 350 x 348 / 26.0 x 13.8 x 13.7
DHT88L	88 / 23	10.2 / 22.5	98.9 / 218	800 x 400 x 388 / 31.5 x 15.7 x 15.3
DHT110L	110 / 29	14 / 30.9	125.9 / 277.4	1200 x 350 x 348 / 47.2 x 13.8 x 13.7
DHT137L	137 / 36	14.5 / 32	153.3 / 338	1200 x 400 x 388 / 47.2 x 15.7 x 15.3

Dometic DHT-L series vuilwatertanks zijn drukgetest tot 30 kPa (0,3 bar, 4 PSI).

9 Garantie en Productaansprakelijkheid

Europa:

Garantie en klantenservice

De garantieaanspraken voldoen aan de Europese richtlijn 1999/44/EG en de normale geldende vereisten in het betreffende land. Voor garantie of andere services neemt u contact op met onze Dometic/Waeco serviceafdeling die in deze handleiding is genoemd. Schade die is veroorzaakt door onjuist gebruik valt niet onder de garantie.

De garantie vervalt als er wijzigingen aan het product zijn aangebracht of als er geen originele Dometic-onderdelen zijn gebruikt. De garantie is niet van toepassing als de aanwijzingen in de installatie- en bedieningshandleidingen niet zijn nageleefd. In deze gevallen wordt er geen aansprakelijkheid geaccepteerd.

Productaansprakelijkheid

De productaansprakelijkheid van de Dometic-groep en de daaronder vallende ondernemingen geldt niet voor schade die veroorzaakt is door: verkeerd gebruik, niet correcte wijzigingen of ingrepen in de uitrusting, nadelige invloeden uit de omgeving die van invloed zijn op de apparatuur zelf of apparaten of personen in de directe omgeving.

Om gebruik te maken van de garantieservice dient u eerst contact op te nemen met uw lokale verkoper, van wie u het product hebt gekocht of u gaat naar <http://www.dometic.com> om een verkoper bij u in de buurt te zoeken.

Indice

IT

1	Indicazioni sull'uso del manuale	51
2	Indicazioni generali di sicurezza	51
3	Uso conforme alla destinazione	52
4	Componenti e funzioni.	52 - 53
5	Installazione del serbatoio.	53 - 54
6	Installazione del flessibile	54 - 57
7	Pulizia e predisposizione invernale	57
8	Specifiche	57
9	Garanzia e Responsabilità per danno da prodotti.	58

1 Indicazioni sull'uso del manuale



Attenzione!

Indicazione di sicurezza: la mancata osservanza delle presenti istruzioni può causare danni materiali e compromettere il funzionamento del dispositivo.



Nota

Ulteriori informazioni sull'uso del dispositivo.

fig. 2 1, pagina 3 : si riferisce a un elemento in una illustrazione. In questo caso, alla voce 1 nella figura 2 a pagina 3.

2 Indicazioni generali di sicurezza

Il produttore non è da ritenersi responsabile in caso di reclami per danni che risultano dalle seguenti cause:

- Montaggio o collegamento errato
- Danni all'unità dovuti a cause meccaniche
- Modifiche effettuate all'unità senza previo permesso scritto da parte del produttore
- Uso per scopi diversi rispetto a quanto riportato nel presente manuale

Quando vengono usati dispositivi elettrici per installare il sistema, attenersi alle misure di sicurezza fondamentali descritte qui di seguito per proteggersi da:

- scosse elettriche
- pericolo di incendio
- ferite



Attenzione!

Prima di lavorare su qualsiasi parte di una componente nuova o già installata di un impianto sanitario, assicurarsi che la corrente elettrica all'impianto sia disattivata e che tutti i rubinetti di presa a mare siano nella posizione CHIUSO o OFF. La mancata osservanza delle suddette istruzioni può causare allagamento con conseguente rischio di morte e perdita della proprietà.

3 Uso conforme alla destinazione

I sistemi di ritenzione Dometic dispongono di un'apparecchiatura di alta qualità e di lunga vita utile per conservare acque di scarico provenienti WC a bordo di un'imbarcazione; scaricare in modo efficiente le acque di scarico presso impianti di smaltimento approvati o in acque non protette; impedire che le acque nere deteriorino acque sensibili, ad esempio nelle marine, vicino a spiagge balneabili o in un parco molluschi.

È possibile utilizzare i serbatoi di ritenzione per la raccolta di acque grigie (scarichi di docce, lavandini, lavatrici, ecc.), solo se essi vengono utilizzati per lo stoccaggio di sole acque grigie.



Nota

Ciascun dispositivo per lo scarico di acque grigie in un serbatoio di ritenzione deve essere dotato di un livello di sicurezza dell'acqua per impedire che i cattivi odori penetrino nello spazio abitabile.



Attenzione!

L'operatore dell'imbarcazione deve conoscere le norme locali relative allo scarico di acque nere.

3.1 Vantaggi dei serbatoio di ritenzione Dometic

Design a tenuta. I raccordi del serbatoio di ritenzione Dometic sono collegati alla parte superiore del serbatoio per evitare che si verifichino delle perdite causate da collegamenti difettosi al di sotto del livello del contenuto del serbatoio.

Non emana odori e ha una lunga vita utile. I serbatoi sono in polietilene lineare a bassa densità, il materiale più adatto a garantire resistenza alla corrosione e ad evitare la propagazione di odori. La sua vita utile è maggiore di quella di un comune scafo.

Protezione anti implosione. Il serbatoio estremamente resistente e la valvola a depressione permettono di impedire possibili danni causati dalle pompe della banchina che funzionano ad alti livelli di vuoto.

4 Componenti e funzioni

Voci la fig. 2 , pagina 3	Descrizione
1	Collegamenti dei flessibili di uscita da 38 mm (1,5 in.) al raccordo in coperta o al rubinetto di presa a mare
2	Collegamenti dei flessibili di uscita da 38 mm (1,5 in.) al raccordo in coperta o al rubinetto di presa a mare
3	Sportello di ispezione o ubicazione della testina della sonda indicatrice di livello (opzionale)
4	Collegamento dei flessibili di ventilazione da 16 mm (0,625 in.)
5	valvola a depressione
6	Collegamento dei flessibili di ingresso da 38 mm (1,5 in.) da WC
7	piedino di montaggio integrato (4 punti)

**Nota**

Solo un raccordo di uscita (1 o 2) può venire convertito in un raccordo di entrata, se necessario. Un raccordo di uscita deve rimanere nel punto ad esso prestabilito sul serbatoio. Il raccordo di entrata sul lato opposto del serbatoio (6) non può venire convertito in raccordo di uscita.

4.1 Caratteristiche

- Entrata e due uscite preinstallate per collegamento in banchina e al rubinetto di presa a mare.
- I raccordi di entrata e di uscita sono in grado di ruotare praticamente in ogni direzione (fig. **3** D, pag. 3)
- I tubi di scarico hanno una speciale forma anti-intasamento
- La valvola a depressione protegge il serbatoio da cedimenti dovuti a pressione eccessiva
- Raccordi supplementari consentono di modificare la configurazione del serbatoio secondo la disposizione dell'entrata e dell'uscita
 - un'entrata e due uscite (fig. **3** A, pag. 3)
 - un'entrata e un'uscita sullo stesso lato del serbatoio (fig. **3** B, pag. 3)
 - un'entrata e un'uscita su diversi lati del serbatoio (fig. **3** C, pag. 3)
- Conforme ai requisiti ISO 8099

5 Installazione del serbatoio

5.1 Scelta della posizione per un serbatoio di ritenzione

Un serbatoio di ritenzione deve essere posizionato il più in fondo possibile nello scafo. La maggior parte dei flessibili o tubi di collegamento dovrebbero essere piegati verso il basso rispetto al serbatoio per consentire un drenaggio per gravità ed evitare un'eventuale propagazione di odori dai flessibili. Flessibili collegati alla pompa di scarico a mare devono essere drenati fuori dal serbatoio.

**Attenzione!**

Il serbatoio di ritenzione non deve venire esposto a temperature superiori a 45 °C (120 °F). Non posizionare il serbatoio vicino a fonti di calore quali collettori del motore, scaldacqua, generatori, ecc.

Assicurarsi che sia presente uno spazio utile di 16 cm (circa 6 pollici) al di sopra del serbatoio (fig. **1**, pag. 2) per semplificare i collegamenti idraulici

ACCESSO PER L'ASSISTENZA – Poiché i serbatoi di ritenzione Dometic in funzionamento normale possono richiedere una manutenzione minima, il serbatoio deve essere installato in modo che l'apertura di ispezione sia facilmente accessibile.

5.2 Preparazione della superficie di montaggio

Scegliere una superficie posizionata in un luogo appropriato in grado di supportare il serbatoio. Se occorre costruire tale superficie di montaggio, utilizzare supporti in compensato marino dallo spessore di 13 mm. Se vengono installate con cinghie di bloccaggio, includere un masso di fondazione sulla superficie di montaggio (fig. **4** B, pag. 4).

5.3 Installazione del serbatoio sulla superficie di montaggio

Installazione del piedino di montaggio integrato (fig. **4** A, pag. 4)

Per i quattro punti sul fondo del serbatoio riservati ai piedini di montaggio, usare un diametro di almeno 6 mm. (#12) dispositivi di fissaggio con diametro max di 19 mm. (0,75 in.) rondelle per fissare il serbatoio alla superficie.

Installazione delle cinghie di bloccaggio (fig. 4 B, pag. 4)

Aprire al massimo le cinghie di bloccaggio da 31 mm (1,25 in.), fissarle alla superficie di montaggio facendole passare sulla parte superiore del serbatoio e sui suoi due lati, prestando attenzione a posizionare le cinghie nella scanalatura sul serbatoio.

**Attenzione!**

Non montare il serbatoio su elementi sporgenti come teste di viti che potrebbero forarlo. Evitare che il serbatoio di ritenzione blocchi il deflusso dell'acqua di sentina.

**Nota**

I dispositivi di fissaggio (tirafondi, viti, rondelle, ecc.) e le cinghie di bloccaggio non vengono fornite con il serbatoio di ritenzione Dometic.

6 Installazione del flessibile

6.1 Scelta del flessibile

I serbatoi di ritenzione Dometic sono dotati di raccordi di collegamento ai flessibili da 38 mm (1,5 in.) e 16 mm (0,625 in.). Se il proprio impianto igienico-sanitario presenta tubazioni di dimensioni diverse, è possibile usare raccordi per convertire le dimensioni dei raccordi Dometic al flessibile posseduto, oppure installare un nuovo flessibile che corrisponda alle dimensioni dei raccordi del serbatoio Dometic.

Se si intende installare un nuovo flessibile, optare per il flessibile igienico-sanitario Dometic OdorSafe® Plus. Questo prodotto fornisce infatti la migliore barriera contro la propagazione di odori per il WC e per le linee di scarico del serbatoio di ritenzione. È disponibile solo nella dimensione di 38 mm (1,5 in.). Il flessibile MaxFlex™ Dometic è disponibile in tutte le dimensioni elencate nella Guida delle dimensioni dei flessibili di sfiato e dei sanitari (destra), e garantisce una resistenza agli odori di alta qualità.

Guida delle dimensioni dei flessibili di sfiato e dei sanitari (fig. 5 , pag. 4)

Elemento	Descrizione
1	Tubazioni igienico-sanitarie da 38 mm (1,5 in.)
2	Tubazioni igienico-sanitarie da 25 mm (1 in.)
3	Tubazioni di sfiato da 19 mm (0,75 in.)
4	Tubazioni di sfiato da 1 mm (0,625 in.)

6.2 Struttura tubazioni

Legenda (fig. 6 , pag. 4)

Rif.	Descrizione
A	schema idraulico complicato
B	schema idraulico semplificato
1	flessibile in posizione critica
2	serbatoio di ritenzione

Rif.	Descrizione
3	pompa di macerazione
4	rubinetto di presa a mare (scarico a mare)
5	valvola a Y
6	pompa di scarico

Lo schema A indica un'installazione non corretta con tratti di flessibili multipli che ritengono liquidi e causano una propagazione di odori dai flessibili. Lo schema B mostra un sistema idraulico semplificato e altamente efficiente che può venire realizzato con l'impianto di ritenzione Dometic integrato in modo speciale.

Le dimensioni delle uscite variano a seconda dei produttori di WC nautici. Verificare la dimensione dell'uscita del/dei WC o la dimensione del flessibile/dei flessibili di scarico del WC che vengono collegati al serbatoio di ritenzione.

- Se viene collegato il flessibile di scarico precedente del WC a un nuovo serbatoio, potrebbe essere necessario un adattatore per collegare il raccordo di entrata del serbatoio da 38 mm.
- Se viene installato un nuovo flessibile dal WC al serbatoio, usare un flessibile OdorSafe Plus di Dometic da 38 mm. Usare un adattatore tra il WC e il flessibile, se necessario.
- Usare raccordi a gomito per creare tratti curvi quando il raggio è inferiore a 210 mm.
- Un secondo raccordo di entrata viene fornito con il serbatoio di ritenzione Dometic se si preferisce un raccordo di entrata separato e viene richiesto solo un raccordo di uscita.
- Sui tratti di flessibile che ritiene le acque nere dovrebbero essere montati flessibili OdorSafe Plus o tubi rigidi.
- Alcuni rubinetti di presa a mare e raccordi di scarico passascafo in commercio potrebbero avere un diametro di 25 mm. In questo caso, usare un riduttore 38 mm x 25 mm e una tubazione igienico-sanitario MaxFlex da 25 mm.



Nota

Su tutti i raccordi passascafo che emettono acque nere deve esserci una valvola con maniglia bloccabile.



Nota

Le valvole di manutenzione devono venire installate in qualsiasi tratto di tubatura che ritiene liquidi e collegate a componenti che potrebbero richiedere una manutenzione periodica.



Attenzione, rischio di allagamento!

Se il WC, il serbatoio di ritenzione o qualsiasi altra componente sono collegati a qualsiasi raccordo passascafo, i rubinetti di presa a mare, devono essere montati correttamente in tutte le tubature connesse ai raccordi passascafo. I rubinetti di presa a mare devono essere facilmente accessibili a tutti coloro che usano l'impianto. Tutte le valvole devono essere valvole a passaggio pieno e adatte all'uso su imbarcazioni (resistenti alla corrosione). Si sconsiglia l'uso di valvole a saracinesca comandate da una vite. La mancata osservanza delle suddette istruzioni può causare allagamento con conseguente rischio di morte o perdita della proprietà.



Attenzione, rischio di allagamento!

Alcune procedure e/o standard nautici prevedono il montaggio di un raccordo a U con sfiato nella tubazione di scarico per evitare il riflusso dell'acqua di mare nel serbatoio di ritenzione. È compito dell'installatore e del proprietario dell'imbarcazione scegliere il modo appropriato per evitare il riflusso nel serbatoio di ritenzione.

Da WC nautico al serbatoio di ritenzione (fig. 7, pag. 5)

Elemento	Descrizione
1	Primo WC nautico (scarico da 25, 38 o 40 mm)
2	Secondo WC nautico (scarico da 25, 38 o 40 mm)
3	Raccordo a Y o a T (da montare a seconda della direzione del flusso)
4	Flessibili dal WC al serbatoio di ritenzione
5	serbatoio di ritenzione

Tubazioni di scarico (fig. 8, pag. 5)

Elemento	Descrizione
1	Tubazione di scarico al raccordo in coperta (38 mm diametro interno di)
2	Tubazione di scarico per rubinetto di presa a mare (38 mm diametro interno di)
3	pompa di scarico
4	serbatoio di ritenzione

Tubazioni di sfiato (fig. 9, pag. 5)

Elemento	Descrizione
1	tubazione di sfiato
2	filtro di sfiato
3	serbatoio di ritenzione

- Raccordo di sfiato sul serbatoio di ritenzione Dometic si adatta alla tubazione di sfiato da 16 mm.
- Montare un filtro di sfiato Dometic nella tubazione di sfiato per assorbire gas maleodoranti facendo fuoriuscire solo aria fresca dallo sfiato.

**Nota**

La tubazione di sfiato non deve presentare avvallamenti che possano ritenere i liquidi.

6.3 Metodi consigliati per il montaggio del flessibile

Non impedire la mobilità dei flessibili o dei tubi rigidi (fig. 10A, pag. 6).

Non creare curve e angoli bruschi (fig. 10B, pag. 6).

Non usare connessioni metalliche per fissare i flessibili o i tubi rigidi. Usare sostegni per i flessibili ogni 0,3 m (12 pollici) e ogni 1,5 m (5 piedi) per i tubi rigidi.

Dove possibile, usare un supporto che passi al di sotto del flessibile o del tubo (fig. 10C, pag. 6).

Passaggi nelle paratie (fig. 11, pag. 6)

Controllare ciascun lato di una paratia per assicurarsi che non vengano intaccati:

- serbatoi del carburante o dell'acqua
- cavi o tubi
- traverse di rinforzo (4) che sostengono lo scafo

Quando vengono creati nuovi fori, evitare l'uso di linguette (1) e traverse (4) che mantengono in posizione le paratie o le partizioni. Rinforzare ulteriormente così da non compromettere l'integrità strutturale.

- evitare (2)
- possibile (3)

Flessibili e fonti di calore

I flessibili possono essere utilizzati solo a una determinata temperatura e non devono essere esposti a fonti di calore forti o dirette, quali lampadine o collettori del motore. Se è necessario avvicinare qualsiasi parte dell'impianto a fonti di calore, usare tubi rigidi invece di flessibili.

6.4 Collegamento di flessibili a raccordi in plastica

Quando si collega un flessibile a raccordi in plastica (fig. 12, pag. 7), utilizzare il lubrificante speciale per flessibili fornito con il serbatoio di ritenzione Dometic. Applicare del lubrificante all'estremità del raccordo e nell'estremità del flessibile che collega al raccordo. Il lubrificante Dometic semplifica i collegamenti. Non usare nessun altro tipo di lubrificante, sigillante o adesivo.

Fascette serratubo (fig. 13, pag. 7)

Tutti i collegamenti di flessibili devono venire assicurati con due fascette serratubo per evitare possibili perdite.

Posizionare le viti delle fascette a 180° l'una dall'altra e stringere la fascetta. Non stringere le fascette eccessivamente poiché potrebbero tagliare il flessibile. Se l'unico modo per bloccare la perdita è di

stringere molto, significa che il collegamento del flessibile al raccordo non è delle giuste dimensioni; in questo caso è necessario un adattatore o un raccordo di dimensioni diverse.

Evitare l'uso di fascette con viti rivestite in nichel perché soggette a corrosione. Utilizzare fascette in acciaio inossidabile al 100%.



Nota

Se la vite della fascetta è leggermente magnetica, potrebbe trattarsi di una vite in acciaio inossidabile non al 100% oppure di una vite rivestita in nichel.

7 Pulizia e predisposizione invernale

7.1 Pulizia

Una piccola quantità di acqua rimane sempre nel serbatoio di ritenzione, è consigliabile quindi sciacquare completamente il serbatoio di ritenzione dopo che il contenuto è stato scaricato.

1. Dopo il primo pompaggio, aggiungere del deodorante o del detersivo per serbatoi di ritenzione al WC, e far scorrere l'acqua
2. Continuare a far scorrere l'acqua e a pomparla al di fuori del serbatoio, finché dalle linee di scarico del serbatoio di ritenzione esce acqua pulita.

7.2 Predisposizione invernale

Per la predisposizione invernale del serbatoio di ritenzione, usare solo antigelo al glicol propilenico con acqua. Assicurarsi che l'antigelo non contenga alcool.

1. Svuotare il serbatoio di ritenzione.
2. Far scorrere acqua dolce nell'impianto prima di aggiungere al serbatoio di ritenzione l'antigelo al glicol propilenico con acqua.

8 Specifiche

Materiali

Serbatoio di ritenzione: polietilene; spessore nominale della parete: 6,3 mm. Colore naturale.

Flessibili: cloruro di polivinile, ABS. Colore: bianco.

Anello sigillante: gomma/polipropilene EPDM reticolato. Colore: bianco.

Modello	Capacità L / gallone US	Peso (vuoto) kg / lb.	Peso (pieno) kg / lb.	Dimensioni mm/in
DHT42L	42 / 11	5.4 / 12	47.9 / 105.5	460 x 350 x 348 / 18.1 x 13.8 x 13.7
DHT61L	61 / 16	7.7 / 17	69.4 / 153	660 x 350 x 348 / 26.0 x 13.8 x 13.7
DHT88L	88 / 23	10.2 / 22.5	98.9 / 218	800 x 400 x 388 / 31.5 x 15.7 x 15.3
DHT110L	110 / 29	14 / 30.9	125.9 / 277.4	1200 x 350 x 348 / 47.2 x 13.8 x 13.7
DHT137L	137 / 36	14.5 / 32	153.3 / 338	1200 x 400 x 388 / 47.2 x 15.7 x 15.3

I serbatoi di ritenzione serie DHT-L di Dometic sono testati per resistere a una pressione di 30 kPa (0,3 bar, 4 PSI).

9 Garanzia e Responsabilità per danno da prodotti

Europa:

Garanzia e Servizio clienti

Le disposizioni di garanzia sono conformi alla direttiva CE 44/1999/CE e alle condizioni generali in vigore nel Paese in questione. In caso di informazioni relative alla garanzia o ad altri servizi, contattare il Servizio clienti Dometic/Waeco al recapito riportato in un'altra sezione del presente manuale. Qualsiasi tipo di danno causato da un uso improprio non è coperto da garanzia.

La garanzia non comprende qualsiasi tipo di modifica apportata al prodotto o luso di parti non originali Dometic; inoltre, la garanzia non è valida, e ci non si assume pertanto nessun tipo di responsabilità, nel caso in cui non siano state osservate le istruzioni di installazione e uso.

Responsabilità per danno da prodotti

La responsabilità per danno da prodotti del gruppo Dometic e delle sue filiali non include i danni causati da: cattivo uso; modifiche o interventi impropri all'apparecchiatura; effetti ambientali avversi che possono danneggiare l'apparecchiatura stessa o la diretta vicinanza dell'apparecchiatura o di persone in questa area.

Per usufruire del servizio di garanzia, contattare per prima cosa il proprio rappresentante locale presso il quale è stato acquistato il prodotto o visitare la pagina Web: <http://www.dometic.com> per trovare il rappresentante più vicino.

Sisällysluettelo

FI

1	Käsikirjan käyttöä koskevia huomautuksia	59
2	Yleiset turvallisuusohjeet	59
3	Käyttötarkoitus	60
4	Komponentit ja toiminnot	60 - 61
5	Säiliön asentaminen.	61 - 62
6	Letkun asentaminen	62 - 65
7	Puhdistus ja talvivarastointi.	65
8	Spesifikaatiot.	65
9	Takuu ja Tuotevastuu.	66

1 Käsikirjan käyttöä koskevia huomautuksia



Huomio!

Turvallisuusohje: Tämän ohjeen noudattamatta jättäminen voi aiheuttaa materiaalivahinkoja ja haitata laitteen toimintaa.



Huomaus

Lisätietoja laitteen käytöstä.

kuva 2 1, sivu 3 : Tämä viittaa kuvassa näkyvään kohteeseen. Tässä esimerkissä kohteeseen 1 kuvassa 2 sivulla 3.

2 Yleiset turvallisuusohjeet

Valmistaja ei ole vastuussa vahingonkorvausvaateista, jotka johtuvat seuraavista syistä:

- Väärä asennus tai liitäntä
- Yksikön vahingoittuminen mekaanisten vaikutusten takia
- Laitteeseen ilman valmistajan nimenomaista kirjallista lupaa tehdyt muutokset
- Käyttö muihin kuin tässä käsikirjassa osoitettuihin tarkoituksiin

Jos käytät sähkölaitteita tämän järjestelmän asentamiseen, noudata seuraavia turvallisuustietoja, jotka suojaavat:

- sähköiskulta
- tulipaloilta
- loukkaantumiselta



Huomio!

Varmista, että järjestelmän kaikki sähköt on kytketty pois päältä ja kaikki runkovoventiilit ovat KIINNI- tai POIS-asennossa ennen kuin teet saniteettijärjestelmän mihinkään olemassa olevan tai hiljattain asennettuun osaan liittyviä töitä. Jos et tee näin, seurauksena voi olla veneen täyttyminen vedellä ja hengen tai omaisuuden menetys.

3 Käyttötarkoitus

Dometic-keräyssäiliöjärjestelmät tarjoavat korkealaatuiset, pitkäikäiset varusteet wc:n jäte-veden varastointiin aluksessa ja jätevesien tehokkaaseen tyhjennykseen hyväksytyissä keräyspisteissä tai sallituilla vesillä. Ne estävät viemärijätettä pilaamasta herkkiä vesiä kuten venesatamia, uimarantoja tai simpukkaviljelmiä.

Dometic-keräyssäiliöitä voidaan käyttää myös likavesitarkoituksiin (suihkujen, pesualtaiden, pesukoneiden jne. vesi) sikäli kuin likavesi on ainoa säiliöön syötettävä vesityyppi.



Huomautus

Kaikissa likavesiasennuksissa tulisi olla vesihajulukko, joka estää hajuja pääsemästä oleskelutiloihin.



Huomio!

Veneen käyttäjän täytyy tuntea paikalliset viemärijätämääräykset.

3.1 Dometic-keräyssäiliöiden edut

Vuotamaton muotoilu. Dometic-keräyssäiliöiden liitännät on sijoitettu säiliön yläpinnalle, mikä estää säiliön sisällön pinnan alapuolisista virheellisistä liitoksista aiheutuvat vuodot.

Hajuton, kestävä suorituskyky. Säiliöt on valmistettu lineaarisesta matalatiheyksisestä polyetyleenistä, joka on korroosionkestävyytensä ja hajutiiviytensä ansiosta paras keräyssäiliömateriaali. Se kestää pidempään kuin tyypillinen runko.

Luhistumissuoja. Lujatekoinen säiliö ja tyhjiönpurkuventtiili yhdessä estävät vauriot, jotka aiheutuvat suurilla tyhjiöpaineilla toimivista satamatyhjennyspumpeista.

4 Komponentit ja toiminnot

Kohteet kuvassa 2 , sivu 3	Kuvaus
1	Sisähalkaisijaltaan 38 mm:n (1,5 tuuman) poistoletkuliitäntä kansiliittimeen tai runkoventtiiliin
2	Sisähalkaisijaltaan 38 mm:n (1,5 tuuman) poistoletkuliitäntä kansiliittimeen tai runkoventtiiliin
3	Tarkastusportti tai paikka optiona saatavissa olevaa tasoilmaisimen mittakorkkia varten
4	Sisähalkaisijaltaan 16 mm:n (0,625 tuuman) tuuletusletkuliitäntä
5	tyhjiönpurkuventtiili
6	Sisähalkaisijaltaan 38 mm:n (1,5 tuuman) tuloletkuliitäntä wc:stä
7	integroidut asennusjalat (4 paikkaa)

**Huomautus**

Vain yksi lähtöliitäntä (1 tai 2) voidaan muuntaa tarvittaessa tuloliitännäksi. Yhden lähdön täytyy pysyä alkuperäisessä paikassaan säiliössä. Säiliön (6) vastakkaisella puolella olevaa tuloliitäntää ei tulisi muuntaa lähtöliitännäksi.

4.1 Ominaisuudet

- Esiasennettu tulo ja kaksi lähtöä satama- ja runkoventtiiliiliitäntöjä varten
- Tulo- ja lähtöliitännät pyörivät, mikä mahdollistaa letkun liittämisen käytännössä mihin tahansa suuntaan (kuva **3** D, sivu 3)
- Tyhjennysputket on muotoiltu erityisesti tukkeutumattomiksi
- Tyhjiönpurkuventtiili suojelee säiliötä ylipaineen aiheuttamalta lytistymiseltä
- Lisäliitännät mahdollistavat säiliön muuntamisen erilaisiin tulo- ja lähtökokoonpanoihin:
 - yksi tulo, kaksi lähtöä (kuva **3** A, sivu 3)
 - yksi tulo, yksi lähtö säiliön samalla puolella (kuva **3** B, sivu 3)
 - yksi tulo, yksi lähtö säiliön eri puolilla (kuva **3** C, sivu 3)
- Vastaa ISO 8099:n vaatimuksia

5 Säiliön asentaminen**5.1 Valitse paikka keräyssäiliölle**

Keräyssäiliö tulisi asettaa niin alas runkoon kuin mahdollista. Useimpien liitettyjen letkujen ja putkien tulisi laskea alaspäin säiliötä kohti, jotta painovoimainen viemäröinti on mahdollista ja hajujen syntyminen letkuissa estyy. Letkun, joka on liitetty ulkopuoliseen tyhjennyspumppuun, tulisi johtaa säiliöstä alaspäin.

**Huomio!**

Keräyssäiliötä ei tulisi saattaa alttiiksi yli 45 °C:n (120 °F) lämpötiloille. Älä aseta säiliötä lähelle lämpölähteistä kuten moottorin pakosarjoja, vedenlämmittimiä, generaattoreita jne.

Säiliön mittojen (kuva **1**, sivu 2) lisäksi jätä 16 cm (noin 6 tuumaa) tilaa säiliön yläpuolella, jotta putkituksen tekeminen on helppoa.

Huoltojärjestely – koska Dometic -keräyssäiliöt voivat normaalikäytössä vaatia vähän huoltoa, tulee säiliö asentaa siten, että tarkastusporttiin pääsee helposti käsiksi.

5.2 Asennuspinnan valmisteleminen

Määritä sopivassa paikassa sijaitseva pinta, joka tukee säiliötä sen koko alalta. Jos asennuspinta täytyy valmistaa erikseen, käytä tähän vähintään 13 mm paksua venevaneria. Jos asennat kiinnityshinnoilla, sisällytä asennuspinnalle tukipalikat (kuva **4** B, sivu 4).

5.3 Säiliön asentaminen asennuspinnalle

Integroidun asennusjalan asentaminen (kuva **4** A, sivu 4)

Käytä säiliön kiinnittämiseen pintaan neljästä asennusjalkakohdasta säiliön pohjan ympäriltä halkaisijaltaan vähintään 6 mm (#12) kiinnittimiä ja halkaisijaltaan enintään 19 mm:n (0,75 tuuman) aluslevyjä.

Kiinnityshihna-asennus (kuva **4** B, sivu 4)

Kiinnitä säiliön yläpinnan yli asennuspintaan molemmille puolille säiliötä korkeintaan 31 mm:n (1,25 tuuman) levyisillä kiinnityshihnoilla. Aseta hihnat säiliössä oleviin uriin.

**Huomio!**

Älä asenna säiliötä kohoumille kuten ruuvin kannoille, jotka voivat puhkaista säiliön. Älä anna säiliön estää pilssiveden vapaata virtausta.

**Huomautus**

Kiinnittimiä (pultteja, ruuveja, aluslevyjä jne.) ja kiinnityshihnoja ei toimiteta Dometic-keräyssäiliön mukana.

6 Letkun asentaminen

6.1 Letkun valinta

Dometic-keräyssäiliöissä on esiasennettuna sisähalkaisijaltaan 38 mm:n (1,5 tuuman) ja 16 mm:n (0,625 tuuman) letkuliittimet. Jos saniteettijärjestelmäsi letkut ovat muuta kuin tätä kokoa, voit joko käyttää sovitinkappaleita muuntaaksesi Dometic-liitinkoon nykyistä letkuasi vastaavaksi tai asentaa uuden letkun, joka vastaa Dometic-säiliöliittimiä.

Jos asennat uuden letkun, Dometic OdorSafe® Plus -saniteettiletku tarjoaa parhaan suojan letkuhajuja vastaan wc:n ja keräyssäiliön tyhjennyslinjoissa. Se on saatavissa vain 38 mm:n (1,5 tuuman) sisähalkaisijalla. Dometic MaxFlex™ -letku on saatavissa kaikissa koissa, jotka on listattu saniteetti-tuuletusletkun koko-oppaassa (oikealla). Se tarjoaa korkealaatuisen hajusuojan.

6.2 Letkun sijoitus

Avain (kuva **6**, sivu 4)

Vitte	Kuvaus
A	viemäroinnin mutkikas sijoittelu
B	viemäroinnin yksinkertaistettu sijoittelu
1	ongelmaletku
2	keräyssäiliö

Vitte	Kuvaus
3	repijävälppöpumppu
4	runkoventtiili (ulkopuolinen tyhjennys)
5	haaraventtiili
6	tyhjennyspumppu

Kuviossa A on epäasiallinen asennus. Siinä on monia letkulinjoja, jotka voivat sisältää jumittuneita nesteitä ja aiheuttaa hajuhaittoja. Kuviossa B on yksinkertaistettu, hyvin tehokas viemärointijärjestelmä, joka voidaan saavuttaa Dometicin erikoisesti integroidun keräyssäiliöjärjestelmämuotoilun avulla.

Saniteetti, tuuletusletkun koko-opas (kuva **5**, sivu 4)

Kohde	Kuvaus
1	Sisähalkaisijaltaan 38 mm:n (1,5 tuuman) saniteettiletku
2	Sisähalkaisijaltaan 25 mm:n (1 tuuman) saniteettiletku
3	Sisähalkaisijaltaan 19 mm:n (0,75 tuuman) saniteettiletku
4	Sisähalkaisijaltaan 16 mm:n (0,625 tuuman) saniteettiletku

Eri vene-wc-valmistajat käyttävät erikokoisia lähtöjä. Tarkista niiden wc:iden lähtöjen tai wc-tyhjennysletkujen koko, joka liitetään keräyssäiliöön.

- Jos liität aiemman wc-tyhjennysletkun uuteen säiliöön, käytä tarvittaessa sovituskappaletta sen liittämiseksi 38 mm -säiliötuloliittimeen.
- Jos asennat uuden letkun wc:stä säiliöön, käytä sisähalkaisijaltaan 38 mm:n Dometic OdorSafe Plus -letkua. Käytä tarvittaessa sovituskappaletta wc:n ja letkun välissä.
- Käytä 90°-kulmaliittimiä mutkiin, joiden säde on alle 210 mm.
- Dometic-keräyssäiliössä on toinen tuloliitin, jos halutaan mieluummin erillinen tuloliitin ja lähtöliitäntöjä tarvitaan vain yksi.
- OdorSafe Plus -letku tai jäykkä putki tulisi asentaa kaikkiin letkutuksen kohtiin, joihin saattaa jäädä jättevettä.
- Joitkin olemassa olevat runkoventtiilit ja rungon läpi tapahtuvan tyhjennyksen liittimet saattavat olla läpimitaltaan 25 mm. Jos näin on, käytä 38 mm x 25 mm -kavennuskappaletta ja 25 mm MaxFlex-saniteettiletkua.



Huomaus

Kaikkissa jättevettä rungon läpi poistavissa liittimissä täytyy olla venttiili, jossa on lukittavissa oleva kahva.



Huomaus

Huoltoventtiilit täytyy asentaa kaikkiin putkituksiin, jotka sisältävät nestettä ja jotka on liitetty säännöllistä huoltoa tarvitseviin komponentteihin.



Huomio – Tulvimisvaara!

Jos wc, keräyssäiliö tai mikä tahansa osa liitetään mihinkään rungon läpi menevään liittimeen, asianmukaisesti asennetut runkoventtiilit täytyy asentaa kaikkiin putkiin, jotka on yhdistetty rungon lävistävään liittimeen. Kaikkien järjestelmän käyttäjien täytyy päästä helposti käsiksi runkoventtiileihin. Kaikkien venttiilien täytyy vastata läpimitaltaan putkia ja olla laadultaan merikäyttöön sopivia (korroosionkestäviä). Kiinni ruuvattavia luistiventtiilejä ei suositella. Jos et tee näin, seurauksena voi olla veneen täyttyminen vedellä ja hengen ja omaisuuden menetys.



Huomio – Tulvimisvaara!

Eräät veneilykäytännöt ja/tai standardit vaativat tyhjennysputkitukseen asianmukaisesti sijoitettua tuuletettua silmukkaa, millä estetään meriveden takaisinvirtaus keräyssäiliöön. Järjestelmän asentajan ja veneen omistajan vastuulla on valita sopivat keinot, joilla estetään takaisinvirtaus keräyssäiliöön.

Vene-wc:stä keräyssäiliöön (kuva 7, sivu 5)

Kohde	Kuvaus
1	Ensimmäinen vene-wc (25, 38 tai 40 mm tyhjennys)
2	Toinen vene-wc (25, 38 tai 40 mm tyhjennys)
3	Haara- tai T-kappale (täytyy asentaa virtauksen suuntaan)
4	Letku wc:istä keräyssäiliöön
5	keräyssäiliö

Tyhjennysletkut (kuva 8, sivu 5)

Kohde	Kuvaus
1	Tyhjennysletku kansiliittimeen (38 mm sisähalk.)
2	Tyhjennysletku runkoventtiiliin ja tyhjennysliittimeen (38 mm sisähalk.)
3	tyhjennospumppu
4	keräyssäiliö

Tuuletusletku (kuva 9, sivu 5)

Kohde	Kuvaus
1	tuuletusletku
2	tuuletussuodatin
3	keräyssäiliö

- Dometic-keräyssäiliön tuuletusliitäntään sopii sisähalkaisijaltaan 16 mm:n tuuletusletku.
- Asenna tuuletuslinjaan Dometic-tuuletussuodatin, joka imee pahanhajuiset kaasut ja päästää vain raikastettua ilmaa ulos.

**Huomaus**

Tuuletuslinjassa ei saa olla matalia kohtia, joihin neste voi jäädä seisomaan.

6.3 Suositeltavat letkuasennusmenetelmät

Älä rajoita mahdollisuutta vetää letkua tai putkea (kuva 10 A, sivu 6).

Vältä teräviä kulmia ja tiukkoja mutkia (kuva 10 B, sivu 6).

Älä käytä nippusiteitä letkun tai putken kiinnittämiseen. Tue joustava letku aina 0,3 m (12 tuuman) välein ja jäykkä putki aina 1,5 m (5 jalan) välein.

Aseta letkun tai putken alle tuki koko matkalle, missä mahdollista (kuva 10 C, sivu 6).

Laipioden läpiviennit (kuva 11, sivu 6)

Varmista laipion molemmat puolet varmistaaksesi, että poraus ei osu:

- polttoaine- tai vesisäiliöihin
- johtoihin tai putkiin
- vahvistusjäykistimiin (4), jotka tukevat runkoa

Kun teet uusia reikiä, vältä levyjä (1) ja jäykistimiä (4), jotka pitävät laipioita tai osastoja paikallaan. Tee tarvittavat vahvistukset, jotta rakenteen lujuus ei kärsi.

- vältä (2)
- mahdollinen (3)

Letku ja lämmönlähteet

Joustavien letkujen käyttölämpötila kieltää niiden asettamisen alttiiksi suurelle tai suoralle kuumuudelle kuten hehkulampuille tai moottorin pakosarjoille. Jos letkujärjestelmän jonkin osan täytyy sijaita lähellä lämpölähdettä, käytä jäykkää putkea letkun sijaan.

6.4 Letkun liittäminen muoviliittimiin

Kun yhdistät joustavan letkun muoviliittimeen (kuva 12, sivu 7), käytä Dometic-keräyssäiliön mukana toimitettua erityistä letkurasvaa. Laita rasvaa liittimen pään ympärille ja liittimeen tulevan letkun pään sisäpuolelle. Dometic-rasva helpottaa liittämistä. Älä käytä mitään muuta rasvaa, tiivistettä tai liimaa.

Letkuliittimet (kuva 13, sivu 7)

Jokainen letkuliitos tulisi varmistaa vuotomahdollisuuden estämiseksi kahdella letkuliittimellä.

Aseta liittinten ruuvit 180° päähän toisistaan ja kiristä liittimet. Älä vedä liittimiä liian tiukkaan tai ne saattavat leikkautua letkuun. Jos liian tiukkaan vetäminen on ainoa tapa tukkia vuoto, letku-liitin-liitoksen koot eivät vastaa toisiaan. Tarvitaan sovitinkappale tai erikokoinen liitin.

Vältä liittimiä, joissa on nikkeliöidyt ruuvit, koska näissä voi esiintyä korroosiota. Käytä liittimiä, jotka on valmistettu 100-prosenttisesti ruostumattomasta teräksestä.

**Huomautus**

Jos liittimet ruuvi on hieman magneettinen, se saattaa olla matalalaatuisempaa ruostumattonta terästä tai nikkeloityä.

7 Puhdistus ja talvivarastointi

7.1 Puhdistaminen

Keräyssäiliöihin jää aina pieni määrä vettä, joten on hyvä tapa huuhdella keräyssäiliö kokonaan sen jälkeen, kun sisältö on tyhjennetty.

1. Lisää ensimmäisen tyhjennyspumppauksen jälkeen keräyssäiliödeodoranttia tai puhdistusainetta wc-altaaseen ja huuhtelee se vedellä.
2. Jatka huuhtelua ja säiliön tyhjäksi pumppaamista, kunnes keräyssäiliöstä tuleva poistovesi on kirkasta.

7.2 Talvivarastointi

Käytä ainoastaan puhtaan veden propyleeniglykolipakkasnestettä keräyssäiliön talvivarastointiin. Varmista, että pakkasnestettä ei sisällä alkoholia.

1. Pumppaa keräyssäiliö tyhjäksi.
2. Huuhtelee järjestelmä kokonaan puhtaalla vedellä ennen kuin lisää puhtaan veden propyleeniglykolipakkasnestettä keräyssäiliöön.

8 Spesifikaatiot

Materiaalit

Keräyssäiliö: polyetyleni; seinän nimellispaksuus 6,3 mm. Luonnollinen väri.

Liittimet: polyvinyylilokloridi, ABS. Väri valkoinen.

Tiivistysholkat: ristisilloitettu EPDM-kumi/polypropyleeni. Väri valkoinen.

Malli	Tilavuus L / US-gal.	Paino tyhjänä kg / lb.	Paino täytenä kKg / lb.	Mitat mm / tuuman
DHT42L	42 / 11	5.4 / 12	47.9 / 105.5	460 x 350 x 348 / 18.1 x 13.8 x 13.7
DHT61L	61 / 16	7.7 / 17	69.4 / 153	660 x 350 x 348 / 26.0 x 13.8 x 13.7
DHT88L	88 / 23	10.2 / 22.5	98.9 / 218	800 x 400 x 388 / 31.5 x 15.7 x 15.3
DHT110L	110 / 29	14 / 30.9	125.9 / 277.4	1200 x 350 x 348 / 47.2 x 13.8 x 13.7
DHT137L	137 / 36	14.5 / 32	153.3 / 338	1200 x 400 x 388 / 47.2 x 15.7 x 15.3

Dometic DHT-L-sarjan keräyssäiliöt on painettestattu 30 kPa:iin asti (0,3 baaria, 4 PSI).

9 Takuu ja Tuotevastuu

Eurooppa:

Takuu ja asiakaspalvelu

Takuujärjestelyt vastaavat EY-direktiiviä 44/1999/EY ja normaaleja, ehtoja, joita kyseessä olevassa maassa sovelletaan. Käännä takuutapauksissa tai muissa palvelutapauksissa muualla tässä käsikirjassa mainitun Dometic/Waeco-palveluosaston puoleen. Mikään epäasiallisesta käytöstä johtuva vahinko ei kuulu takuun piiriin.

Takuu ei kata mitään tuotteeseen tehtyjä muutoksia tai muiden kuin alkuperäisten Dometic-osien käyttöä; takuu ei ole voimassa eikä mitään velvoitteita ole olemassa, jos asennus- ja käyttöohjeita ei noudateta.

Tuotevastuu

Dometic Groupin ja siihen kuuluvien yritysten tuotevastuu ei käsitä vahinkoja, joiden syynä voi olla: virheellinen käyttö; epäasialliset muutokset laitteeseen tai siihen kajoaminen; haitalliset ympäristövaikutukset, jotka voivat vaikuttaa laitteistoon itseensä tai laitteiston välittömään ympäristöön tai alueella oleviin henkilöihin.

Takuupalvelua saadaksesi käännä ensin sen paikallisen kauppiasi puoleen, jolta hankit tuotteen, tai valitse internet-osoite <http://www.dometic.com> löytääksesi alueeltasi kauppiaan.

Innehållsförteckning

SV

1	Använda bruksanvisningen	67
2	Allmänna säkerhetsanvisningar	67
3	Ändamålsenlig användning	68
4	Komponenter och funktioner	68 - 69
5	Installation av tank	69 - 70
6	Montering av slang	70 - 73
7	Rengöring och förberedelser för vintern	73
8	Specifikationer	73
9	Garanti och Produktansvar	74

1 Använda bruksanvisningen



Varning!

Säkerhetsanvisning: Om inte bruksanvisningen observeras kan material skadas och försämra apparatens funktion.



Observera

tilläggsinformationen för användning av apparaten.

bild 2 1, sida 3 : Detta avser en detalj i en bild. I detta exempel, komponent 1 i bild 2 på sidan 3.

2 Allmänna säkerhetsanvisningar

Tillverkaren kan inte hållas ansvarig för krav angående skador som orsakas av följande:

- Felaktig montering eller anslutning
- Skador på enheten från mekanisk påverkan
- Ändringar på enheten utan uttryckligt, skriftligt tillstånd från tillverkaren
- Annan användning än den som beskrivs i bruksanvisningen

Följ nedanstående säkerhetsanvisningar vid användning av elektriska anordningar vid installationen av systemet. När anvisningarna följs förhindras:

- elektriska stötar
- brandrisk
- personskador



Varning!

Innan något arbete utförs på befintliga eller nya komponenter i ett sanitetssystem, måste du säkerställa att den elektriska strömmen är avslagen och att alla bottenventiler är i läget STÄNGD eller AV. Om detta inte följs finns det risk för översvämning, det kan leda till livsfarliga situationer och materiella förluster.

3 Korrekt användelse

Dometic avloppstanksystem är ett högkvalitativt, hållbart system för förvaring av avloppsvattnet från toaletter på båtar och effektiv tömning i godkända anläggningar eller på öppet hav där det inte finns några restriktioner. Systemet förhindrar att avloppsvattnet förorenar känsliga vattenområden, t.ex. i hamnar, vid badstränder eller ovanför korallrev.

Dometic avloppstankar kan även användas för grävatten (vatten från duschar, tvättställen, tvättmaskiner etc), förutsatt att tankarna då endast används för grävatten.



Observera

Varje anordning som leder grävatten till avloppstanken, måste ha ett vattenlås som förhindrar dålig lukt i båten.



Varning!

Båtens ägare/förare måste känna till lokala föreskrifter för tömning av avloppstankar.

3.1 Fördelarna med Dometic avloppstankar

Läckagesäkert utförande. Anslutningarna på Dometic avloppstankarna görs upp till på tanken, på så sätt undviker man läckage på grund av felaktiga anslutningar under tankinnehålllets nivå.

Luktfri, lång livslängd. Tankarna är tillverkade i linjär polyetylen med låg densitet, det är det bästa materialet för avloppstankar eftersom det är korrosionsresistent och inte släpper igenom lukt. Den håller längre än ett genomsnittligt skrov.

Implosionsskydd. Tanken är konstruerad för hög belastning och detta, i kombination med vakuum-avlastningsventilen, förhindrar skador på grund av pumpar på land som arbetar med starkt undertryck.

4 Komponenter og funktioner

Komponenter i bild 2 , sida 3	Beskrivning
1	38 mm (1,5 in.) ID (innerdiameter) utloppsslanganslutning till anslutning på däck eller bottenventil
2	38 mm (1,5 in.) ID (innerdiameter) utloppsslanganslutning till anslutning på däck eller bottenventil
3	Inspektionsslucka resp. plats för nivåmätare (tillval)
4	16 mm (0,625 in.) ID ventilationsslang anslutning
5	Vakuum-avlastningsventil
6	38 mm (1,5 in.) ID inlopp slanganslutning från toalett
7	Inbyggda monteringsfötter (4 ställen)



Observera

Endast en utloppsanslutning (1 eller 2) kan omvandlas till inloppsanslutning (om så krävs). Ett av de ursprungliga utloppen måste vara kvar på tanken. Inloppsanslutningen på den motsatta sidan av tanken (6) bör inte omvandlas till utlopp.

4.1 Funktioner

- Förinstallerat inlopp och två utlopp för hamnanläggningar och bottenventiler
- Inlopps- och utloppsanslutningarna kan vridas för att möjliggöra anslutning av slangen i så gott som alla riktningar (bild **3** D, sidan 3)
- Avloppsrören är specialdesignade för att inte bli tilltäppta
- Vakuum-avlastningsventilen skyddar tanken från övertryck
- Extra anslutningar gör det möjligt att variera inlopps- och utloppsmöjligheter
 - ett inlopp, två utlopp (bild **3** A, sidan 3)
 - ett inlopp, ett utlopp på samma sida av tanken (bild **3** B, sidan 3)
 - ett inlopp, ett utlopp på varsin sida av tanken (bild **3** C, sidan 3)
- Uppfyller kraven i ISO 8099

5 Installation av tank

5.1 Välja plats för avloppstanken

Avloppstanken ska monteras så lågt som möjligt i skrovet. De flesta slangar och rör ska monteras lutande ner mot tanken så att dräneringen sköts av gravitationen och man förhindrar att lukter tränger genom slangen. Slangen som ansluts till en avloppspump (tömningspump) ska tömma bort från tanken.

**Varning!**

Avloppstanken får inte utsättas för temperaturer över 45 °C (120°F). Placera inte tanken i närheten av värmekällor, som t.ex. motorer, varmvattenberedare, generatorer, etc.

Planera, förutom tankens mått (bild **1**, sidan 2), 16 cm utrymme ovanför tanken för röranslutningar.

ÅTKOMLIGHET FÖR UNDERHÅLL – Eftersom Dometic avloppstankar kan behöva service under den normala driften, bör du installera avloppstanken så att inspektionssluckan är lätt att komma åt.

5.2 Förbereda en monteringsyta

Montera tanken på en lämpligt belägen yta som bär upp hela tankens yta. Tillverka vid behov ett monteringsunderlag av marinplywood med minst 13 mm tjocklek. Om spännremmar används ska det finnas klossar på monteringsytan (bild **4** B, sidan 4).

5.3 Installera tanken på monteringsytan

Inbyggda monteringsfötter (bild **4** A, sidan 4)

För de fyra monteringsfötterna på tankens undersida ska man använda hållare om minst 6 mm diameter (#12) med brickor om högst 19 (0,75 in.) mm diameter för att sätta fast tanken på ytan.

Spännremmar (bild **4** B, sidan 4)

Dra spännremmarna (max. bredd: 31 mm (1,25 in.) över avloppstankens översida och fäst dem på monteringsytan på båda sidorna av tanken. Dra spännremmarna i spåren på tanken.

**Varning!**

Installera inte tanken på utskjutande delar som kan punktera tanken, som t.ex. skruvhuvuden. Tanken får inte blockera slagvattnet.

**Observera**

Fastsättningsmaterial (ankarbultar, skruvar, brickor etc) och spännremmar levereras inte tillsammans med Dometic avloppstanken.

6 Montering av slang

6.1 Slangar

Dometic avloppstankar har förmonterade 38 mm och 16 mm (0,625 in.) ID slanganslutningar. Om det finns andra slangstorlekar i ditt sanitetssystem kan slangadapter användas för att anpassa dem till Dometic-anslutningarna. Annars kan en ny slang monteras, som passar till anslutningarna på Dometic avloppstanken.

Om en ny slang ska monteras: Dometic OdorSafe® Plus sanitetsslang ger bäst skydd mot dålig lukt i toalett- och avloppssystem. Den finns endast med 38 mm (1,5 in.) innerdiameter (ID). Dometic MaxFlex™ finns i alla storlekar som anges i storleksguiden för sanitetsslang, ventilations-slang (till höger) och ger ett mycket gott skydd mot dålig lukt.

Storleksguide för sanitetsslang, ventilations-slang (bild 5, sidan 4)

Artikel	Beskrivning
1	38 mm (1,5 in.) ID sanitetsslang
2	25 mm (1 in.) ID sanitetsslang
3	19 mm (0,75 in.) ID ventilations-slang
4	16 mm (0,625 in.) ID ventilations-slang

6.2 Slangdragning

Teckenförklaring till (bild 6, sidan 4)

Ref.	Beskrivning
A	Komplicerad rörläggning
B	Förenklad rörläggning
1	Problemslang
2	Avloppstank

Ref.	Beskrivning
3	Macerator pump
4	Bottenventil (tömning i vattnet)
5	Y-formad ventil
6	Avloppspump

Diagram A visar en felaktig installation med slangdragning som gör att vattnet kan bli stående vilket kan orsaka att lukten tränger genom slangen. Diagram B visar ett förenklat mycket effektivt rörsystem som kan åstadkommas med Dometics speciella utformning av tanksystemet.

Olika toalettillverkare använder olika storlekar på utloppen. Kontrollera storleken på toalettens/toaletternas utlopp eller på avloppslangarna som ska anslutas till avloppstanken.

- Om en redan existerande avloppsslang ska anslutas till en ny tank: använd vid behov en slangadapter för anslutning till tankens 38 millimeters inlopp.
- Om en ny slang installeras mellan toaletten och tanken: använd ID Dometic OdorSafe Plus slang, 38 mm. Använd vid behov en slangadapter mellan toaletten och slangen.
- Använd 90° vinkelanslutningar till böjar med mindre radie än 210 mm.
- En andra inloppsanslutning kan fås till Dometic avloppstanken, om en separat inloppsanslutning önskas och endast en utloppsanslutning behövs.
- OdorSafe Plus slang eller fasta rör bör installeras på alla ställen där vätska kan samlas.
- Vissa befintliga bottenventiler och armaturer för hål i skrovet kan vara 25mm i diameter. Använd i detta fall ett 38 mm x 25 mm reducerstycke och 25 mm MaxFlex sanitets slang.



Observera

En ventil med ett låsbart handtag måste installeras på alla utlopp i skrovet som släpper ut vätska.



Observera

Alla rör som håller kvar vätska och som är anslutna till komponenter som kan behöva återkommande underhåll, måste ha en avstängningsventil.



Varning – risk för översvämning!

Om toaletten, avloppstanken eller andra komponenter är anslutna till några genomgående armaturer i skrovet, måste korrekt anslutna bottenventiler installeras i alla rörledningar som är anslutna till de genomgående armaturerna. Bottenventilerna måste vara lätt tillgängliga för alla som använder systemet. Alla ventiler måste ha samma diameter hela vägen igenom och vara resistent mot korrosion. Påskruvade avstängningsventiler rekommenderas inte. Om detta inte följs finns det risk för översvämning, det kan leda till livsfarliga situationer och materiella förluster.



Varning – risk för översvämning!

Viss marin praxis och/eller vissa standarder kräver att en korrekt placerad, ventilerad loop installeras i avloppssystemet för att förhindra att sjövattnen tränger in i avloppstanken. Det är upp till installatören och båtägaren att besluta vilka medel som ska användas för att förhindra återflöde till avloppstanken.

Toalett till avloppstank (bild 7 , sidan 5)

Artikel	Beskrivning
1	Den första toaletten (25, 38 eller 40 mm avlopp)
2	Den andra toaletten (25, 38 eller 40 mm avlopp)
3	Y-formade eller T-formade anslutningar (måste anslutas i flödesriktning)
4	Slang från toaletter till avloppstank
5	Avloppstank

Avloppsslangar (bild 8 , sidan 5)

Artikel	Beskrivning
1	Avloppsslangar till armaturen på däck (38 mm ID)
2	Avloppsslangar till bottenventilen och utloppet i skrovet (38 mm ID)
3	Avloppspump
4	Avloppstank

Ventilationsslang (bild 9 , sidan 5)

Artikel	Beskrivning
1	ventilationsslang
2	ventilationsfilter
3	Avloppstank

- Ventilationsanslutningen på Dometic avloppstank passar till 16 mm ID ventilationsslangar.
- Installera ett Dometic ventilationsfilter som absorberar illaluktande gaser så att endast renad luft kommer ut ur ventilationen.

**Observera**

Ventilationsslangen får inte ha några låga punkter där vätska kan samlas.

6.3 Rekommenderade installationsmetoder

Begränsa inte möjligheten att dra i slangens eller röret (bild 10A, sidan 6).

Undvik låsande hörn och skarpa kurvor (bild 10B, sidan 6).

Använd inte kabelbindare för att fixera slangar eller rör. Fäst flexibla slangar var 0,3 m (12 inches), och fäst (stötta) fasta rör var 1,5 m (5 feet).

Använd om möjligt ett stöd under slangens eller röret (bild 10C, sidan 6).

Genomborringar i skottet (bild 11 , sidan 6)

Kontrollera båda sidorna på skottet för att säkerställa att:

- bränsle- eller vattentankar
- kablar eller rör
- eller regler (4) som förstärker skrovet inte kan bli skadade

Undvik vinklar (1) och regler (4) som förstärker/bär upp skott eller mellanväggar när nya öppningar görs. Anordna ytterligare förstärkningar så att den bärande strukturen inte försvagas.

- undvik (2)
- möjligt (3)

Slangar och värmekällor

Drifttemperaturområdet för alla flexibla slangar förbjuder att de utsätts för värmekällor eller direkt värmepåverkan, som t.ex. lampor eller motorer. Om någon del av systemet måste läggas i närheten av en värmekälla, använd fasta rör istället för slangar.

6.4 Ansluta slangens till plastanslutningar

När du ansluter flexibla slangar till plastanslutningar (bild 12, sidan 7), använd speciell smörjmedel för slangar som följer med Dometic avloppstanken. Applicera smörjmedlet både på anslutningens ände och i slangens motsvarande ände. Dometic smörjmedlet underlättar anslutningen. Använd inget annat smörjmedel, tätningemedel eller lim.

Slangklämmor (bild 13, sidan 7)

Varje slanganslutning bör fixeras med två slangklämmor för att förhindra möjliga läckor.

Positionera slangklämmans skruvar 180° från varandra och dra åt klämman. Dra inte åt slangklämmorna för hårt, de kan skära in i slangens vägg. Om ett läckage inte går att stoppa utan att klämman dras åt för hårt, passar inte slangens till anslutningen. Då måste en adapter användas eller en annan storlek anskaffas.

Undvik klämmor med förnicklade skruvar, de är känsliga för korrosion. Använd slangklämmor av 100 % rostfritt stål.



Observera

Om en skruv i slangklämmen är lite magnetisk, kan det vara rostfritt stål av dålig kvalitet eller en förnicklad skruv.

7 Rengöring och förberedelser för vintern

7.1 Rengöring

En liten mängd vatten stannar alltid kvar i avloppstanken, det är därför lämpligt att alltid spola rent avloppstanken varje gång efter tömning.

1. Efter den första utpumpningen: tillsätt doftmedel eller rengöringsmedel i toaletten och spola med vatten.
2. Fotsätt att spola och pumpa tills avloppet till avloppstanken är rent.

7.2 Förbereda för vintern

Använd endast propylenglykol och färskt vatten som frostskyddsmedel för avloppstanken. Kontrollera att frostskyddsmedlet inte innehåller alkohol.

1. Pumpa ut innehållet i avloppstanken.
2. Spola hela systemet med färskt vatten innan frostskyddsmedlet bestående av propylenglykol och färskt vatten fylls på i avloppstanken.

8 Specifikationer

Material

Avloppstank: polyetylen; 6,3 mm nominell vägg tjocklek. Ofärgad.

Anslutningar: polyvinylklorid, ABS. Vit färg.

Tätningshylsor: tvärbunden EPDM-gummi och polypropen. Vit färg.

Modell	Volym liter / ameri- kansk gallon	Tomvikt kg / lb.	Bruttovikt kg / lb.	Mått mm / in
DHT42L	42 / 11	5.4 / 12	47.9 / 105.5	460 x 350 x 348 / 18.1 x 13.8 x 13.7
DHT61L	61 / 16	7.7 / 17	69.4 / 153	660 x 350 x 348 / 26.0 x 13.8 x 13.7
DHT88L	88 / 23	10.2 / 22.5	98.9 / 218	800 x 400 x 388 / 31.5 x 15.7 x 15.3
DHT110L	110 / 29	14 / 30.9	125.9 / 277.4	1200 x 350 x 348 / 47.2 x 13.8 x 13.7
DHT137L	137 / 36	14.5 / 32	153.3 / 338	1200 x 400 x 388 / 47.2 x 15.7 x 15.3

Dometic avloppstankar i DHT-L serien är trycktestade upp till 30 kPa (0,3 bar, 4 PSI).

9 Garanti og Produktansvar

Europa:

Garanti och kundtjänst

Garantiavtalen gäller i överensstämmelse med EU-direktiv 44/1999/EG och de normala villkoren i respektive land. Vid garantianspråk eller annan service, kontakta Dometic/Waeco kundtjänst, kontaktuppgifterna hittar du i denna bruksanvisning. Skador orsakade av felaktig användning innefattas inte av garantin.

Garantin täcker inte ändringar på produkten eller användning av icke-original Dometic-delar; om inte installations- och bruksanvisningen följs noga, gäller inte garantin eller eventuella ansvarsåtaganden.

Produktansvar

Produktansvaret från Dometic Group och deras dotterbolag inkluderar inte skador som orsakas av: felaktig drift; felaktiga förändringar eller felaktigt handhavande av utrustningen; negativa inverkan från omgivningen som kan inverka på själva utrustningen, utrustningens närområde eller personer inom området.

Vid garantianspråk, kontakta först din lokala återförsäljare där du köpte produkten eller gå till <http://www.dometic.com> för att hitta en återförsäljare i din närhet.

Indholdsfortegnelse

DA

1	Henvisninger vedr. brug af vejledningen	75
2	Generelle sikkerhedshenvisninger	75
3	Korrekt anvendelse	76
4	Komponenter og funktioner	76 - 77
5	Tankinstallation	77 - 78
6	Slangeinstallation	78 - 81
7	Rengøring og frostsikring	81
8	Specifikationer	81
9	Garanti og Produktansvar	82

1 Henvisninger vedr. brug af vejledningen



Forsigtig!

Sikkerhedshenvisning: Manglende overholdelse af denne henvisning kan medføre materiel skade og begrænse apparatets funktion.



Bemærk

Supplerende information om anvendelse af apparatet.

Fig. 2 1, side 3 : Dette henviser til et element på en illustration. I dette eksempel komponent 1 på figur 2 på side 3.

2 Generelle sikkerhedshenvisninger

Producenten er ikke ansvarlig for skadeskrav, som skyldes følgende:

- Forkert montering eller tilslutning
- Beskadigelse af enheden på grund af mekanisk påvirkning
- Ændringer på enheden uden udtrykkelig skriftlig tilladelse fra producenten
- Anvendelse til andre formål end dem, der er beskrevet i driftsvejledningen

Hvis der anvendes elektrisk udstyr til at installere dette system, skal følgende sikkerhedsinformation overholdes for at beskytte mod:

- Elektrisk stød
- Brandfare
- Kvæstelser



Forsigtig!

Sørg for, at der er slukket for strømmen til systemet, og at alle søventiler er i positionen LUK-KET eller FRA, før der arbejdes på en del af et eksisterende eller nyinstalleret komponent i et sanitært system. Hvis dette ikke overholdes, kan det medføre oversvømmelse, som kan medføre tab af liv eller materielle værdier.

3 Korrekt anvendelse

Dometic lagertanksystemer leverer udstyr af høj kvalitet og med lang levetid til at opbevare spildevand fra toiletter på en båd, udleder effektivt spildevandet på godkendte bortskaffelsesfaciliteter eller i havområder uden restriktioner og forhindrer spildevand i at forurene sensitivt vand som f.eks. i lystbådehavne, i nærheden af badestrande eller over skaldyrsbanker.

Dometic lagertanke kan også anvendes til gråt vand (vand fra brusebade, bassiner, vaskemaskiner, etc.), forudsat at gråt vand er den eneste type vand, der kommer ind i tanken.



Bemærk

Hvert armatur, som leder gråt vand ind i en lagertank, skal have en vandlås for at forhindre lugt i at trænge ind i beboelsesområdet.



Forsigtig!

Bådføreren skal kende de lokale forskrifter for udledning af spildevand.

3.1 Fordele ved Dometic lagertanke

Lækagesikkert design. Dometic lagertankarmaturer tilsluttes på toppen af tanken. Dermed udelukkes muligheden for lækage på grund af fejl ved tilslutninger under niveauet for tankindholdet.

Luftfri funktion i lang tid. Tankene er lavet af lineært LD-polyethylen, det bedste materiale til lagertankkonstruktion på grund af dets modstandsdygtighed over for korrosion og lugtgennemtrængning. Dets levetid er længere end levetiden for et typisk skrog.

Implosionsbeskyttelse. Kombination af heavy-duty-tank og vakuumsikkerhedsventil til at forebygge mulig beskadigelse fra pumper på doksiden, som kan arbejde med kraftigt vakuum.

4 Komponenter og funktioner

Komponenter på fig. 2, side 3	Beskrivelse
1	Slangetilslutning med indv. diameter 38 mm (1,5 in.) til dækarmatur eller søventil
2	Slangetilslutning med indv. diameter 38 mm (1,5 in.) til dækarmatur eller søventil
3	Inspektionsåbning eller -sted til niveauprøvedæksel (option)
4	Udluftningsslangetilslutning med indv. diameter 16 mm (0,625 in.)
5	Vakuumsikkerhedsventil
6	Indløbsslangetilslutning med indv. diameter 38 mm (1,5 in.) fra toiletet
7	Integrerede monteringsfødder (4 steder)



Bemærk

Kun et udløbsarmatur (1 eller 2) kan om nødvendigt ombygges til et indløbsarmatur. Et udløb skal forblive på det oprindelige sted på tanken. Indløbsarmaturet på den modsatte side af tanken (6) bør ikke ombygges til et udløbsarmatur.

4.1 Kendetegn

- Præinstalleret indløb og to udløb til tilslutning på doksiden og til søventiltilslutninger
- Indløbs- og udløbsarmaturer drejer af hensyn til slangetilslutning fra praktisk talt alle retninger (fig. **3** D, side 3)
- Udlødningsrør har et specielt ikke-tilstoppende design
- Vakuumsikkerhedsventilen beskytter tanken mod sammenklapning på grund af overtryk
- Ekstra armaturer gør det muligt at ombygge tanken til forskellige indløbs- og udløbskonfigurationer
 - Et indløb, to udløb (fig. **3** A, side 3)
 - Et indløb, et udløb på samme side af tanken (fig. **3** B, side 3)
 - Et indløb, et udløb på forskellige sider af tanken (fig. **3** C, side 3)
- Opfylder kravene i ISO 8099

5 Tankinstallation

5.1 Vælg en placering for lagertanken

En lagertank skal placeres så lavt som muligt i skroget. De fleste tilslutningslanger og -rør skal falde mod tanken for at sikre tømning med tyngdekraften og forhindre, at der trænger lugt ud af slangerne. Slangen, der er tilsluttet til en udlødningspumpe, bør tømme væk fra tanken.



Forsigtig!

Lagertanken må ikke udsættes for temperaturer over 45 °C (120 °F). Placér ikke tanken i nærheden af varmekilder som f.eks. motormanifolder, vandvarmere, generatorer, etc.

Beregn 16 cm (ca. 6 inches) over tanken ud over tankens dimensioner (fig. **1**, side 2) for nemt at udføre rørtilslutninger.

SERVICEADGANG – fordi Dometic lagertanke kan kræve minimal service under normal drift, skal tanken installeres, så der er nem adgang til inspektionsåbningen.

5.2 Forberedelse af en monteringsoverflade

Bestem en korrekt placeret overflade, som kan bære hele tankens område. Anvend mindst 13 mm tykt vandfast krydsfiner, hvis det er nødvendigt at lave en monteringsoverflade. Inkluder blokerende kanter på monteringsoverfladen, hvis der installeres med fastholdelsesremme (fig. **4** B, side 4).

5.3 Installation af tank på monteringsoverflade

Installation af integrerede monteringsfødder (fig. **4** A, side 4)

Anvend fastgørelser med mindst 6 mm dia. (#12) med spændeskiver med maks. 19 mm dia. (0,75 in.) i placeringerne af de fire monteringsfødder på bunden af tanken til at fastgøre tanken til overfladen.

Installation af fastgørelsesremme (fig. **4** B, side 4)

Fastgør fastgørelsesremmene med en maks. bredde på 31 mm (1,25 in.) over toppen af tanken og på monteringsoverfladen på begge sider af tanken, og placér dem i kanalerne på tanken.



Forsigtig!

Installér ikke tanken på fremspring, som f.eks. fastgørelsesender, som kan punktere tanken. Lagertanken må ikke blokere, at bundvandet kan løbe uhindret.

**Bemærk**

Fastgørelser (forskallingsbolte, skruer, spændeskiver, etc.) og fastgørelsesremme leveres ikke sammen med Dometic lagertanken.

6 Slangeinstallation

6.1 Slangeudvalg

Dometic lagertanke formonterede med slange tilslutningsarmaturer med indv. diameter 38 mm (1,5 in.) og 16 mm (0,625 in.). Hvis sanitetssystemet har andre slangestørrelser, skal der enten anvendes armaturadaptere til omstille fra Dometic armaturstørrelserne til den aktuelle slange eller installeres en slange, der passer til Dometic tankarmaturer

Hvis der installeres en ny slange, giver Dometic OdorSafe® Plus sanitetsslange den bedste beskyttelse mod, at der trænger lugt ud af udledningsslangerne til toilet og lagertank, og kan kun leveres med indv. diameter 38 mm (1,5 in.). Dometic MaxFlex™ slange kan leveres i alle størrelse, som er anført i vejledningen til sanitets- og udluftningsslangers størrelse (højre), og giver lugtbeskyttelse af høj kvalitet.

6.2 Slangeskema

Forklaring til (fig. 6 , side 4)

Ref.	Beskrivelse
A	Kompliceret rørskema
B	Enkelt rørskema
1	Problematisk slange
2	Lagertank

Ref.	Beskrivelse
3	Macerator-pumpe
4	Søventil (udledning i havet)
5	Y-ventil
6	Udledningpumpe

Diagram A viser en ukorrekt installation med flere slangeforbindelser, som kan indeholde ophobede væsker og forårsage, at der trænger lugt ud af slangerne. Diagram B viser et enkelt, højeffektivt rørsystem, som kan udføres med Dometic's speciale udformning af det integrerede lagertanksystem.

Vejledning til sanitets- og udluftningsslangers størrelse (fig. 5 , side 4)

Punkt	Beskrivelse
1	Sanitetsslange med indv. diameter 38 mm (1,5 in.)
2	Sanitetsslange med indv. diameter 25 mm (1 in.)
3	Udluftningsslange med indv. diameter 19 mm (0,75 in.)
4	Udluftningsslange med indv. diameter 16 mm (0,625 in.)

Forskellige producenter af skibstoiletter anvender forskellige udløbsstørrelser. Kontrollér udløbsstørrelsen på toilettet(erne) eller størrelsen på toilettets udledningsslange(r), som skal tilsluttes til lagertanken.

- Anvend om nødvendigt et adapterarmatur for at tilslutte til et tankindløbsarmatur på 38 mm, hvis der tilsluttes en eksisterende toiletudledningsslange til den nye tank.
- Anvend en ID Dometic OdorSafe Plus slange med 38 mm, hvis der installeres en ny slange fra toilet til tank. Anvend om nødvendigt et adapterarmatur mellem toilet og slange.
- Anvend 90° vinkelrør til at foretage bøjninger, hvis radius er mindre end 210 mm.
- Der leveres et andet indløbsarmatur med Dometic lagertanken, hvis der foretrækkes et separat indløbsarmatur, og der kun er brug for et udløbsarmatur.
- OdorSafe Plus slangen eller et fast rør skal installeres på alle slanger, som kan indeholde spildevand.
- Nogle søventiler og gennemgående udledningsarmaturer kan have en diameter på 25 mm. Anvend et 38 mm x 25 mm slangereduktionsrør og en 25 mm MaxFlex-slange, hvis det er tilfældet.



Bemærk

Der skal være en ventil med et aflåseligt håndtag på alle gennemgående armaturer, som udleder spildevand.



Bemærk

Der skal installeres serviceventiler i alle rør, som indeholder væske og er tilsluttet til komponenter, som kræver regelmæssig service.



Forsigtig – fare for oversvømmelse!

Hvis toilettet, lagertanken eller andre komponenter tilsluttes til gennemgående armaturer, skal korrekt installerede søventiler installeres i rør, der er tilsluttet til de gennemgående armaturer. Der skal være nem adgang til søventilerne for alle systemets brugere. Alle ventiler skal være fuldt borede ventiler og have skibskvalitet (resistente mod korrosion). Spærreventiler, der skrues for at lukke, anbefales ikke. Hvis dette ikke overholdes, kan det medføre oversvømmelse, som kan medføre tab af liv eller materielle værdier.



Forsigtig – fare for oversvømmelse!

Nogle marine funktioner og/eller standarder kræver, at der installeres en ventileret (udluftet) løkke, der er placeret korrekt, i udledningsrørene for at forebygge, at havvand løber tilbage i lagertanken. Det er op til installatøren af systemet og bådens ejer at vælge passende forholdsregler til at forebygge, at der løber vand tilbage i lagertanken.

Skibstoilet til lagertank (fig. 7, side 5)

Punkt	Beskrivelse
1	Første skibstoilet (25, 38 eller 40 mm udledning)
2	Andet skibstoilet (25, 38 eller 40 mm udledning)
3	Y- eller T-armatur (skal installeres i flowretningen)
4	Slange fra toiletter til lagertank
5	Lagertank

Udledningsslanger (fig. 8, side 5)

Punkt	Beskrivelse
1	Udledningsslange til dækararmatur (38 mm indv. diameter)
2	Udledningsslange til søventil og udledningsarmatur (38 mm indv. diameter)
3	Udledningpumpe
4	Lagertank

Udluftningslange (fig. 9, side 5)

Punkt	Beskrivelse
1	udluftningslange
2	udluftningsfilter
3	Lagertank

- Udluftningsarmaturet på Dometic lagertanken passer til en udluftningslange med indv. diameter på 16 mm.
- Installer et Dometic udluftningsfilter i udluftningsforbindelsen for at absorbere ildelugtende dampe og kun at lade frisk luft komme ud af udluftningen.

**Bemærk**

Udluftningsforbindelsen må ikke have lave steder, der kan skabe en væskesamling.

6.3 Anbefalede slangeinstallationsmetoder

Blokér ikke muligheden for at trække slangen eller røret af (fig. 10 A, side 6).

Undgå vinklede hjørner og skarpe knæk (fig. 10 B, side 6).

Anvend ikke trådbindere til at fastgøre slangen eller røret. Understøt fleksible slanger for hver 0,3 m (12 inches), og understøt faste rør for hver 1,5 m (5 feet).

Anvend en støttekanal under slangen eller røret, hvis det er muligt (fig. 10 C, side 6).

Skotgennemføringer (fig. 11, side 6)

Kontrollér begge sider af skottet for at sikre, at der ikke skæres ind i:

- Brændstof- eller vandtanke
- Ledninger eller rør
- Forstærkningsstringere (4), som støtter skroget

Undgå kanter (1) og stringere (4), som holder skotter og skillevægge på plads, hvis der laves nye huller. Sørg for ekstra forstærkning, så strukturens stabilitet ikke reduceres.

- Undgå (2)
- Mulig (3)

Slanger og varmekilder

Driftstemperaturen for fleksible slanger tillader ikke, at de udsættes for kraftige eller direkte varmekilder som f.eks. pærer eller motormanifolder. Anvend et fast rør i stedet for en slange, hvis en del af slangesystemet skal føres tæt på en varmekilde.

6.4 Tilslutning af slange til plastikarmaturer

Anvend et specielt slangesmøremiddel, der er vedlagt Dometic lagertanken, når fleksible slanger tilsluttes til plastikarmaturer (fig. 12, side 7). Påfør smøremidlet på armaturets ender og i slangeenden, som skal tilsluttes til armaturet. Dometic smøremidlet gør tilslutninger nemmere. Anvend ikke et andre smøremidler, tætningsmaterialer eller klæbemidler.

Slangeklemmer (fig. 13, side 7)

Hvis slangetilslutning skal sikres med to slangeklemmer for at forhindre muligheden for lækager.

Placér klemmeskruerne 180° fra hinanden, og spænd klemmen. Spænd ikke klemmerne for meget, da de kan skære ind i slangen. Hvis en lækage kun kan standses ved at spænde for meget, er tilslutningen mellem slange og armatur ikke dimensioneret korrekt, og der er brug for en adapter eller et armatur med en anden størrelse.

Undgå klemmer med forniklede skruer, som er udsat for korrosion. Anvend klemmer af 100 procent rustfrit stål.



Bemærk

Hvis en klemmeskrue er let magnetisk, kan den enten være af rustfrit stål af lavere kvalitet eller forniklet.

7 Rengøring og frostsikring

7.1 Rengøring

Der forbliver altid lidt vand i lagertanke, så det er godt at skylle en lagertank fuldstændigt, når indhold er blevet udledt.

1. Kom lagertanklugtfjerner eller -rengøringsmiddel i toiletkummen efter den første udpumpning, og skyl med vand.
2. Bliv ved med at skylle og udpumpe tanken, indtil udledningen fra lagertanken er ren.

7.2 Frostsikring

Anvend kun propylenglycol-frostvæske til ferskvand til at frostsikre lagertanken. Sørg for, at frostvæsken ikke indeholder alkohol.

1. Udpump lagertanken.
2. Skul systemet grundigt med rent vand, før der iblandes propylenglycol-frostvæske til ferskvand i lagertanken.

8 Specifikationer

Materialer

Lagertank: Polyethylen; 6,3 mm nom. vægtykkelse. Naturfarvet.

Armaturer: Polyvinylchlorid, ABS. Hvid.

Tætningstyler: Tværbunden EPDM-gummi/polypropylen. Hvid.

Model	Kapacitet l / US gal.	Tom vægt kg / lb.	Fuld vægt kg / lb.	Dimensioner mm / in
DHT42L	42 / 11	5.4 / 12	47.9 / 105.5	460 x 350 x 348 / 18.1 x 13.8 x 13.7
DHT61L	61 / 16	7.7 / 17	69.4 / 153	660 x 350 x 348 / 26.0 x 13.8 x 13.7
DHT88L	88 / 23	10.2 / 22.5	98.9 / 218	800 x 400 x 388 / 31.5 x 15.7 x 15.3
DHT110L	110 / 29	14 / 30.9	125.9 / 277.4	1200 x 350 x 348 / 47.2 x 13.8 x 13.7
DHT137L	137 / 36	14.5 / 32	153.3 / 338	1200 x 400 x 388 / 47.2 x 15.7 x 15.3

Dometic DHT-L seriens lagertanke er tryktestede indtil 30 kPa (0,3 bar, 4 PSI).

9 Garanti og Produktansvar

Europa:

Garanti og kundeservice

Garantibetingelser er i overensstemmelse med EF-direktiv 44/1999/EF og de normale gældende betingelser for det pågældende land. Kontakt vores Dometic/Waeco serviceafdeling, der er anført andetsteds i denne vejledning, for garanti eller anden service. Al beskadigelse på grund af ukorrekt brug er ikke dækket af garantien.

Garantien dækker ikke ændringer på produktet eller anvendelse af reservedele, der ikke er originale Dometic-dele; garantien gælder ikke, hvis installations- og driftsinstruktionerne ikke er fulgt, og der tages intet ansvar.

Produktansvar

Produktansvaret for Dometic Group og datterselskaber omfatter ikke skader som følge af: Forkert betjening, ukorrekte ændringer eller indgriben i udstyret; uheldige påvirkninger fra miljøet, som kan påvirke udstyret selv, udstyrets direkte omgivelser eller personer i området.

Kontakt først den lokale forhandler, hvor dette produkt blev købt for at få garantiservice, eller gå til <http://www.dometic.com> for nærmeste forhandler.

Innhold

NO

1	Merknader om bruk av håndboken	83
2	Generelle sikkerhetsanvisninger	83
3	Tiltentkt bruk	84
4	Komponenter og funksjoner	84 - 85
5	Tankinstallasjon	85 - 86
6	Slangeinstallasjon	86 - 89
7	Rengjøring og frostbeskyttelse	89
8	Spesifikasjoner	89
9	Garanti og Produktansvar	90

1 Merknader om bruk av håndboken



Forsiktig!

Sikkerhetsanvisning: Dersom denne anvisningen ikke overholdes, kan det føre til materielle skader og at funksjonen til enheten svekkes.



Merk

Ekstra informasjon om bruken av enheten.

fig. 2 1, side 3 : Dette refererer til et element i en illustrasjon. I dette eksemplet, element 1 i figur 2 på side 3.

2 Generelle sikkerhetsanvisninger

Produsenten kan ikke holdes ansvarlig for krav om skadeerstatning som oppstår pga. følgende:

- Feil montering eller tilkobling
- Skade på enheten pga. mekanisk påvirkning
- Endringer på enheten uten tillatelse fra produsenten
- Brukt til andre formål enn de som er beskrevet i bruksanvisningen

Når man bruker elektriske enheter til å installere dette systemet, må man overholde følgende sikkerhetsinformasjon for å beskytte mot:

- elektrisk støt
- brannfare
- personskade



Forsiktig!

Før du arbeider på noen deler av et eksisterende eller nylig installerte komponenter til et sanitetssystem, må du kontrollere at all strøm til systemet er slått av og at alle stoppekraner står i STENGT- eller AV-stilling. Hvis du ikke gjør dette, kan det føre til oversvømmelse som igjen kan føre til tap av liv eller eiendom.

3 Tiltenkt bruk

Dometic oppbevaringstanksystemer er høykvalitets, varig utstyr for lagring av toalett avløps-vann om bord på et fartøy, den tømmer effluenten ved godkjente deponeringsfasiliteter eller i uregulert farvann, og hindrer at kloakk forurensrer sensitivt vann, som båthavner, i nærheten av badestrender eller over skaldyrsbunn.

Dometic oppbevaringstanker kan også brukes bruk av gråvann (vann fra dusjer, tanker, vaske maskiner, osv.), forutsatt at gråvann er den eneste typen vann som kommer inn i tanken.



Merk

Hver fikstur som slipper gråvann inn i en oppbevaringstank må ha vannlås for å hindre utslipp av lukt til oppholdsrom.



Forsiktig!

Båtoperatøren må kjenne på de lokale forskriftene for tømning av kloakk.

3.1 Fordeler ved Dometic oppbevaringstanker

Lekkasjesikker konstruksjon. Dometic oppbevaringstank-koblinger er tilkoblet på toppen av tanken, dette eliminerer muligheten for lekkasje på grunn av defekte koblinger under nivået til tankinnholdet.

Luktfri, varig ytelse. Tankene er laget av lineær lavtetthets polyetylen, det beste materialet for å holde tankkonstruksjonen på grunn av motstanden overfor korrosjon og inntrenging av lukt. Den vil vare lenger enn et typisk skrog.

Implosjonbeskyttelse. Kombinasjon av solid tank og vakuum trykkbegrensningsventil for å hindre potensiell skade fra pumper på havneområdet som kan gå med høye vakuumnivåer.

4 Komponenter og funksjoner

Elementer i fig. 2 , side 3	Beskrivelse
1	38 mm (1,5") ID avløpsslangetilkobling til dekkkobling eller stoppekran
2	38 mm (1,5") ID avløpsslangetilkobling til dekkkobling eller stoppekran
3	inspeksjonsport eller plassering for ekstra følerdeksel på nivåindikator
4	16 mm (0,625") ID ventilasjonsslange-tilkobling
5	vakuumentil
6	38 mm (1,5") ID innløpsslangetilkobling fra toalett
7	integreerte monteringsføtter (4 plasseringer)



Merk

Kun én uttakskobling (1 eller 2) kan gjøres om til en innløpskobling om nødvendig. Ett utløp må forbli på det opprinnelige stedet på tanken. Innløpskobling på motsatt side av tanken (6) må ikke gjøres om til utløpskobling.

4.1 Egenskaper

- Forhåndsmontert innløp og to uttak for tilkoblinger til havneanlegg og stoppekraner.
- Innløps- og uttakskoblinger roterer for å forenkle slangetilkobling fra praktisk talt hvilken som helst retning (fig. **3** D, side 3)
- Tømmeslanger må ha en spesiell tilstopningsfri konstruksjon
- Vakuumventilen beskytter tanken mot overtrykkskollaps
- Ekstra koblinger tillater tankomforming til ulike inntaks- og utløpskonfigurasjoner
 - ett inntak, to utløp (fig. **3** A, side 3)
 - ett inntak, ett utløp på samme side av tanken (fig. **3** B, side 3)
 - ett inntak, ett utløp på ulike sider av tanken (fig. **3** C, side 3)
- I samsvar med kravene til ISO 8099

5 Tankinstallasjon

5.1 Velge plassering for oppbevaringstanken

En oppbevaringstank bør plasseres så lavt i skroget som mulig. De fleste tilslutningsslanger eller -rør bør helle nedover mot tanken for å tillate tyngdekrafttømming samt forhindre mulig gjennomtrengning av luft i slangen. Slange koblet til en overbord-tømmepumpe skal tømme bort fra tanken.

**Forsiktig!**

Oppbevaringstanken må ikke utsettes for temperaturer over 45 °C (120 °F). Ikke plasser tanken nær varmekilder som motormanifolder, varmtvannsberedere, generatorer etc.

I tillegg til dimensjonene til tanken (fig. **1**, side 2) må det være 16 cm (ca. 6") over tanken for å forenkle sanitærtilkoblinger.

ADKOMST VED SERVICE – I og med at Dometic lagertanker kan kreve en minimumservice under normal drift, må tanken monteres slik at det er enkel adkomst til inspeksjonsporten.

5.2 Klargjøre en monteringsoverflate

Bestem riktig plassert overflate som vil støtte hele arealet til tanken. Hvis en monteringsoverflate må fabrikeres, må man bruke vannfast finérplate som er minimum 13 mm tykk. Hvis man installerer med festestropper, må det være tåblokker på monteringsoverflaten (fig. **4** B, side 4).

5.3 Installere tanken på monteringsoverflaten

Installasjon av integrerte monteringsføtter (fig. **4** A, side 4)

På de fire monteringsplassene rundt bunnen av tanken må man bruke (#12) fester med minst 6 mm dia. med 19 mm maks. diameter (0,75") skiver for å feste tanken til overflaten.

Installasjon av restraining Strap (fig. **4** B, side 4)

Med festestropper på 31 mm (1,25") maksimum bredde, festes stroppene over toppen av tanken til montasjeoverflaten på begge sider av tanken, plasser stroppene innenfor kanalene på tanken.

**Forsiktig!**

Ikke installer tanken på fremspring, som f.eks. festehoder som kan punktere tanken. Påse at oppbevaringstanken ikke blokkerer fri strøm av bunnvann.

**Merk**

Fester (franske treskruer, skruer, skiver, osv.) og festestropper følger ikke med Dometic oppbevaringstanken.

6 Slangeinstallasjon

6.1 Slangevalg

Dometic oppbevaringstanker er forhåndsmontert med 38 mm (1,5") og 16 mm (0,625") ID slangetilkobling. Hvis ditt sanitær-system bruker andre slanger enn disse størrelsene, kan du enten bruke tilkoblingsadaptere til å ednre fra Dometic koblingsstørrelser til din aktuelle slange, eller installere ny slange for å passe til Dometic tankoblinger.

Hvis man installerer ny slange, gir Dometic OdorSafe® Plus sanitærslange best beskyttelse mot gjennomtrenging av luft i slangen for toalett og tømmeledninger for oppbevaringstank, og fås kun med innvendig diameter 38 mm (1,5"). Dometic MaxFlex™ slange leveres i alle størrelsene som er listet opp i Sanitation, lufteslange dimensjoneringsveiledning (høyre), og gir meget god luktmotstand.

Sanitær, ventilasjonsslange dimensjoneringsguide (fig. 5 , side 4)

gjenstand	Beskrivelse
1	38 mm (1,5") ID sanitærslange
2	25 mm (1") ID sanitærslange
3	19 mm (0,75") ID ventilasjonsslange
4	16 mm (0,625") ID ventilasjonsslange

6.2 Slangelayout

Nøkkel til (fig. 6 , side 4)

Ref.	Beskrivelse
A	komplisert layout for sanitæranlegg
B	enkel layout for sanitæranlegg
1	problemslange
2	oppbevaringstank

Ref.	Beskrivelse
3	macerator-pumpe
4	stoppekran (overbord-tømming)
5	stjerneventil
6	tømmepumpe

Skjema A viser feil installasjon med flere slanger som kan holde på fanget væske og medføre gjennomtrenging av luft i slangen. Skjema B viser et forenklet, meget effektivt sanitærssystem som man kan oppnå med Dometics spesialintegreerte oppbevaringstank systemdesign.

Forskjellige produsenter av skipstoiletter bruker forskjellige størrelser på uttakene. Sjekk uttaksstørrelsen på toalett(er) eller størrelsen på toalettømmeslangen(e) som vil koble til oppbevaringstanken.

- Hvis man kobler tidligere toalettømmeslange til en ny tank, må man bruke adapterkobling til å koble til 38 mm tankinnløpskobling, hvis nødvendig.
- Hvis man installerer ny slange fra toalett til tank, må man bruke 38 mm ID Dometic OdorSafe Plus slange. Bruk om nødvendig adapterkobling mellom toalett og slange.
- Bruk 90° vinkelkoblinger til vinkler når radiusen er mindre enn 210 mm.
- Det følger en innløpskobling til med Dometic oppbevaringstanken hvis man foretrekker en separat innløpskobling og kun én utløpskobling er nødvendig.
- Det bør monteres OdorSafe Plus-slange eller stivt rør på alle slanger som holder på kloakk.
- Det kan være at enkelte eksisterende tappekraner og skroggjennomgående tømmekoblinger er på 25 mm i diameter. Hvis det er tilfelle, bruker man en 38 mm x 25 mm reduksjon og 25 mm MaxFlex sanitærslange.



Merk

Det må være en ventil med et låsbart håndtak på alle skroggjennomgående koblinger som slipper ut kloakk.



Merk

Det må monteres vedlikeholdsventiler i alle rørsystemer som holder på væsker og som er tilkoblet komponenter som har behov for regelmessig vedlikehold.



Forsiktig – Overløpsfare!

Hvis toalettet, oppbevaringstanken eller noen andre komponenter er koblet til noen skroggjennomgående koblinger, må det installeres stoppekraner på riktig måte i alle rør som er koblet til skroggjennomføringskoblingene. Stoppekranene må være lett tilgjengelige for alle brukerne av systemet. Alle ventiler må være fulløpsventiler og av maritim kvalitet (korrosjonsbestandig). “Screw-to-close gate”-ventiler anbefales ikke. Hvis du ikke gjør dette, kan det føre til oversvømmelse som igjen kan føre til tap av liv og eiendom.



Forsiktig – Overløpsfare!

Enkelte maritime praksiser og/eller standarder krever montering av en riktig posisjonert ventilert (luftet) sløyfe i tømmerørene for å forhindre tilbakeslag av sjøvann inn i lagertanken. Det er opp til installatøren av systemet og eieren av skipet å velge de riktige metodene for å forhindre tilbakeslag inn i lagertanken

Skipstolett til oppbevaringstank (fig. 7 , side 5)

gjenstand	Beskrivelse
1	Første skipstolett (25, 38 eller 40 mm uttak)
2	Andre skipstolett (25, 38 eller 40 mm uttak)
3	Stjerne- eller T-kobling (må installeres i strømningsretningen)
4	Slange fra toaletter til oppbevaringstank
5	oppbevaringstank

Tømmeslanger (fig. 8 , side 5)

gjenstand	Beskrivelse
1	Tømmeslange til dekkkobling (38 mm ID)
2	Tømmeslange til stoppekran og tømmekobling (38 mm ID)
3	tømmepumpe
4	oppbevaringstank

Ventilasjonslange (fig. 9, side 5)

gjenstand	Beskrivelse
1	ventilasjonslange
2	ventilasjonsfilter
3	oppbevaringstank

- Luftkobling på Dometic oppbevaringstank er beregnet på 16 mm ID ventilasjonslange.
- Monter et Dometic ventilasjonsfilter i lufteredningen for å absorbere illeluktende gasser og som slipper kun frisk luft ut av ventilasjonen.

**Merk**

Ventilasjonslangen må ikke ha lave strekk som kan danne væskefeller.

6.3 Anbefalte metoder for slangeinstallasjon

Ikke begrens muligheten til å trekke i slangen eller røret (fig. 10 A, side 6).

Unngå å feste hjørner og skarpe bend (fig. 10 B, side 6).

Ikke bruk kabelklemmer til å feste slangen eller røret. Støtt den fleksible slange hver 0,3 m (12") og støtt stivt rør hver 1,5 m (5 fot).

Der det er mulig bruker man en støttekanaladapterkobling under slangen eller røret (fig. 10 C, side 6).

Penetrering av skrog (fig. 11, side 6)

Kontroller hver side av skroget for å sikre at det ikke kuttes i:

- drivstoff- eller vanntanker
- ledningsnett eller rør
- forsterkning avstivinger (4) som støtter skroget

Når man lager nye hull, må man unngå fester (1) og avstivinger (4) som holder skrog eller skillevegger på plass. Sørg for ekstra forsterking slik at strukturen ikke svekkes.

- unngå (2)
- mulig (3)

Slange og varmekilder

Driftstemperaturområdet til de fleksible slangene forhindrer eksponering overfor kilder av kraftig eller direkte varme, så som lyspærer eller motorrør. Hvis det er noen deler av slangesystemet som må kjøres nær en varmekilde, må det brukes stivt rør i stedet for slange.

6.4 Tilslutningslange til plastkoblinger

Når en fleksibel slange kobles til plastkoblinger (fig. 12, side 7)), må det benyttes spesielt smøremiddel for slanger som leveres med Dometic oppbevaringstanken. Bruk smøremiddel på enden av koblingene og inne i enden på slangen som kobler til koblingen. Dometic smurningen gjør koblingene enklere. Ikke bruk annen smurning, tetningsmasse eller lim.

Slangeklemmer (fig. 13, side 7)

Hver slangetilkobling skal sikres med to slangeklemmer for å hindre lekkasjer.

Plasser klemmeskruene 180° fra hverandre og trekk til klemmen. Du må ikke trekke til klemmene for mye, da de kan skjære seg inn i slangen. Hvis for kraftig tiltrekking er den eneste måten å stoppe en lekkasje på, er ikke slange-til-kobling koblingen riktig dimensjonert, og adapter eller kobling med annen størrelse er nødvendig.

Unngå klemmer med nikkelbelagte skruer som lett ruster. Bruk klemmer i 100 prosent rustfritt stål.



Merk

Hvis klemmeskruen er litt magnetisk, kan den være enten av rustfritt stål av lavere kvalitet eller nikkelbelagt.

7 Rengjøring og frostbeskyttelse

7.1 Rengjøring

Det er alltid igjen litt vann i oppbevaringstankene, derfor er det god praksis å skylle en oppbevaringstank helt etter at innholdet er tømt ut.

1. Etter første utpumping, tilsettes deodorant for oppbevaringstank eller rengjøringsmiddel i toalettskålen, og spyl med vann.
2. Fortsett å spyle og pumpe ut tanken til væsken som kommer ut av oppbevaringstanken er klar.

7.2 Frostbeskyttelse

Bruk kun propylen glykol ferskvann frostvæske til å beskytte oppbevaringstanken mot frost. Forsikre deg om at frostvæsken ikke inneholder alkohol.

1. Pump ut oppbevaringstanken.
2. Spyl systemet grundig med ferskvann før du tilsetter propylen glykol ferskvann frostvæske i oppbevaringstanken.

8 Spesifikasjoner

Materialer

Oppbevaringstank: polyetylen; 6,3 mm nominell veggtykkelse. Naturlig farge.

Koblinger: polyvinyl klorid, ABS. Hvit farge.

Forseglingsstopper: tverrbundet EPDM gummi/polypropylen. Hvit farge.

Modell	Kapasitet L / US gal.	Tom vekt kg / lb.	Full vekt kg / lb.	Dimensjoner mm / tomme
DHT42L	42 / 11	5.4 / 12	47.9 / 105.5	460 x 350 x 348 / 18.1 x 13.8 x 13.7
DHT61L	61 / 16	7.7 / 17	69.4 / 153	660 x 350 x 348 / 26.0 x 13.8 x 13.7
DHT88L	88 / 23	10.2 / 22.5	98.9 / 218	800 x 400 x 388 / 31.5 x 15.7 x 15.3
DHT110L	110 / 29	14 / 30.9	125.9 / 277.4	1200 x 350 x 348 / 47.2 x 13.8 x 13.7
DHT137L	137 / 36	14.5 / 32	153.3 / 338	1200 x 400 x 388 / 47.2 x 15.7 x 15.3

Oppbevaringstanker i Dometic DHT-L serien er trykktestet til 30 kPa (0,3 bar, 4 PSI).

9 Garanti og Produktansvar

Europa:

Garanti og kundeservice

Garantiordningen er i samsvar med EU-direktiv 44/1999/EC og de normale betingelsene som gjelder for hvert respektive land. For garanti eller annen tjeneste, ta kontakt med vår Dometic/Waeco serviceavdeling som er listet opp et annet sted i denne håndboken. Eventuell skade grunnet feil bruk dekkes ikke av garantien.

Garantien dekker ikke eventuelle endringer som er blitt utført på produktet eller bruken av uoriginale Dometic-deler. Garantien gjelder ikke dersom monteringen og bruksanvisningen ikke følges, og hvis dette ikke følges opphører vårt ansvar.

Produktansvar

Produktansvaret til Dometic-konsernet og dets datterselskaper inkluderer ikke skader som kan oppstå fra: Feil bruk; ikke tillatte endringer eller inngripen i utstyret; ugunstige effekter fra miljøet som kan påvirke selve utstyret eller de direkte omgivelsene til utstyret eller personer i området.

For å få garantiservice, må du først ta kontakt med din lokale forhandler hvor du kjøpte produktet eller se <http://www.dometic.com> for en forhandler nær der du bor.

GERMANY**Dometic WAECO International GmbH**

Hollefeldstraße 63 · D-48282 Emsdetten

☎ +49 (0) 2572 879-195 · 📠 +49 (0) 2572 879-322

Mail: info@dometic-waeco.de · Internet: www.dometic-waeco.de**AUSTRALIA****Dometic Australia Pty. Ltd.**1 John Duncan Court
Varsity Lakes QLD 4227
☎ +61 7 55076000

📠 +61 7 55076001

Mail: sales@dometic-waeco.com.au**AUSTRIA****Dometic Austria GmbH**Neudorferstrasse 108
2353 Guntramsdorf
☎ +43 2236 908070
📠 +43 2236 90807060Mail: info@waeco.at**BENELUX****Dometic Benelux B.V.**Ecustraat 3
NL-4879 NP Etten-Leur
☎ +31 76 5029000
📠 +31 76 5029090Mail: info@dometic.nl**DENMARK****Dometic Denmark A/S**Nordensvej 15, Taulov
DK-7000 Fredericia
☎ +45 75585966
📠 +45 75586307Mail: info@waeco.dk**FINLAND****Dometic Finland OY**Mestarinie 4
FIN-01730 Vantaa
☎ +358 20 7413220
📠 +358 9 7593700Mail: info@dometic.fi**FRANCE****Dometic SAS**ZA du Prê de la Dame Jeanne
F-60128 Plailly
☎ +33 3 44633500
📠 +33 3 44633518Commercial : info@dometic.frSAV/Technique : service@dometic.fr**HONG KONG****WAECO Impex Ltd.**Suites 2207-2211 · 22/F · Tower 1
The Gateway · 25 Canton Road,
Tsim Sha Tsui · Kowloon
Hong Kong
☎ +852 24611386
📠 +852 24665553Mail: info@dometic-waeco.com.hk**ITALY****Dometic Italy S.r.l.**Via Virgilio, 3
I-47100 Forlì
☎ +39 0543 754901
📠 +39 0543 756631Mail: info@dometic.it**NORWAY****Dometic Norway AS**Skolmar 24
N-3232 Sandefjord
☎ +47 33428450
📠 +47 33428459Mail: firmapost@waeco.no**POLAND****Dometic Poland Sp. z o.o.**Ul. Puławska 435A
02-801 Warszawa
Poland
☎ +48 22 414 32 00
📠 +48 22 414 32 01Mail: info@dometic.pl**RUSSIA****Dometic RUS LLC**Komsomolskaya square 6-1
107140 Moscow
Russia
☎ +7 495 780 79 39
📠 +7 495 916 56 53Mail: info@dometic.ru**SLOVAKIA****Dometic Slovakia s.r.o.**Teheľná 8
SK-98601 Filákovo
☎ +421 47 4319 107
📠 +421 47 4319 166Mail: info@dometic.sk**SPAIN****Dometic Spain S.L.**Avda. Sierra del Guadarrama, 16
E-28691 Villanueva de la Cañada
Madrid
☎ +34 902 111 042
📠 +34 900 100 245Mail: info@dometic.es**SWEDEN****Dometic Scandinavia AB**Gustaf Melins gata 7
S-42131 Västra Frölunda (Göteborg)
☎ +46 31 7341100
📠 +46 31 7341101Mail: info@waeco.se**SWITZERLAND****Dometic Switzerland AG**Riedackerstrasse 7a
CH-8153 Rümlang (Zürich)
☎ +41 44 8187171
📠 +41 44 8187191Mail: info@dometic-waeco.ch**TAIWAN****WAECO Impex Ltd.**Taipei Office
2 FL-3 · No. 56 Tunhua South Rd, Sec 2
Taipei 106, Taiwan
☎ +886 2 27014090
📠 +886 2 27060119Mail: marketing@dometic-waeco.com.tw**UNITED KINGDOM****Dometic UK Ltd.**Dometic House · The Brewery
Blandford St. Mary
Dorset DT11 9LS
☎ +44 844 626 0133
📠 +44 844 626 0143Mail: sales@dometic.co.uk**UNITED ARAB STATES****Dometic Middle East FZCO**P. O. Box 17860
S-D 6, Jebel Ali Freezone
Dubai, United Arab Emirates
☎ +971 4 883 3858
📠 +971 4 883 3868Mail: info@dometic.ae**UNITED STATES OF AMERICA****Dometic Marine Division**2000 N. Andrews Ave. Extension
Pompano Beach, FL 33069 USA
☎ +1 954 973 2477
📠 +1 954 979 4414Mail: marinesales@dometicusa.com

REVISION A

Form No. 600346036 6/17
©2017 Dometic Corporation



Dometic Corporation, Sanitation Division
13128 State Rt. 226, P.O. Box 38
Big Prairie, OH 44611 USA
1-800-321-9886 • Fax: 330-496-3097
www.Dometic.com