

# DS18<sup>®</sup>

HYDRO

**MRX1** | POWERSPORTS & MARINE  
MULTIMEDIA RADIO

# DS18<sup>®</sup>

HYDRO

**MRX1**

POWERSPORTS & MARINE  
MULTIMEDIA RADIO



▲▲ FOR ALL  
ELEMENTS



OWNER'S MANUAL

## OPERATION:

### Turn on/off the unit:

Press on/off button to turn on the unit. When the unit is on. Press and hold it for 2 seconds to turn off the unit.

### Sound and setting adjustment:

Shortly press **VOL** knob for the audio menu:

BAS->TRE->BAL->FAD->EQ->LOUD

Press and hold **VOL** knob for 2 seconds for the setting menu:

SUB-V(20~0) -> SW(80HZ/120HZ/160HZ)-> CLK HH -> CLK MM ->

CT(indep/sync) ->CLOCK(12/24)->

BEEP(on/off)->P\_VOL(17)->AREA(USA/EUR)->DX/LOC->ST/MONO

In each item rotate the **VOL** knob to set them.

**EQ:** To select the preset EQ as below: FLAT->POP->ROCK->CLAS->EQ OFF.

**LOUD (on/off):** Turn on/off the loudness function.

**SUB-V (20~0):** Subwoofer volume adjustment.

**SW (160Hz/120Hz/80Hz):** Subwoofer Low Pass Frequency selection.

**CLK HH/CLK MM:** To adjust the hours and minutes of the clock.

**CT (INDEP/SYNC):**

**CT INDEP:** The clock works independently.

**CT SYNC:** The clock will be synchronized to the received RDS station's time.

**Note:** When the time was set by manual. The CT will back to INDEP mode automatically.

**CLOCK 24/12:** Setting the time to 24H or 12H format.

**BEEP (on/off):** Turn on/off the beep sound.

**P-VOL (Preset VOL):** Setting the power on volume. If the volume at shutdown is small than the P-VOL value. Next time turn on the unit, the volume will be maintained at shutdown volume. If the volume at shutdown is greater than the P-VOL value. Next time turn on the unit the volume will be restored to the P-VOL value.

**AREA (USA/EUR):** Choose America or Europe region frequency.

**DX/LOC (Distance/Local):**

**LOC:** Receive the strong signal station only in seek station.

**DX:** Receive strong and weak signal station in seek the station.

**STEREO/MONO:**

**STEREO:** Receive FM stereo signal.

**MONO:** Change FM stereo to monochrome. It can reduce the noise when the signal is weak.

### Display the clock or information

Shortly press **CLK** button to show the clock or information.

## Reset the unit

Press and hold ►|| button for 5 seconds to reset the unit.

**Note:** When **RESET** function is activated, all the memories will be lost.

## MUTE on/off operation

In RADIO/AUX source press ► button for MUTE on/off function. In USB/BT source press ►|| button for Pause/Play function.

## Radio Operation

### Receive a radio station

Press **SRC** button to select **RADIO** mode. Then press **BAND** button to select a band. Shortly press ►/◀ button to receive the desired radio station. Press and hold ►/◀ button for manual tuning the frequency.

### Manually store station

Receiving a desired station. Press and hold the **PRESETS** button for 2 seconds. It shows "SAVE P1". Rotating **VOL knob** to select **P1~6** then press **VOL button**. The station will be saved.

### Listening to the memory station

Shortly press the **PRESETS** button then rotating **VOL knob** to select the presets 1-6 of current band.

### Auto store station

Press and hold **BAND** button to auto store stations to numeric buttons 1-6 of band 1~3.

## USB Operation

When an USB driver inserted to the unit, the unit will play the MP3/WMA file automatically. If an USB drive is already inserted in the unit. Keep pressing **SRC** button shortly until the USB mode display appears.

Select file

Press ►/◀ button to skip to next/previous file. Hold ►/◀ button to fast forward or fast reverse.

## Play/Pause

Press ►|| button to pause/play the playing.

## DIR+/DIR- function

Shortly press **PRESETS** button for 1 time. It shows DIR-SCH. Rotating **VOL knob** to select another directory to play.

## KEY FUNCTION

### Search song

Shortly press PRESETS button for 2 times. It shows NUM-SCH. Rotating VOL knob to enter numbers. Press VOL knob to play.

### RPT (ALL/ONE/FOLD)

MP3/WMA playing, Press and hold PRESETS button for 2 seconds, it shows "RPT ALL". Rotating VOL knob to select RPT ALL/RPT ONE/RPT FOLD.

### RDM (ON/OFF)

MP3/WMA playing, Press and hold PRESETS button for 2 seconds, then shortly press it again. It shows "RDM OFF". Rotate VOL knob to select RDM on/off.

### Back to play the 1'st song

MP3/WMA playing, Press and hold BAND button. It will play the 1'st song of the USB.

### AUX IN operation

Connecting the audio signal to the R/L IN connecter behind the unit. Then pressing SRC button to switch to AUX mode.

### Bluetooth Operation

#### Pairing

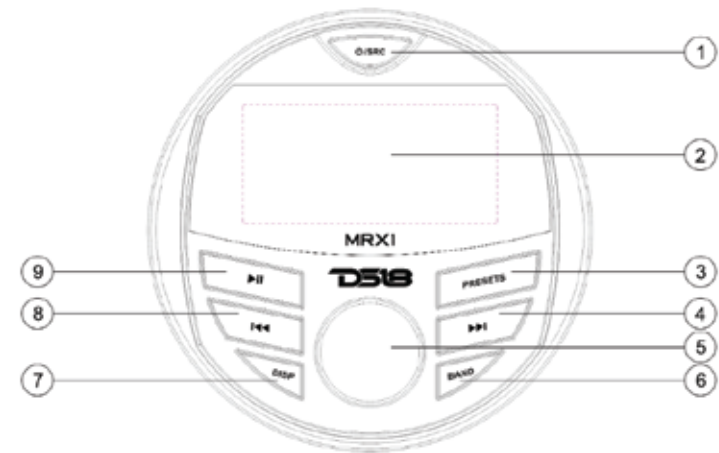
On mobile phone, select the Bluetooth item searching the Bluetooth device. "DS18-MRX1" should appear in the list, select "DS18-MRX1" and then input password "0000" If it needs a password. When successful paired, the BT symbol will be shown on LCD.

#### Bluetooth Audio

Press SRC button to switch to BT mode. It will play a song of your mobile phone automatically. Press ►|| key to pause/play the song. Press ►/◄ button to select next/previous song.

#### Disconnect the Bluetooth

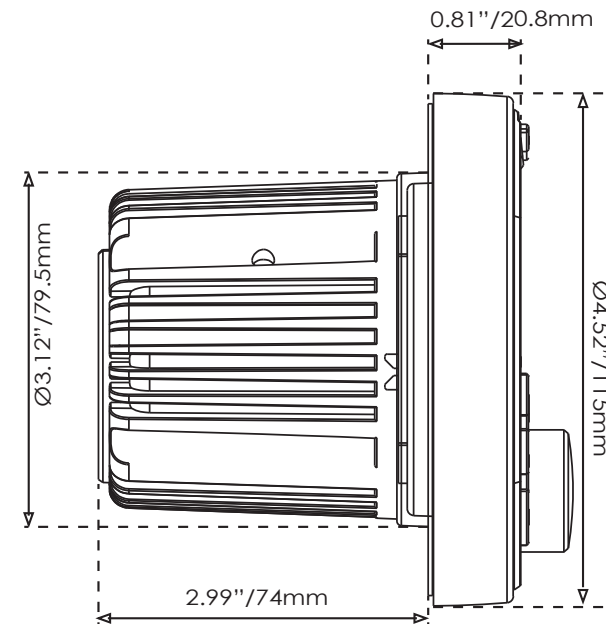
In AUX/BT source. Press and hold DISP button for 2 seconds to disconnect/re-connect the Bluetooth.



- |                     |                      |
|---------------------|----------------------|
| 1. POWER/SRC BUTTON | 6. BAND BUTTON       |
| 2. LCD DISPLAY      | 7. DISP BUTTON       |
| 3. PRESETS BUTTON   | 8. SEEK DOWN BUTTON  |
| 4. SEEK UP BUTTON   | 9. PLAY/PAUSE BUTTON |
| 5. VOL BUTTON       |                      |

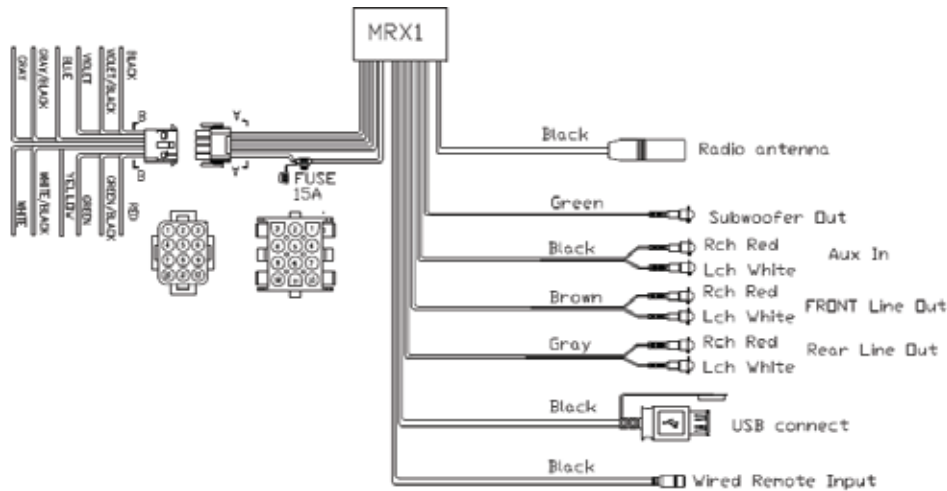
## MEASUREMENTS

MRX1 POWERSPORT & MARINE MULTIMEDIA RADIO



△▲ FOR ALL ELEMENTS ≡

## WIRING CONNECTION



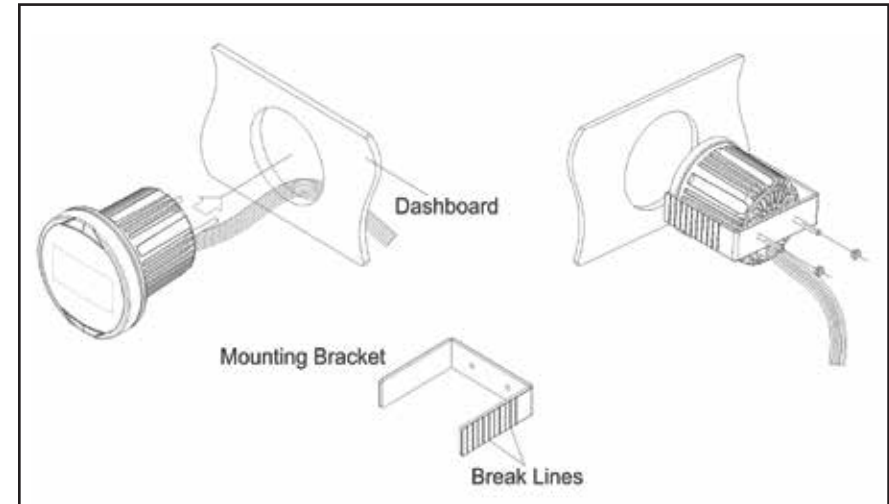
WIRE INSERTION VIEW.		SECTION A-A.	SECTION B-B
PIN NO.	WIRE COLOR.	WIRE SPEC	DESCRIPTION
1.	GREEN	20# AWG	LEFT REAR SPEAKER (+)
2.	GREEN/BLACK	20# AWG	LEFT REAR SPEAKER (-)
3.	RED	20# AWG	ACC (+12V)
4.	WHITE	20# AWG	LEFT FRONT SPEAKER (+)
5.	WHITE/BLACK	20# AWG	LEFT FRONT SPEAKER (-)
6.	YELLOW	16# AWG UL	BATTERY (+12V)
7.	GRAY	20# AWG	RIGHT FRONT SPEAKER (+)
8.	GRAY/BLACK	20# AWG	RIGHT FRONT SPEAKER (-)
8.	BLUE	20# AWG	POWER AMP REMOTE TUNER ON
10.	VIOLET	20# AWG	RIGHT REAR SPEAKER (+)
11.	VIOLET/BLACK	20# AWG	RIGHT REAR SPEAKER (-)
12.	BLACK	16# AWG UL	GROUND

1. This player can only be used by the 12V DC cathode grounding electrical system.
2. Do not connect the terminals of the battery until the player is absolutely with wellerection joint
3. Please make sure to connect the yellow wire to the positive of the battery (+).
4. When change the fuse. Please make sure the specifications are same.
5. Using good quality speaker with 4-8 ohm can result in the best effect of the equipment

## INSTALLATION



Once a suitable location has been determined, drill the hole and secure the stereo using the metal mounting bracket. If the bracket needs to be shortened, remove the appropriate number of breakaway segments using a pair of pliers



1. This player should be installed by professional technician.
2. Please read the instruction and operation of equipment carefully before installing.
3. Make sure to connect first the other wires before power connection.
4. To avoid short circuit. Please make sure all the exposed wire is insulated.
5. Please secure all the wires after installation.
6. Please make connection to the player accordingly to this instruction manual. Wrong connection may cause damage.
7. This player is only for 12V DC electric systems and please make sure your vehicle or boat belongs to this kind of cathode grounding electrical system.
8. Please connect the wires rightly. Wrong connection will cause malfunction or damage the electrical system.

## FEATURES

AM/FM Antenna	Yes
Audio input (L+R)	Yes
USB for music & charging	Yes, Charging 2A
Wired Remote input	Yes
<b>Outputs - Rear Chassis</b>	
Speaker Power Plug	Yes, Molex Plug 12 pin Water Resistant
Audio output Front (L+R)	Yes
Audio output Rear (L+R)	Yes
Subwoofer output RCA	Yes
Sub out low pass filter	Yes, 80/120/160Hz, Gain 0-12
<b>Media Playback</b>	
USB (64G memory)	Yes
Bluetooth v4.2	Yes
BT streaming ID3 Tag info	Yes
<b>Other Features</b>	
Operating Voltage	12V
Preamp Output	4V RMS differential
LCD Display type	Negative VA
Backlight	Yes
IR Remote	No
Low Battery Beep	Yes
EEPROM	Yes
Conformal Coating	yes
IP Rating	IPX 6
UV Resistance	Yes
Salt Spray Resistance	Yes

## TROUBLE SHOOTING



### GENERAL

Power Supply Requirements : DC 12 Volts, Negative Ground

Chassis Dimensions : 115(W) x 115 (D) x 74(H)

### Tone Controls

- Bass (at 100 Hz) : ±10 dB

- Treble (at 10 kHz) : ±10 dB

Maximum Output Power : 4 x 40 watts

RMS continuous power : 4 x 15 W @ 4 ohm

4 x 20 W @ 2 ohm

### Current Drain

: 10 Ampere (max.)

### RADIO

	FM	AM
Frequency Coverage	USA: 87.5 to 107.9 MHz	530 to 1710 kHz
	EUR: 87.5 to 108 MHz	522 to 1620 kHz

IF	10.7 MHz	450 KHz
----	----------	---------

Sensitivity	4μV(S/N=30dB)	36dBuV(S/N=20dB)
-------------	---------------	------------------

Stereo Separation	>25dB	/
-------------------	-------	---

Before going through the checklist, check wiring connection. If any of the problems persist after checklist has been made, consult your nearest service dealer.

Symptom	Cause	Solution
No Power	Thw car ignition switch is not on	If the Power supply is connected to the car accessory circuits, but the engine is not moving, awitch the ignition key to "ACC"
	The fuse is blown	Replace the fuse
No Sound	Volume is in minimum	Adjust volume to a desired level
	Wiring is not properly conneted	Check wiring connectionl
The operation keys do not work	The built-in microcomputer is not operating properly due to noise	Press the reset button
The radio does not work. The Redio Station automatic selection does not work.	The antenna cable is not connected	Insert the antenna cable Firmly
	The signal are too weal	Select station manually