



DS18

HYDRO

DS18

HYDRO

OWNER'S MANUAL

NXL10SUBLD

MARINE & MOTORSPORTS 10" SUBWOOFER BOX LOADED


#WELIKEITLOUD



FOR MORE INFORMATION
PLEASE VISIT
WWW.DS18.COM

▲ FOR ALL
ELEMENTS




#WELIKEITLOUD



NXL10SUBLD

MARINE & MOTORSPORTS 10" SUBWOOFER BOX LOADED

FEATURE

10" Subwoofer Box Loaded for Marine, Jeeps & Motorsports
Continuous Power Handling: 350 Watts RMS
Peak Music Power: 700 Watts MAX
Frequency Response: 35Hz – 1.2KHz +/- 3dB
Sensitivity: 87dB 1W/1M
Nominal Impedance: 4 OHMS
10" Passive Radiation For Bass Boost
IP65 Marine Grade Compliant Specifications, 100% UV Stable
PE Plastic Box Waterproof
Integrated RGB LED Lighting
High Temp injection Molded Composite PC Basket
Injection Molded, UV Compliant, Polypropylene Cone, Butyl Surround
RF Remote LED Controller or WiFi Controller and BT App (LED-BTC)
for Multi-Function RGB LED Lighting (Sold Separately)
High Temp Injection Molded Composite Grilles Black Matte Painting (NXL10SUBLD-BK) /
White UV Coating (NXL10SUBLD-WH) with 316 Metal Mesh
Motor Structure Use Y35 Ferrite Magnet
Over-All Depth: 13.65"/347mm
Over-All Width: 14.17"/360mm
Over-All Height: 12.6"/320mm

PACKING INCLUDE

1 x 10" Subwoofer Box For Marine Motorsports
4 x M5.2 Phillips Inner Hex Head 304 Stainless Screw
1 x 4MM Hex Tool
1 x Owner's Manual

WARNING

1. Be sure to carefully read and understand the instructions before attempting to install NXL10SUBLD Subwoofer Box.
2. For safety, disconnect the negative battery terminal from the battery prior to beginning the installation.
3. Use high quality connectors for a reliable installation and to minimize signal or power loss.
4. **Think before you drill!** Be careful not to cut or drill gas tanks, fuel lines, brake or hydraulic lines, vacuum lines or electrical wiring when working on any vehicle. If installing in a boat, take care not to cut or drill through the mail hull.
5. Never run wires underneath the vehicle. Running the wire inside the vehicle or hull area provides the best protection.
6. Avoid running wires over or through sharp edges. Use rubber or plastic grommets to protect any wires routed through metal - especially the firewall.

MOUNTING

1. Determine where the Subwoofer Box will be mounted. Ensure an area large enough for the Box to mount evenly. Only mount to flat surface.
2. Mark the locations for the mounting screws. Drill the hole with a 13/64 bit.
3. Feed the speaker wire through the cutout and connect to the speaker terminals. Be sure to observe proper polarity when connecting the wires. The speaker's positive terminal is indicated with a "+".
4. Fit the Subwoofer Box and mount into place using four (4) screw supplied.
5. Tighten the screws until the Box is snug in place.
6. **LED CONNECTION** - There are two options to choose from:
 - 6.1- Connect RGB Wires to RF RGB LED Controller or WIFI RGB LED Controller (optional).
 - 6.2 - Connect to battery (DC12V), Speaker RGB LED fast Terminal "V+" connected to Battery Positive

1. Green Color: "G" Fast Terminal Connect to Battery Negative
2. Red Color: "R" Fast Terminal Connect to Battery Negative
3. Blue Color: "B" Fast Terminal Connect to Battery Negative
4. Purple Color: "R" and "B" Fast Terminal Connect to Battery Negative
5. Yellow Color: "R" and "G" Fast Terminal Connect to Battery Negative
6. Cyan Color: "B" and "G" Fast Terminal Connect to Battery Negative
7. White Color: "R", "B" and "G" Fast Terminal Connect to Battery Negative

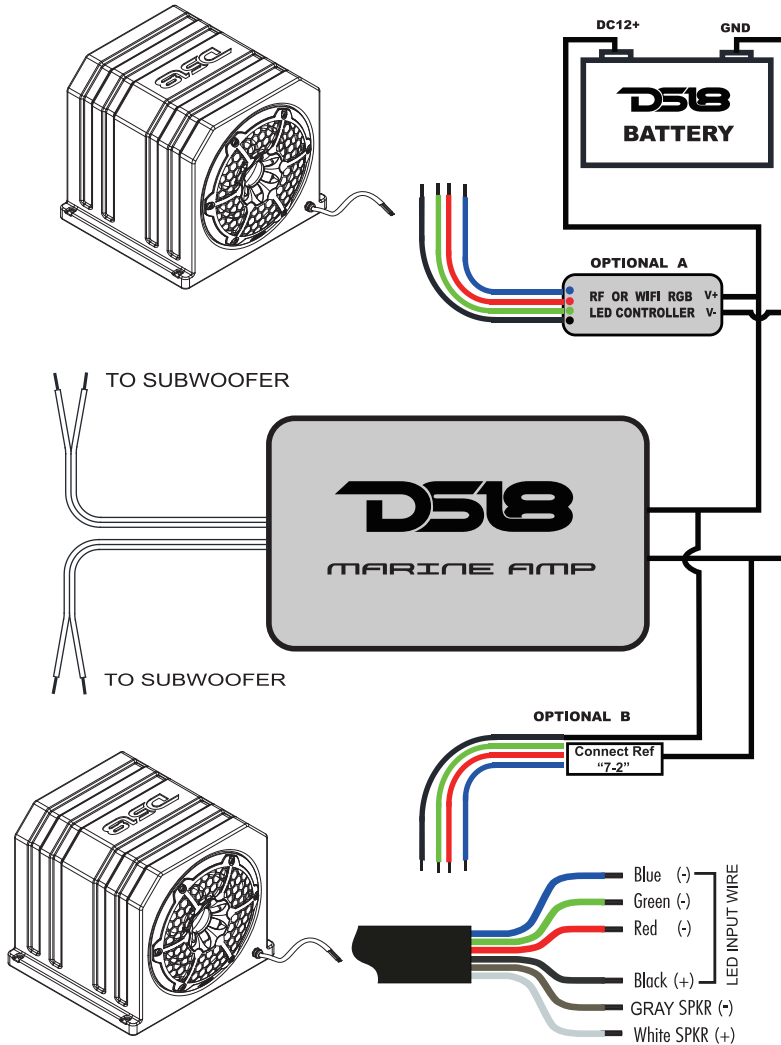


NXL10SUBLD

SPECIFICATIONS

MARINE & MOTORSPORTS 10" SUBWOOFER BOX LOADED

INSTALLATION



FOR ALL ELEMENTS 10" SUBWOOFER BOX LOADED

NXL10SUBLD

MODEL	NXL10SUBLD
Nominal Diameter	10" (254 mm)
Type	Subwoofer
Nominal Impedance (ohms)	4Ω
Frequency Response	35Hz - 1.2KHz
Voice Coil Diameter	2" (50.0 mm)
Power Handling	350 Watts RMS / 700 Watts Max
Sensitivity (1w/1m)	87dB

We Reserve The Right To Change Products And Specifications At Any Time Without Notice. Images May Or May Not Include Optional Equipment



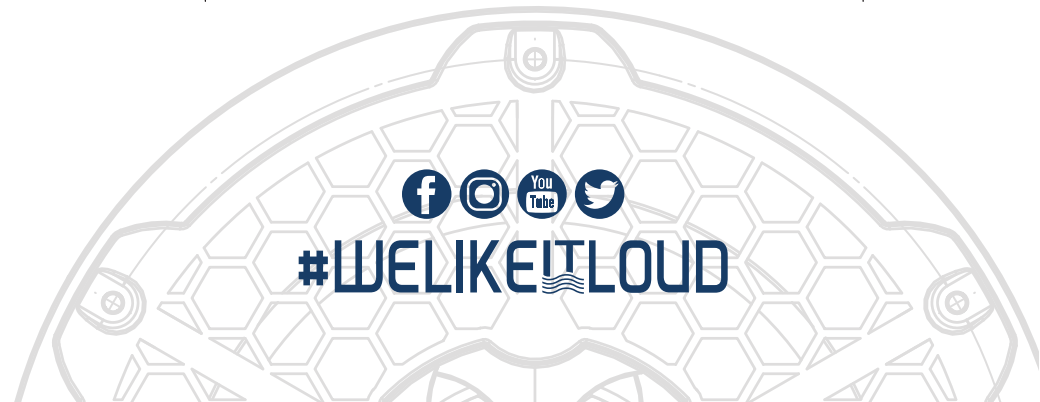
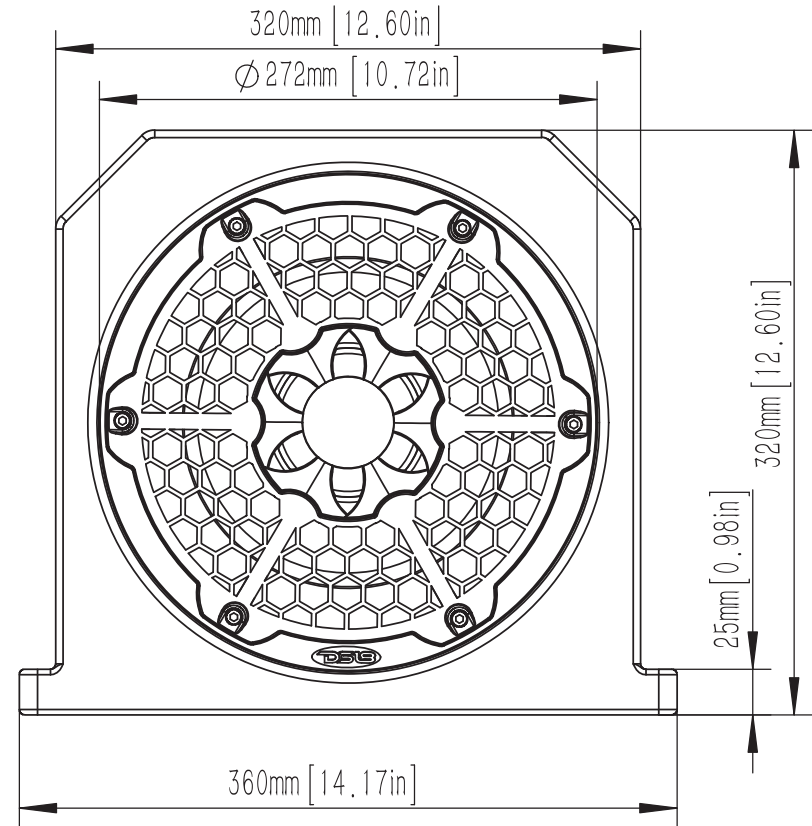
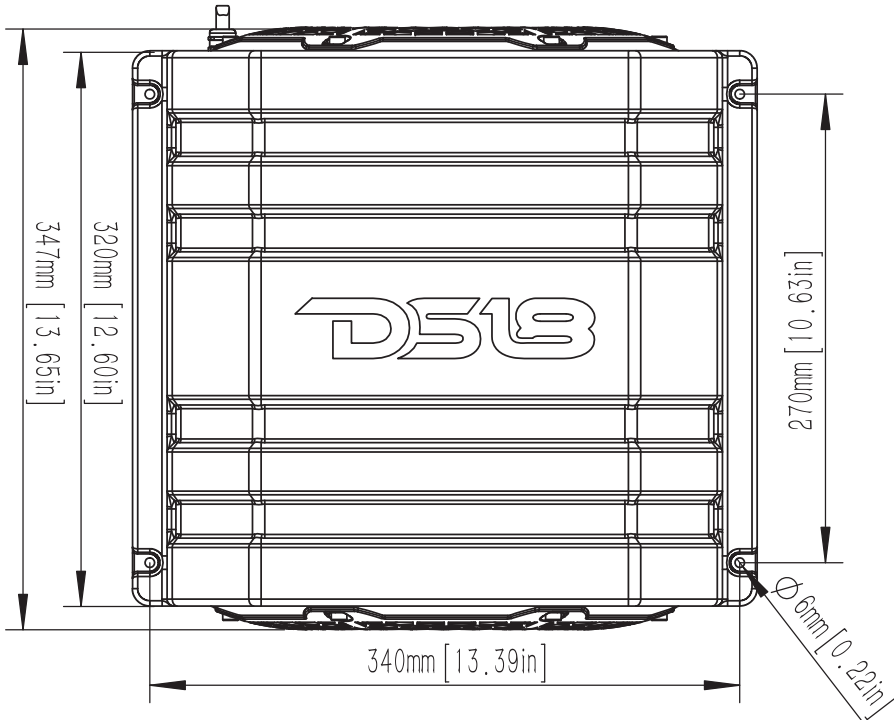


AXL10SUBLD



MARINE & MOTORSPORTS 10" SUBWOOFER BOX LOADED

DIMENSIONS



#WELIKEITLOUD