

DS18[®]

HYDRO

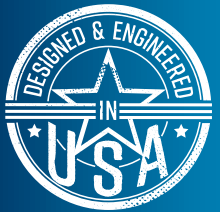


NXL-6M

2-WAY MARINE SPEAKER SYSTEM
OWNER'S MANUAL



#WELIKEITLOUD



FOR MORE INFORMATION
PLEASE VISIT
WWW.DS18.COM

▲▲ FOR ALL
ELEMENTS





FEATURES

Pair

6.5 " 2-Way Speaker

IP65 Marine Grade Compliant 100% UV Stable

Continuous Power Handling : 100W RMS Each

Peak Music Power Handling : 300W MAX Each

Nominal Impedance: 4 Ohms

Sensitivity: 91dB

Frequency Response: 45Hz-23KHz

Components

Coax Separate with Floating Design

Y35 Ferrite Main Magnet and Reverse N40H (Neodymium) Magnet

25mm Titanium Dome PEI Surround Tweeter

Copper ring utilized in motor structure for far field performance

Integrated LED-RGB Lighting

Materials

Waterproof Compress Paper Cone with Carbon fiber

Soft PC Damping Glued Surround

PC Injection Molded Composite Basket with UV Coating

316 Stainless Metal Mesh

BT Control Module & App (LED-BTC) For Multi-Function for RGB LED Lighting (sold separately)

PACKING INCLUDE

2 - 6.5" 2-Way Full Range Speaker For All Elements Marine (1 per box)

2 x 1.5M #18 Speaker Input Wired With Fast Terminal

2 x 1.5M #22 RGB Power Input Wired With Fast Terminal

12xM4 Phillips Inner Hex Head 304 Stainless Steel (4mm Hex Tool)

WARNINGS

1. Be Sure to carefully read and understand the instructions before attempting to install these speakers.
2. For safety, disconnect the negative battery terminal from the battery prior to beginning the installation.
3. For easier assembly, we suggest you run all wires prior to mounting speaker in place
4. Use high quality connectors for a reliable installation and to minimize signal or power loss
5. Think before you drill! Be careful not to cut or drill gas tanks, fuel lines, brake or hydraulic lines, vacuum lines or electrical wiring when working on any vehicle. If installing in a boat, take care not to cut or drill through the mail hull.
6. Never run wires underneath the vehicle. Running the wires inside the vehicle or hull area provides the best protection.
7. Avoid running wires over or through sharp edges. Use rubber or plastic grommets to protect any wires routed through metal - especially the firewall.

MOUNTING

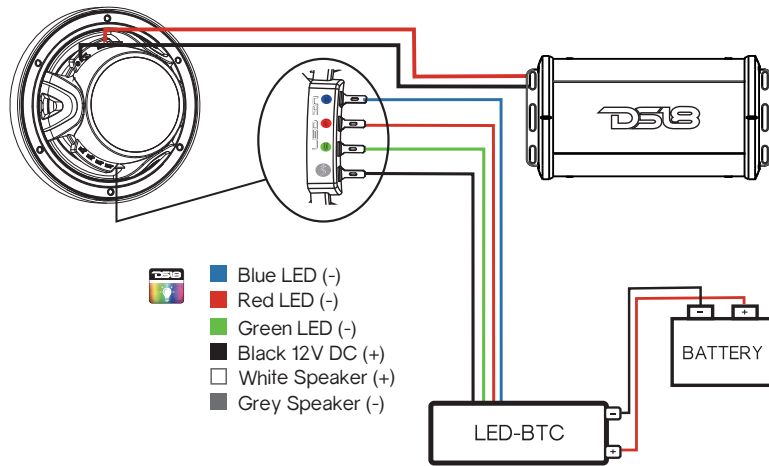
1. Determine where the speakers will be mounted. Ensure an area large enough for the speaker to mount evenly. Be sure that the mounting location is deep enough for the speaker to fit; only mount to a flat surface. Use extra caution when mounting on panels with urethane foam.
2. Refer to the specification chart to determine the proper diameter hole to cut for the speaker
3. Mark the locations for the mounting screws. Drill the holes with a 0.75" bit.
4. Feed the speaker wires through the cutout and connect to the speaker terminals. Be sure to observe proper polarity when connecting the wires. The speaker's positive terminal is indicated with a "+".
5. Fit the speaker and mount into place using six (6) screws.
6. Tighten the screws until the speaker is snug in place
7. **LED CONNECTIONS** - There are two options to choose from:





INSTALLATION

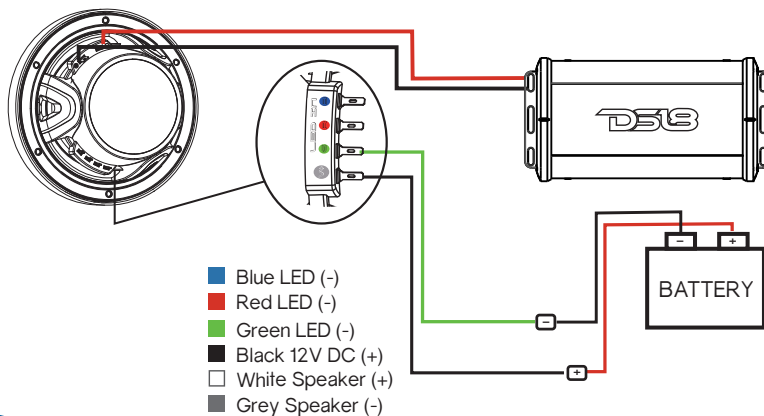
▶ If you have an LED Control Module (LED-BTC), Connect as shown in the Following diagram:



▶ To connect without LED Control Module (LED-BTC), Connect as Shown in the Following Diagram;

Black wire "BK" Connected to battery Positive(+)12V then choose one color:
 for Green Color Light "G"Connected to Battery Negative(-)
 for Red Color Light "R"Connected to Battery Negative(-)
 for Blue Color Light "B"Connected to Battery Negative(-)
 for Purple Color Light "R"and"B"Connected to Battery Negative(-)
 for Yellow Color Light "R"and"G"Connected to Battery Negative(-)
 for Cyan Color Light "B"and"G"Connected to Battery Negative(-)
 for White Color Light "R", "B" and "G" three wires Connected to Battery Negative(-)

Example of Green Light Connection:



SPECIFICATIONS

Model	NXL-6M
Nominal Diameter	6.5"/165mm
Type	2-WAY
Nominal Impedance (ohms)	4 ohm
Frequency Response (Hz)	45-23KHz
Voice Coil Diameter	1.2"/30.5mm
RMS Power	100W
MAX Power	300W
Fs - Free Air Resonance (Hz)	65Hz
Qts	0.622
Vas - Cu. Ft (Liter)	0.3cu.ft/8.5L
Sensitivity (1w/1m)	91dB
Xmax	0.16"/4mm
Mounting Hole	5.31"/135mm
Mounting Depth	2.5"/63.5mm

FOR ALL ELEMENTS

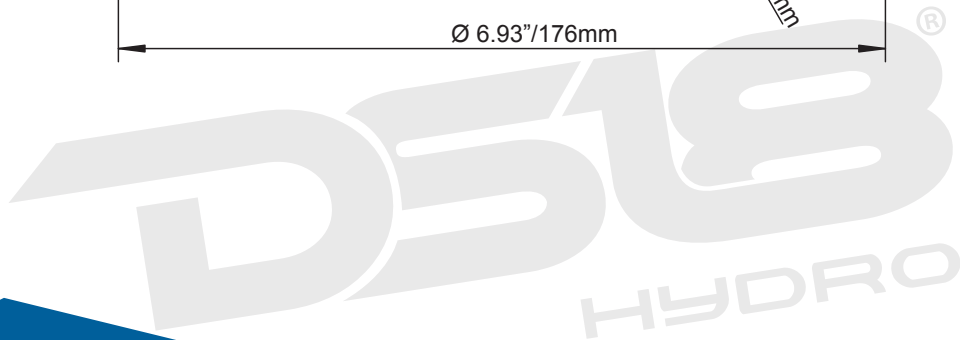
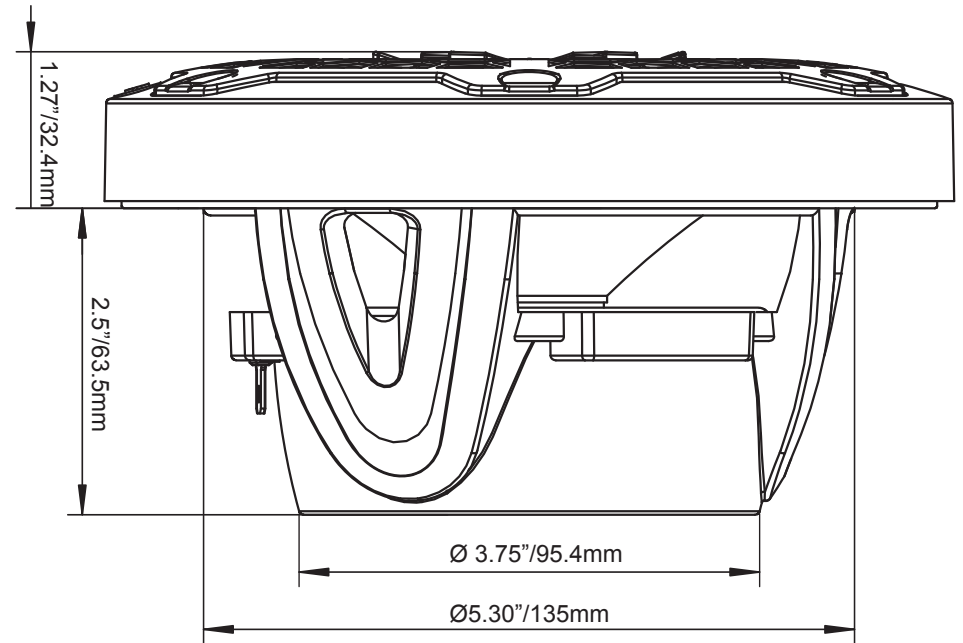
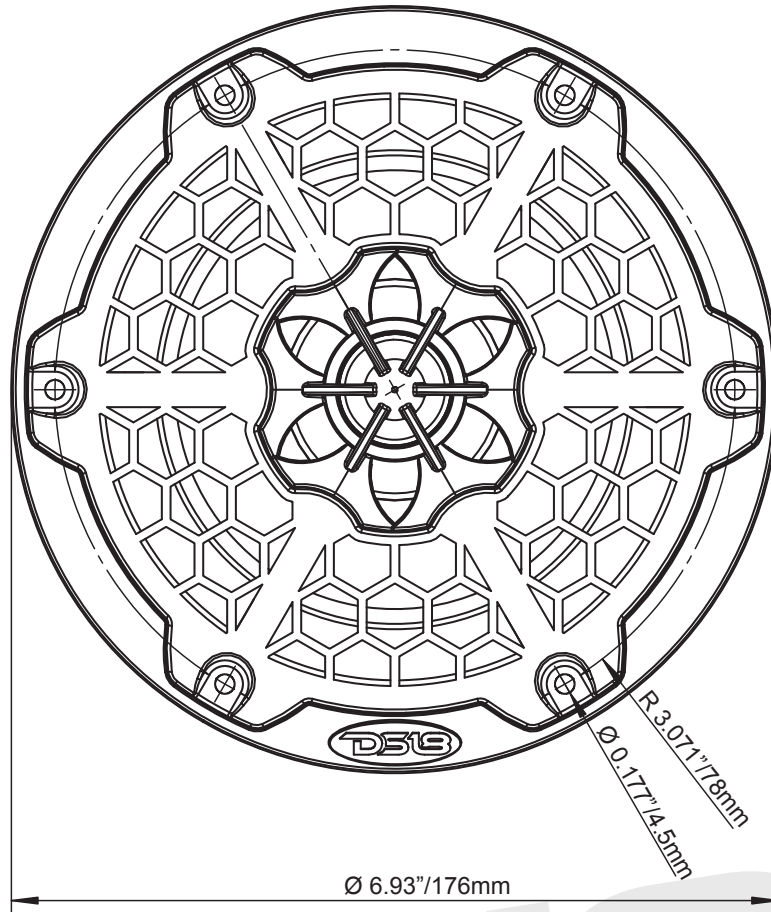
We Reserve The Right To Change Products And Specificatins At Any Time Without Notice. Images May Or May Not Include Optional Equipment





NXL-6M 2-WAY SPEAKER

DIMENSIONS



#WELIKEITLOUD