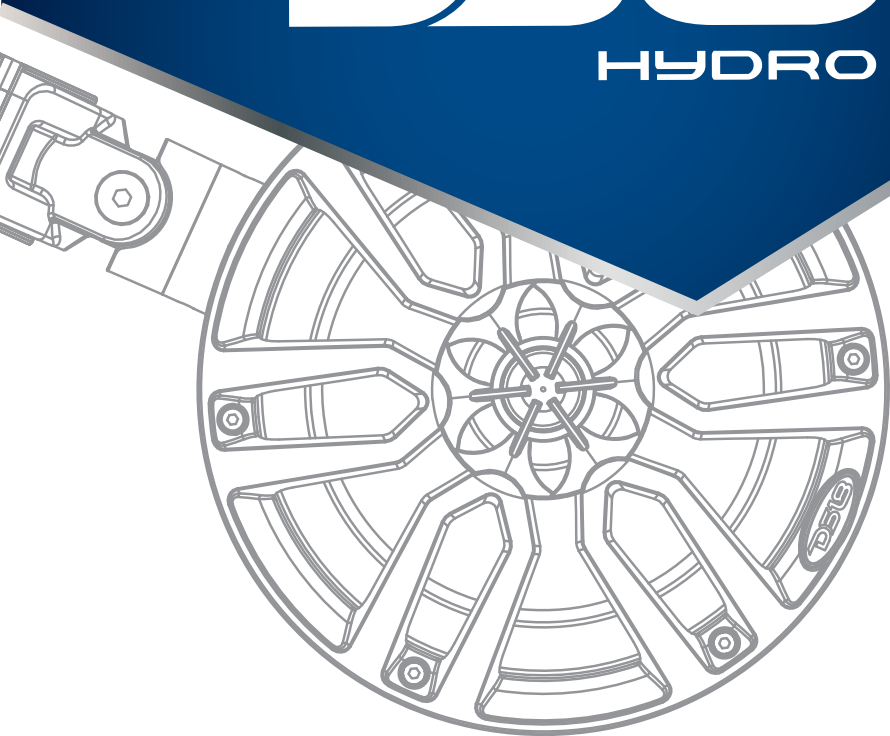


D518

HYDRO



MXL6TPBK
MXL8TPBK



△▲ FOR ALL
ELEMENTS ≡

#WELIKEITLOUD    

OWNER'S MANUAL

FEATURES

MODEL	DESCRIPTION	RMS / PEAK POWER
NXL6TPBK	6.5" 2-WAY COMPONENT COAXIAL	100 / 300W
NXL8TPBK	8" 2-WAY COMPONENT COAXIAL	125W / 375W

Pair 2-Way Tower Speaker System for Marine, Jeeps & Powersports

Coax Separate Floating Design

1" Titanium Dome PEI Surround Tweeter Die-Cast Solid Aluminium

Die-Cast Solid Aluminum 360 Degree Rotation Mounting Clamps,

Full Rounded, Buried Wire Or Open Wire Mounting Optional,

Included (1.5", 1.75", 2") NBR Pad

Sold Separately: (2.25", 2.5", 2.75", 3") NBR Pad

UV-Compliant Polyethylene Plastic 6-8mm Thick with Strong Black Sand

Texture Enclosure

Injection Grill With Black Matte Paint

IP65 Marine Grade Compliant Specifications, 100% UV Stable

Injection Molded, UV Compliant Polypropylene Cone

Magnet Type: Y35 Ferrite Main Magnet & Reverse Neodymium

6 Core Wires For Lighting And Speaker

Integrated RGB LED Speaker Lighting

Front Logo & Back Cover Is Rotatable (When Flat Mounting Can Adjust)

BT App (LED-BTC) for Multi-Function RGB LED Lighting (SOLD SEPARATELY)

SPECIFICATIONS



MODEL	NXL6TPBK	NXL8TPBK
Nominal Diameter	165mm / 6.5"	203mm / 8"
Type	2-Way	2-Way
Nominal Impedance (Ohms)	4Ω	4Ω
Frequency Response (Hz)	65-23kHz	55-23kHz
Voice Coil Diameter	30.5mm / 1.2"	30.5mm / 1.2"
Power Handling RMS/PEAK	100w / 300w	125w / 375w
Fs-Free Air Resonance (Hz)	65	50
Qts	0.622	0.532
Vas - cu.ft (Liter)	0.3 (8.5)	0.795 (22.5)
Sensitivity(1W/1M)	91dB	93dB
Xmax	4mm / 0.16"	4mm / 0.16"
Mounting Height	276mm / 10.87"	218.1mm / 12.52"
Mounting Depth	287.3mm / 11.312"	354mm / 13.93"
Mounting Diameter	176mm / 6.93"	218.2mm / 8.59"

We Reserve The Right To Change Products And Specifications At Any Time Without Notice. Images May Or May Not Include Optional Equipment

INITIAL SETUP

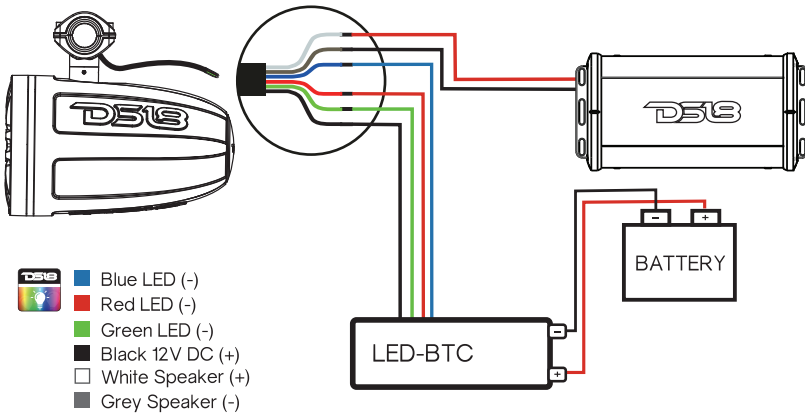
INSTALLATION CONSIDERATIONS:

1. Be sure to carefully read and understand the instructions before attempting to install these speakers.
2. For safety, disconnect the negative battery terminal from the battery prior to beginning the installation.
3. For easier assembly, we suggest you have all your tools handy-Drill, Allen set, Crimp, Soldering iron, wire strippers, heat-shrink, etc.
4. Use high quality "Water Proof" connectors for a reliable installation and to minimize signal or power loss.
5. Think before you drill!. Be careful not to cut or drill into gas tank, fuel lines, brake or hydraulic lines, vacuum lines or electrical wiring when working on any vehicle. If installation in a boat, take care not cut or drill through the main hull.
6. Never run wires near fuel lines or power (if possible). Running the wires inside the hull area provides the best protection.
7. Avoid running wires over or through sharp edges. Use rubber or plastic grommets to protect any wires routed through metal, especially the tower.
8. Make sure that the mounting clamp are tight before leaving the dock.
9. Decide early what type of LED lighting you want (if any) and wire accordingly (NOTE: if you want "Dancing Light" look to the WIFI or RF remote controlled LED light box. The easy way to have lighting... YOUR way!

PACKING INCLUDE

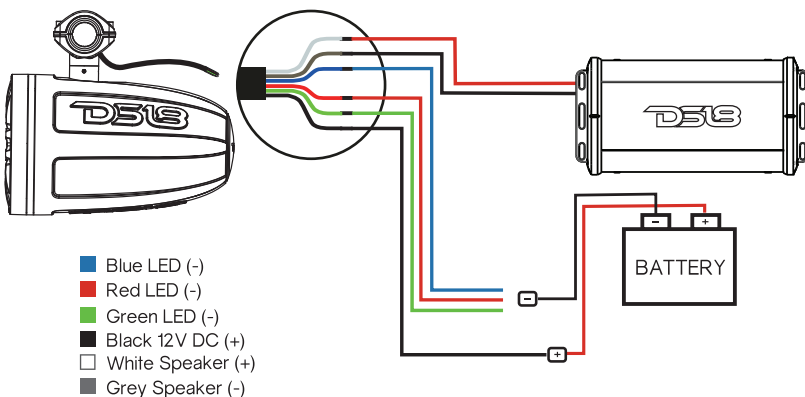
- One Pair Marine / UTV /ATV Grade Tower Speaker system
- One Pcs 6mm Hex Wrench Chromed
- One Pcs 5mm Hex Wrench Chromed
- One Pcs 2.5mm Hex Wrench Chromed
- One Pair 1.75" NBR Pad For 1.75" Tube
- One Pair 1.5" NBR Pad For 1.5" Tube

▶ If you have an LED Control Module (LED-BTC), Connect as Shown in the Following Diagram:



▶ To connect without LED Control Module (LED-BTC), Connect as Shown in the Following Diagram:

- Black wire "BK" Connected to Battery Positive (+) 12V
- White Color Light "R"; "B" and "G" Connected to Battery Negative (-)
- Green Color Light "G" Connected to Battery Negative (-)
- Red Color Light "R" Connected to Battery Negative(-)
- Blue Color Light "B" Connected to Battery Negative (-)
- Purple Color Light "R" and "B" Connected to Battery Negative(-)
- Yellow Color Light "R" and "G" Connected to Battery Negative (-)
- Cyan Color Light "B" and "G" Connected to Battery Negative (-)



INSTALLATION

BEGINNING MOUNTING

Step 1: Remove tower speakers from the packaging and ALL hardware.

Step 2: Find a GOOD location that allows for easy wiring of the speaker (and LED lights) - PLUS does NOT impair your movement around the location.

Step 3: Using the supplied 2.5mm hex wrench spin out the 3-M5 no head screw about 5mm, that hold clamp and Rotary base.

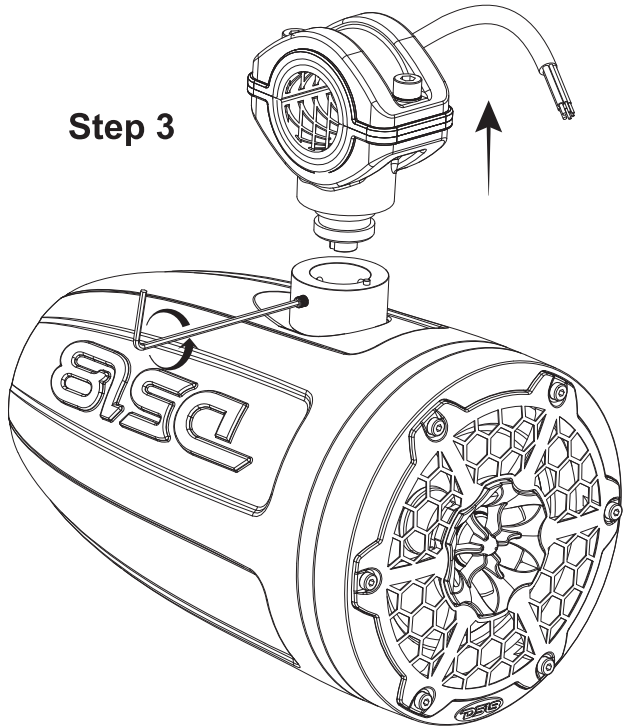
Step 4: Using the supplied 6mm hex wrench remove the 2-M8 bolts that hold the clamp tops onto the clamp bottom of the separate clamp and wire.

Step 5: Drill $\varnothing 15 - \varnothing 20$ mm hole on mounting tube bottom align the clamp wire out hole.

Step 6: Connect the speaker wire AMP out and LED controller, Insulated lock the clamp to tube.

DS18
HYDRO

Step 3

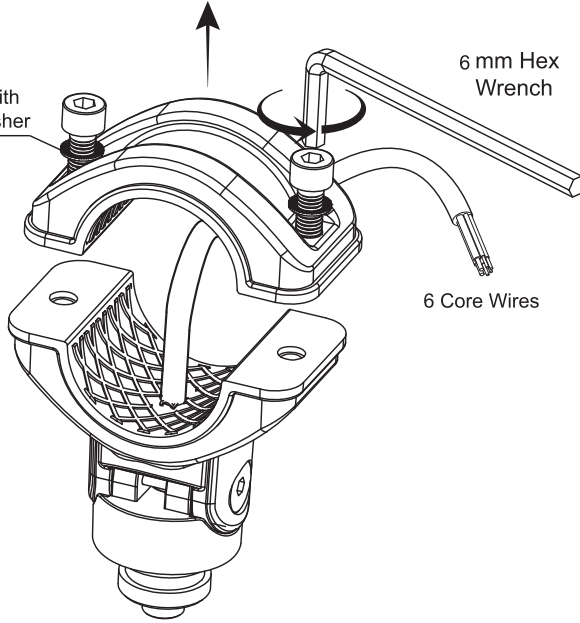


DXL6TPBK

DXL8TPBK

Step 4

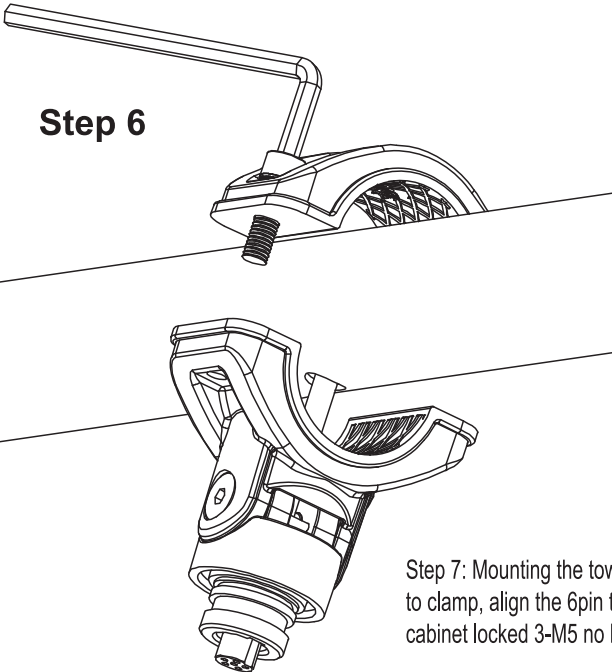
304 M8 Bolts With
Spring Stop Washer



6 mm Hex
Wrench

6 Core Wires

Step 6



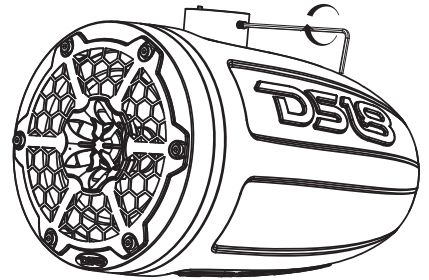
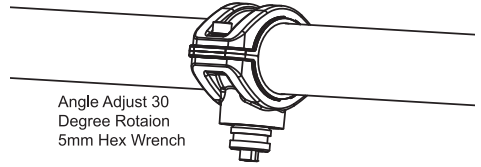
Step 7: Mounting the tower speaker system to clamp, align the 6pin terminal push up cabinet locked 3-M5 no head screw tied.

INSTALLATION

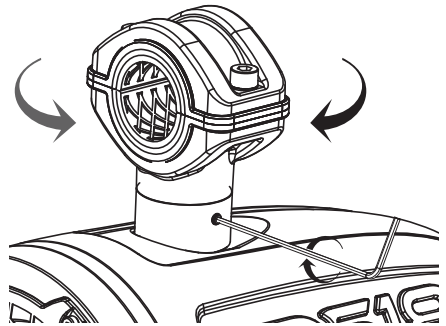
Step 8: If need be, rotate the speakers for best dispersion. This is easily done by locating the 2.5mm hex wrench set screw on the side of the mounting clamp. Once located release it using the included 2.5mm hex wrench so that you may rotate the speaker / enclosure to the desired angle. Once there... lock the Allen down.

Step 9: During the mounting process you should have located the spot to drill your tower bar for the 6 conductor wire (Speaker and RGB lightning wiring) insertion. Or NOT (see Tie-wrap solution below)

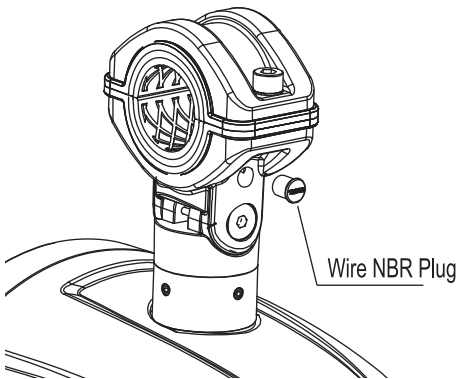
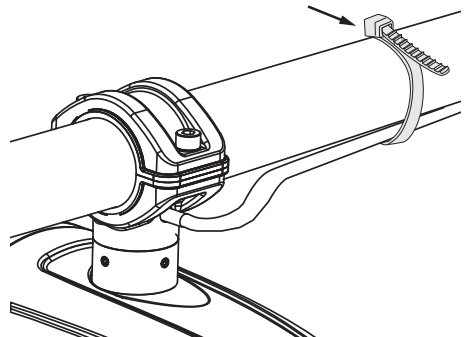
Step 10: Remove Wire NBR Plug and Slide the wire threw the hole Snake the wire down to the bottom of the tower tube in a location that the wires can be attached to the audio (And lighting) system. Solder or butt connect the speaker wire coming from the tower to the speaker wire to the system. Then heat-shrink it for added protection from water / moisture.



CLAMP 360 DEGREE ROTATION

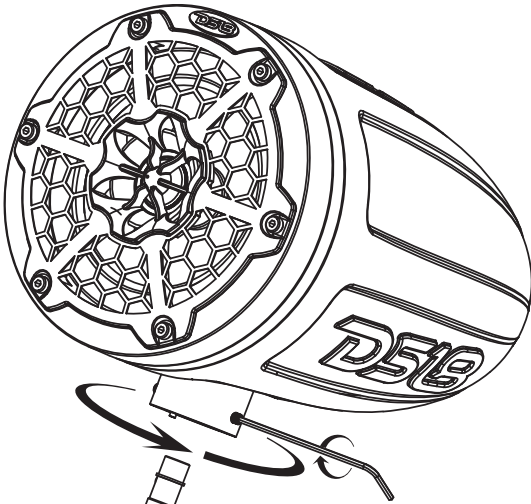


Tie-Wrap across Tower Tube



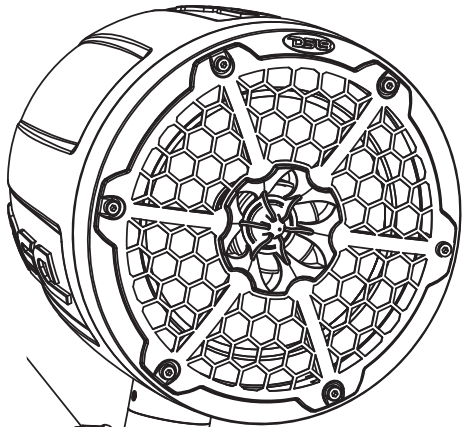
Step11: When you want to install by flat mounting, remove the clamp and take out the 6 core with terminal through it into flat mounting bracket, then assemble it , see depiction below.

FRONT LOGO CAN ROTATION

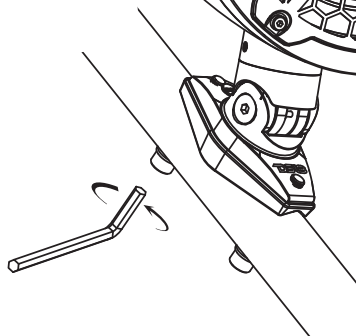


30 Degree
Rotation

TUBE MOUNTING

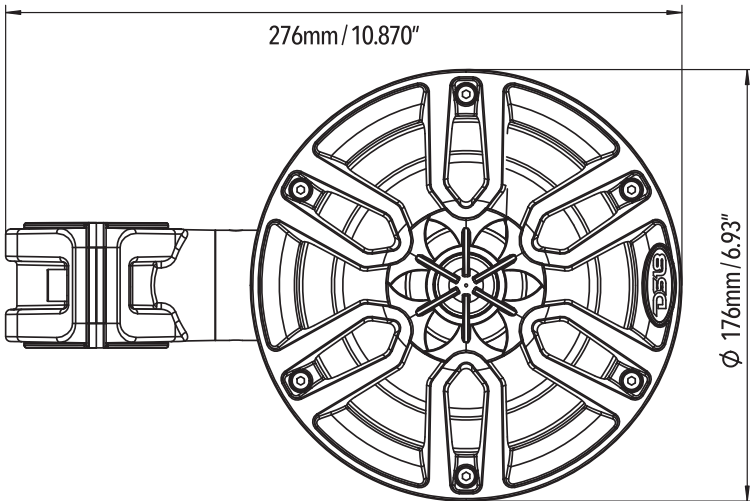
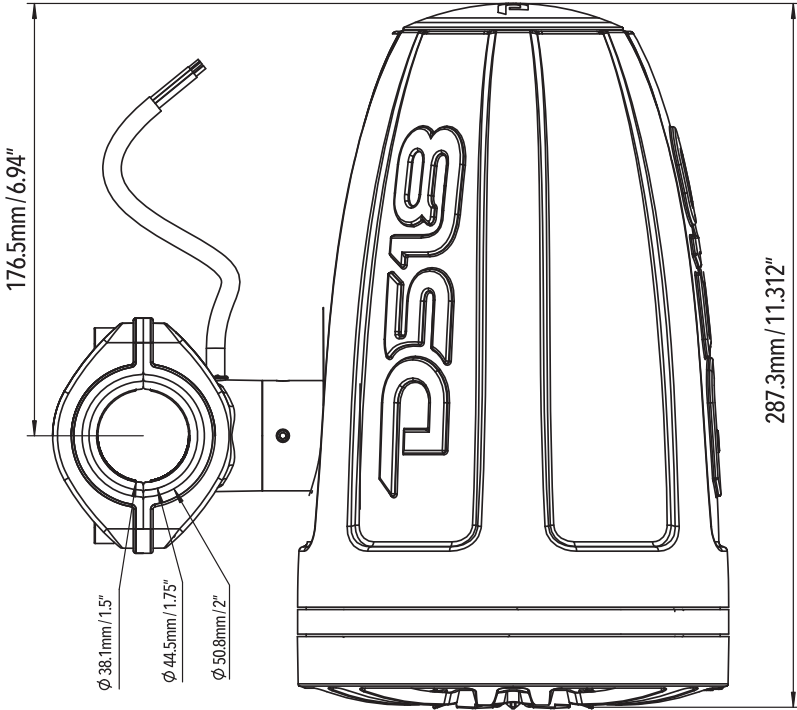


FLAT MOUNTING

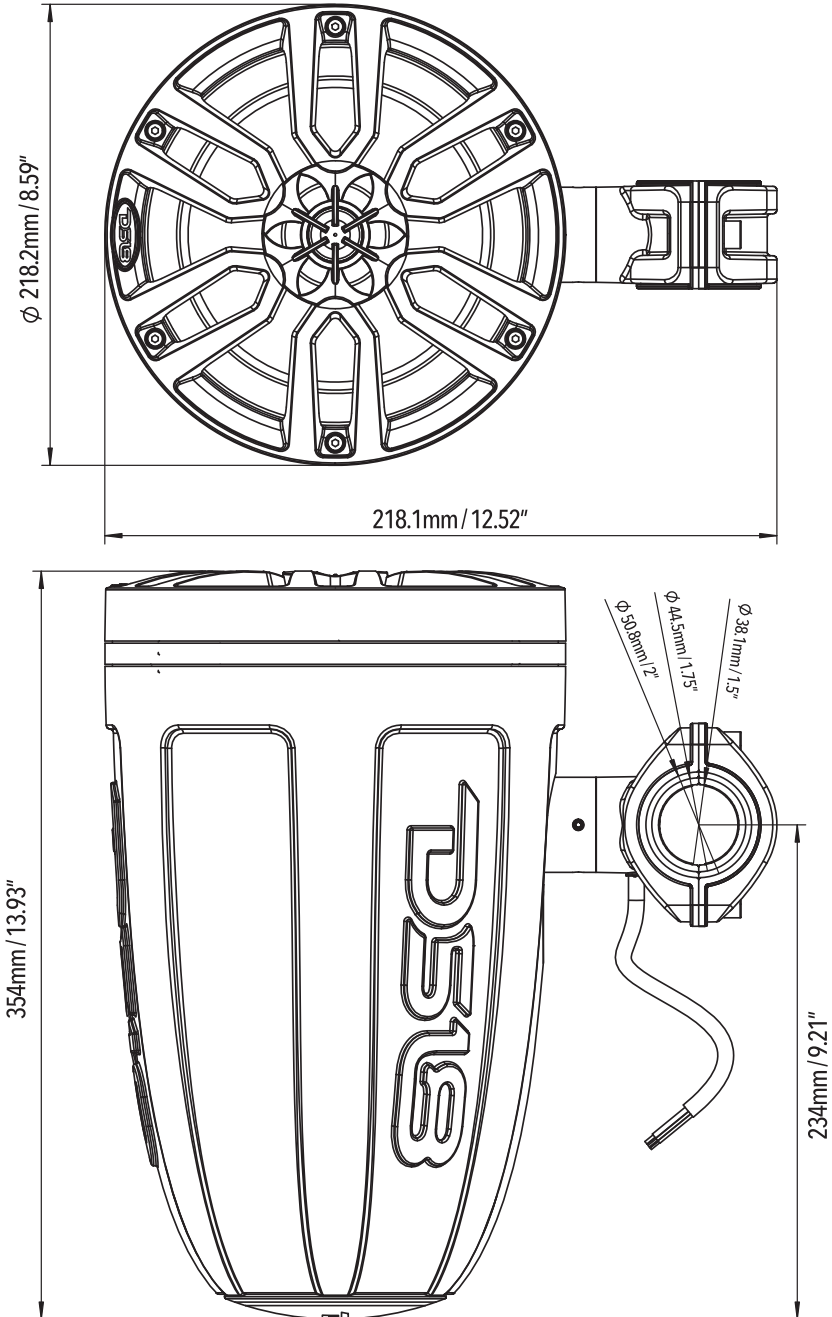


Dimensions

AXL6TPBK

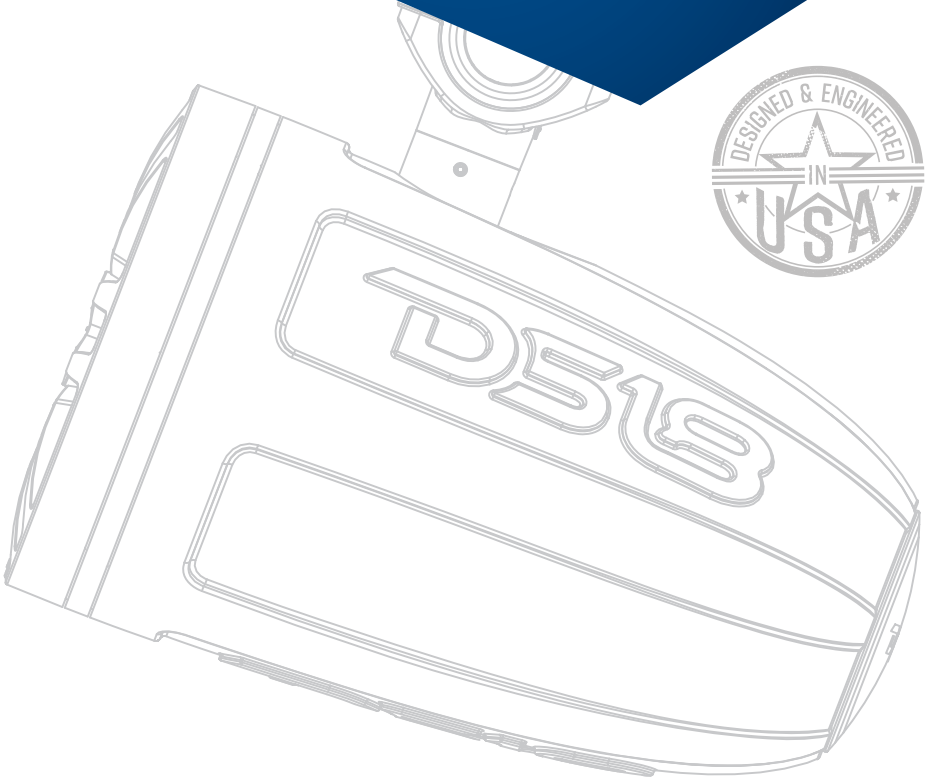


АХЛӨТРӨК



DS18

HYDRO



#WELIKEITLOUD

DS18.COM