

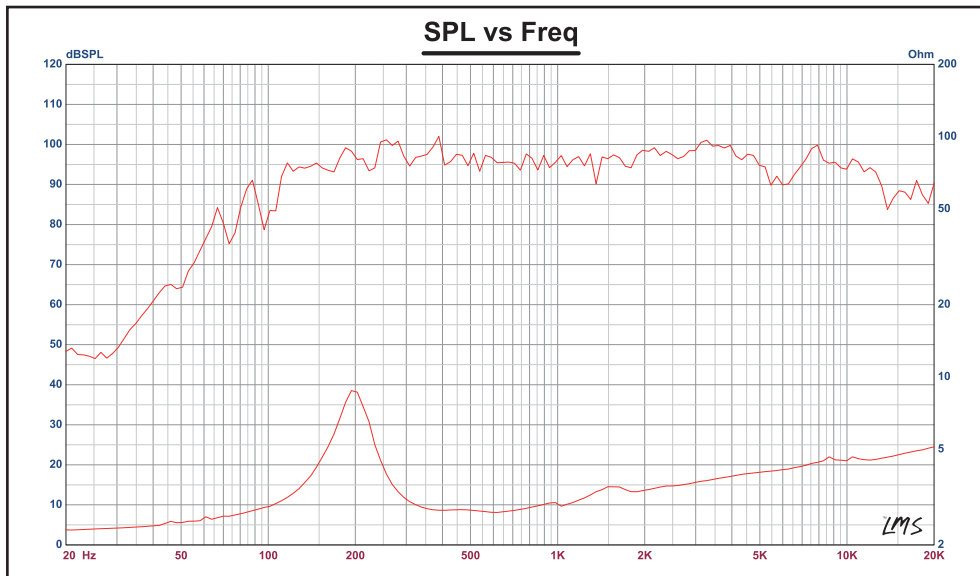


PRO-SM6.2

6.5" SLIM MOTORCYCLE MIDRANGE SPEAKER

- MAX Power Handling: 400 Watts
- RMS Power Handling: 200 Watts
- Frequency Response: 80Hz-14KHz
- Nominal Impedance: 2 ohms
- Mounting Depth: 55.5 mm (2.19")
- Sensitivity (1W/1M): 95dB
- Magnet Material: Ferrite
- Magnet Weight: 20 oz
- Voice Coil Material: Kapton
- Voice Coil Diameter: 1.5" (38.1 mm)

#WeLikeItLoud



6.5" SLIM MOTORCYCLE MIDRANGE SPEAKER

PRO-SM6.2



400W MAX

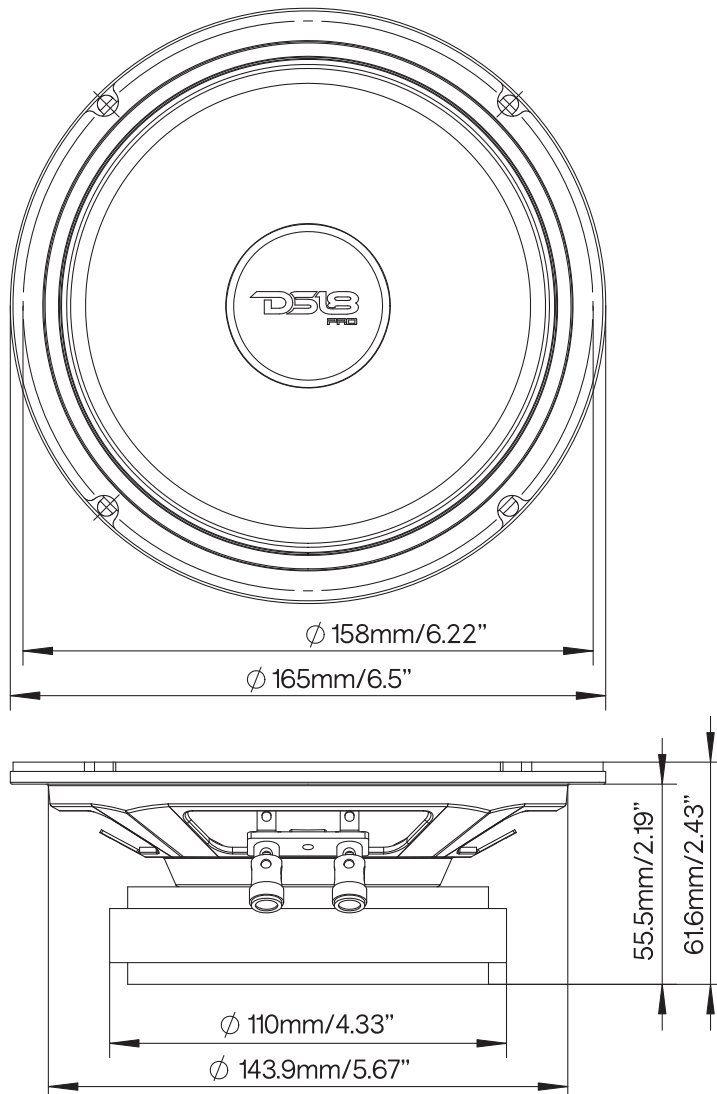
200W RMS

2 OHMS

OWNER'S MANUAL

PRO-SM6.2

6.5" SLIM MOTORCYCLE
MIDRANGE SPEAKER



Data Sheet

Specifications:

Nominal Diameter	6.5" (165.1 mm)
Nominal Impedance	2 ohms
RMS Power Handling	200 WATTS
Maximum Power Handling	400 WATTS
Sensitivity (1w/1m)	95dB
Frequency Response	80Hz-14KHz
Recommended Hi Pass Crossover	180 Hz

Midrange:

Voice Coil Diameter	1.5" (38.1 mm)
Voice Coil Former Material	Kapton
Winding Material	CCAW
Basket Material	Steel
Magnet Weight	20 oz

Thiele & Small Parameters:

Equivalent Volume	Vas	1.817 LTR
Excursion	Xmax	8 mm
Free Air Resonance	Fs	200 Hz
Mechanical Factor	Qms	5.726
Electrical Factor	Qes	0.871
Total Factor	Qts	0.751
Dc Resistance	Re	2 ohms

Measurements:

Overall Diameter	165 mm (6.5")
Front Mount Baffle Cutout	144 mm (5.67")
Mounting Depth	55.5 mm (2.19")
Overall Depth	61.6 mm (2.43")

PRO-SM6.2
6.5" SLIM MOTORCYCLE MIDRANGE SPEAKER

WeLikeItLoud

