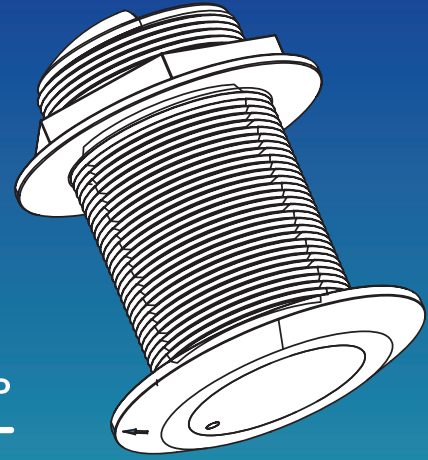


Medium Frequency CHIRP Transducer

BT70MA600 / ST70MA600

80-130 kHz 600 Watts



Bottom detail in shallow and medium depths down to 274 m (900 ft)

A low-profile thru hull CHIRP transducer, that matches vessels deadrise to specific angle.

This series of transducers is designed to **minimize drag** and to **perform at high speeds**.



Available in bronze*
and stainless steel.

*Warning: do not install bronze housing into metal hulls.

TRANSDUCER

- CHIRP

FREQUENCY

- 80 - 130 kHz
Medium Frequency

BEAMWIDTH

- 24° to 17°

POWER

- 600 W

MOUNT

- Thru hull

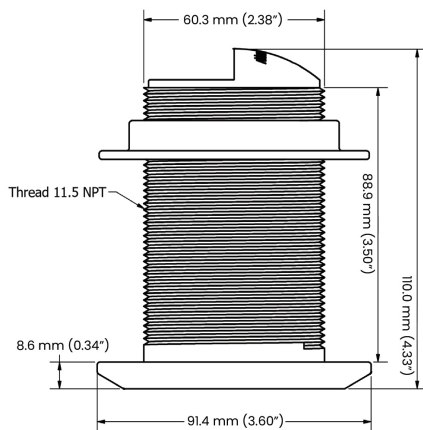
MATERIAL

- Bronze or stainless steel

Medium Frequency CHIRP Transducer

BT70MA600 / ST70MA600

TECHNICAL SPECIFICATIONS



Function	Depth and Temperature
Frequency	CHIRP 80 - 130 kHz
Mount type	Thru hull
Tilt/deadrise options	18° tilted version: for 16° to 24° hull deadrise 12° tilted version: for 8° to 15° hull deadrise 0° tilted version: for 0° to 7° hull deadrise
Material	Bronze (BT70MA600) Stainless steel (ST70MA600)
RMS Power	600 W
Beamwidth	24° to 17° @ 3db
Depth	Max 274 m (900 ft)
Temp. sensor	NTC
Acoustic window	Urethane
Weight	1540 g (54 oz)
Cable length	8 m (27 ft)
Hole diameter	60.3 mm (2.38")

L42M6ECAE010

Customization available on request.

Designed in USA, Made in ITALY

Echonautics is the result of a joint venture between an American company specialized in transducers design and an Italian manufacturer of marine electronics since 1985, born to offer a high-quality range of transducers ready to deliver to boat manufacturers worldwide.

SALES NORTH AMERICA

AvMap Satellite Navigation Inc. (TWS group)

25 Enterprise Zone Drive,
Riverhead, NY 11901, USA
+1 800 363 2627
orders@avmap.us

SALES EMEA, APAC

AvMap s.r.l. (TWS group)

Viale Zaccagna 6,
54033 Carrara (MS), ITALY
+ 39 0585 772305
orders@avmap.it