

## THRU-HULL MOUNT • Depth

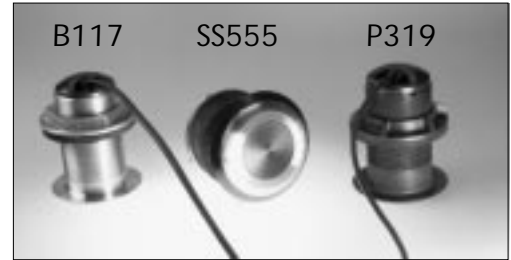
**P319** Low Profile

**B117** Low Profile

**SS555** Low Profile

50/200 kHz Dual Frequency

Accommodate 50/200 kHz ceramic  
Quick wetting acoustic window  
Stainless steel housing is available



### Specifications

- Accommodates 44 mm (1.7") diameter dual frequency 50/200 kHz piezoceramic
- 50/200 kHz frequency provides both good resolution and deep water performance
- The SS555 flanged housing is machined from solid 316 alloy and is extremely robust
- Good high speed performance when mounted well aft
- Minimal drag with only 5 mm ( $\frac{3}{16}$ ") extending outside hull
- Shielded piezoceramic element for noise free echosounder display
- SS555 includes an isolation kit to facilitate installation on aluminum or steel hulls.
- Rubber washer allows tightening of hull nut to irregular surfaces.
- Designed to meet CE requirements
- Installation requires 51 mm (2") diameter hole
- Waterproof molded connector
- Standard cable length: 9 m (30')

#### Weight:

P319 0.6 kg (1.3 lb.)

B117 0.9 kg (2 lb.)

SS555 1.4 kg (3 lb.)

#### Accommodates hull thickness:

P319 Min. 5 mm ( $\frac{5}{8}$ ") Max. 70 mm ( $2\frac{3}{4}$ ")

B117 Min. 5 mm ( $\frac{5}{8}$ ") Max. 70 mm ( $2\frac{3}{4}$ ")

SS555 Min. 3 mm ( $\frac{3}{16}$ ") Max. 55 mm ( $2\frac{3}{16}$ ")

### Applications

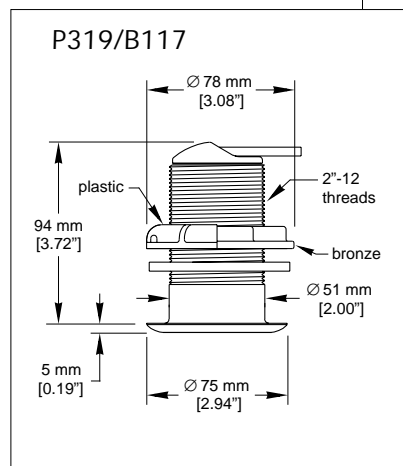
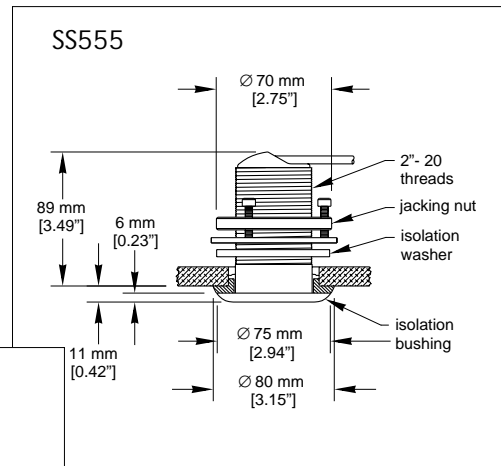
- Fishfinding
- Shallow and deep water bottom detection
- Recommended for hull deadrise angles up to 20°
- B117 for fiberglass wood hulls only
- P319 not for use in wood hulls
- SS555 compatible with any hull material

### Notes

- Use with matching ST650 for echosounders requiring depth, speed and temperature inputs

### Replacement Parts and Accessories

- Plastic hull nut #04-004
- Bronze hull nut #02-030
- Stainless hull nut #02-040-01



### PERFORMANCE DATA

Frequency <sup>1</sup> – Airmar Piezoceramic Designator <sup>2</sup>	50/200 kHz – A	
Element Material <sup>3</sup> /Diameter (mm)	PZT/44	
Beam Width at -3 dB	45°	12°
Q (fr/Δ f @ -3 dB) <sup>4</sup>	28	31
Rated RMS Power (W)	600	600
Voltage Responses: Transmit/Receive <sup>5</sup> (dB)	155 / -174	164 / -184
Figure of Merit (Insertion Loss) <sup>6</sup> (dB)	-31	-21
Balanced Impedance <sup>7</sup> : Resistance, Rp (ohm)	190	410
Capacitance, Cp (pF)	720	720
Series Impedance [R - jX] <sup>8</sup> (ohm)	175 - j40	360 - j130
Acoustic Window Material	Urethane	

Note: See page m 1 for footnotes.

35 Meadowbrook Drive, Milford, New Hampshire 03055-4613 USA  
Tel (603) 673-9570 • Fax (603) 673-4624 • e-mail: sales@airmar.com

**AIRMAR**  
TECHNOLOGY CORPORATION  
2000 #17-1205