



## GNX™ 20/21 Installation Instructions

To obtain the best possible performance, install this marine instrument according to these instructions. If you experience difficulty during the installation, contact Garmin® Product Support, or seek the advice of a professional installer.

This instrument communicates with NMEA 2000® sensors and devices, and shows information such as speed, heading, and water depth when connected to the appropriate sensors. The instrument can also communicate with a NMEA® 0183 device using an optional data cable.

### Important Safety Information

#### ⚠ WARNING

See the *Important Safety and Product Information* guide in the product box for product warnings and other important information.

#### ⚠ CAUTION

Always wear safety goggles, ear protection, and a dust mask when drilling, cutting, or sanding.

#### NOTICE

When drilling or cutting, always check what is on the opposite side of the surface.

### Registering Your Device

Help us better support you by completing our online registration today.

- Go to <http://my.garmin.com>.
- Keep the original sales receipt, or a photocopy, in a safe place.

### Contacting Garmin Product Support

- Go to [support.garmin.com](http://support.garmin.com) for in-country support information.
- In the USA, call 913-397-8200 or 1-800-800-1020.
- In the UK, call 0808 238 0000.
- In Europe, call +44 (0) 870 850 1241.

### Mounting Considerations

#### NOTICE

This device should be mounted in a location that is not exposed to extreme temperatures or conditions. The temperature range for this device is listed in the product specifications. Extended exposure to temperatures exceeding the specified temperature range, in storage or operating conditions, may cause device failure. Extreme-temperature-induced damage and related consequences are not covered by the warranty.

The mounting surface must be flat to avoid damaging the device when it is mounted.

Using the included hardware and template, you can flush mount the device in the dashboard. If you want to mount the device using an alternative method where it appears flat with the front of the dashboard, you must purchase a flat-mount kit (professional installation recommended) from your Garmin dealer.

When selecting a mounting location, observe these considerations.

- The mounting location should be at or below eye level to provide optimal viewing as you operate your vessel.
- The mounting location should be at less than a 45° viewing angle for the GNX 20 Marine Instrument with Standard LCD and less than a 50° viewing angle for the GNX 21 Marine

Instrument with Inverted LCD. Screen color inversion occurs when the viewing angle is greater than 30° in the 9 o'clock direction on the GNX 20 and when the viewing angle is greater than 60° in the 1 o'clock direction on the GNX 21.

- The mounting location should allow easy access to the keys on the device.
- The mounting surface must be strong enough to support the weight of the device and protect it from excessive vibration or shock.
- To avoid interference with a magnetic compass, the device should not be installed closer to a compass than the compass-safe distance value listed in the product specifications.
- The area behind the mounting surface must allow room for the routing and connection of the cables.

### Mounting the Device

#### NOTICE

If you are mounting the device in fiberglass, when drilling the four pilot holes, it is recommended to use a countersink bit to drill a clearance counterbore through only the top gel-coat layer. This will help to avoid any cracking in the gel-coat layer when the screws are tightened.

Stainless-steel screws may bind when screwed into fiberglass and overtightened. Garmin recommends applying an anti-seize lubricant to the screws before installing them.

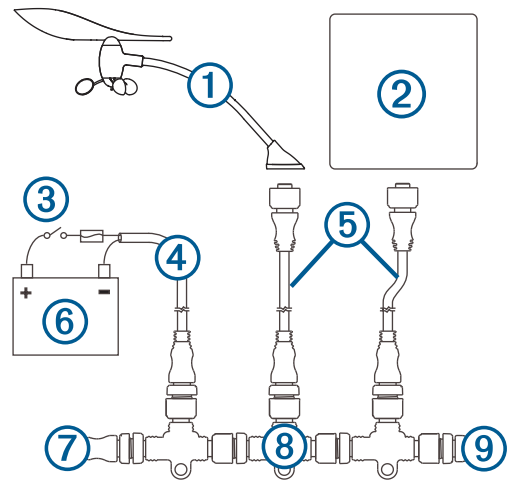
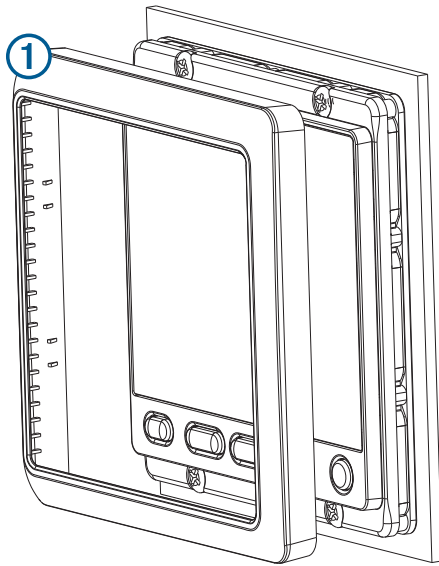
The included template and hardware can be used to flush mount the device in your dashboard. To mount the device so the screen is flat with the dashboard, you must purchase a flat-mount kit from your Garmin dealer.

- 1 Trim the flush-mount template and ensure it will fit in the location where you plan to mount the marine instrument.  
The flush-mount template is included in the product box.
- 2 Remove the liner from the adhesive on the back of the template and apply it to the location where you plan to mount the marine instrument.
- 3 If you plan to cut the hole with a jigsaw instead of a 90 mm (3.5 in.) hole saw, use a 10 mm (<sup>3</sup>/<sub>8</sub> in.) drill bit to drill a pilot hole to begin cutting the mounting surface.
- 4 Using the jigsaw or the 90 mm (3.5 in.) hole saw, cut the mounting surface along the inside of the dashed line indicated on the flush-mount template.
- 5 If necessary, use a file and sandpaper to refine the size of the hole.
- 6 Place the marine instrument into the cutout to confirm that the mounting holes on the template are in the correct locations.
- 7 If the mounting holes are not correct, mark the correct locations of the mounting holes.
- 8 Remove the marine instrument from the cutout.
- 9 Drill the 2.8 mm (<sup>7</sup>/<sub>64</sub> in.) pilot holes.  
If you are mounting the marine instrument in fiberglass, use a countersink bit as advised in the notice.
- 10 Remove the remainder of the template.
- 11 Place the included gasket on the back of the device and apply marine sealant around the gasket to prevent leakage behind the dashboard.
- 12 If you will not have access to the back of the device after you mount it, connect all necessary cables to the device before placing it into the cutout.  
**NOTE:** To prevent corrosion of the metal contacts, cover unused connectors with the attached weather caps.
- 13 Place the marine instrument into the cutout.

**14** Securely fasten the marine instrument to the mounting surface using the supplied screws.

If you are mounting the marine instrument in fiberglass, use a anti-galling lubricant as advised in the notice.

**15** Snap the bezel ① into place.



## Connection Considerations

The marine instrument connects to power and to data sources through a NMEA 2000 network. In addition, the marine instrument can connect to a NMEA 0183 data source using a data cable (not included).

### NMEA 2000 Connection Considerations

#### NOTICE

If you have an existing NMEA 2000 network on your boat, it should already be connected to power. Do not connect the NMEA 2000 power cable to an existing NMEA 2000 network, because only one power source should be connected to a NMEA 2000 network.

If you are installing the included NMEA 2000 power cable, you must connect it to the boat ignition switch or through another in-line switch. NMEA 2000 devices will drain your battery if the NMEA 2000 power cable is connected to the battery directly.

The marine instrument connects to a NMEA 2000 network on your boat using the port labeled NMEA 2000. The NMEA 2000 network provides power to the marine instrument and data from NMEA 2000-compatible devices such as a wind sensor. The included NMEA 2000 cables and connectors allow you to either connect the device to your existing NMEA 2000 network or create a basic NMEA 2000 network if needed.

If you are unfamiliar with NMEA 2000, you should read the “NMEA 2000 Network Fundamentals” chapter of the *Technical Reference for NMEA 2000 Products*. To download the reference, click the “Manuals” link on the product page for your device at [www.garmin.com](http://www.garmin.com).

| Item | Description                            |
|------|--|
| ①    | Wind sensor                            |
| ②    | Marine instrument                      |
| ③    | Ignition or in-line switch             |
| ④    | NMEA 2000 power cable                  |
| ⑤    | NMEA 2000 drop cable                   |
| ⑥    | 12 Vdc power source                    |
| ⑦    | NMEA 2000 terminator or backbone cable |
| ⑧    | NMEA 2000 T-connector                  |
| ⑨    | NMEA 2000 terminator or backbone cable |

### NMEA 0183 Connection Considerations

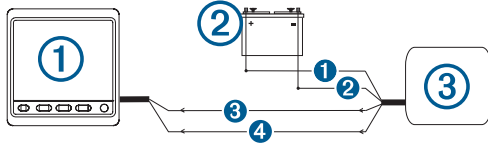
- The marine instrument can receive NMEA 0183 data from one device using a NMEA data cable (not included), but it cannot transmit data from the NMEA 0183 device to the NMEA 2000 network.
- If you are replacing a legacy Garmin marine instrument that currently uses a NMEA data cable, you do not need to purchase a new data cable, but you might need to replace the quarter-turn locking ring with a threaded locking ring. See your local Garmin dealer or [www.garmin.com](http://www.garmin.com) for more information.
- The installation instructions provided with your NMEA 0183 compatible device should contain the information you need to identify the transmitting (Tx) A (+) and B (-) wires.
- When connecting NMEA 0183 devices with two transmitting wires, it is not necessary for the NMEA 2000 bus and the NMEA 0183 device to connect to a common ground.
- When connecting a NMEA 0183 device with only one transmitting (Tx) wire, the NMEA 2000 bus and the NMEA 0183 device must connect to a common ground.
- For extended runs, you should use at least 0.33 mm<sup>2</sup> (22 AWG) wire.
- You must solder and seal all connections with heat-shrink tubing.

| Wire Color | Wire Function  |
|------------|--|
| Red        | A red wire is present only on some variations of the data cable, and should not be connected.            |
| Black      | Accessory (-). This wire is used only when connecting the marine instrument to a Garmin HVS GPS antenna. |
| Yellow     | Accessory (+). This wire is used only when connecting the marine instrument to a Garmin HVS GPS antenna. |
| Blue       | Tx/A (+). This wire is used only when connecting the marine instrument to a Garmin HVS GPS antenna.      |
| White      | Tx/B (-). This wire is used only when connecting the marine instrument to a Garmin HVS GPS antenna.      |

| Wire Color | Wire Function |
|------------|---------------|
| Brown      | Rx/A (+)      |
| Green      | Rx/B (-)      |

### NMEA 0183 Connection Diagrams

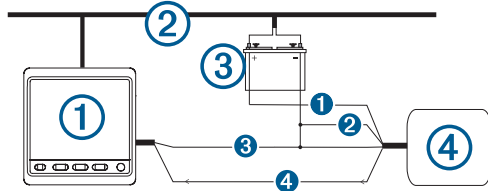
This diagram is an example of a connection to a standard NMEA 0183 device with two Tx wires.



| Item | Description   |
|------|---|
| ①    | Marine instrument with a NMEA data cable (not included) |
| ②    | 12 Vdc power source                                     |
| ③    | NMEA 0183-compliant device                              |

| Item | Garmin Wire Function | Garmin Wire Color | NMEA 0183 Device Wire Function |
|------|----------------------|-------------------|--------------------------------|
| ①    | N/A                  | N/A               | Power                          |
| ②    | N/A                  | N/A               | Data ground                    |
| ③    | Rx/A (+)             | Brown             | Tx/A (+)                       |
| ④    | Rx/B (-)             | Green             | Tx/B (-)                       |

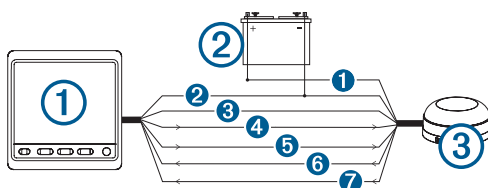
This diagram is an example of a connection to a standard NMEA 0183 device with one Tx wire.



| Item | Description  |
|------|--|
| ①    | Marine instrument with a NMEA data cable (not included)                    |
| ②    | NMEA 2000 network (must connect to the same ground as the NMEA data cable) |
| ③    | 12 Vdc power source  |
| ④    | NMEA 0183-compliant device   |

| Item | Garmin Wire Function | Garmin Wire Color | NMEA 0183 Device Wire Function |
|------|----------------------|-------------------|--------------------------------|
| ①    | N/A                  | N/A               | Power                          |
| ②    | N/A                  | N/A               | Power ground                   |
| ③    | Rx/B (-)             | Green             | Data ground                    |
| ④    | Rx/A (+)             | Brown             | Tx                             |

This diagram is an example of a connection to a Garmin HVS GPS antenna.



| Item | Description   |
|------|---|
| ①    | Marine instrument with a NMEA data cable (not included) |
| ②    | 12 Vdc power source                                     |
| ③    | Garmin HVS GPS antenna                                  |

| Item | Marine Instrument Wire Color | Antenna Wire Color |
|------|------------------------------|--------------------|
| ①    | N/A                          | Red                |
| ②    | Black                        | Black              |
| ③    | Yellow                       | Orange             |
| ④    | Blue                         | White              |
| ⑤    | White                        | White/orange       |
| ⑥    | Brown                        | Gray               |
| ⑦    | Green                        | White/red          |

### Specifications

| Specification                           | Measurement   |
|---|---|
| Dimensions without sun cover (H×W×D)    | 110 x 115 x 30 mm (4.33 x 4.53 x 1.18 in.)  |
| Dimensions with sun cover (H×W×D)       | 115 x 120 x 35.5 mm (4.53 x 4.72 x 1.40 in.)  |
| Weight without sun cover                | 247 g (8.71 oz.)  |
| Weight with sun cover                   | 283 g (9.98 oz.)  |
| Temperature range                       | From 5° to 158°F (from -15° to 70°C)  |
| Compass-safe distance                   | 209 mm (8.25 in.)   |
| Material                                | Case: fully-gasketed polycarbonate, waterproof to IEC 60529 IPX7 standards<br>Lens: glass with an anti-glare finish |
| Power usage                             | 2.5 W max   |
| Unit max. voltage                       | 32 Vdc  |
| NMEA 2000 input voltage                 | 9–16 Vdc  |
| NMEA 2000 load equivalency number (LEN) | 6 (300 mA at 9 Vdc)   |

### NMEA 2000 PGN Information

| Type                 | PGN                      | Description  |
|----------------------|--------------------------|--|
| Transmit and receive | 059392                   | ISO acknowledgment                                     |
|                      | 059904                   | ISO request  |
|                      | 060928                   | ISO address claim                                      |
|                      | 126208                   | NMEA: Command, request, and acknowledge group function |
|                      | 126464                   | Transmit PGN list group function                       |
|                      | 126996                   | Product information                                    |
| Receive              | 126992                   | System time  |
|                      | 127245                   | Rudder   |
|                      | 127250                   | Vessel heading   |
|                      | 127508                   | Battery status   |
|                      | 128259                   | Speed: Water referenced                                |
|                      | 128267                   | Water depth  |
|                      | 129025                   | Position: Rapid update                                 |
|                      | 129026                   | COG and SOG: Rapid update                              |
|                      | 129029                   | GNSS position data                                     |
|                      | 129283                   | Cross track error                                      |
|                      | 129284                   | Navigation data  |
|                      | 129285                   | Navigation route and waypoint info                     |
|                      | 129539                   | GNSS dilution of precision (DOP)                       |
|                      | 130306                   | Wind data  |
|                      | 130310                   | Environmental parameters                               |
| 130311               | Environmental parameters |  |
| 130312               | Temperature              |  |
| 130313               | Humidity                 |  |
| 130314               | Actual pressure          |  |

### NMEA 0183 Information

When connected to an optional NMEA 0183 compatible device, the instrument can receive these NMEA 0183 sentences.

| Sentence | Description                                  |
|----------|--|
| BOD      | Bearing (origin to destination)              |
| DBT      | Depth below transducer                       |
| DTM      | Datum being used                             |
| DPT      | Depth  |
| GGA      | Global positioning system fix data           |
| GLL      | Geographic position (latitude and longitude) |
| GRMB     | GPS data                                     |
| GRME     | GPS position error data                      |
| GSA      | GNSS DOP and active satellites               |
| GSV      | GNSS satellites in view                      |
| HDG      | Heading, deviation, and variation            |
| HDM      | Heading, magnetic                            |
| HDT      | Heading, true                                |
| MDA      | Meteorological composite                     |
| MTW      | Water temperature                            |
| MWD      | Wind direction and speed                     |
| MWV      | Wind speed and angle                         |
| RMB      | Recommended minimum navigation information   |
| RMC      | Recommended minimum specific GNSS data       |
| THS      | Heading sensor data                          |
| VHW      | Water speed and heading                      |
| WPL      | Waypoint location                            |
| XTE      | Cross track error                            |

You can purchase complete information about National Marine Electronics Association (NMEA) format and sentences from:  
NMEA, Seven Riggs Avenue, Severna Park, MD 21146 USA  
([www.nmea.org](http://www.nmea.org))

© 2014 Garmin Ltd. or its subsidiaries

Garmin® and the Garmin logo are trademarks of Garmin Ltd. or its subsidiaries, registered in the USA and other countries. GNX™ 20/21 is a trademark of Garmin Ltd. or its subsidiaries. These trademarks may not be used without the express permission of Garmin.

NMEA®, NMEA 2000®, and the NMEA 2000 logo are registered trademarks of the National Marine Electronics Association.

