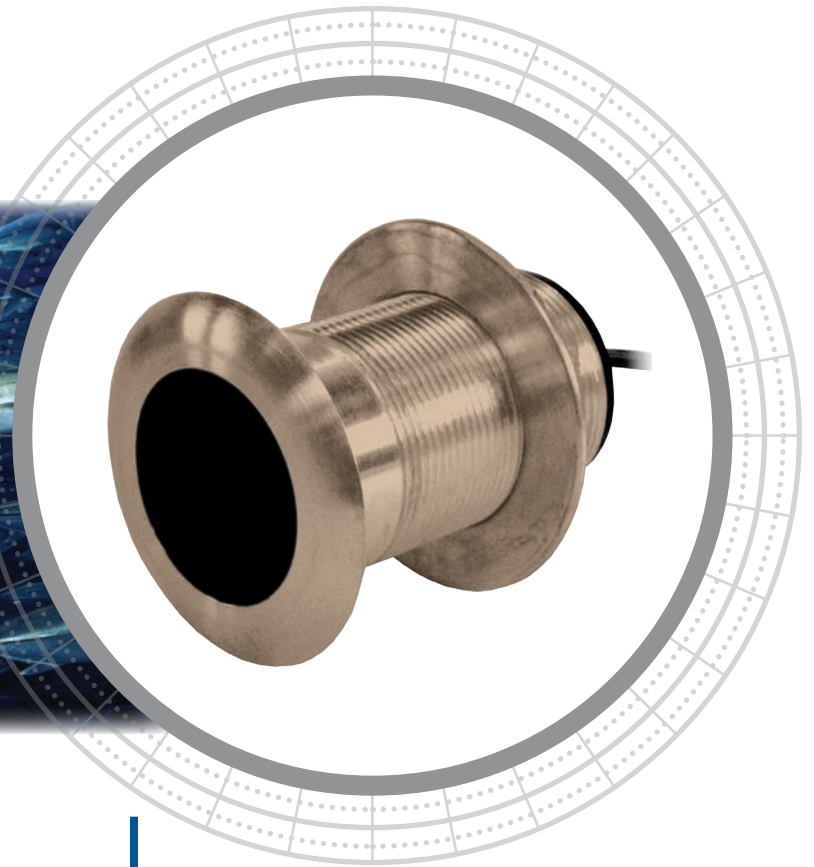


# P319 B117



## Minimize Your Drag

The P319 and B117 feature Airmar's 50/200 kHz, dual-frequency, single-ceramic element in a low-profile housing. Plastic and bronze models are available to accommodate all hull materials. The nearly flush design minimizes drag with only 5 mm (2/10") extending outside the hull.



Plastic housing—P319

## Thru-Hull Low-Profile 600 W

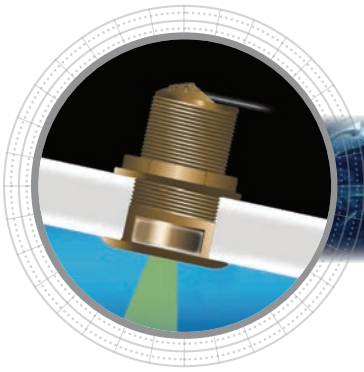
### Applications

- Planing hull powerboats
- Sailboats

### Features

- Industry standard for low-profile transducers
- Depth only or depth and temperature
- Good target detail in shallow water at 200 kHz and good deep-water bottom tracking at 50 kHz
- Right-angle cable exit gives low clearance and protection when transducer is stepped on
- Included rubber washer allows tightening of the hull nut to irregular hull surfaces
- Housings are ABYC H-27 compliant
- Optional temperature sensor
- Plastic or bronze housings available
- Boat size: up to 8 m (25')

# P319, B117



## Technical Information

50/200 kHz-A	
<b>Number of Elements and Configuration</b>	○
<b>Beamwidth (@-3 dB)</b>	45°      12°
<b>RMS Power (W)</b>	600 W      600 W
<b>TVR</b>	154 dB      164 dB
<b>RVR</b>	-179 dB      -185 dB
<b>FOM</b>	-33 dB      -21 dB
<b>Q</b>	28      30
<b>Impedance</b>	200 Ω      375 Ω

MAXIMUM DEPTH RANGE	
50 kHz	200 kHz
235 m to 353 m (800' to 1,200')	118 m to 206 m (400' to 700')

BEAM DIAMETER VS DEPTH		
Depth	50 kHz	200 kHz
9 m (30')	8 m (25')	2 m (6')
30 m (100')	25 m (83')	6 m (21')
122 m (400')	101 m (331')	26 m (84')
305 m (1,000')	252 m (828')	64 m (210')

SPECIFICATIONS
<b>Weight:</b> Plastic—0.6 kg (1.3 lb) Bronze—0.9 kg (2.0 lb)
<b>Hull Deadrise:</b> Up to 8°
<b>Acoustic Window:</b> Urethane
<b>Hole Diameter:</b> 51 mm (2")

## DIMENSIONS

