



Hella marine
Vision and Innovation

Product News

Latest Additions to the Hella marine Range

New!
LED Lighting

EuroLED®
TOUCH



New generation EuroLED® Touch.

Efficient, state-of-the art LED lamps offering advanced technology for durable and power saving interior and exterior installations.



The durability and single LED efficiency of Hella marine EuroLED® technology continues in a new generation of completely sealed recess mount LED lamps.

Proven Hella marine touch switching technology makes lighting control beautifully simple. Touch the red pad for red light, the white pad for white light. Hold your finger on the pad for more than two seconds and the lamp will cycle through increasing / decreasing intensity levels until the maximum / minimum intensity is achieved. Release your finger on the light level required. Power consumption is a low 4W on neutral white or warm white (0.33A @12V) and less than 1.5W on red (less than 0.125A@12V). This provides significant energy savings on board, yet each device offers an effective intensity and wide spread of effective illumination and comfortable colour temperatures.

Glare diffusion without light loss is important with any LED lamp to maintain efficiency and safety, particularly with powerful lamps such as the EuroLED® series. Without the protection of advanced optics, significant eye strain can result from periods of looking directly into a powerful LED point source. Advanced Hella marine lens technology provides a safe, smooth and uniform light pattern, without glare or discomfort.

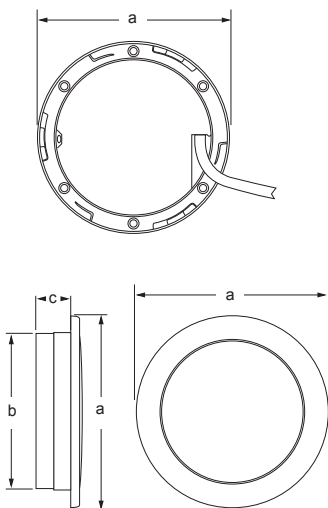
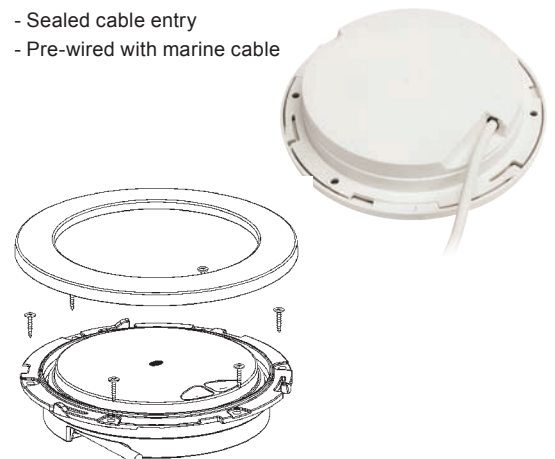
Dual colour EuroLED® lamps can be remotely operated from multiple points with 'off the shelf' ON/OFF/ON momentary switches. Holding one of the external switches for two seconds will synchronise the lamps to the same dimming level.

Light levels are 'remembered' by the lamps circuitry, even when a vessel's batteries are turned off. The lamp will always turn on at the colour intensity previously set, regardless of power interruption.

The durability of EuroLED® Touch lamps is outstanding. Each device is a sealed unit, highly impact and shock resistant for an ultra long service life. Integrated Multivolt™ electronics provide consistent illumination and protection across a range of input voltages from 9-33 DC, even under severe voltage fluctuations, low battery voltages and long cable runs.

EuroLED® Touch technology provides ultra reliable, power saving illumination for a wide range of commercial and recreational applications.

- Sealed cable entry
- Pre-wired with marine cable



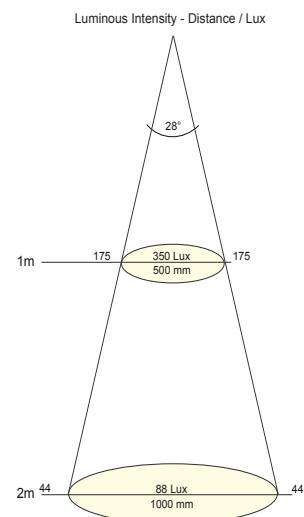
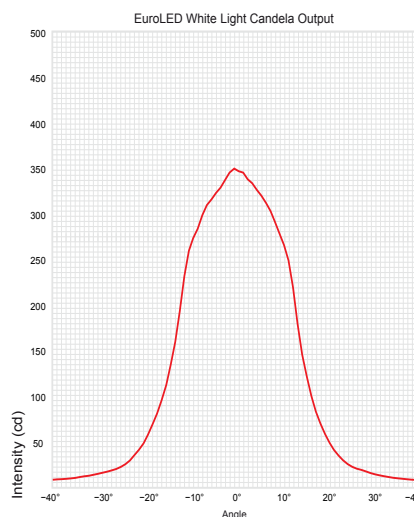
Dimensions

- a = 150 mm / 5.90"
- b = 124 mm / 4.88"
- c = 20 mm / 0.79"

EuroLED® Touch Candela and Lux performance. White light.



| | |
|-----------------------------|---|
| Lens Material | UV resistant enhanced impact acrylic |
| Rim Material | UV resistant plastic. 316 stainless steel |
| Colour Temperature | 4200K (White) 3000K (Warm White) |
| Cable | Pre-wired with 500mm of marine cable |
| Operating Voltage | Multivolt™ 9-33V DC |
| Power Consumption | 4.0W (0.33A@12V / 0.16A@24V) |
| Degree of Protection | Completely Sealed |
| Weight | 245g (including cable) |
| Installation | Recessed mount |
| Approvals | CE |



0631 series EuroLED®
No switching or dimming.

LED
Multivolt

CLEAR LENS

White Light EuroLED® Lamps

| Voltage | Rim Finish | Part Number |
|----------|------------------------------|-----------------|
| 9-33V DC | White plastic rim | 2JA 980 631-501 |
| 9-33V DC | Polished stainless steel rim | 2JA 980 631-511 |

LED
Multivolt

CLEAR LENS

Warm White Light EuroLED® Lamps

| Voltage | Rim Finish | Part Number |
|----------|------------------------------|-----------------|
| 9-33V DC | White plastic rim | 2JA 980 631-601 |
| 9-33V DC | Polished stainless steel rim | 2JA 980 631-611 |



0631 series EuroLED®
lamps with 0-10V dimming.

LED
Multivolt

CLEAR LENS

Dimming White Light EuroLED® Lamps

| Voltage | Rim Finish | Part Number |
|----------|------------------------------|-----------------|
| 9-33V DC | White plastic rim | 2JA 980 631-001 |
| 9-33V DC | Polished stainless steel rim | 2JA 980 631-011 |

LED
Multivolt

CLEAR LENS

Warm White Light EuroLED® Lamps

| Voltage | Rim Finish | Part Number |
|----------|------------------------------|-----------------|
| 9-33V DC | White plastic rim | 2JA 980 631-101 |
| 9-33V DC | Polished stainless steel rim | 2JA 980 631-111 |



Dual colour EuroLED®
Touch lamps with dimming and remote momentary switch control.

LED
Multivolt

CLEAR LENS

White / Red Light EuroLED® Touch Lamps

| Voltage | Rim Finish | Part Number |
|----------|------------------------------|-----------------|
| 9-33V DC | White plastic rim | 2JA 980 630-001 |
| 9-33V DC | Polished stainless steel rim | 2JA 980 630-011 |

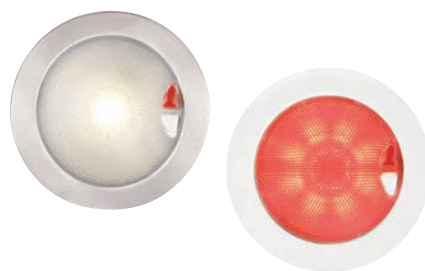
Touch the colour pad for ON/OFF, hold finger on the pad to cycle through dimming levels.

LED
Multivolt

CLEAR LENS

Warm White / Red Light EuroLED® Touch Lamps

| Voltage | Rim Finish | Part Number |
|----------|------------------------------|-----------------|
| 9-33V DC | White plastic rim | 2JA 980 630-101 |
| 9-33V DC | Polished stainless steel rim | 2JA 980 630-111 |



Single colour EuroLED®
Touch lamps without dimming or momentary switch control.

LED
Multivolt

CLEAR LENS

White Light EuroLED® Touch Lamps

| Voltage | Rim Finish | Part Number |
|----------|------------------------------|-----------------|
| 9-33V DC | White plastic rim | 2JA 980 630-501 |
| 9-33V DC | Polished stainless steel rim | 2JA 980 630-511 |

Touch the white pad for ON, touch the black pad for OFF.

LED
Multivolt

CLEAR LENS

Warm White Light EuroLED® Touch Lamps

| Voltage | Rim Finish | Part Number |
|----------|------------------------------|-----------------|
| 9-33V DC | White plastic rim | 2JA 980 630-601 |
| 9-33V DC | Polished stainless steel rim | 2JA 980 630-611 |



Hella marine
Vision and Innovation

Hella marine

81-83 Ben Lomond Crescent
Pakuranga 2140
Auckland
New Zealand

Phone

+64 9 577 0000

Fax

+64 9 576 2476

Email:

info@hellamarine.com

www.hellamarine.com