



OVERVIEW

Following are instructions for the in-dash mount installation of the HELIX control head. We encourage you to read this guide before starting the installation, so you may understand the installation requirements.

Technical Support: If you find that any items are missing from your installation kit, visit our Web site at humminbird.com or call Humminbird® Technical Support at **1-800-633-1468**.

Supplies: In addition to the hardware supplied with your accessory, you will need the [2] gimbal knobs and cable tray included with your control head, a drill and various drill bits, a cutting tool for the dashboard material, 7/16" [11 mm] adjustable wrench, safety glasses and dust mask, and masking tape. If the dashboard is thicker than 5/8" [16 mm], you may need to use the longer carriage bolts [included with hardware].


 **WARNING!** Do NOT use power tools to secure the hardware. We encourage you to read the installation instructions so you may understand the installation requirements.

 **NOTE:** The illustrations in this manual may not look the same as your product, but your product will function in the same way.

1 | Plan the Mounting Location

Start by locating a suitable, flat area of the dashboard for mounting. Consider the following to find the best mounting location:

- **Interference:** The mounting location must provide adequate distance from electric motors or any equipment that may cause electronic interference.
- **Stability:** The mounting area should be protected from waves, shock, vibration, and water.
- **Depth:** The mounting area should have a depth of 4½" [114.3 mm] to allow space for the control head and cables.
- **Ventilation:** The area beneath the mounting surface should be well-ventilated.
- **Accessibility:** The location should be easily accessible for all cables to reach the ports on the back of the control head.
- **Multiple Control Heads:** If you plan to install more than one control head side by side, leave a minimum space of 5/8" [15.9 mm] horizontally or 1/2" [12.7 mm] vertically between control heads. Take your measurement from the front edges of the control head. See the template for more information.

 **NOTE:** If a cable is too short for your application, extension cables are available. For assistance, contact Humminbird Technical Support.

2 | Cut the In-Dash Mounting Hole

To in-dash mount the HELIX control head, start by placing the components on the surfaces where you intend to install them.

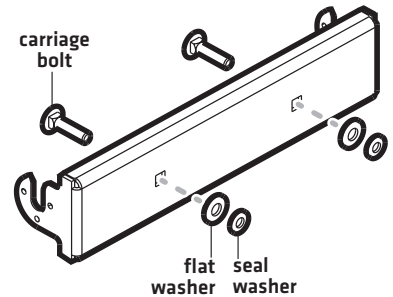
1. Review the instructions, measurements, and cutting options indicated on the In-dash Mounting Template.
2. Tape the template to the chosen in-dash mounting location.
3. Using the template, select the cutting method that is best for your boat:
 - Drill one entry hole away from the main cut line that is large enough to insert the blade of your cutting tool.
- OR**
- Using a 5/8" drill bit, drill the 4 corner holes [inside the main cut line] as shown on the template. Use one of the corner holes as an entry hole, or drill an additional entry hole away from the main cut line.
4. Carefully begin cutting toward the cut line, and continue cutting to the **inside of the line** around the template.
5. **Test the Mounting Hole:** Install the control head in the mounting hole to test the fit. Make adjustments to the mounting hole as needed. Remove the template when finished.
6. Thoroughly clean and deburr the mounting hole.

3 | Install the Bracket

To install the in-dash mount bracket, you will need the gimbal knobs included with your control head.

1. Place the control head on a towel or cloth, with the screen facing down, on a stable and level surface.
2. See the illustration *Installing the Bolts*. Install the carriage bolts (1/4" - 20) onto the bracket with the flat washer (1/4" x 3/4") and seal washer (1/4" x 1/2") in the order shown in the illustration. Hand tighten the washers fully until they are flat and secure on the bracket.
3. Line up the bracket arms with the ratchets on the side of the control head. The opening in the bracket arms should face up (away from the control head ports). Adjust the bracket so it is parallel with the control head screen. See the illustration *Installing the Bracket*.
4. Install the gimbal knobs into each side of the control head. **Hand-tighten only!** See the illustration *Installing the Bracket*.

Installing the Bolts



4 | Install the Control Head

1. From the front of the dashboard, with the control head screen facing out, carefully lower the control head into the mounting hole.



NOTE: If the control head will not fit through the mounting hole, remove one of the gimbal knobs and angle the control head into the mounting hole. Replace the gimbal knob before proceeding to step 2.

2. Press down lightly on the control head. Confirm the control head is centered and flush against the dashboard. Make adjustments, as needed.
3. From under the dashboard, insert the vertical bracket holes over the bolts. Ensure the top and bottom of the vertical bracket is evenly aligned and flush against the dash. See the illustration *Installing the Vertical Bracket*.

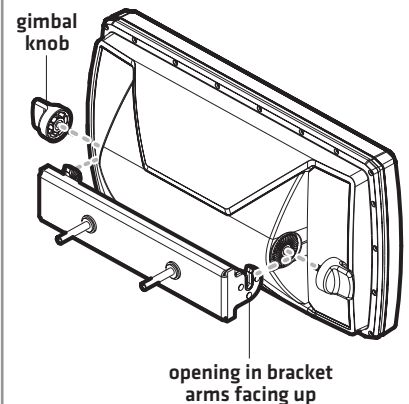


NOTE: If your vertical bracket has multiple bracket holes, use the center bracket holes.

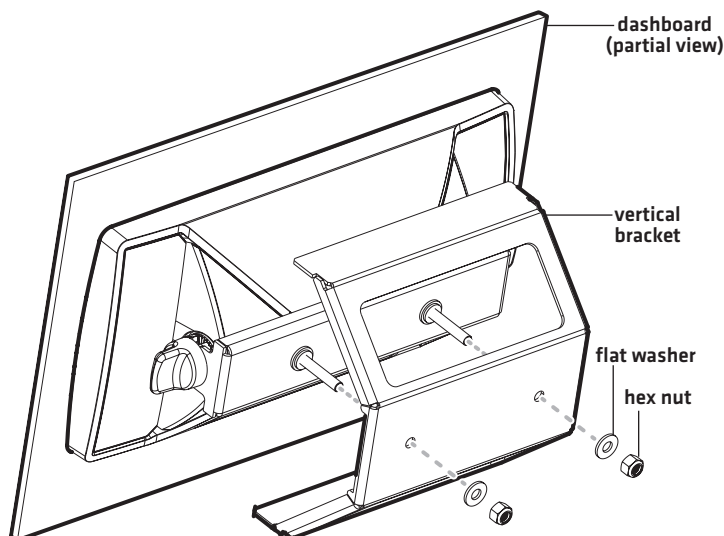
4. Install a flat washer (1/4" x 3/4") and hex nut (1/4" - 20) onto each carriage bolt. See the illustration *Installing the Vertical Bracket*. Use a 7/16" adjustable wrench to hand-tighten the nuts until the assembly is secured. Then tighten no more than 2 additional turns. **Hand-tighten only!**

Do NOT over-tighten the hex nuts. The bracket should remain straight without bending.

Installing the Bracket



Installing the Vertical Bracket



5 | Install the Cable Tray

The cable tray secures the cables and protects them from potential damage.

1. Route the cables to the control head.

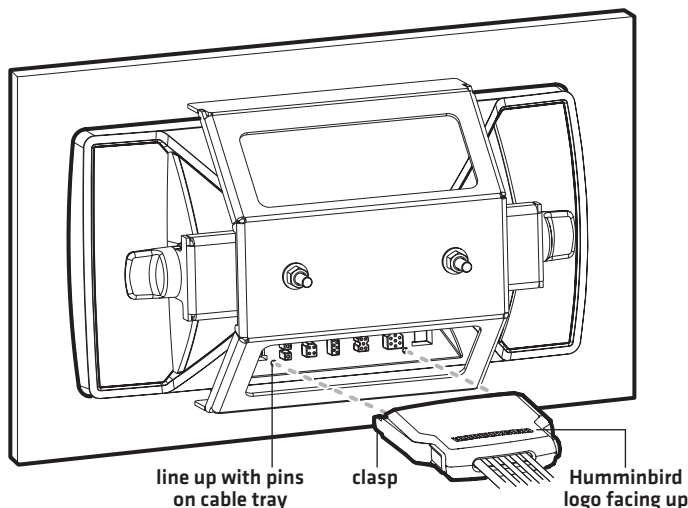
⚠ CAUTION! Do NOT mount the cables where the connectors could be submerged in water or flooded. If cables are installed in a splash-prone area, it may be helpful to apply dielectric grease to the inside of the connectors to prevent corrosion. Dielectric grease can be purchased separately from a general hardware or automotive store.

2. Use a Phillips head screwdriver to remove the screws from the bottom of the cable tray.
3. Hold the cable tray together and turn it over, so the Humminbird logo is facing up. Lift the cover and set it aside.
4. See the illustration *Locating the Cable Tray Slots*. Insert each cable connector into the correct slots in the tray. Each slot is shaped specifically for each connector, and insertion should be easy. Route the cables using the grooves in the tray.
5. Place the cover onto the tray. Hold the tray together and turn it over.

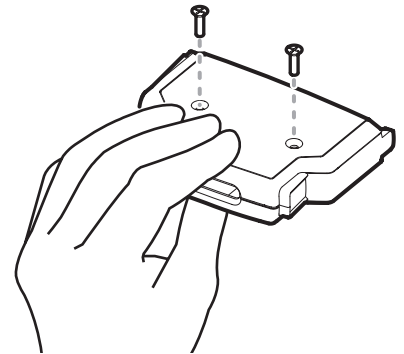
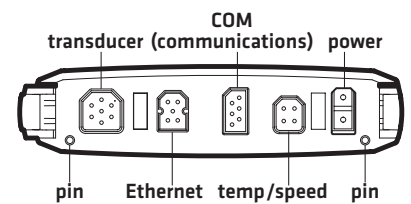
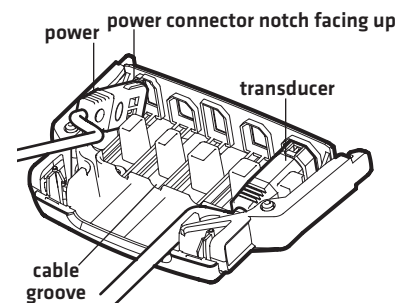
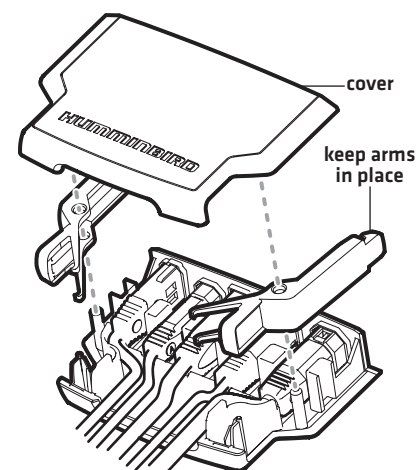
If the cable tray arms fall out, see the illustration *Assembling the Cable Tray* to put them back in place.

6. Install the screws in the holes on the bottom of the tray. **Hand-tighten only!** See the illustration *Removing the Screws from the Cable Tray* to replace the screws.
7. Turn over the cable tray so the Humminbird logo is facing up. Confirm the cables hang straight, and untwist them if necessary.
8. Line up the slots on the cable tray with the matching ports on the back of the control head. Line up the cable tray pins with the holes on the control head [see the illustration *Locating the Cable Tray Slots*].

With the Humminbird logo facing up, plug the cable tray into the back of the control head. The cable tray clasps should click into place. See the illustration *Connecting the Cable Tray to the Control Head*.

Connecting the Cable Tray to the Control Head


9. Pull carefully on the cable tray to confirm the installation is secure. Make sure both clasps clicked into place in step 8.
10. Your control head is ready for operation. See the Operations Summary Guide to get started.

Removing the Screws from the Cable Tray

Locating the Cable Tray Slots

Inserting the Cable Connectors into the Cable Tray

Assembling the Cable Tray


1-Year Limited Warranty

We warrant the original retail purchaser that products made by Humminbird have been manufactured free from defects in materials and workmanship. This warranty is effective for one year from the date of original retail purchase. Humminbird products found to be defective and covered by this warranty will be repaired or replaced free of charge at Humminbird's option and returned to the customer freight prepaid. Humminbird's sole responsibility under this warranty is limited to the repair or replacement of a product that has been deemed defective by Humminbird. Humminbird is not responsible for charges connected with the removal of such product or reinstallation of replaced or repaired parts; or shipping charges to the factory or authorized service center [if outside the U.S.].

This warranty does not apply to a product that has been:

- Improperly installed;
- Used in an installation other than that recommended in the product installation and operation instructions;
- Damaged or has failed because of an accident or abnormal operation;
- Repaired or modified by entities other than Humminbird.

Please retain your original receipt as a proof of the purchase date. This will be required for in-warranty service.

THIS WARRANTY IS EXPRESSLY IN LIEU OF ANY OTHER WARRANTIES, OBLIGATIONS OR LIABILITIES ON THE PART OF HUMMINBIRD AND WILL BE THE CUSTOMER'S EXCLUSIVE REMEDY, EXCEPT FOR ANY APPLICABLE IMPLIED WARRANTIES UNDER STATE LAW WHICH ARE HEREBY LIMITED IN DURATION TO ONE YEAR FROM THE DATE OF ORIGINAL PURCHASE. IN NO EVENT WILL HUMMINBIRD BE LIABLE FOR ANY INCIDENTAL OR CONSEQUENTIAL DAMAGES FOR BREACH OF ANY EXPRESS OR IMPLIED WARRANTY RELATING TO THE PRODUCTS.

Some states do not allow limitations on an implied warranty, or the exclusion of incidental or consequential damages, so the above exclusions may not apply to you. You may also have other rights, which vary from state to state.

Humminbird Service Policy

Even though you'll probably never need to take advantage of our incredible service policy, it's good to know that we back our products this confidently. We do it because you deserve the best. We will make every effort to repair your unit within three business days from the receipt of your unit at our factory. This does not include shipping time to and from our factory. Units received on Friday are typically shipped by the following Wednesday, units received Monday are typically shipped by Thursday, etc.

All repair work is performed by factory-trained technicians to meet exacting factory specifications. Factory-serviced units go through the same rigorous testing and quality control inspections as new production units.

After the original warranty period, a standard flat rate service charge will be assessed for each repair [physical damage and missing parts are not included]. Any repairs made after the original warranty will be warranted for an additional 90 days after service has been performed by our factory technicians. You can contact Technical Support or visit

our Web site to verify the flat rate repair fee for your product [visit the Product Support section]:

<http://www.humminbird.com>

We reserve the right to deem any product unserviceable when replacement parts are no longer available or impossible to obtain. This Service Policy is valid in the United States only. This applies only to Humminbird products returned to our factory in Eufaula, Alabama. This Service Policy is subject to change without notice.

DOMESTIC (USA) CUSTOMERS: PLEASE DO NOT RETURN THIS PRODUCT TO STORE FOR SERVICE

For all technical issues please call **1-800-633-1468** or visit humminbird.com, click **SUPPORT**.

Please reference product serial number and model number when contacting Humminbird.

Returning Your Unit for Service

Before sending your unit in for repair, please contact the factory, either by phone or by email, to obtain a Repair Authorization Number for your unit.



NOTE: Please do not return your Humminbird to the store for service.

Please have your product model name and serial number available before calling the factory. If you contact the factory by e-mail, please include your product model name and serial number in the e-mail, and use Request for Repair Authorization Number for your e-mail subject header. You should include your Repair Authorization Number in all subsequent communications about your unit.


For IN-WARRANTY service, complete the following steps:

- Obtain a Repair Authorization Number from Humminbird Technical Support.
- Tag product with your name, street address, phone number and your assigned Repair Authorization Number.
- Include a brief written description of the problem.
- Include a copy of your receipt [to show proof and date of purchase].
- Return product freight prepaid to Humminbird, using an insured carrier with delivery confirmation.

For OUT-OF-WARRANTY service, complete the following steps:

- Obtain a Repair Authorization Number from Humminbird Technical Support.
- Include payment in the form of credit card number and expiration date, or a money order. Please do not send cash.
- Tag product with your name, street address, phone number and your assigned Repair Authorization Number.
- Include a brief written description of the problem.
- Return product freight prepaid to Humminbird, using an insured carrier with delivery confirmation.

Important Notices


 **WARNING!** Disassembly and repair of this electronic unit should only be performed by authorized service personnel. Any modification of the serial number or attempt to repair the original equipment or accessories by unauthorized individuals will void the warranty.

 **NOTE:** Product specifications and features are subject to change without notice.

ENVIRONMENTAL COMPLIANCE STATEMENT: It is the intention of Johnson Outdoors Marine Electronics, Inc. to be a responsible corporate citizen, operating in compliance with known and applicable environmental regulations, and a good neighbor in the communities where we make or sell our products.

WEEE DIRECTIVE: EU Directive 2002/96/EC "Waste of Electrical and Electronic Equipment Directive (WEEE)" impacts most distributors, sellers, and manufacturers of consumer electronics in the European Union. The WEEE Directive requires the producer of consumer electronics to take responsibility for the management of waste from their products to achieve environmentally responsible disposal during the product life cycle.

WEEE compliance may not be required in your location for electrical & electronic equipment (EEE), nor may it be required for EEE designed and intended as fixed or temporary installation in transportation vehicles such as automobiles, aircraft, and boats. In some European Union member states, these vehicles are considered outside of the scope of the Directive, and EEE for those applications can be considered excluded from the WEEE Directive requirement.

 This symbol [WEEE whee bin] on product indicates the product must not be disposed of with other household refuse. It must be disposed of and collected for recycling and recovery of waste EEE. Johnson Outdoors Marine Electronics, Inc. will mark all EEE products in accordance with the WEEE Directive. It is our goal to comply in the collection, treatment, recovery, and environmentally sound disposal of those products; however, these requirements do vary within European Union member states. For more information about where you should dispose of your waste equipment for recycling and recovery and/or your European Union member state requirements, please contact your dealer or distributor from which your product was purchased.

PRÉSENTATION DE L'INSTALLATION

Voici les instructions relatives à l'installation du montage de tableau de bord de la tête de commande HELIX. Nous vous invitons à lire la notice avant de commencer l'installation afin de prendre connaissance des exigences.

Assistance technique : Si vous découvrez que des articles sont manquants dans votre trousse d'installation, rendez-vous sur notre site Web, humminbird.com, ou appelez le service d'assistance technique Humminbird® au **1-800-633-1468**.

Matériel : En plus de la quincaillerie fournie avec votre accessoire, vous aurez besoin de deux (2) molettes de cadran et d'un plateau de câblage inclus avec votre tête de commande, d'une perceuse et de différents forets, d'un outil de coupe pour le matériau du tableau de bord, d'une clé réglable de 11 mm (7/16 po), de lunettes de sécurité et d'un masque antipoussière, et d'un ruban-cache. Si le tableau de bord est épais de plus de 16 mm (5/8 po), il se peut que vous ayez à utiliser des boulons de carrosserie plus longs (inclus avec la quincaillerie).



AVERTISSEMENT ! N'utilisez PAS des outils électriques pour fixer la quincaillerie. Nous vous encourageons à lire les directives pour mieux comprendre les exigences d'installation.



REMARQUE : Même si les illustrations de ce manuel ne représentent pas exactement votre produit, celui-ci fonctionne de la même façon.

1 | Préparation de l'emplacement de montage

Commencez par localiser un endroit plat sur le tableau de bord qui soit propice au montage. Tenez compte des facteurs suivants pour trouver le meilleur emplacement :

- **Interférences** : L'emplacement de montage doit se trouver à distance appropriée de tout équipement ou moteur électrique pouvant provoquer des interférences électroniques.
- **Stabilité** : La zone de montage doit être protégée des vagues, des chocs, des vibrations et de l'eau.
- **Profondeur** : La zone de montage doit avoir une profondeur d'au moins 114,3 mm (4½ po) pour que l'espace soit suffisant pour la tête de commande et les câbles.
- **Ventilation** : La zone située sous la surface de montage doit être bien ventilée.
- **Accessibilité** : L'emplacement doit être aisément accessible pour que tous les câbles puissent atteindre les ports situés au dos de la tête de commande.
- **Plusieurs têtes de commande** : Si vous prévoyez d'installer plus d'une tête de commande l'une à côté de l'autre, laissez un espace minimum de 15,9 mm (5/8 po) à l'horizontale et de 12,7 mm (1/2 po) à la verticale entre les têtes de commande. Prenez vos mesures à partir des bords avant de la tête de commande. Voir le gabarit pour de plus amples renseignements.



REMARQUE : Si les câbles sont trop courts pour votre application, des rallonges sont disponibles. Pour obtenir de l'aide, communiquez avec le service d'assistance technique de Humminbird.

2 | Percer le trou de montage du tableau de bord

Pour monter la tête de commande sur le tableau de bord, commencez par placer les composants sur les surfaces où vous envisagez de les installer.

1. Consultez les instructions, les mesures et les options de découpage indiquées sur le Gabarit de montage du tableau de bord.
2. Collez le gabarit sur l'emplacement de montage du tableau de bord choisi à l'aide d'un ruban adhésif.
3. En utilisant le gabarit, sélectionnez la méthode de découpage la mieux appropriée à votre bateau :
 - Percez un trou d'entrée à l'écart de la ligne de coupe principale, de telle sorte qu'il soit suffisamment grand pour que vous puissiez insérer la lame de votre outil de coupe.
 - OU**
 - En utilisant un foret de 16 mm (5/8 po), percez les 4 trous d'angles (à l'intérieur de la ligne de coupe principale), comme illustré sur le gabarit. Utilisez l'un des trous d'angle comme un trou d'entrée, ou percez un trou d'entrée supplémentaire à l'écart de la ligne de coupe principale.
4. Commencez par découper soigneusement en direction de **la ligne de coupe**, puis suivez l'intérieur de cette ligne tout autour du gabarit.
5. **Vérifier le trou de montage** : Installez la tête de commande dans le trou de montage pour vérifier qu'elle s'insère correctement. Ajustez le trou de montage selon le besoin. Écartez le gabarit une fois la découpe terminée.
6. Nettoyez et ébavurez soigneusement le trou de montage.

3 | Installer le support

Pour installer le support de montage du tableau de bord, vous aurez besoin des molettes de cadran incluses avec votre tête de commande.

1. Placez la tête de commande sur une serviette ou un chiffon, avec l'écran tourné vers le bas, sur une surface plane et stable.
2. Voir l'illustration **Installation des boulons**. Installez les boulons de carrosserie [7 mm [1/4 po] - 20] sur le support avec la rondelle plate [7 mm [1/4 po] x 19 mm [3/4 po]] et la rondelle d'étanchéité [7 mm [1/4 po] x 12,7 mm [1/2 po]] dans l'ordre indiqué sur l'illustration. Serrez complètement les rondelles à la main jusqu'à ce qu'elles soient à plat et fixées sur le support.
3. Alignez les bras du support aux mécanismes à rocher situés sur le côté de la tête de commande. L'ouverture des bras de support doit être orientée vers le haut (à l'écart des ports de la tête de commande). Réglez le support pour qu'il soit parallèle à l'écran de la tête de commande. Voir l'illustration **Installation du support**.
4. Placez les molettes du cardan de chaque côté de la tête de commande. **Serrez à la main seulement!** Voir l'illustration **Installation du support**.

4 | Installation de la tête de commande

1. Depuis l'avant de la tête de commande, avec l'écran de tête de commande tourné vers l'extérieur, abaissez soigneusement la tête de commande dans le trou de montage.



REMARQUE : Si la tête de commande n'est pas correctement insérée dans le trou de montage, retirez l'une des molettes à cadran et positionnez la tête de commande dans le trou de montage. Remplacez la molette à cadran avant de continuer vers l'étape 2.

2. Appuyez légèrement sur la tête de commande. Vérifiez que la tête de commande est centrée et bien à plat contre le tableau de bord. Effectuez les ajustements nécessaires.
3. Depuis le dessous du tableau de bord, insérez les trous du support vertical dans les boulons. Assurez-vous que le haut et le bas du support vertical sont uniformément alignés et bien à plat sur le tableau de bord. Voir l'illustration **Installation du support vertical**.

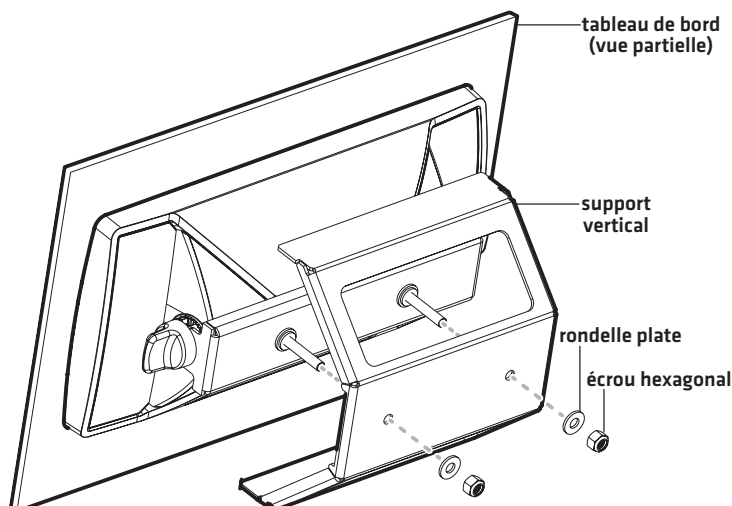


REMARQUE : Si votre support vertical a plusieurs trous, utilisez les trous du support central.

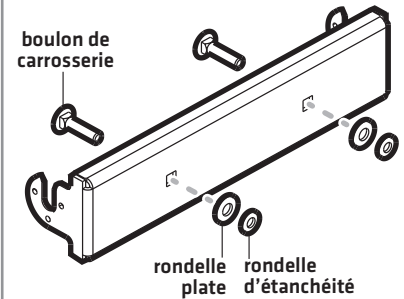
4. Installez une rondelle plate [7 mm [1/4 po] x 19 mm [3/4 po]] et un écrou hexagonal [7 mm [1/4 po] - 20] sur chaque boulon de carrosserie. Voir l'illustration **Installation du support vertical**. Utilisez une clé réglable de 11 mm [7/16 po] pour serrer à la main les écrous jusqu'à ce que l'ensemble soit fixé. Puis serrez de 2 tours supplémentaires maximum. **Serrez à la main seulement!**

Ne serrez PAS excessivement les écrous hexagonaux. Le support doit rester droit sans plier.

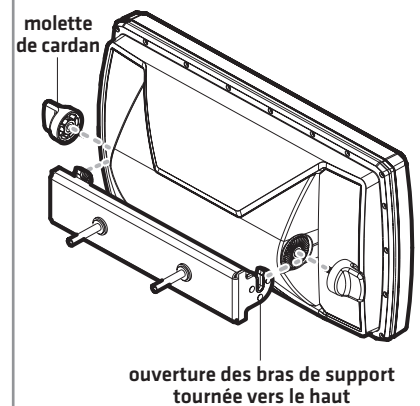
Installation du support vertical



Installation des boulons



Installation du support



5 | Installer le plateau de câblage

Le plateau de câblage fixe les câbles et les protège des dommages potentiels.

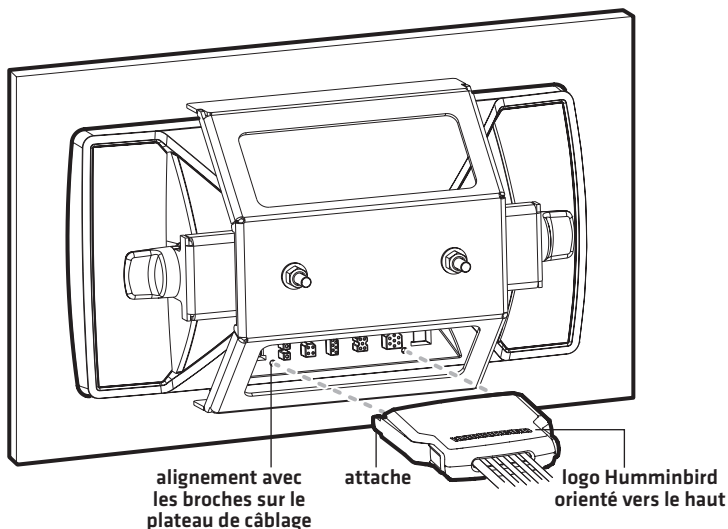
1. Acheminez les câbles jusqu'à la tête de commande.



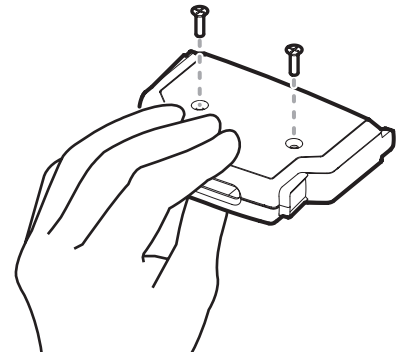
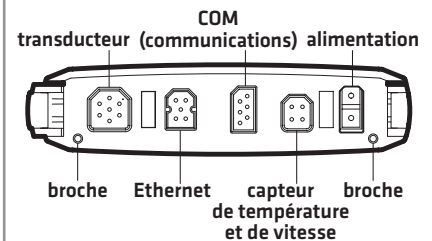
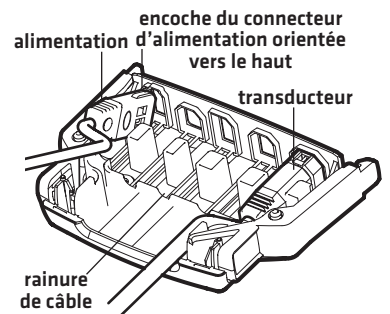
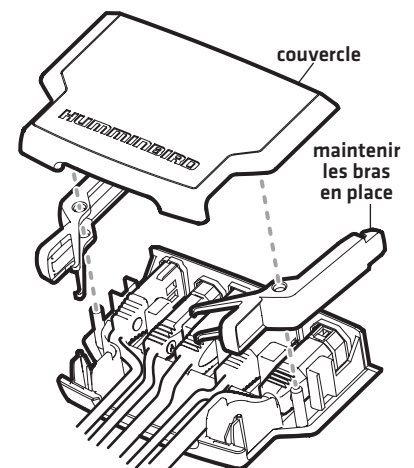
MISE EN GARDE ! Ne PAS monter les câbles dans un endroit où les connecteurs pourraient être submergés. Si les câbles sont installés dans une zone où des éclaboussures sont possibles, il est préférable d'appliquer de la graisse diélectrique sur l'intérieur des connecteurs pour éviter la corrosion. Il est possible d'acheter la graisse diélectrique séparément dans une quincaillerie ou dans un magasin d'équipement automobile.

2. Utilisez un tournevis à tête cruciforme pour enlever les vis au bas du plateau de câblage.
3. Tout en maintenant le plateau de câblage, retournez-le de sorte que le logo Humminbird soit orienté vers le haut. Retirez le couvercle et mettez-le de côté.
4. Reportez-vous à l'illustration *Localisation des logements du plateau de câblage*. Insérez chaque connecteur de câble dans le logement approprié sur le plateau de câblage. Chaque logement est adapté à la forme du connecteur correspondant, et l'insertion ne devrait poser aucun problème. Acheminez les câbles en vous servant des rainures qui se trouvent dans le plateau.
5. Placez le couvercle sur le plateau. Tout en maintenant le plateau, retournez-le.
Si les bras du plateau de câblage tombent, reportez-vous à l'illustration de la section *Assemblage du plateau de câblage* pour les remettre en place.
6. Installez les vis dans les trous au bas du plateau. **Serrez à la main seulement!** Reportez-vous à l'illustration *Retrait des vis du plateau de câblage* pour remettre les vis en place.
7. Retournez le plateau de câblage de sorte que le logo Humminbird soit orienté vers le haut. Vérifiez que les câbles pendent à la verticale et démêlez-les si nécessaire.
8. Alignez les logements sur le plateau de câblage avec les ports correspondant à l'arrière de la tête de commande. Alignez les broches du plateau de câblage aux trous situés sur la tête de commande [voir l'illustration *Localisation des logements du plateau de câblage*].

Avec le logo Humminbird orienté vers le haut, branchez le plateau de câblage à l'arrière de la tête de commande. Les attaches du plateau de câblage doivent s'insérer facilement jusqu'à ce que vous entendiez un déclic. Reportez-vous à l'illustration *Branchement du plateau de câblage à la tête de commande*.

Branchement du plateau de câblage sur la tête de commande


9. Tirez doucement le plateau de câblage pour vérifier que l'illustration est sécurisée. Assurez-vous que les deux attaches émettent un déclic à l'étape 8.
10. La tête de commande est prête à fonctionner. Voir la Guide résumé d'utilisation pour commencer.

Retrait des vis du bas du plateau de câblage

Localisation des logements du plateau de câblage

Insertion des connecteurs de câbles dans le plateau de câblage

Assemblage du plateau de câblage


Garantie restreinte d'un (1) an

Nous garantissons à l'acheteur au détail initial que les produits fabriqués par Humminbird sont exempts de défauts de matière et de fabrication. Cette garantie est en vigueur pour une durée d'un an à partir de la date de l'achat initial. Les produits de Humminbird qui sont effectivement défectueux et couverts par cette garantie seront réparés ou remplacés sans frais, à la discrétion de Humminbird, et renvoyés au client, fret payé à l'avance. La seule responsabilité de Humminbird relativement à cette garantie se limite à réparer ou à remplacer un produit jugé défectueux par Humminbird. Humminbird n'est pas responsable des frais reliés à la désinstallation d'un tel produit ni à la réinstallation de la pièce remplacée ou réparée ; ou les frais d'expédition à l'usine ou au centre de service autorisé (si à l'extérieur des États-Unis).

Cette garantie ne couvre pas un produit qui a été :

- Mal installé;
- Installé d'une façon autre que celle recommandée dans la notice d'installation ou le mode d'emploi du produit;
- Endommagé ou qui a cessé de fonctionner par suite d'un accident ou d'une utilisation anormale;
- Réparé ou modifié par une entité autre que Humminbird.

Veillez conserver le reçu de caisse original comme preuve de la date d'achat. Il vous sera demandé pour toute réparation effectuée sous garantie.

CETTE GARANTIE EXPRESSE REMPLACE TOUTE AUTRE GARANTIE, OBLIGATION OU RESPONSABILITÉ DE LA PART DE HUMMINBIRD, ET CONSTITUE LE SEUL RECOURS DU CLIENT, EXCEPTION FAITE DE TOUTE GARANTIE APPLICABLE IMPLICITE EN VERTU D'UNE LOI PROVINCIALE (D'ÉTAT), LIMITÉE PAR LA PRÉSENTE À UNE DURÉE D'UN AN À PARTIR DE LA DATE D'ACHAT INITIALE. HUMMINBIRD NE POURRA EN AUCUN CAS ÊTRE TENUE RESPONSABLE DE TOUT DOMMAGE ACCESSOIRE OU CONSÉCUTIF À L'INOBSERVATION D'UNE GARANTIE EXPRESSE OU IMPLICITE RELATIVE AUX PRODUITS.

Certaines provinces ou certains États ne permettent ni l'imposition de restrictions sur les garanties implicites ni l'exclusion des dommages consécutifs ou indirects, alors ces restrictions ou exclusions pourraient ne pas vous concerner. Vous pourriez également bénéficier d'autres droits, qui varient d'une province (d'un État) à une (un) autre.

Politique de service après-vente de Humminbird

Même si vous n'aurez probablement jamais à utiliser notre politique rigoureuse de service après-vente, il est plaisant de savoir que nous soutenons nos produits avec tant de confiance. Nous agissons ainsi parce que nous croyons que vous méritez ce qu'il y a de mieux. Nous ferons tout en notre pouvoir pour réparer votre appareil en deçà de trois jours ouvrables, à partir de la date de réception de l'appareil à notre usine. Ce délai ne comprend pas la durée du transport jusqu'à notre usine, ni de notre usine jusqu'à vous. Les appareils reçus le vendredi sont habituellement retournés le mercredi suivant, les appareils reçus le lundi sont habituellement retournés le jeudi, et ainsi de suite.

Toutes les réparations sont effectuées en accord avec les spécifications rigoureuses de l'usine, par des techniciens formés en usine. Les appareils réparés en usine sont testés de la même façon

et subissent les mêmes contrôles de qualité que les nouvelles unités en production.

À la fin de la période de garantie initiale, une évaluation des frais de service à tarif fixe régulier sera effectuée pour chaque appareil en réparation (dommages physiques et pièces manquantes non comprises). Toute réparation effectuée après la période de garantie initiale est garantie pendant 90 jours à partir de la date de la réparation par notre technicien en usine. Vous pouvez communiquer avec le support technique ou visitez notre site Web pour vérifier les frais de service à tarif fixe pour votre produit (voir la section de soutien technique sur les produits) :

<http://www.humminbird.com>

Nous nous réservons le droit de considérer un produit irréparable si les pièces de rechange sont discontinuées ou impossibles à obtenir. La politique de service après-vente n'est valide qu'aux États-Unis. Elle ne s'applique qu'aux produits Humminbird retournés à notre usine située à Eufaula, Alabama. La politique de service après-vente est modifiable sans préavis.


CLIENTÈLE NATIONALE (ÉTATS-UNIS) : NE PAS RENVoyer CET APPAREIL EN MAGASIN POUR LE FAIRE RÉPARER

Pour toutes questions techniques, composez le **1-800-633-1468** ou consultez humminbird.com et cliquez sur **SUPPORT**.

Munissez-vous du numéro de série et du numéro de modèle de l'appareil avant d'appeler Humminbird.

Comment renvoyer votre appareil pour réparation

Avant de renvoyer votre appareil pour réparation, veuillez communiquer avec l'usine, soit par téléphone ou par courrier électronique, afin d'obtenir un numéro d'autorisation de réparation pour votre appareil.

 **REMARQUE :** Ne pas renvoyer cet appareil en magasin pour le faire réparer.

Assurez-vous d'avoir le nom de modèle et le numéro de série de votre produit avant d'appeler l'usine. Si vous communiquez avec l'usine par courrier électronique, veuillez inclure le nom de modèle et le numéro de série de votre produit dans le message et inscrire Demande de numéro d'autorisation de réparation dans le sujet du courriel. Par la suite, vous devriez toujours vous référer à ce numéro d'autorisation de réparation lors de communications subséquentes au sujet de votre appareil.

Veillez suivre les étapes suivantes pour les réparations à effectuer SOUS GARANTIE :

- Obtenir un numéro d'autorisation de réparation de support technique Humminbird.
- Étiqueter le produit du nom, de l'adresse et du téléphone, ainsi que du numéro d'autorisation de réparation.
- Décrire brièvement le problème.
- Joindre une copie du reçu (comme preuve d'achat et de date d'achat).
- Renvoyer le produit, fret payé à l'avance, à Humminbird. Assurer l'expédition et demander une preuve de livraison.

DU MONTAGE DE TABLEAU DE BORD DE LA SÉRIE HELIX®

523464-4_A

Veillez suivre les étapes suivantes pour les réparations d'appareils N'ÉTANT PLUS SOUS GARANTIE :

- Obtenir un numéro d'autorisation de réparation de support technique Humminbird.
- Joindre le paiement soit en incluant un numéro de carte de crédit avec date d'expiration, soit en joignant un mandat postal ou bancaire. Ne pas envoyer d'argent comptant.
- Étiqueter le produit du nom, de l'adresse et du téléphone, ainsi que du numéro d'autorisation de réparation.
- Décrire brièvement le problème.
- Renvoyer le produit, fret payé à l'avance, à Humminbird. Assurer l'expédition et demander une preuve.

Avis importants

AVERTISSEMENT ! La réparation et le démontage de cet appareil électronique doivent être effectués uniquement par un personnel d'entretien autorisé. Toute modification du numéro de série ou réparation par un personnel non autorisé entraînera l'annulation de la garantie.



REMARQUE : Les caractéristiques et spécifications peuvent être modifiées sans préavis.

DÉCLARATION DE CONFORMITÉ AVEC L'ENVIRONNEMENT : Johnson Outdoors Marine Electronics, Inc. entend agir en de façon responsable, et respecter la réglementation environnementales connues et applicables et la politique de bon voisinage des communautés où elle fabrique et vend ses produits.

DIRECTIVE DEEE : La directive EU 2002/96/CE sur les « déchets d'équipements électriques et électroniques [DEEE] » concerne la plupart des distributeurs, vendeurs et fabricants d'équipements électroniques grand public dans l'Union européenne. La directive DEEE requiert que le producteur d'équipements électroniques grand public prenne en charge la gestion des déchets de leurs produits et mettent en oeuvre leur élimination en respectant l'environnement, pendant le cycle de vie du produit.

Il est possible que la conformité à la directive DEEE ne soit pas requise sur le site pour les équipements électriques et électroniques [EEE], ou pour les équipements EEE conçus et destinés à des installations temporaires ou fixes sur les véhicules de transport tels que les automobiles, les aéronefs ou les bateaux. Dans certains pays membres de l'Union européenne, ces véhicules n'entrent pas dans le domaine d'application de la directive, et les EEE pour ces applications peuvent être considérés exclus de la conformité à la directive WEEE.



Ce symbole [poubelle DEEE] figurant sur le produit indique qu'il ne doit pas être mis au rebut avec les autres déchets ménagers. Il doit être éliminé et recueilli pour le recyclage et la récupération des équipements EEE à mettre au rebut. Johnson Outdoors Marine Electronics, Inc. marque tous les produits EEE conformément à la directive DEEE. Notre but est de respecter les directives sur la collecte, le traitement, la récupération et la mise au rebut de ces produits en respectant l'environnement ; ces exigences varient toutefois d'un état membre à l'autre de l'Union européenne. Pour obtenir d'autres renseignements sur les sites d'élimination des déchets d'équipements en vue de leur recyclage et de leur récupération et/ou sur les exigences des états membres de l'Union européenne, renseignez-vous auprès du distributeur ou du lieu d'achat de votre produit.