

# i6/i6P

**Unmatched Performance**  
Marine Satellite TV Antenna System



**HDTV**  
COMPATIBLE

## A firm hold on the signal

Intellian's exclusive Dynamic Beam Tilting (DBT) uses a high performance, constantly adjusting sub-reflector which allows the antenna to remain the strongest signal at all times while the vessel is cruising at high speed.

## Faster signal acquisition

Intellian's exclusive Wide Range Search (WRS) algorithm allows the antenna to search, find and lock on to a signal with incredible speed and accuracy.

## Simple & Easy installation

With a single cable to connect the antenna and the ACU, Intellian i3 systems are quick and easy to install. Our advanced ACU is designed to require minimum setup so you can begin to enjoy TV programs aboard your boat in no time.

## Unmatched performance

60cm reflector diameter with nationwide coverage for North & South America, Europe and the regional service around the globe.

## Tune in your favorite HDTV channels

Intellian's i6/i6P provides HD channels from the Ku-band. The HD module is actually built-in to the Antenna Control Unit of the Intellian i6/i6P for seamless integration and easy installation.

## Built-in GPS

Intellian i6/i6P includes a built-in GPS for easier operation and faster signal acquisition. It allows the i6/i6P to have higher accuracy and easy operation wherever the vessel sails.

## Wireless connectivity & Aptus mobile

The built-in Wi-Fi enables the ACU to be wirelessly connected. PCs, laptops and smartphones can be used to connect to the ACU and monitor, control and change the settings of the system wirelessly. Intellian Aptus mobile is available for download to access to the ACU via Wi-Fi and operate the antenna from their iPhone, iPad or other network devices. iPhone and iPad are registered trademarks of Apple Inc.

# i6/i6P **Unmatched Performance** Marine Satellite TV Antenna System

## Technical Specifications

Physical	
Radome Height	72cm / 28.3"
Radome Diameter	70cm / 27.5"
Reflector Diameter	60cm / 23.6"
Weight	i6 : 20kg (44lbs) / i6P : 22kg (49lbs)
Environmental	
Operating Temp. Range	-25°C to +55°C / -13°F to +131°F
Storage Temp. Range	-40°C to +80°C / -40°F to +176°F
Water Ingress	IPX6
Approvals	CE / FCC
Warranty	3 years parts and 2 year labor
Performance	
Reception Frequency	Ku-band (10.7~12.75GHz)
Polarization	Circular or Linear
Minimum EIRP	46dBW
Azimuth Range	680°
Elevation Range	+5° to +90°
Ship's Motion	Roll ±25°, Pitch ±15°
Roll & Pitch Response Rate	45° / sec
Turning Rate	45° / sec
RF Output	Dual / Quad Output
Antenna Control Unit	
Dimensions (WxDxH)	17.8cm x 21.7cm x 5.4cm / 7" x 8.5" x 2.1"
Weight	1.2kg / 2.6lbs
Display	2 line 20 Character VFD module
GPS Interface	Built-in (NMEA 0183 GPS)
Power Requirement	9.0~30.0V DC
Power Consumption	Typ. 30W, Max. 50W

## Key feature

### Fully Automated System

Automatic satellite search and identification.  
2-axis step motors to stabilize the pedestal.

### Enhanced Antenna

Highly efficient 24 inch parabolic antenna enables 47dBW of minimum EIRP. RHCP / LHCP, Vertical / Horizontal polarization.

### Easy Installation

Single cable from the Antenna to the Antenna Control Unit.

### Wide Range Search (WRS) Algorithm

Competitor methods search for the narrow-bandwidth of the main lobe. However Intellian's exclusive WRS searches for the wide range of side lobes and jumps up to the main lobe, providing faster satellite acquisition.

### DVB-S2 Signal Identification

High speed identification employing DVB-S2 Decoder.

### Dynamic Beam Tilting (DBT) Technology

A high-speed sub-reflector rotates off axis, checking signal strength at 50 times per second and compensating the tracking direction. Less movement of the main-reflector means less noise and extends the product life.

### New Type Antenna Control Unit

- Intuitive controls with a digital information display on the ACU
- Wireless automated updates and diagnostics via Aptus PC and Aptus Mobile

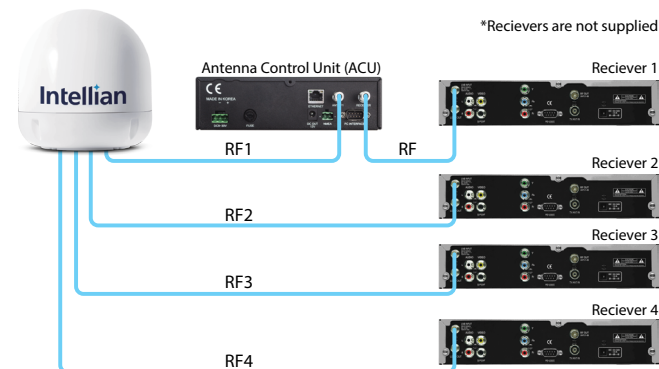
### Automatic Polarization (Skew-angle) Control \*i6P Only

Automatic Skew Angle Control System (-90°~ +90°) for Linear Horizontal / Vertical Polarization.

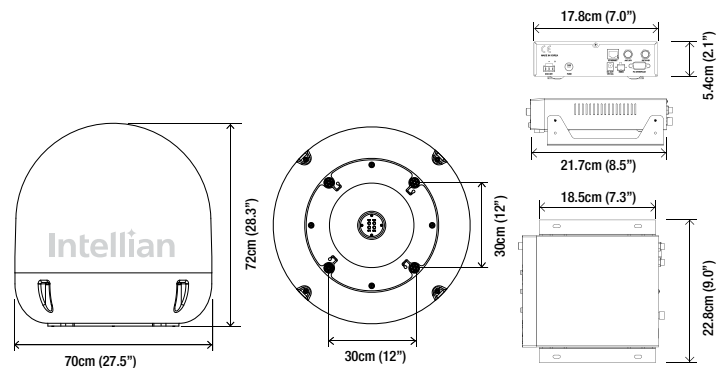
### Built-in GPS and NMEA 0183 Interface Port

The i6/i6PE includes a built-in GPS inside of the Antenna Unit for faster signal acquisition. The ship's GPS can also be connected through the NMEA 0183 port on the rear panel of the ACU.

## System Diagram



## System Dimensions



**Global HQ**  
Innovation Center  
Intellian Technologies, Inc.  
T +82 31 379 1000  
F +82 31 377 6185

**APAC**  
Seoul  
Intellian Technologies, Inc.  
T +82 2 511 2244  
F +82 2 511 2235

**Americas**  
Irvine  
Intellian Technologies USA, Inc.  
T +1 949 727 4498  
F +1 949 271 4183  
Toll Free +1 888-201-9223

**EMEA**  
Rotterdam  
Intellian B.V.  
T +31 1 0820 8655  
F +31 1 0820 8656