

C700

Iridium CertusSM Maritime Terminal



| The Most Powerful Iridium Certus Terminal Available

The Intellian C700 maritime satellite terminal connects to the Iridium NEXT network of 66 Low-Earth Orbit (LEO) satellites, providing pole-to-pole communication. Using the Iridium Certus service, the Intellian C700 provides three high-quality voice lines and the highest IP data speeds among L-band terminals of up to 704 Kbps.

| A Perfect VSAT Companion Solution

Intellian is the No. 1 maritime VSAT manufacturer and market leader. All Intellian C700 terminals are optimized as VSAT companion devices. The combination of the traditional Intellian's VSAT Ku-band and Intellian's new C700 systems will guarantee a seamless connection wherever you are. Easy APIs for M&C, firewall security, and will easily integrate as part of a VSAT out-of-band management solution.

| Best-in-Class Antenna Performance

The 12-element patch antenna improves low elevation angle performance. This innovative electronic phased-array antenna guarantees a reliable and high-throughput connection in all conditions. Also, the H2 class high power amplifier enables up-link data speeds of up to 352 Kbps as standard.

| System Highlights

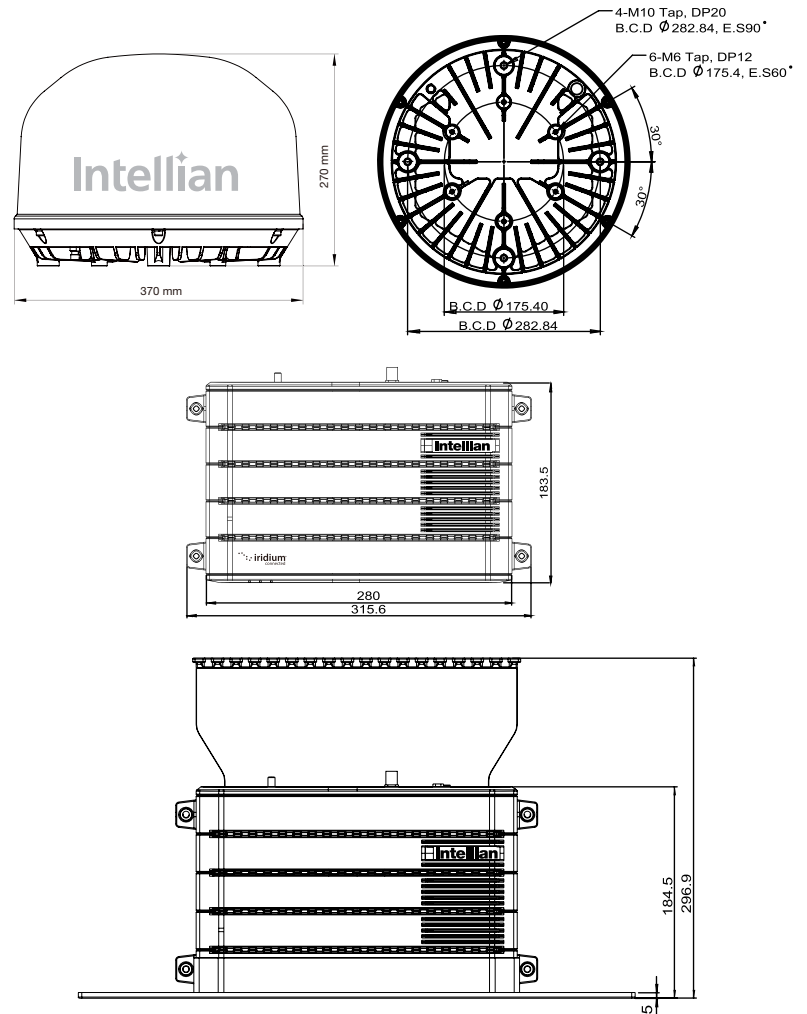
- **Powerful 12 Element Patch Phased-Array Antenna**
- **H2 Antenna Amplifier for 352 kbps uplink service**
- **Enhanced low elevation angle antenna performance guarantees the most reliable and high throughput in rough seas and high latitudes**
- **Easy installation and simple configuration**
- **Single Coaxial Cable Antenna Connection**
- **Solid-State Reliability**
- **3-Year Global Warranty - Parts and Labour**
- **Cyber Security Enhanced**
– Built-in Firewall and User Threat Management
- **Designed for a 10-year minimum operational lifetime**
- **Lower Total Cost of Ownership**
- **GMDSS Ready**
- **Three high quality voice lines with Soft PBX function**
- **4-Port Ethernet (LAN) PoE and WAN**
- **Simultaneous IP connection for up to 16 SIP handsets**
- **Rack mount version available**

C700 New Iridium Certus Terminal for Iridium NEXT

Technical Specifications

Iridium Services	
Voice	3 simultaneous HD voice lines
IP Data (Background)	Uplink: up to 352 Kbps Downlink: up to 704 Kbps
IP Streaming	Uplink/Downlink: up to 256 Kbps
Short Burst Data	Yes
Physical	
ADU Dimensions	370 x 270 mm / 14.5" x 11.0"
ADU Weight	6.5 kg / 14.3 lb
BDU Dimensions	280 x 183.5 x 41 mm / 11" x 7.2" x 1.45"
BDU Weight	2 kg (stand-alone type) / 4.4 lb
Power	
DC Input	10 ~ 32 V DC
Power (max)	120 W
RF / Antenna	
Tx Frequency	1616 MHz ~ 1626.0 MHz
Rx Frequency	1616 MHz ~ 1626.5 MHz
Antenna Gain	HGA 2 Class
Antenna Connectors	TNC female (ADU) – TNC female (BDU)
GNSS	GPS, GLONAS, Galileo, BeiDou
Wi-Fi	802.11 b/g
Approval	
Type Approval	CE/RED, FCC
Certifications	Iridium
Environmental Conditions	
Operating Temp. range	-25°C ~ + 55°C (ADU) -15°C ~ + 55°C (BDU)
Operating Humidity range	More than 95%
Water Ingress	ADU: IP56, BDU: IP31
Shock & Vibration	Shock: IEC60068-2-27 (operation), IEC60721-3-6 Class 6M3 (survival) Vibration: IEC60945 (operation), IEC60721-3-6 Class 6M3 (survival)
I/O	
Ethernet/WAN	RJ45 (4)
Phone	RJ14 (1)
Wireless	1 Wi-Fi (SMA RP)
I/O	10 pin GPIO
Etc.	SIM, Reset, On/Off, Ground

System Dimension



System Diagram



Global HQ
Innovation Center
Intellian Technologies, Inc
T +82 31 379 1000
F +82 31 377 6185

APAC
Seoul
Intellian Technologies, Inc.
T +82 2 511 2244
F +82 2 511 2235

Americas
Irvine
Intellian Technologies USA, Inc.
T +1 949 727 4498
F +1 949 271 4183
Toll Free +1 888-201-9223

EMEA
Rotterdam
Intellian B.V.
T +31 1 0820 8655
F +31 1 0820 8656