

xylem
Let's Solve Water



Par-Max™ Series

MARINE FRESHWATER DELIVERY PUMPS



a xylem brand

Par-Max™ Series MARINE FRESHWATER DELIVERY PUMPS

Jabco's updated and improved lineup of freshwater supply pumps are designed to provide years of satisfactory service in applications both large and small.

HD (Heavy Duty) models include a wider diameter motor with a powder coated shell, cast aluminum endbells and lower housing to improve pressure capability and life. Available in configurations up to 6 GPM (23 LPM) and 60 PSI (4.1 BAR), these pumps deliver exceptional performance.

Standard models provide good performance in an economical footprint. These configurations are available in 1-3 GPM, perfect for vessels with 1-3 outlets. A plastic housing protects the motors on these units from corrosion.

Features and Benefits:

- Co-molded diaphragm technology for long life and durability
- HD models feature heavy duty, motors and cast aluminum lower housings which allow for long-life, even at high pressures
- Efficient and quiet operation
- Integrated, sealed pressure switch for on-demand operation
- Self-priming allows for installation versatility
- Can run dry without damage
- Quick connect ports for ease of installation, servicing, and maintenance
- Vibration dampening mounting feet
- Equipped with integrated bypass module to reduce cycling and provide smoother flow

| | Par-Max 1 | Par-Max 2 | Par-Max 3 | Par-Max HD3 | Par-Max HD4 | Par-Max HD5 | Par-Max HD6 |
|--|--|--|--|--|---|--|---|
| |  |  |  |  |  |  |  |
| Open Flow | 1 GPM 3.8 LPM | 2 GPM 7.6 LPM | 3 GPM 11 LPM | 3 GPM 11 LPM | 4 GPM 15 LPM | 5 GPM 19 LPM | 6 GPM 23 LPM |
| Voltage Options | 12 VDC | 12 VDC 24 VDC | 12 VDC 24 VDC | 12 VDC | 12 VDC 24 VDC | 12 VDC | 12 VDC 24 VDC |
| Pressure Switch Options | 35 PSI | 35 PSI | 40 PSI 25 PSI | 60 PSI 40 PSI | 60 PSI 40 PSI 25 PSI* | 60 PSI 40 PSI | 60 PSI 40 PSI |
| Quick Connect Strainer | Not included |  Inline 40 mesh |  Inline 40 mesh |  Inline 40 mesh |  Inline 40 mesh |  90° 40 mesh |  90° 40 mesh |
| Quick Connect Straight Hosebarb Fittings |  2 x 3/8"*** |  2 x 1/2" |  2 x 1/2" |  2 x 1/2" |  2 x 1/2" |  2 x 1/2" 2 x 3/4" |  2 x 3/4" |

**Par-Max 1 also includes 2 x 3/8" to 1/2" adapter

Other Available Fittings & Accessories:

See website for part numbers and details

Accumulator Tanks



Used to reduce pump cycling and allow for even smoother water flow. Variety of sizes and configurations available.

Inlet Water Pressure Regulator



Protects system from overpressurized city water.

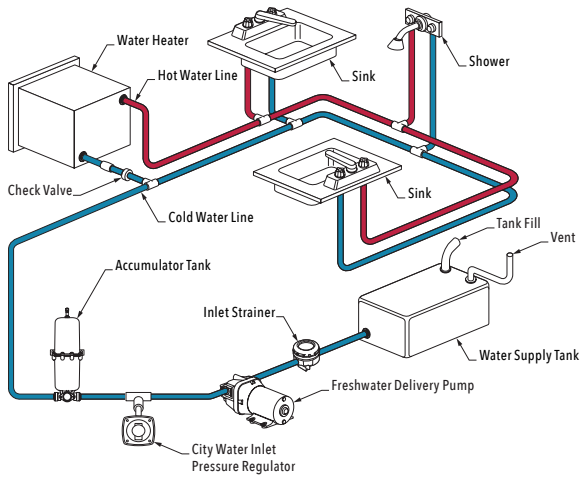
Port Fittings



Options include threaded, 90°, and more.

Par-Max™ Series MARINE FRESHWATER DELIVERY PUMPS

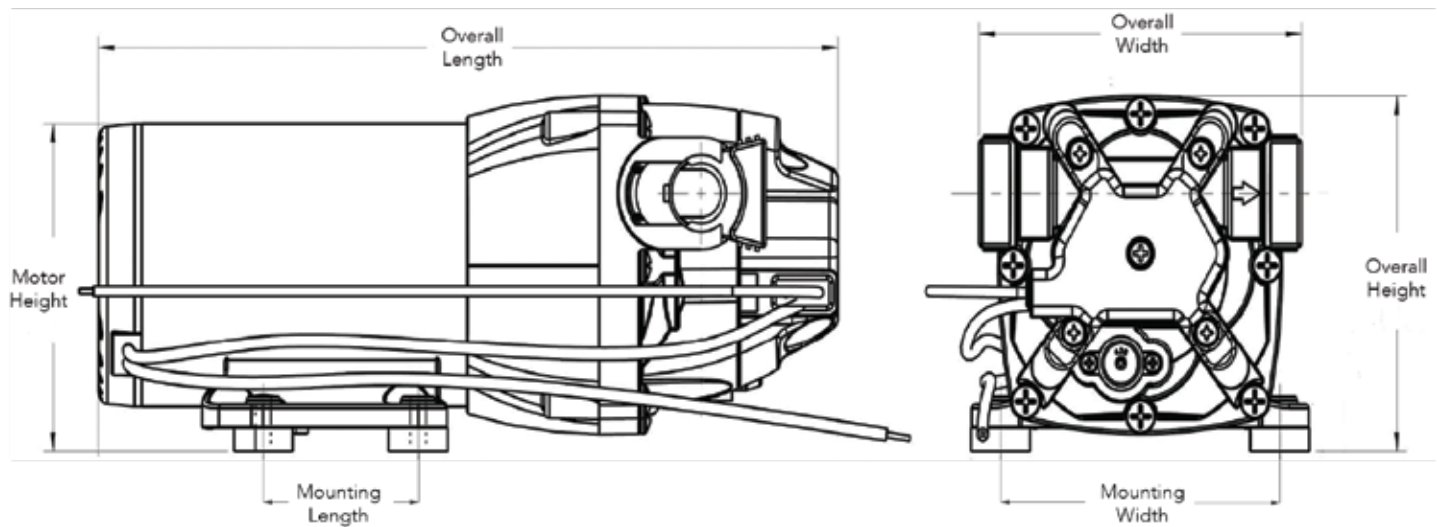
Typical Installation:



Specifications:

| | |
|--|---|
| Motor design | Brushed, permanent magnet TENV |
| Pumphead upper housing material | Glass fiber reinforced polypropylene |
| Diaphragm | Co-molded TPV |
| Check valves | EPDM |
| Max inlet pressure | 30 PSI (2.1 Bar) |
| Fluid temperature range | 32°F - 140°F (0°C - 60°C) |
| Dry self-priming capability | 7ft min (2.13m/min) |
| Certifications | CE, ISO8846, RCM |
| Ingress protection | IPX6 |
| Voltage, flow, pressure, port fittings, etc. | Refer to PN table |
| Other info | Refer to data-sheet. These can be found on website. |

Major Dimensions:



| Model | Overall Length in. (mm) | Overall Width in. (mm) | Overall Height in. (mm) | Motor Height in. (mm) | Mounting Length (ctr to ctr*) in. (mm) | Mounting Width (ctr to ctr*) in. (mm) |
|-------------|----------------------------|---------------------------|----------------------------|--------------------------|--|---|
| Par-Max 1 | 6.5 (165) | 4.0 (102) | 2.7 (69) | 2.4 (61) | 2.2 (56) | 3.3 (84) |
| Par-Max 2 | 9.1 (231) | 4.2 (107) | 4.2 (107) | 3.1 (79) | 2.3 (58) | 3.2 (81) |
| Par-Max 3 | 9.1 (231) | 4.2 (107) | 4.2 (107) | 3.1 (79) | 2.3 (58) | 3.2 (81) |
| Par-Max HD3 | 8.6 (218) | 4.1 (104) | 3.8 (97) | 3.5 (89) | 2.0 (51) | 3.6 (91) |
| Par-Max HD4 | 9.4 (239) | 4.1 (104) | 3.8 (97) | 3.5 (89) | 2.0 (51) | 3.6 (91) |
| Par-Max HD5 | 9.6 (244) | 5.0 (127) | 4.7 (119) | 4.0 (102) | 2.0 (51) | 3.6 (91) |
| Par-Max HD6 | 10.2 (259) | 5.1 (129) | 4.7 (119) | 4.0 (102) | 2.0 (51) | 3.6 (91) |

*ctr = center of mounting hole

Par-Max™ Series MARINE FRESHWATER DELIVERY PUMPS

Configurations & Part Numbers:

| Model | Part # | Open Flow GPM (LPM) | Voltage VDC | Shut-off Pressure PSI (BAR) | Max Current AMPS | Recommended Fuse Size | Port Fittings | Strainer Included | |
|-------------|---------------|------------------------|----------------|-----------------------------------|------------------------|--------------------------|---------------------------------|-------------------------------|-----|
| Par-Max 1 | 42630-3512-3C | 1 (3.8) | 12 | 35 (2.4) | 3.5 | 5 | 2 x 3/8" Straight Hosebarb** | None | |
| Par-Max 2 | 31295-3512-3A | 2 (7.6) | 12 | 35 (2.4) | 6.0 | 10 | 2 x 1/2" Straight Hosebarb | Inline | |
| Par-Max 2 | 31295-3524-3A | 2 (7.6) | 24 | 35 (2.4) | 3.0 | 5 | | Inline | |
| Par-Max 3 | 31395-2512-3A | 3 (11) | 12 | 60 (4.1) | 5.2 | 10 | | Inline | |
| ParMax 3 | 31395-2524-3A | 3 (11) | 24 | 25 (1.7) | 2.6 | 5 | | Inline | |
| Par-Max 3 | 31395-4012-3A | 3 (11) | 12 | 40 (2.8) | 6.2 | 10 | | Inline | |
| Par-Max 3 | 31395-4042-3A | 3 (11) | 24 | 40 (2.8) | 3.1 | 5 | | Inline | |
| Par-Max HD3 | Q301J-115S-3A | 3 (11) | 12 | 40 (2.8) | 8.0 | 15 | | Inline | |
| Par-Max HD3 | Q301J-118S-3A | 3 (11) | 12 | 60 (4.1) | 8.7 | 15 | | Inline | |
| Par-Max HD4 | Q401J-112S-3A | 4 (15) | 12 | 25 (1.7)* | 8.0 | 15 | | Inline | |
| Par-Max HD4 | Q402J-112S-3A | 4 (15) | 24 | 25 (1.7)* | 4.0 | 10 | | Inline | |
| Par-Max HD4 | Q401J-115S-3A | 4 (15) | 12 | 40 (2.8) | 10.0 | 15 | | Inline | |
| Par-Max HD4 | Q402J-115S-3A | 4 (15) | 24 | 40 (2.8) | 5.0 | 10 | | Inline | |
| Par-Max HD4 | Q401J-118S-3A | 4 (15) | 12 | 60 (4.1) | 12.0 | 20 | | Inline | |
| Par-Max HD4 | Q402J-118S-3A | 4 (15) | 24 | 60 (4.1) | 6.0 | 10 | | Inline | |
| Par-Max HD5 | P501J-115S-3A | 5 (19) | 12 | 40 (2.8) | 12.0 | 20 | | 2 x 1/2" Straight Hosebarb | 90° |
| Par-Max HD5 | P501J-118S-3A | 5 (19) | 12 | 60 (4.1) | 13.0 | 20 | | 2 x 3/4" Straight Hosebarb | 90° |
| Par-Max HD6 | P601J-215S-3A | 6 (23) | 12 | 40 (2.8) | 15.0 | 25 | 2 x 3/4" Straight Hosebarb | 90° | |
| Par-Max HD6 | P602J-215S-3A | 6 (23) | 24 | 40 (2.8) | 7.0 | 15 | | 90° | |
| Par-Max HD6 | P601J-218S-3A | 6 (23) | 12 | 60 (4.1) | 18.0 | 25 | | 90° | |
| Par-Max HD6 | P602J-218S-3A | 6 (23) | 24 | 60 (4.1) | 8.0 | 15 | | 90° | |

*EU Only

**Par-Max 1 also includes
2 x 3/8" to 1/2" adapter



Warranty: All products of the company are sold, and all services of the company are offered subject to the company's warranty and terms of sale, copies of which will be furnished upon request. The information provided herein is for guidance only, it does not constitute a guarantee of the performance or specification of any individual product or component.

www.xylem.com/jabsco

| USA | USA | UK | CHINA | GERMANY | ITALY | AUSTRALIA |
|---|---|---|--|---|---|---|
| Xylem Inc. 100 Cummings Center Dr. Suite 535-N Beverly MA, 01915 Tel: +1 978 281 0440 Fax: +1 978 283 2619 | Xylem Inc. 17942 Cowan Irvine, CA 92614 Tel: +1 949 608 3900 Fax: +1 949 608 3887 | Xylem Inc. Bingley Road, Hoddesdon Hertfordshire EN11 0BU Tel: +44 (0) 1992 450145 Fax: +44 (0) 1992 467132 | Xylem Inc. 30/F Tower A 100 Zunyi Road Shanghai, China 200051 Tel: +86 21 2208 2888 Fax: +86 21 2208 2999 | Xylem Inc. Oststrasse 28 22844 Norderstedt Tel: +49 40 53 53 73 0 Fax: +49 40 53 53 73 11 | Xylem Inc. Via Tommaseo, 6 20059 Vimercate, Milano Tel: +39 039 685 2323 Fax: +39 039 666 307 | Xylem Inc. 3/1 Federation Way Moorabbin Airport, VIC 3194 Tel: +61 3 8551 6800 Fax: +61 2 9832 6493 |