



DESIGNED TO MOVE [YOU][®]

AM|FM|WB|USB|Bluetooth[®]
Waterproof Stereo

[JMS3RTL]



KEY FEATURES

- 160 watts (40W x 4)
- Bluetooth streaming audio (A2DP/AVRCP)
- Press and hold Bluetooth button for Quick Pairing in any mode
- Waterproof (IPX6)
- Weatherband
- AM/FM tuner
- Rear USB input for MP3 enabled devices
- Rear AUX input (RCA)
- Line-out audio (RCA)
- Daylight-readable segmented LCD display and LED backlit buttons
- Electronic audio settings (Bass/Treble/Balance/Fader)
- Compact, self-contained design
- Simple user interface
- Conformal coated circuit boards
- UV resistant finishes/materials (ASTM D4329)
- Corrosion resistant materials (ASTM B117)
- FCC/CE certified

MARINE CERTIFIED

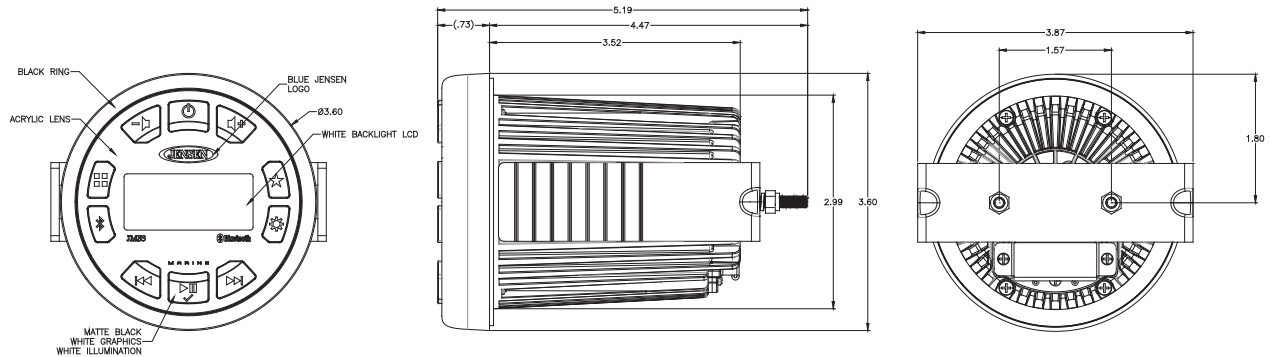
asa
ELECTRONICS
2602 Marina Drive • Elkhart, IN 46514
www.asaelectronics.com



DESIGNED TO MOVE [YOU]®

AM|FM|WB|USB|Bluetooth®
Waterproof Stereo

[JMS3RTL]



Specifications

General Specifications

Power System		12 VDC	
Operating Voltage Range		10 V to 16V	
Current Draw @ 12V	Idle	145 mA	
	Nominal	1.5 A	
	Maximum	10 A	
Operating Temperature Range		-4°F to 149°F	-20°C to 65°C
Storage Temperature Range		-22°F to 158°F	-30°C to 70°C
Maximum Relative Humidity		100%	
Overall Package Dimensions		3.5" Diameter x 4.5" Depth	
Product Weight (unpackaged)		1.2 lbs.	

Performance Specifications

FM Sensitivity		14 dBu	
AM Sensitivity		30 dBu	
Output Power	RMS	15 W x 4	
	Maximum	40 W x 4	
Total Harmonic Distortion		1 %	
Applied Test Suite		ASA ES0001	
Regulatory Certifications		FCC Part 15; CE; RoHS	