



6.5" Coaxial Weatherproof Speaker

MS6007B



PRODUCT FEATURES

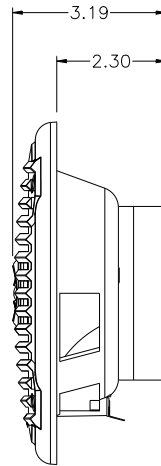
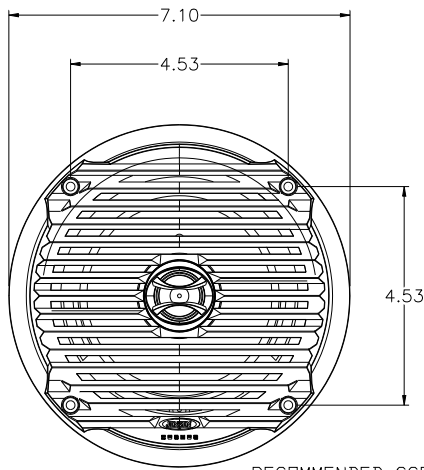
- Max power handling: 60 watts
- Weatherproof
- Sensitivity: 91dB
- Frequency: 79Hz-20kHz
- Nominal impedance: 4 Ohms
- Polypropylene cloth woofer cone: 6.5"
- Tweeter type: Dome
- Tweeter material: Titanium
- Suspension/surround: Rubber
- Voice coil size: 1"
- Magnet: 9.8 oz.
- Mounting hole diameter: 5"
- Mounting depth: 2.3"
- One-piece molded chassis with integrated drip-edge
- Corrosion resistant finishes/materials (ASTM B117)
- UV resistant finishes/materials (ASTM D4329)

DESIGNED TO MOVE [YOU][™]

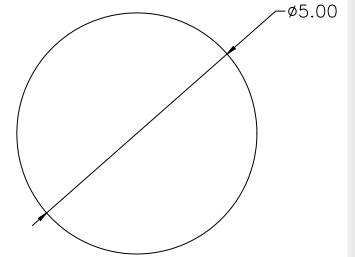
asa
ELECTRONICS[™]
2602 Marina Drive • Elkhart, IN 46514
www.asaelectronics.com



6.5" Coaxial Weatherproof Speaker MS6007B



RECOMMENDED HOLE CUTOUT
+/- TOLERANCE -0 / +.125



RECOMMENDED SCREW SIZE #8 PAN HEAD

Specifications:

General Specifications:

| | | |
|-----------------------|---------------------|------------------|
| Woofer Size | 6.5" | |
| Woofer Material | Grey Poly-propylene | |
| Suspension / Surround | Rubber | |
| Tweeter Type | Dome | |
| Tweeter Material | Titanium | |
| Voice Coil Size | 1" | |
| Magnet Weight | 9.8 Oz | |
| Mounting Depth | 2.3 | |
| Hole Size | 5" | |
| Impedance | 4 ohm | |
| Max RH | 100% | |
| Temperature Range | -30°C - 70°C | -22°F - 158°F |
| Terminal Size | Positive - 1/4" | Negative - 3/16" |

Performance Specifications:

| | | |
|--------------------|------------|--|
| Frequency Response | 75Hz-20KHz | |
| RMS Power Range | 30W | |
| Max Input Power | 60W | |