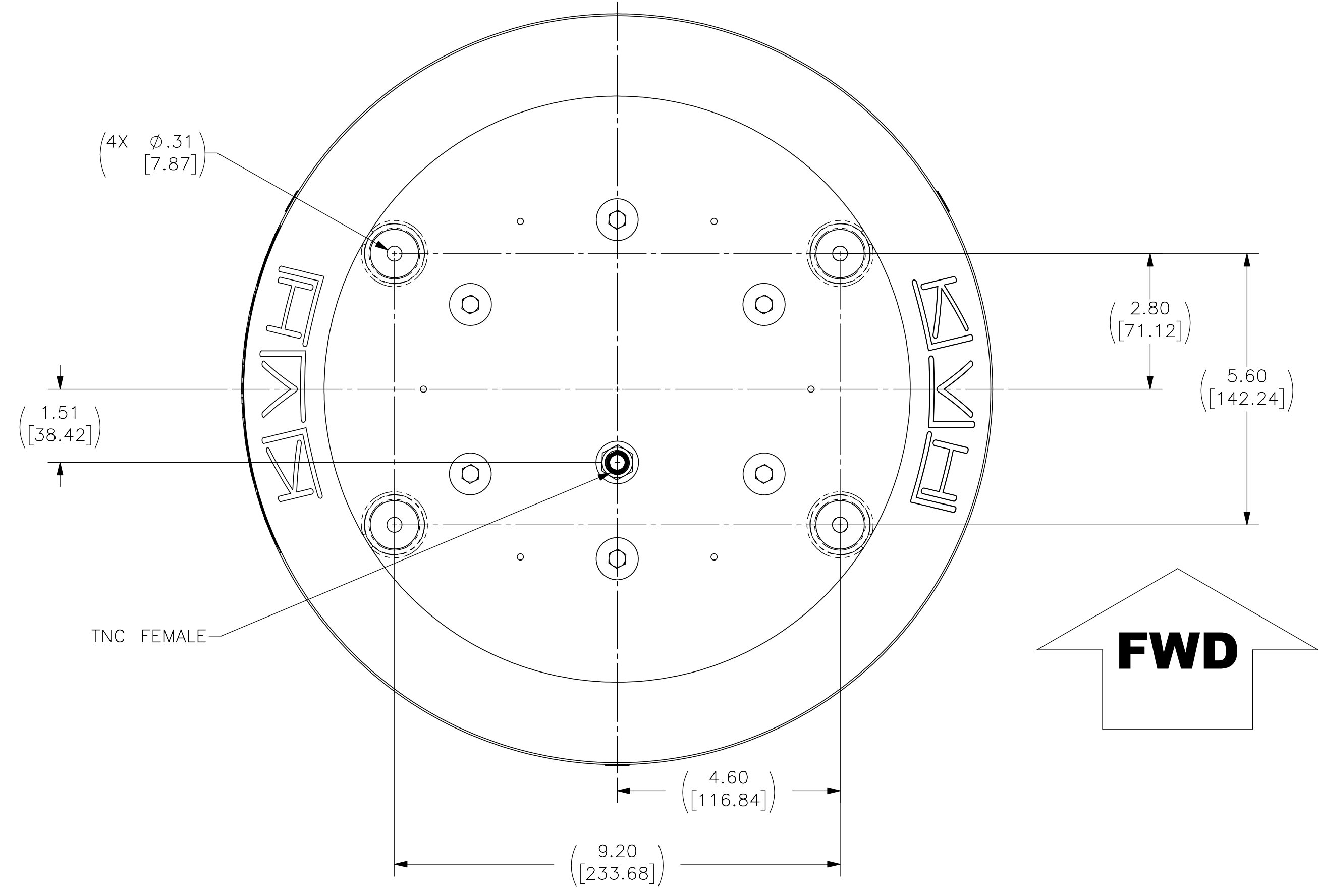
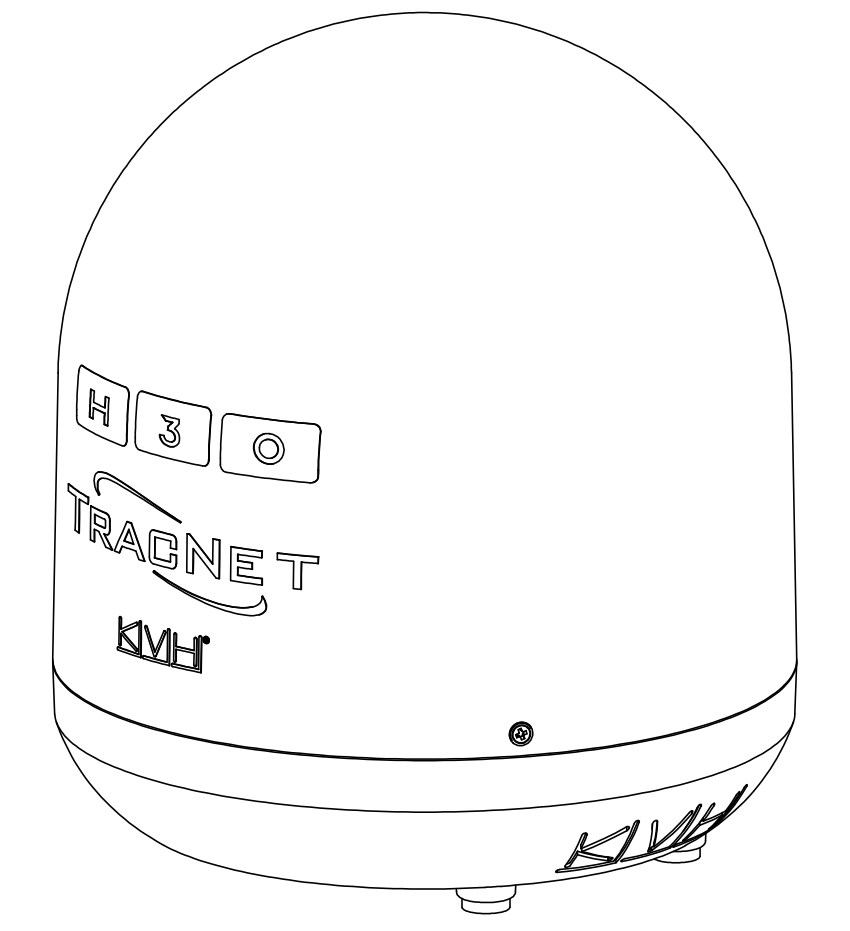
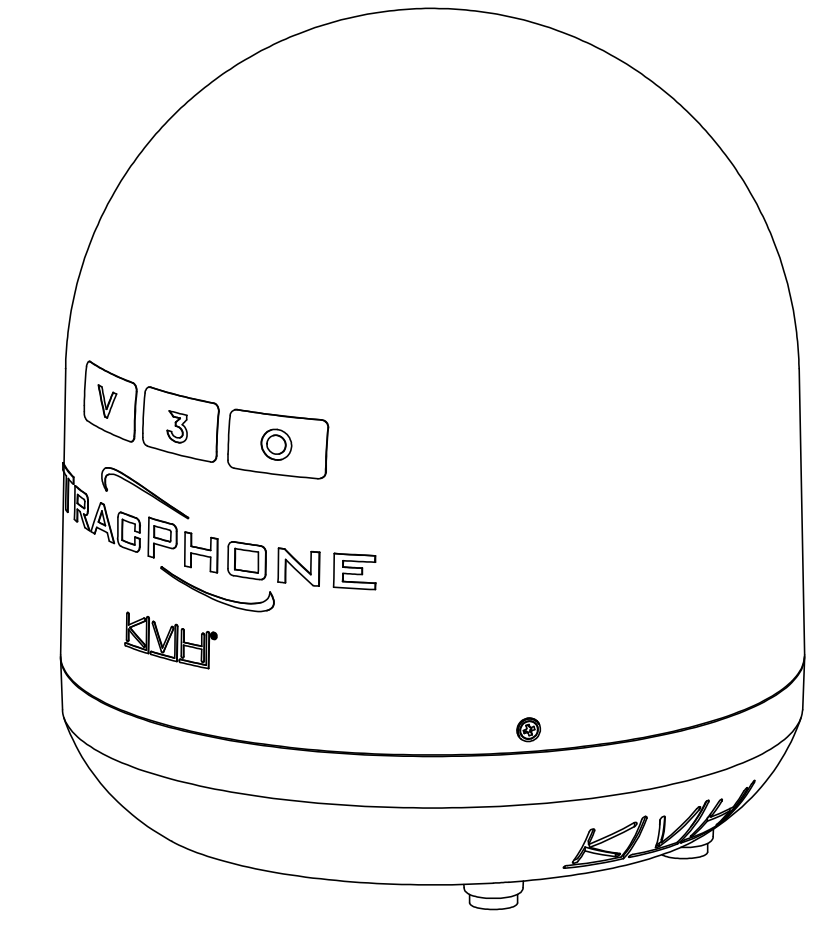
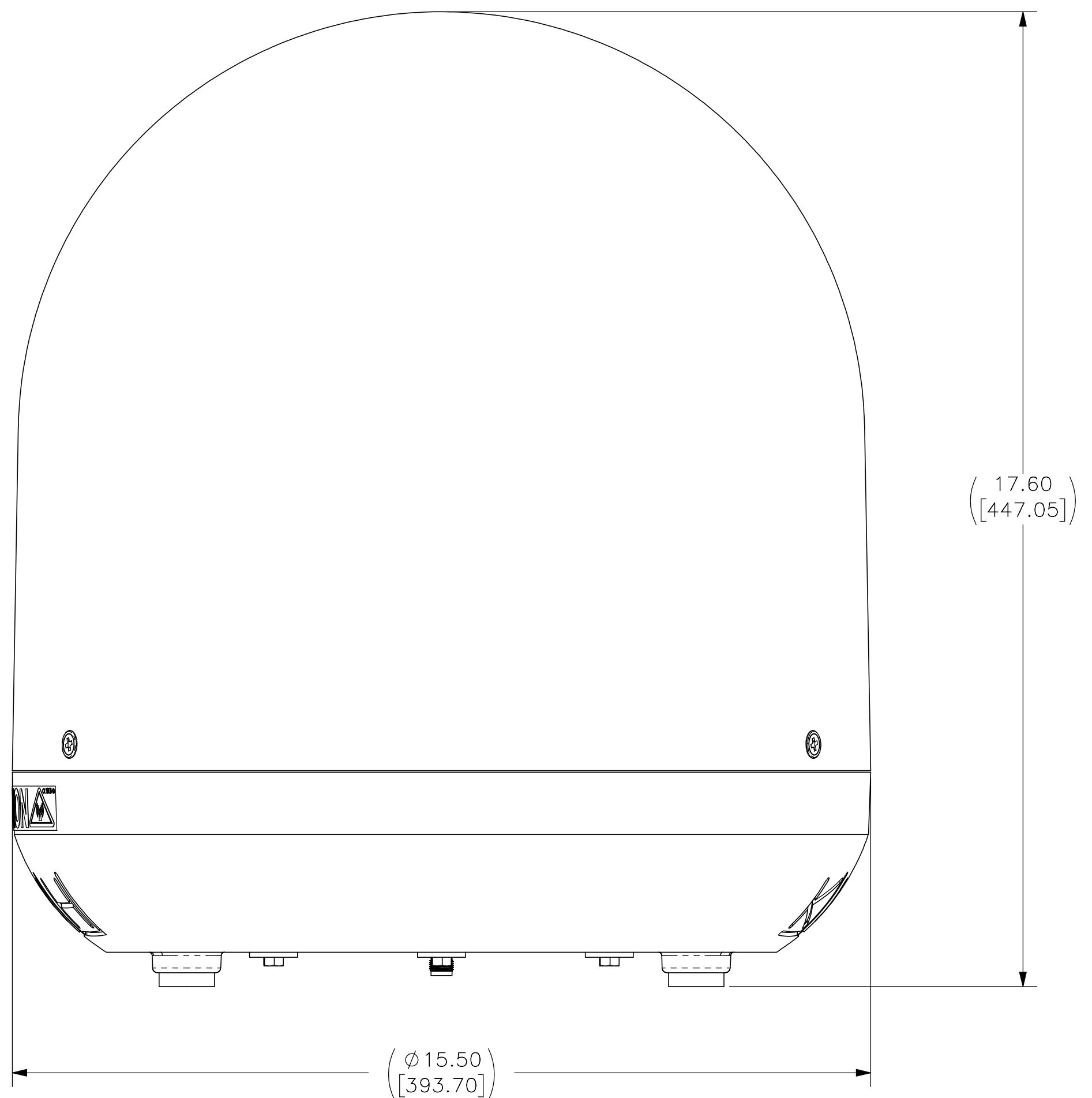
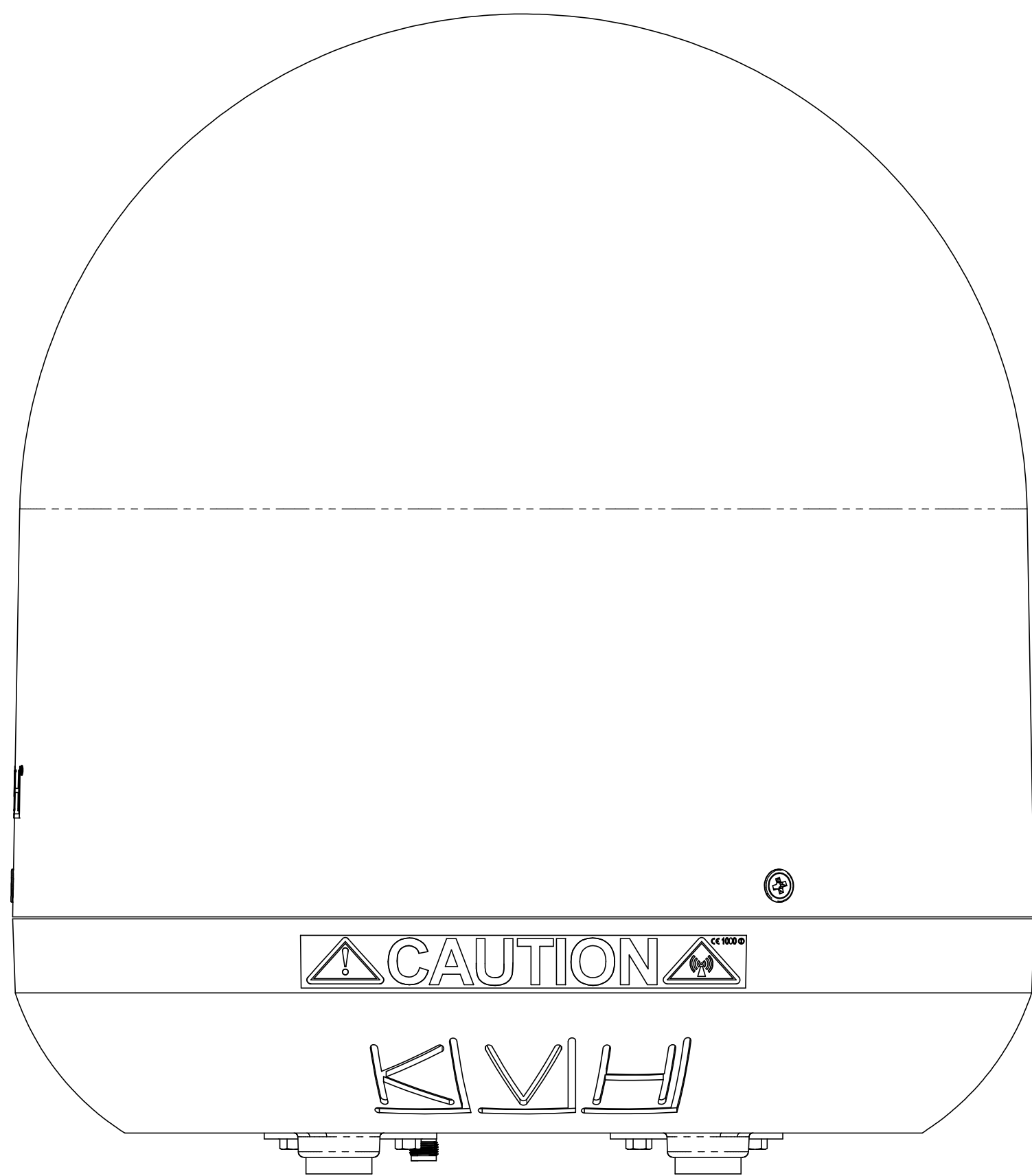


NOTICE: THIS DRAWING AND/OR SPECIFICATION IS THE PROPERTY OF KVH INDUSTRIES. ALL INFORMATION CONTAINED HEREIN WHICH IS NOT KNOWN GENERALLY IN THE FIELD OF KVH SHALL BE CONFIDENTIAL EXCEPT TO ANY EXTENT TO WHICH IT IS ESTABLISHED TO HAVE BEEN KNOWN PREVIOUSLY FROM SOURCES OTHER THAN KVH. THIS DRAWING AND/OR SPECIFICATION MAY NOT BE REPRODUCED, COPIED OR USED AS THE BASIS FOR THE MANUFACTURE OR SALE OF APPARATUS WITHOUT WRITTEN PERMISSION

REVISIONS				
ZONE	REV.	DESCRIPTION	DATE	APPROVED
-	A0	RELEASED PER ECO 13449	3/24/21	M. STOLYAR
-	A1	REVISED PER ECO 14106	6/15/22	M. STOLYAR

CHANGES TO THIS DRAWING MUST BE INCORPORATED IN THE APPLICABLE KVH SOLID MODEL



- NOTES:
UNLESS OTHERWISE SPECIFIED:
- WEIGHT: 25 LBS. [11.3 Kg].
 - ANTENNA MOUNTING FASTENERS: $\phi 1/4$ -20 HEX HEAD SCREWS
 - ALL DIMENSIONS ARE FOR REFERENCE ONLY.
 - ALL DIMENSIONS AND WEIGHT ARE SUBJECT TO CHANGE.

THIRD ANGLE PROJECTION	UNLESS OTHERWISE SPECIFIED DIMENSIONS ARE IN INCHES	CONTRACT NO.	KVH Industries, Inc.	
	TOLERANCES ARE: FRACTIONS DECIMALS ANGLES ± .005 ± .001 ± .001	V30/H30	Middletown, Rhode Island 02842	
INTERPRET DRAWING IN ACCORDANCE WITH ANSI/ASME Y14.5-2009	FINISH	APPROVALS	DATE	V30/H30 ANTENNA ENVELOPE DRAWING
	DO NOT SCALE DRAWING	SEE NOTE 1	2/11/21	
	QUALITY	SIZE	CAGE CODE	DWG NO.
	SEE NOTE 2	D	72197	99-0435
	MANUFACTURING	SCALE: 1:4		REV. A1
	SEE LATEST ECO			SHEET 1 OF 1