

Pre-wired Cable Exit  $\varnothing 5,5\text{mm}$  shielded marine cable

Mounting hole M6x1

Green 112,5°

101-001 1nm stb side light Vertical Mount

DRAWING NO.: 101-001AA	REV. NO.: 0	SIZE: A3	DRAWN BY: Sergio
SCALE: 1:1	TOLERANCES: DS/ISO 2768-f	REVIEWED BY: PHC	CREATION DATE: 23-04-2018

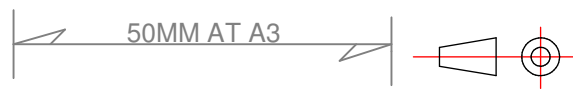
MATERIAL DESCRIPTION:  
Aluminium, Acrylic

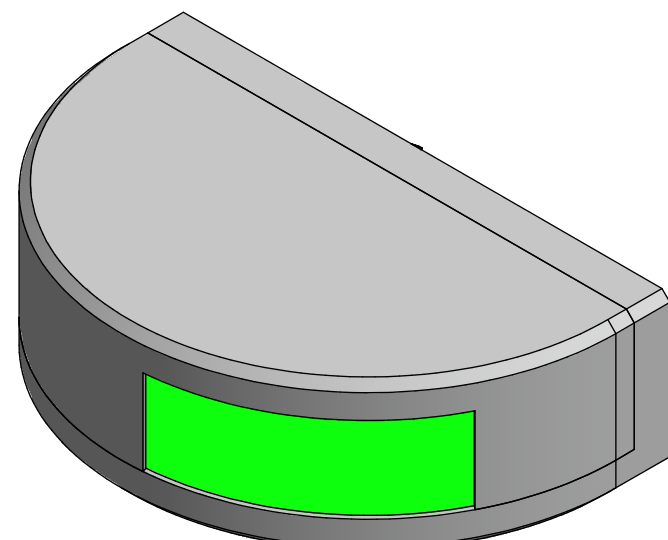
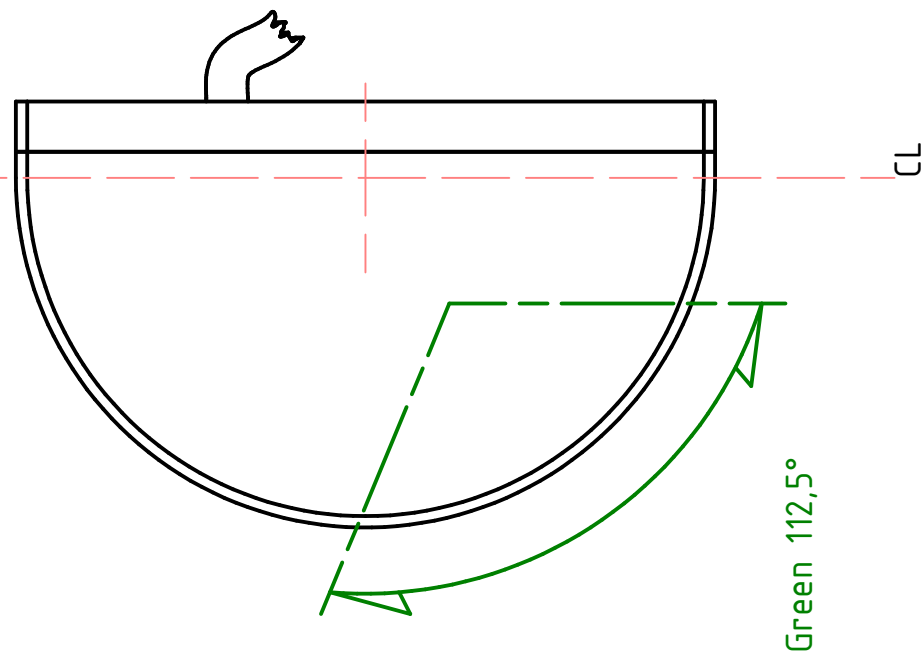
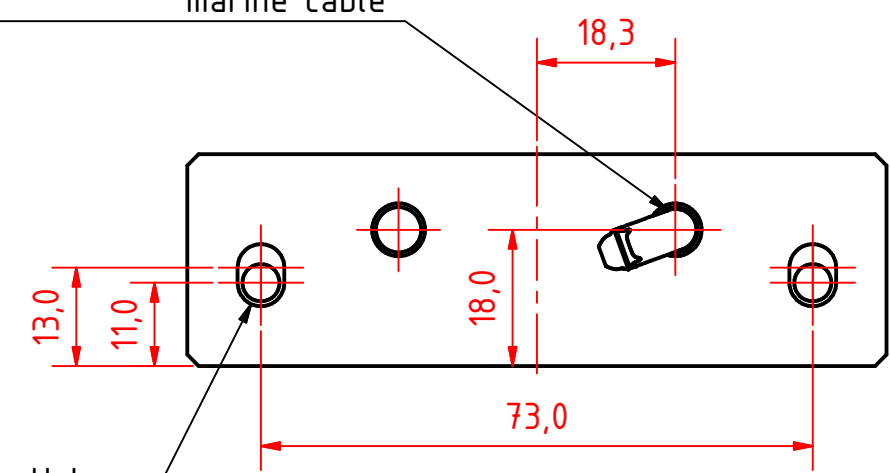
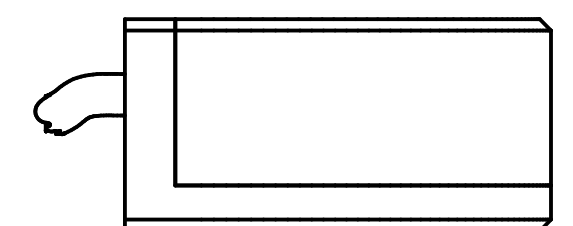
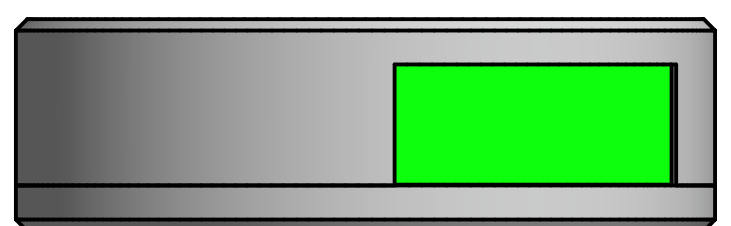
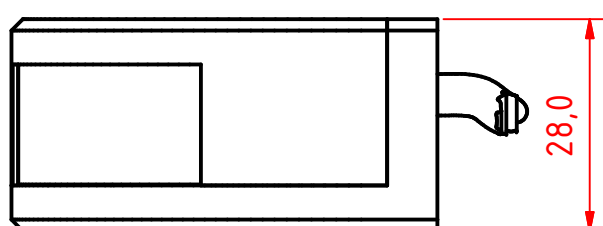
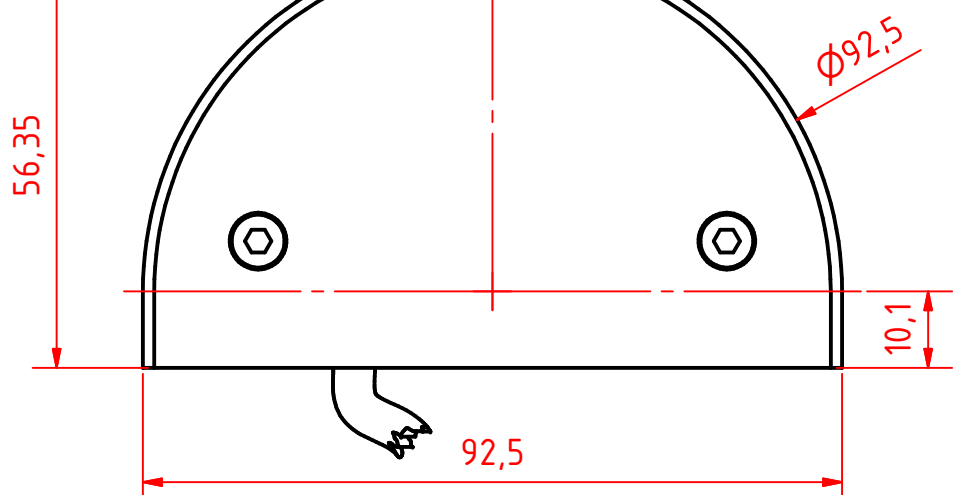
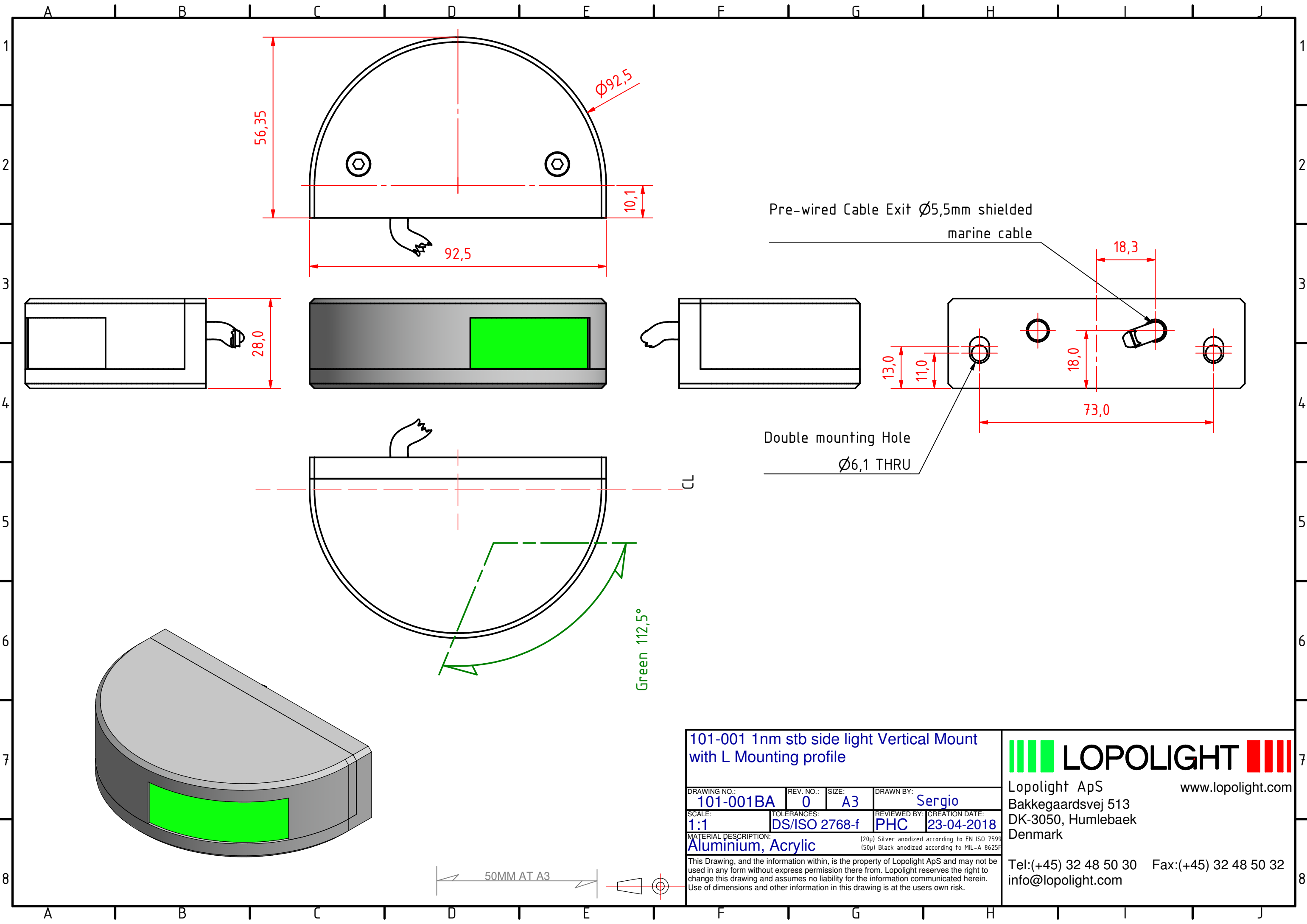
(20 $\mu$ ) Silver anodized according to EN ISO 7599  
(50 $\mu$ ) Black anodized according to MIL-A 8625F  
This Drawing, and the information within, is the property of Lopolight ApS and may not be used in any form without express permission there from. Lopolight reserves the right to change this drawing and assumes no liability for the information communicated herein. Use of dimensions and other information in this drawing is at the users own risk.



Lopolight ApS  
Bakkegaardsvej 513  
DK-3050, Humlebaek  
Denmark

Tel:(+45) 32 48 50 30 Fax:(+45) 32 48 50 32  
info@lopolight.com





Pre-wired Cable Exit  $\phi 5,5$ mm shielded marine cable

Double mounting Hole  $\phi 6,1$  THRU

CL

**101-001 1nm stb side light Vertical Mount with L Mounting profile**

DRAWING NO.: <b>101-001BA</b>	REV. NO.: <b>0</b>	SIZE: <b>A3</b>	DRAWN BY: <b>Sergio</b>
SCALE: <b>1:1</b>	TOLERANCES: <b>DS/ISO 2768-f</b>	REVIEWED BY: <b>PHC</b>	CREATION DATE: <b>23-04-2018</b>

MATERIAL DESCRIPTION:  
**Aluminium, Acrylic**

(20 $\mu$ ) Silver anodized according to EN ISO 7599  
(50 $\mu$ ) Black anodized according to MIL-A 8625F  
This Drawing, and the information within, is the property of Lopolight ApS and may not be used in any form without express permission there from. Lopolight reserves the right to change this drawing and assumes no liability for the information communicated herein. Use of dimensions and other information in this drawing is at the users own risk.



**LOPOLIGHT**  
Lopolight ApS  
Bakkegaardsvej 513  
DK-3050, Humlebaek  
Denmark  
www.lopolight.com

Tel:(+45) 32 48 50 30 Fax:(+45) 32 48 50 32  
info@lopolight.com

