

Mounting holes (Mount from top)

3XØ4,4 [Ø0,173]

Ø80 [Ø3,15]

Ø92,5 [Ø3,642]

27,06 [1,066]

0 [0]

58 [2,283]

36 [1,417]

8 [0,315]

0 [0]

0 [0]  
1,48 [0,058]

White 360°

Dimensions : Millimetres [Inches]  
Estimated weight:0,6 kg (1,32 lbs)

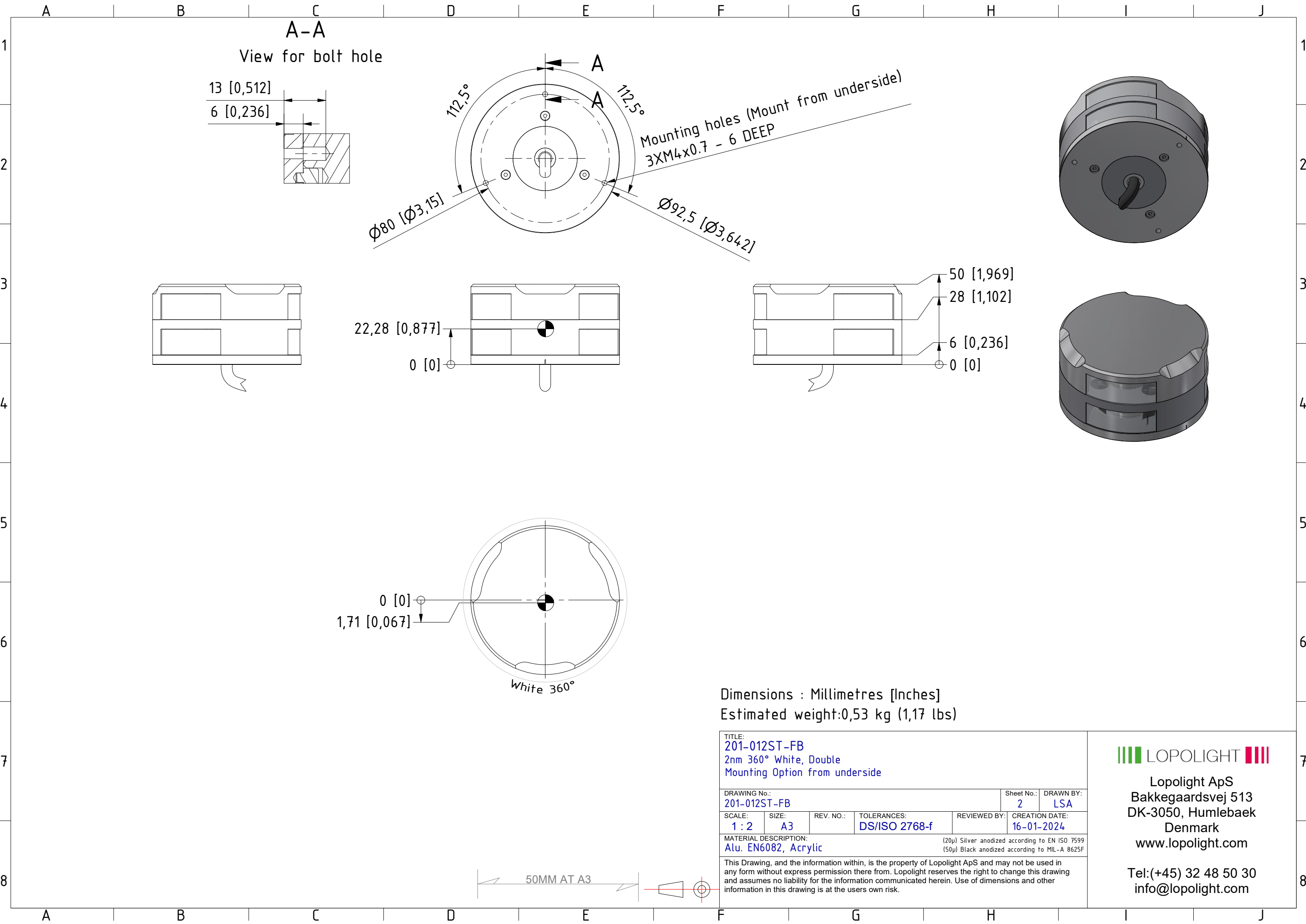
TITLE: 201-012ST-FB 2nm 360° White, Double Mounting Option from Top (Standard)					
DRAWING No.: 201-012ST-FB				Sheet No.: 1	DRAWN BY: LSA
SCALE: 1 : 2	SIZE: A3	REV. NO.:	TOLERANCES: DS/ISO 2768-f	REVIEWED BY:	CREATION DATE: 16-01-2024
MATERIAL DESCRIPTION: Alu. EN6082, Acrylic, POM <small>(20µ) Silver anodized according to EN ISO 7599 (50µ) Black anodized according to MIL-A 8625F</small>					

This Drawing, and the information within, is the property of Lopolight ApS and may not be used in any form without express permission there from. Lopolight reserves the right to change this drawing and assumes no liability for the information communicated herein. Use of dimensions and other information in this drawing is at the users own risk.



Lopolight ApS  
Bakkegaardsvej 513  
DK-3050, Humlebaek  
Denmark  
www.lopolight.com

Tel:(+45) 32 48 50 30  
info@lopolight.com



Lopolight ApS  
Bakkegaardsvej 513  
DK-3050, Humlebaek  
Denmark  
www.lopolight.com

Tel:(+45) 32 48 50 30  
info@lopolight.com