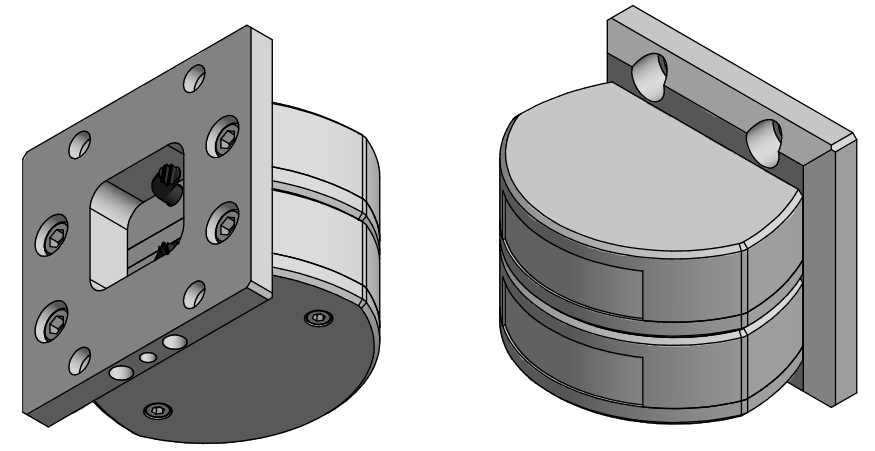
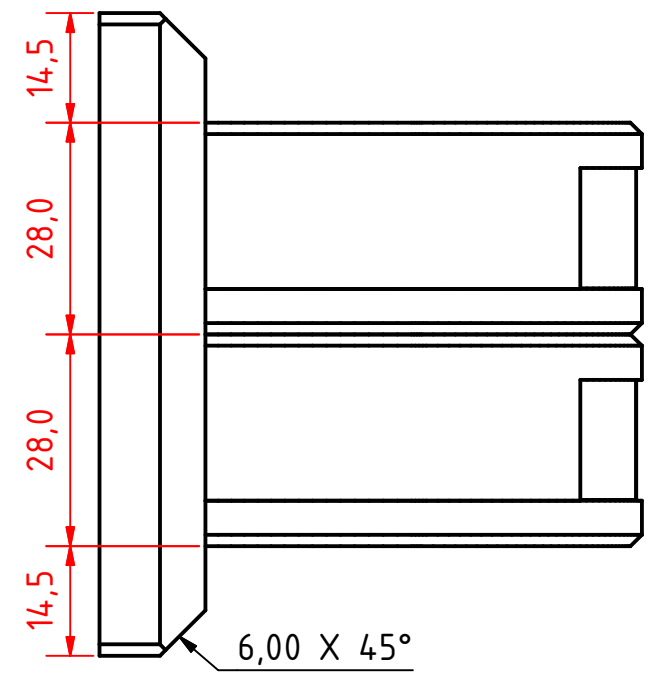
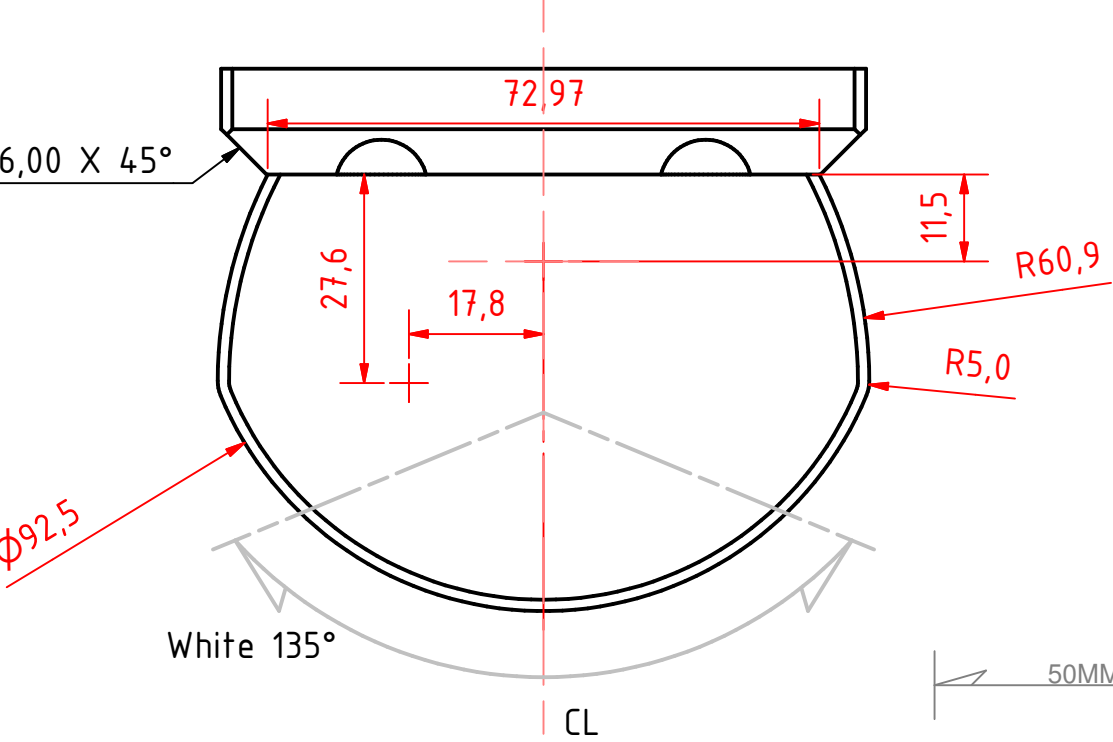
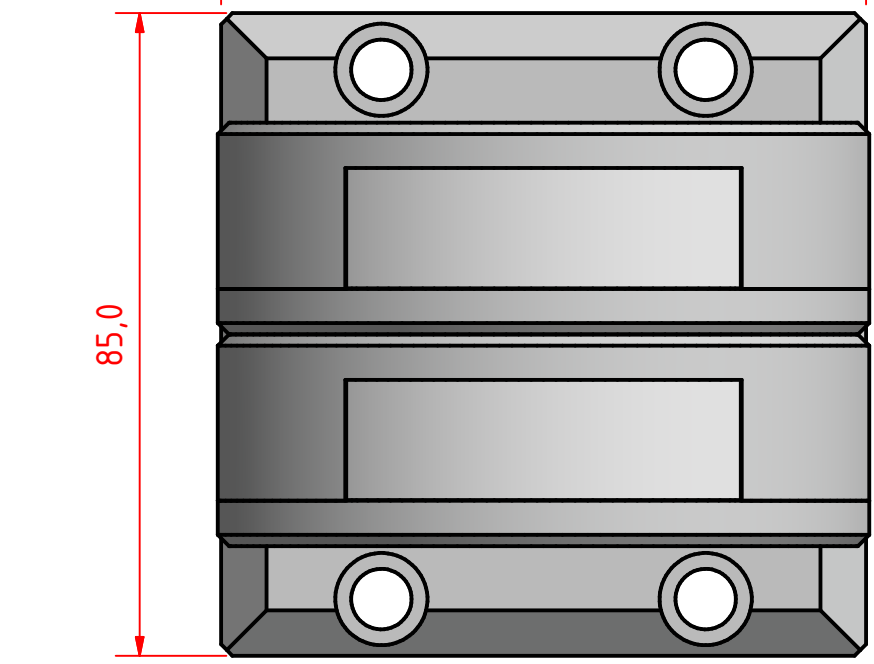
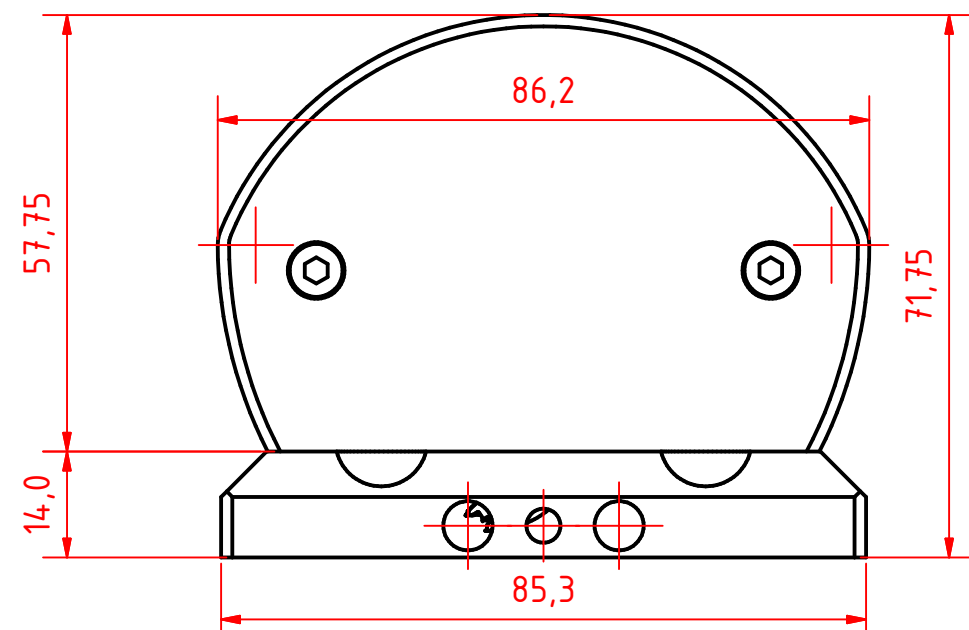
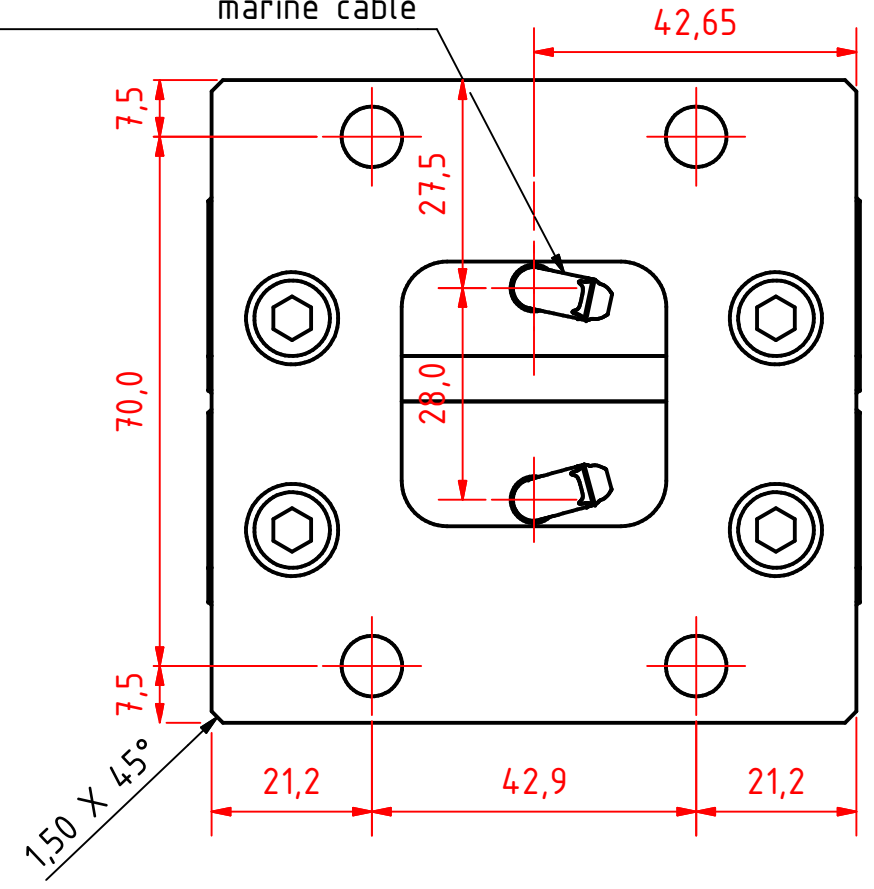


A B C D E F G H I J

1
2
3
4
5
6
7
8

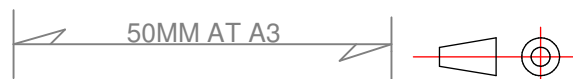


Pre-wired Cable Exit $\varnothing 5,5\text{mm}$ shielded marine cable



301-006ST 2nm double stern light Vertical Mount on a 902-015 mounting plate			
DRAWING NO.: 301-006AB	REV. NO.: 0	SIZE: A3	DRAWN BY: Sergio
SCALE: 1:1	TOLERANCES: DS/ISO 2768-f	REVIEWED BY: PHC	CREATION DATE: 03-05-2018
MATERIAL DESCRIPTION: EN 6082, Acrylic			
<small>(20µ) Silver anodized according to EN ISO 7599 (50µ) Black anodized according to MIL-A 8625F</small>			
<small>This Drawing, and the information within, is the property of Lopolight ApS and may not be used in any form without express permission there from. Lopolight reserves the right to change this drawing and assumes no liability for the information communicated herein. Use of dimensions and other information in this drawing is at the users own risk.</small>			

LOPOLIGHT
 Lopolight ApS
 Bakkegaardsvej 513
 DK-3050, Humlebaek
 Denmark
 Tel:(+45) 32 48 50 30 Fax:(+45) 32 48 50 32
 info@lopolight.com
 www.lopolight.com



A B C D E F G H I J