

Rev2 10/05/2019 Delete the Sheet IA, put back the PE base plate instead the Alu one and add the text PRO Series on the sheet HA.  
 Rev1 29/03/2019 Replace the 400-404 PE base for the 400-401 Alu base

**301-105 3nm stern light HM, on a 400-034 Promount base, Cable Side**

|              |               |              |                |
|--------------|---------------|--------------|----------------|
| DRAWING NO.: | REV. NO.:     | SIZE:        | DRAWN BY:      |
| 301-105AA    | 2             | A3           | Sergio         |
| SCALE:       | TOLERANCES:   | REVIEWED BY: | CREATION DATE: |
| 1:1          | DS/ISO 2768-f | PHC          | 24-04-2018     |

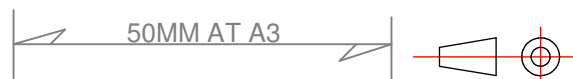
MATERIAL DESCRIPTION:  
 EN 6082, Acrylic (20µ) Silver anodized according to EN ISO 7599 (50µ) Black anodized according to MIL-A 8625F

This Drawing, and the information within, is the property of Lopolight ApS and may not be used in any form without express permission there from. Lopolight reserves the right to change this drawing and assumes no liability for the information communicated herein. Use of dimensions and other information in this drawing is at the users own risk.



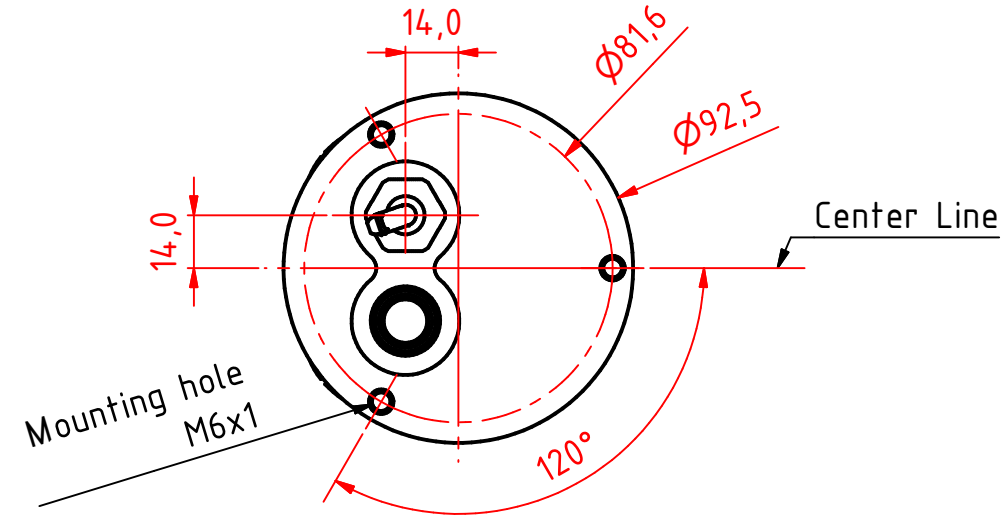
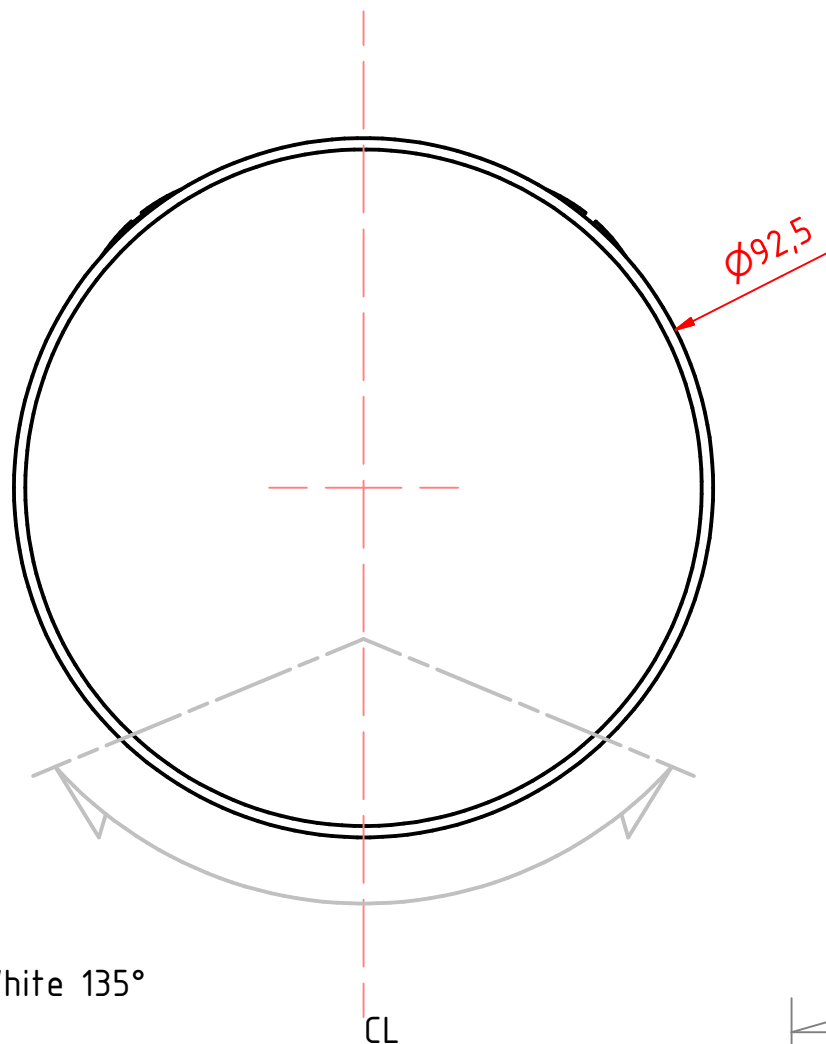
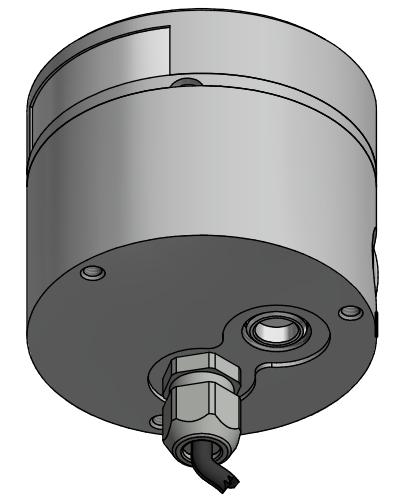
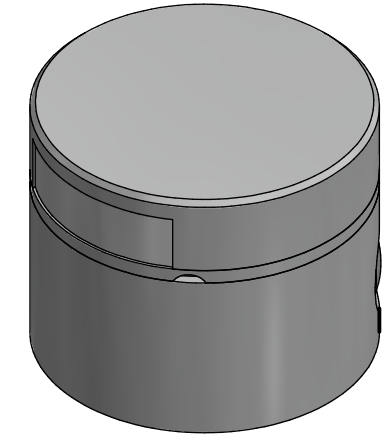
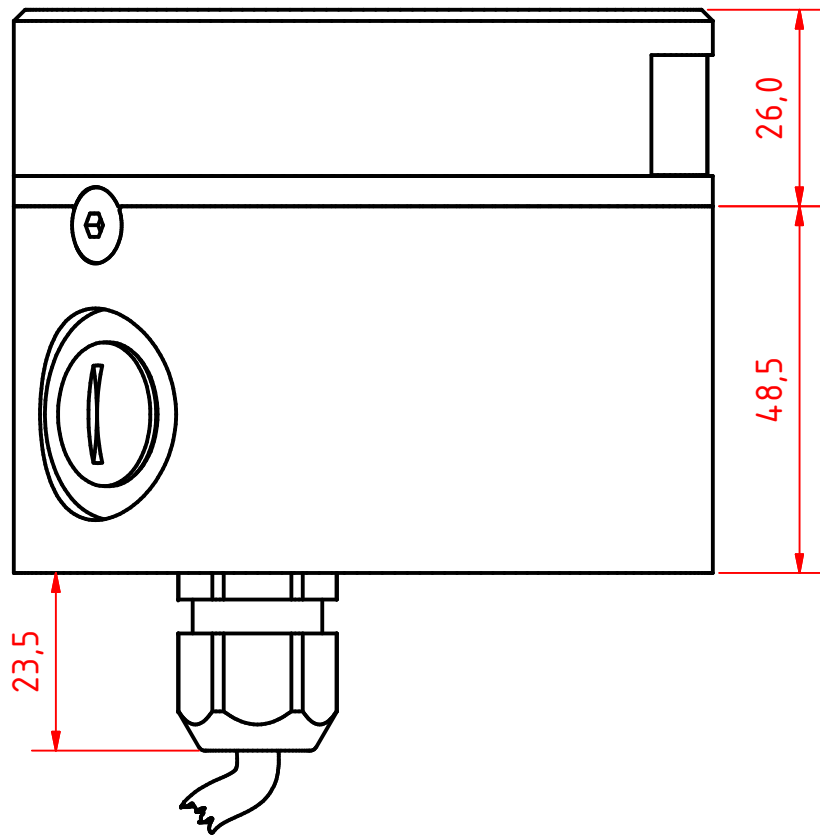
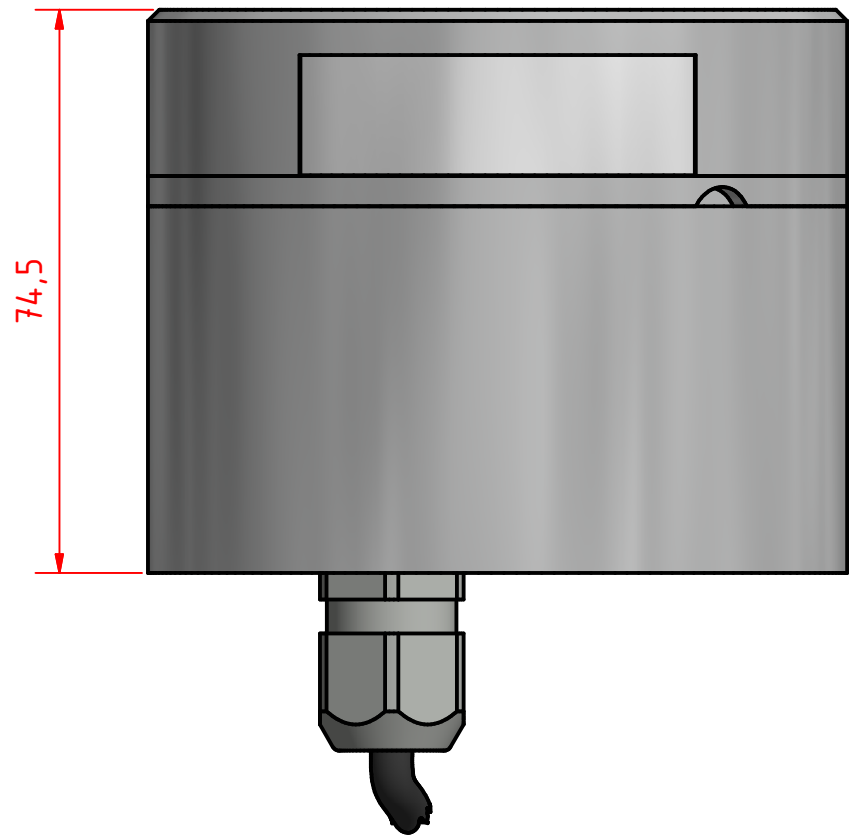
Lopolight ApS  
 Bakkegaardsvej 513  
 DK-3050, Humlebaek  
 Denmark  
[www.lopolight.com](http://www.lopolight.com)

Tel:(+45) 32 48 50 30 Fax:(+45) 32 48 50 32  
 info@lopolight.com



A B C D E F G H I J

1  
2  
3  
4  
5  
6  
7  
8



Rev2 10/05/2019 Delete the Sheet IA, put back the PE base plate instead the Alu one and add the text PRO Series on the sheet HA.  
 Rev1 29/03/2019 Replace the 400-404 PE base for the 400-401 Alu base

**301-105 3nm stern light HM, on a 400-034 Promount base, Cable Down**

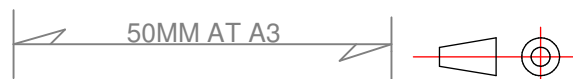
|  |                                     |                            |                                     |
|--|-------------------------------------|----------------------------|-------------------------------------|
| DRAWING NO.:<br><b>301-105BA</b>                 | REV. NO.:<br><b>2</b>               | SIZE:<br><b>A3</b>         | DRAWN BY:<br><b>Sergio</b>          |
| SCALE:<br><b>1:1</b>                             | TOLERANCES:<br><b>DS/ISO 2768-f</b> | REVIEWED BY:<br><b>PHC</b> | CREATION DATE:<br><b>24-04-2018</b> |
| MATERIAL DESCRIPTION:<br><b>EN 6082, Acrylic</b> |                                     |                            |                                     |

This Drawing, and the information within, is the property of Lopolight ApS and may not be used in any form without express permission there from. Lopolight reserves the right to change this drawing and assumes no liability for the information communicated herein. Use of dimensions and other information in this drawing is at the users own risk.



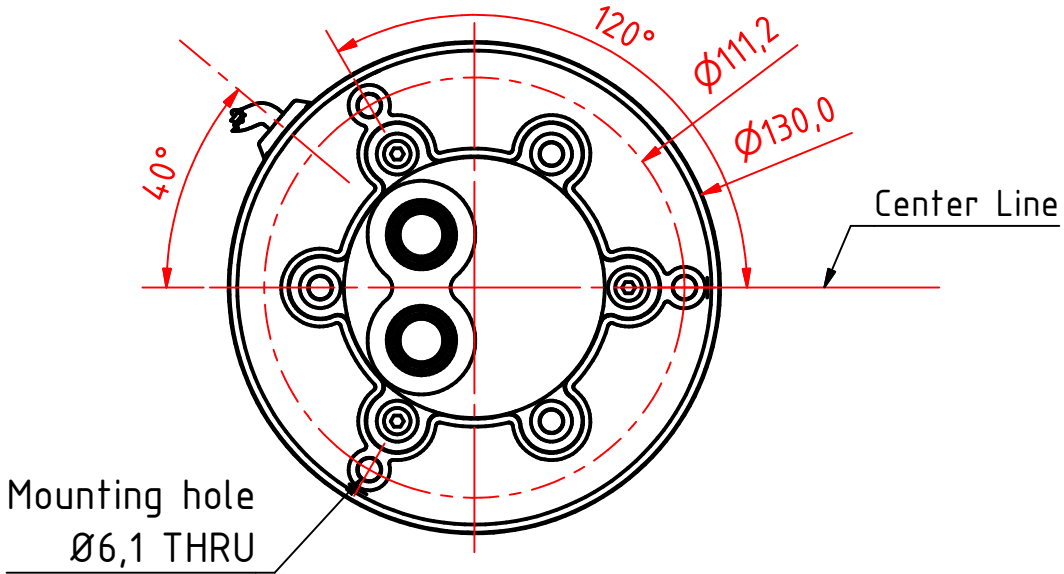
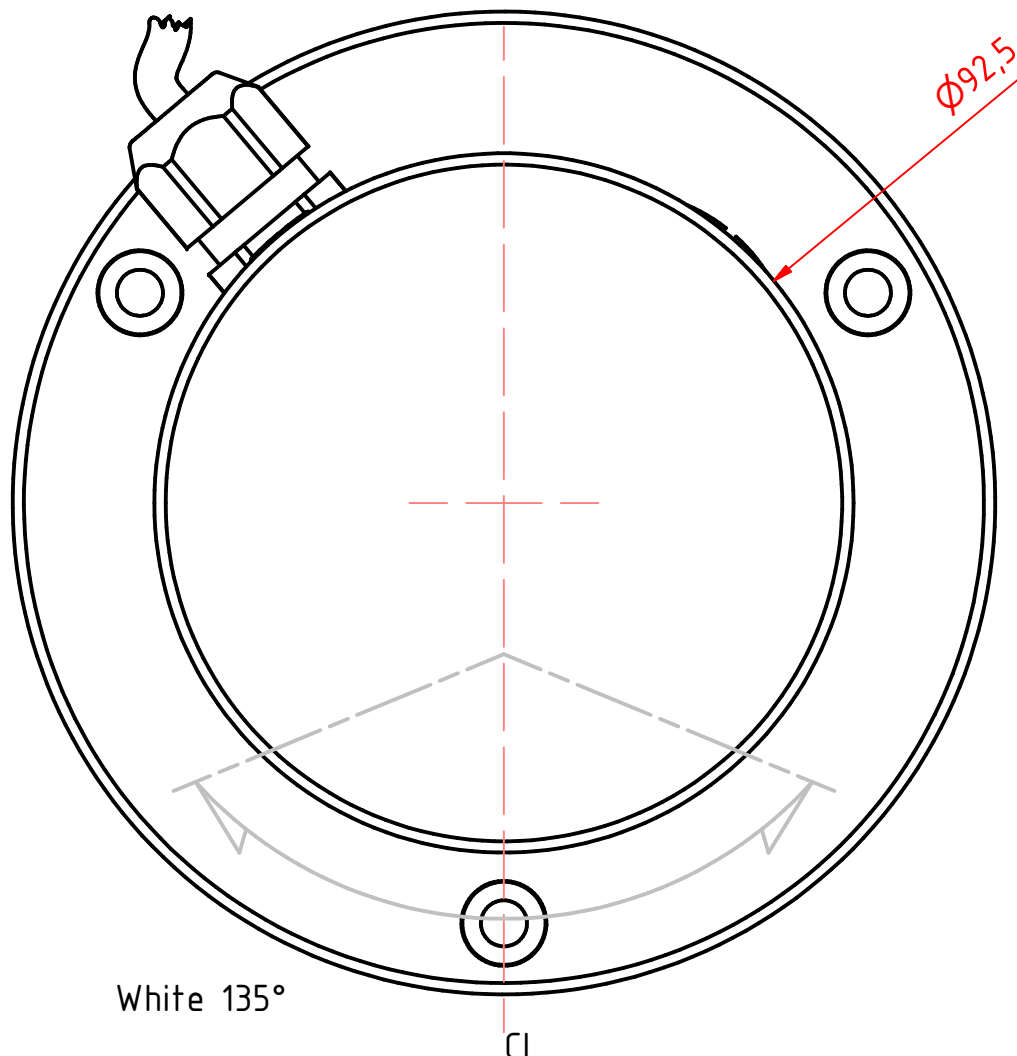
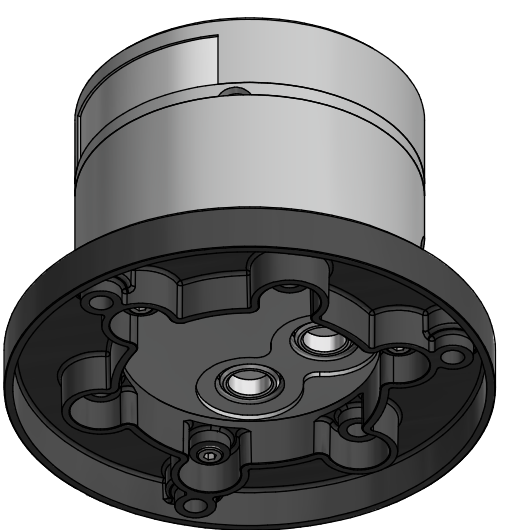
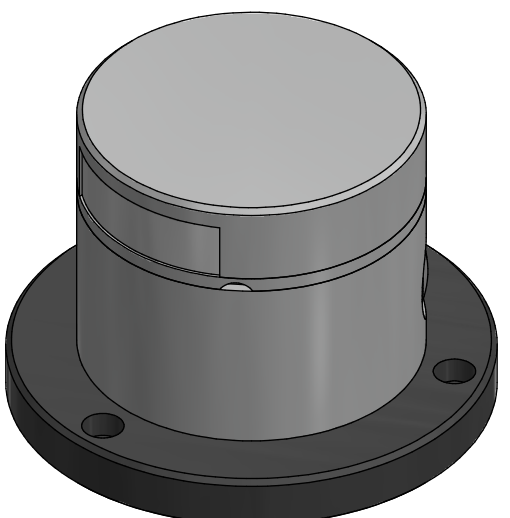
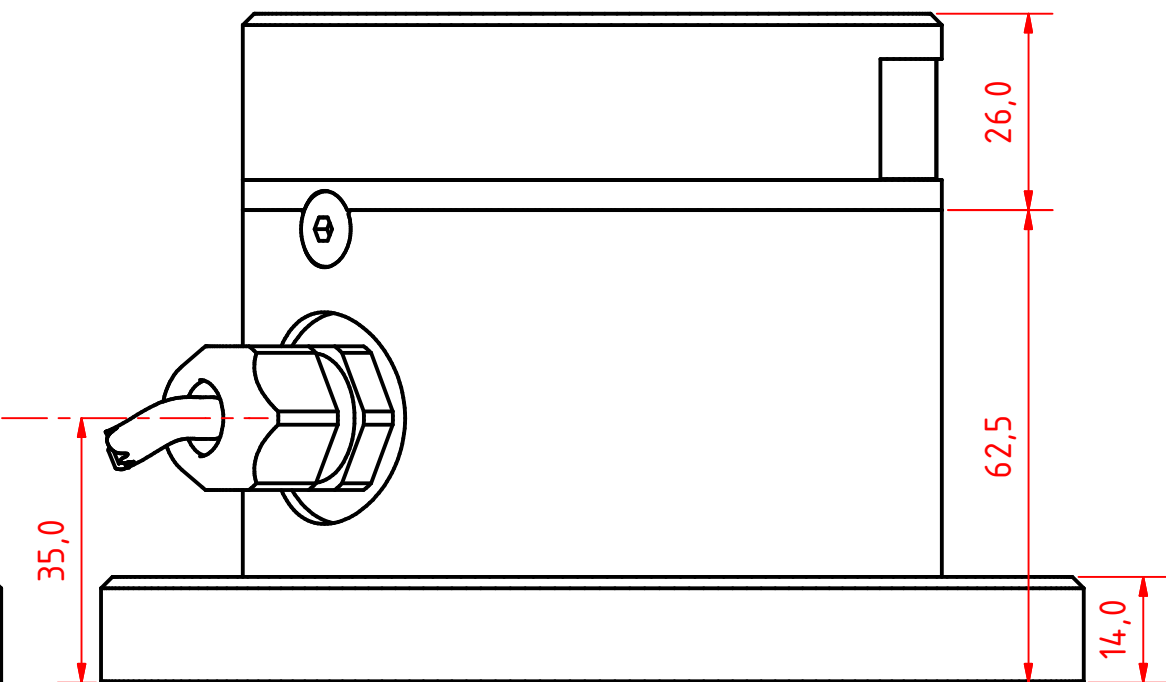
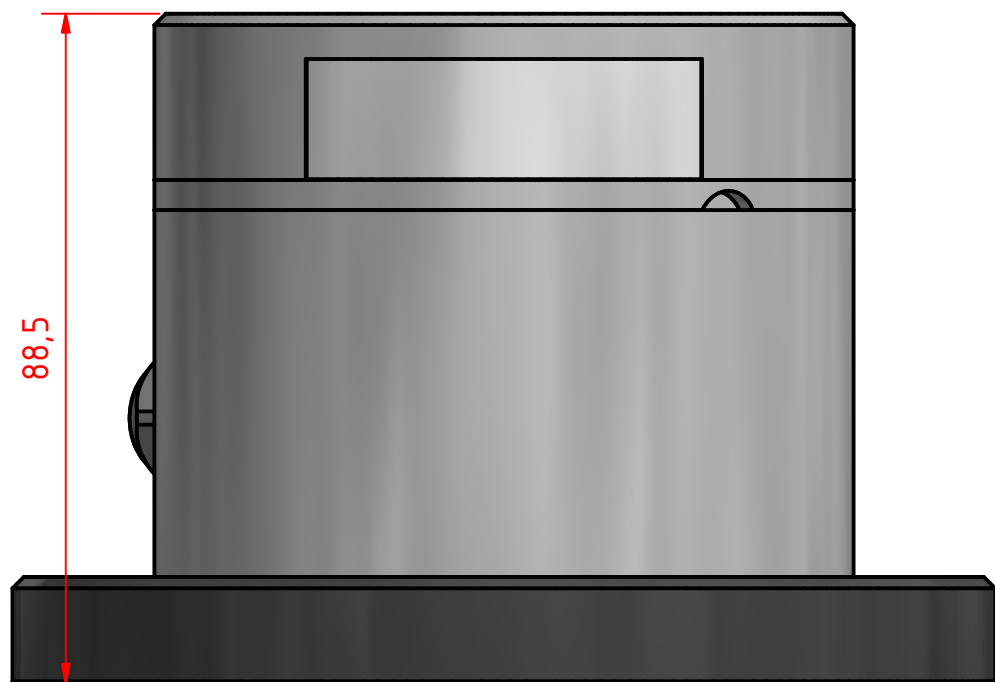
**Lopolight ApS**  
 Bakkegaardsvej 513  
 DK-3050, Humlebaek  
 Denmark

Tel:(+45) 32 48 50 30 Fax:(+45) 32 48 50 32  
 info@lopolight.com



A B C D E F G H I J

1  
2  
3  
4  
5  
6  
7  
8



Rev2 10/05/2019 Delete the Sheet IA, put back the PE base plate instead the Alu one and add the text PRO Series on the sheet HA.  
 Rev1 29/03/2019 Replace the 400-404 PE base for the 400-401 Alu base

**301-105 3nm stern light HM, on a 400-034 Promount base and 400-404 PE base plate, Cable Side**

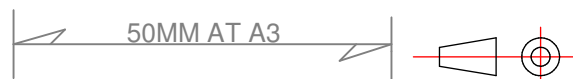
|  |                                     |                            |                                     |
|--|-------------------------------------|----------------------------|-------------------------------------|
| DRAWING NO.:<br><b>301-105CA</b>                     | REV. NO.:<br><b>2</b>               | SIZE:<br><b>A3</b>         | DRAWN BY:<br><b>Sergio</b>          |
| SCALE:<br><b>1:1</b>                                 | TOLERANCES:<br><b>DS/ISO 2768-f</b> | REVIEWED BY:<br><b>PHC</b> | CREATION DATE:<br><b>24-04-2018</b> |
| MATERIAL DESCRIPTION:<br><b>EN 6082, Acrylic, PE</b> |                                     |                            |                                     |

This Drawing, and the information within, is the property of Lopolight ApS and may not be used in any form without express permission there from. Lopolight reserves the right to change this drawing and assumes no liability for the information communicated herein. Use of dimensions and other information in this drawing is at the users own risk.



Lopolight ApS  
 Bakkegaardsvej 513  
 DK-3050, Humlebaek  
 Denmark

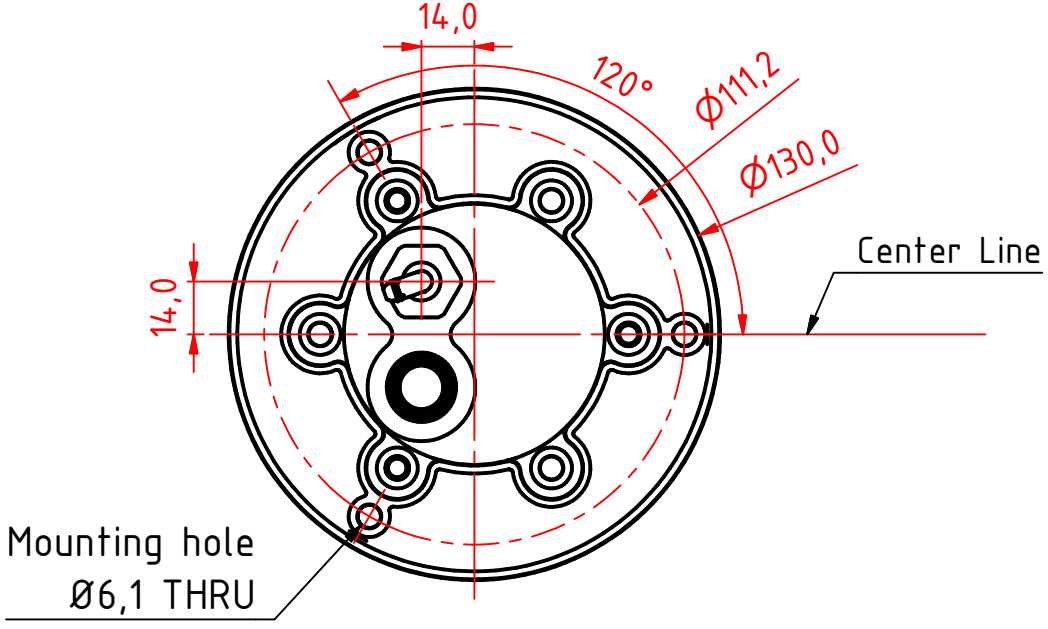
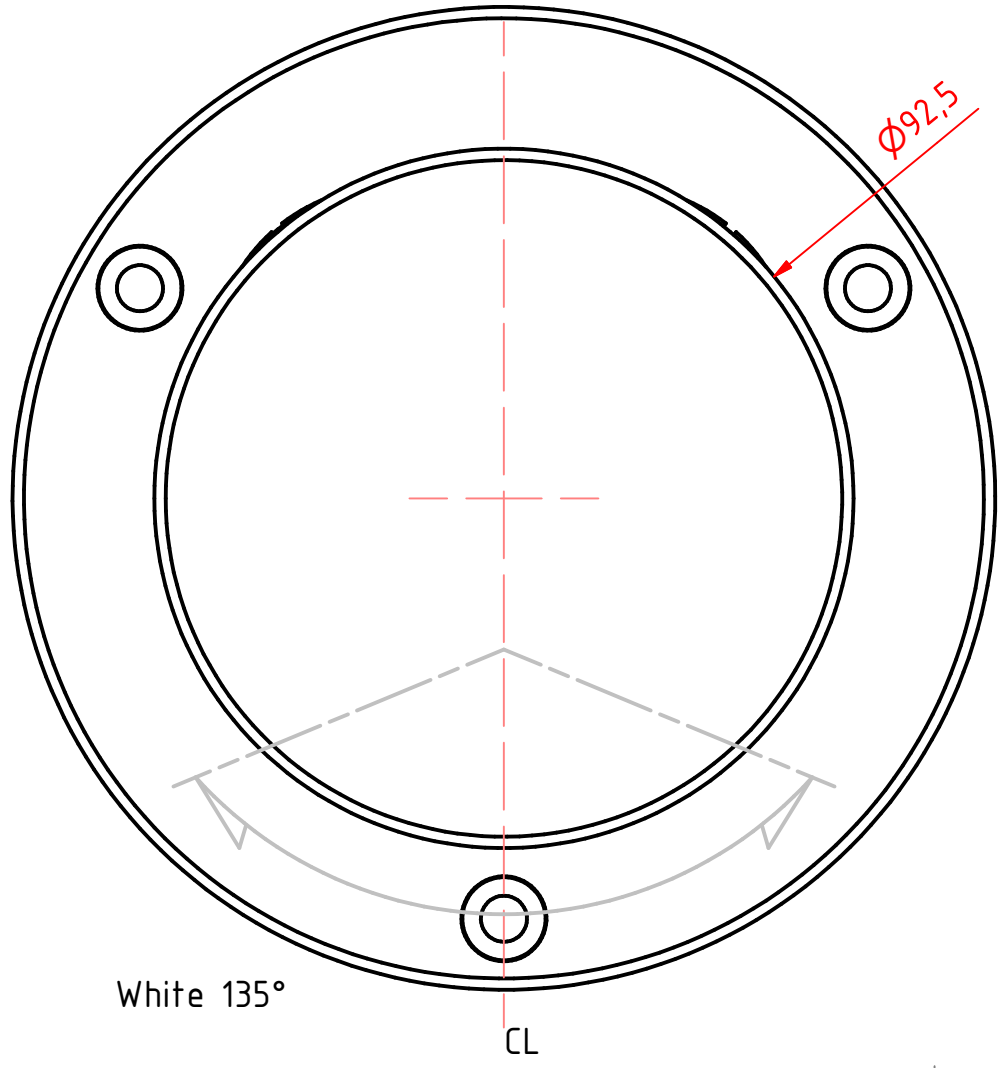
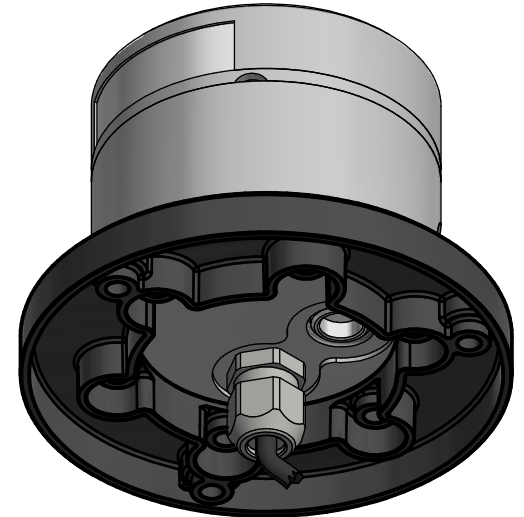
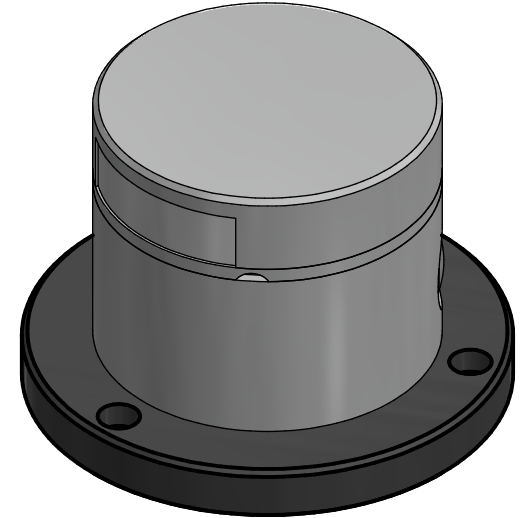
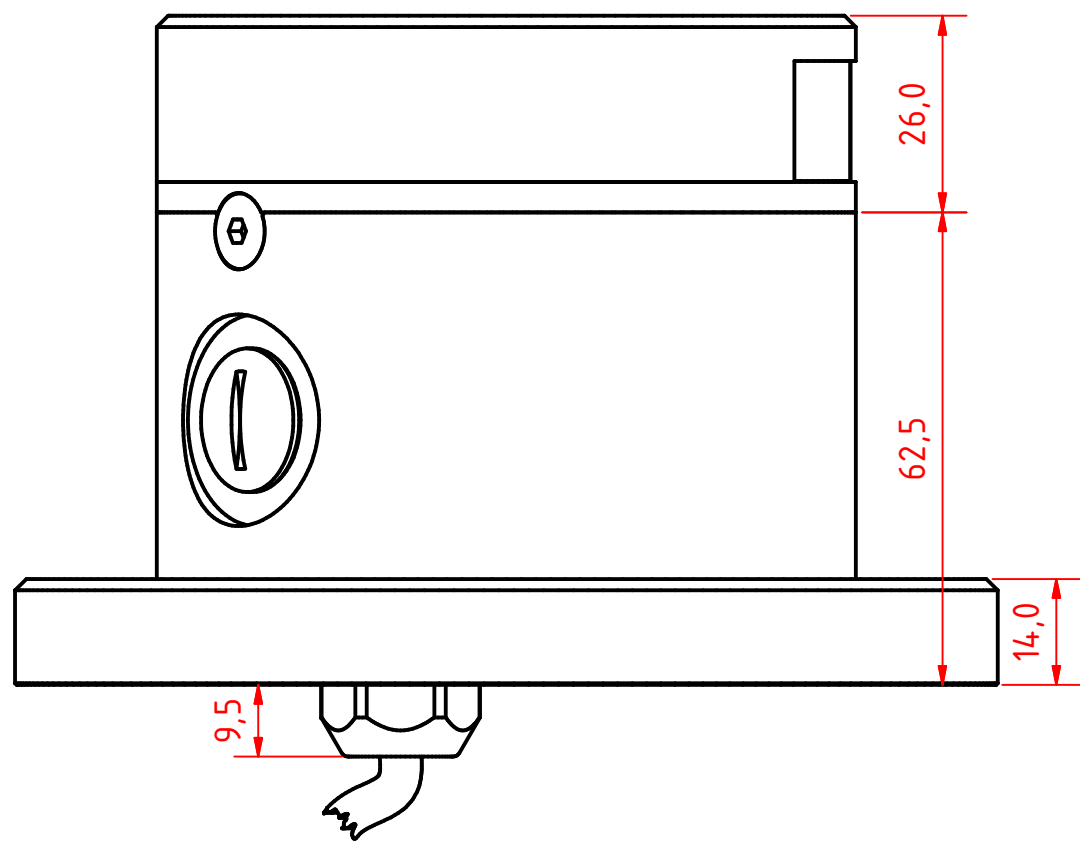
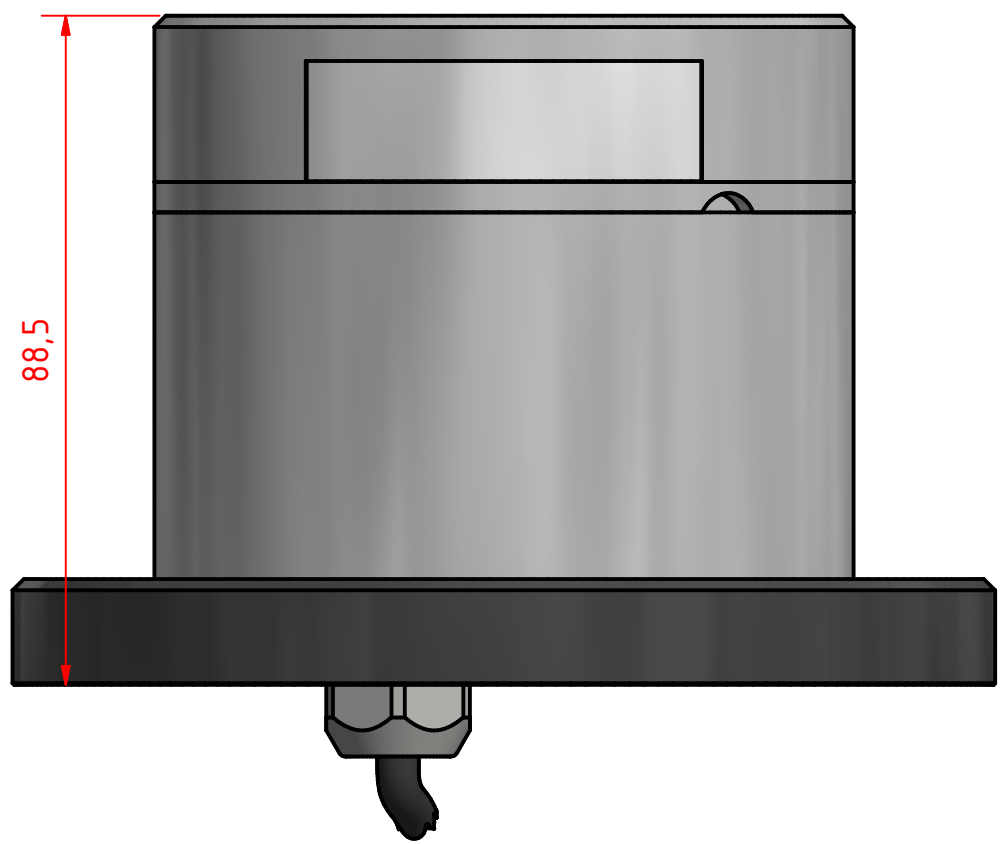
Tel:(+45) 32 48 50 30 Fax:(+45) 32 48 50 32  
 info@lopolight.com



A B C D E F G H I J

A B C D E F G H I J

1  
2  
3  
4  
5  
6  
7  
8



Rev2 10/05/2019 Delete the Sheet IA, put back the PE base plate instead the Alu one and add the text PRO Series on the sheet HA.  
 Rev1 29/03/2019 Replace the 400-404 PE base for the 400-401 Alu base

**301-105 3nm stern light HM, on a 400-034 Promount base and 400-404 PE base plate, Cable Down**

|  |                                     |                            |                                     |
|--|-------------------------------------|----------------------------|-------------------------------------|
| DRAWING NO.:<br><b>301-105DA</b>                     | REV. NO.:<br><b>2</b>               | SIZE:<br><b>A3</b>         | DRAWN BY:<br><b>Sergio</b>          |
| SCALE:<br><b>1:1</b>                                 | TOLERANCES:<br><b>DS/ISO 2768-f</b> | REVIEWED BY:<br><b>PHC</b> | CREATION DATE:<br><b>24-04-2018</b> |
| MATERIAL DESCRIPTION:<br><b>EN 6082, Acrylic, PE</b> |                                     |                            |                                     |

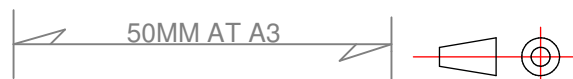
This Drawing, and the information within, is the property of Lopolight ApS and may not be used in any form without express permission there from. Lopolight reserves the right to change this drawing and assumes no liability for the information communicated herein. Use of dimensions and other information in this drawing is at the users own risk.



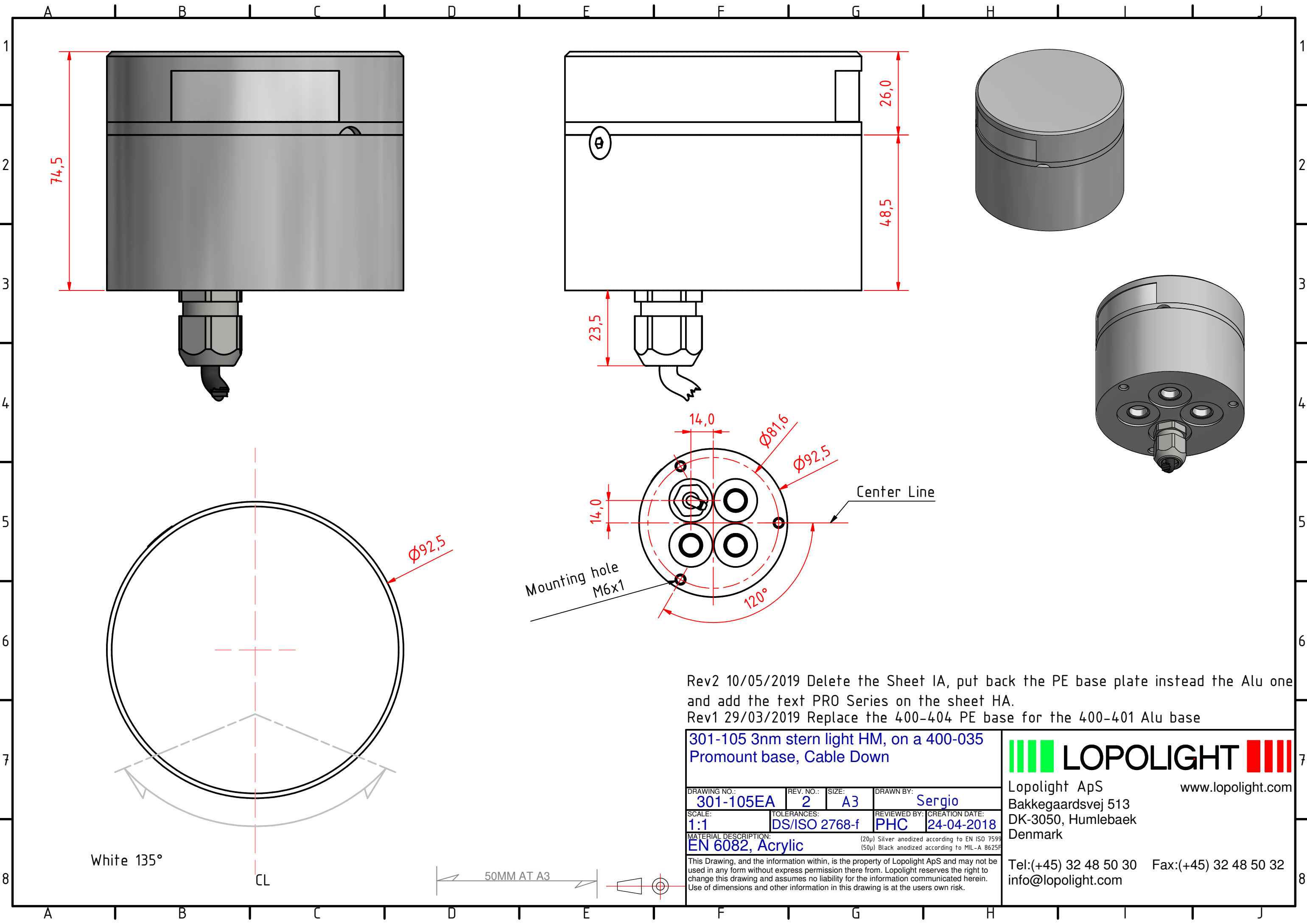
**Lopolight ApS**  
 Bakkegaardsvej 513  
 DK-3050, Humlebaek  
 Denmark

Tel:(+45) 32 48 50 30 Fax:(+45) 32 48 50 32  
 info@lopolight.com

[www.lopolight.com](http://www.lopolight.com)



A B C D E F G H I J



Rev2 10/05/2019 Delete the Sheet IA, put back the PE base plate instead the Alu one and add the text PRO Series on the sheet HA.  
 Rev1 29/03/2019 Replace the 400-404 PE base for the 400-401 Alu base

**301-105 3nm stern light HM, on a 400-035 Promount base, Cable Down**

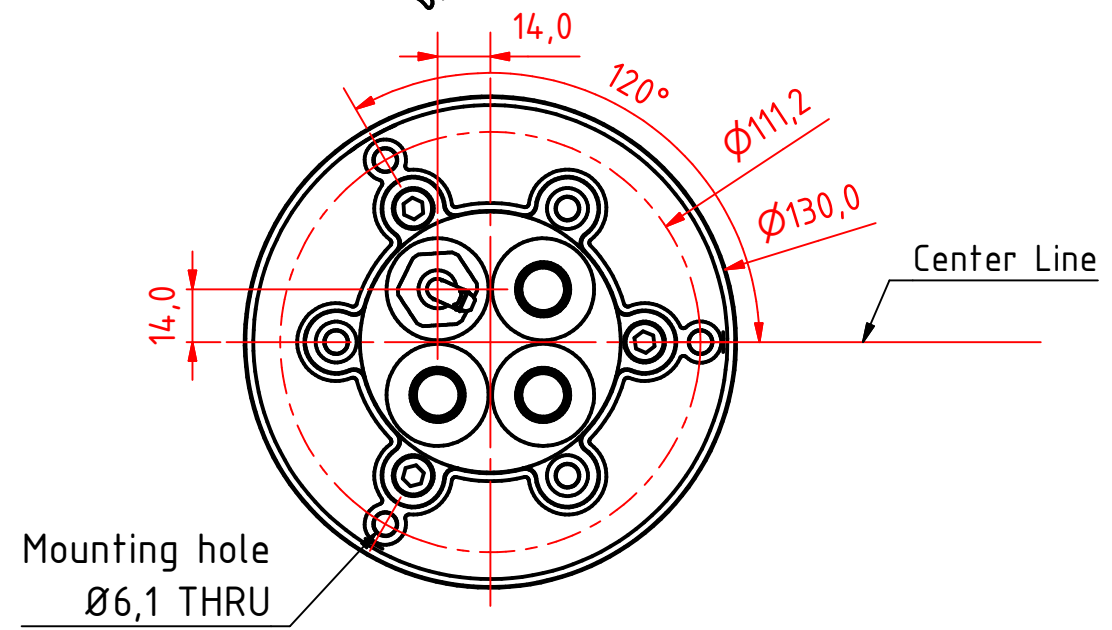
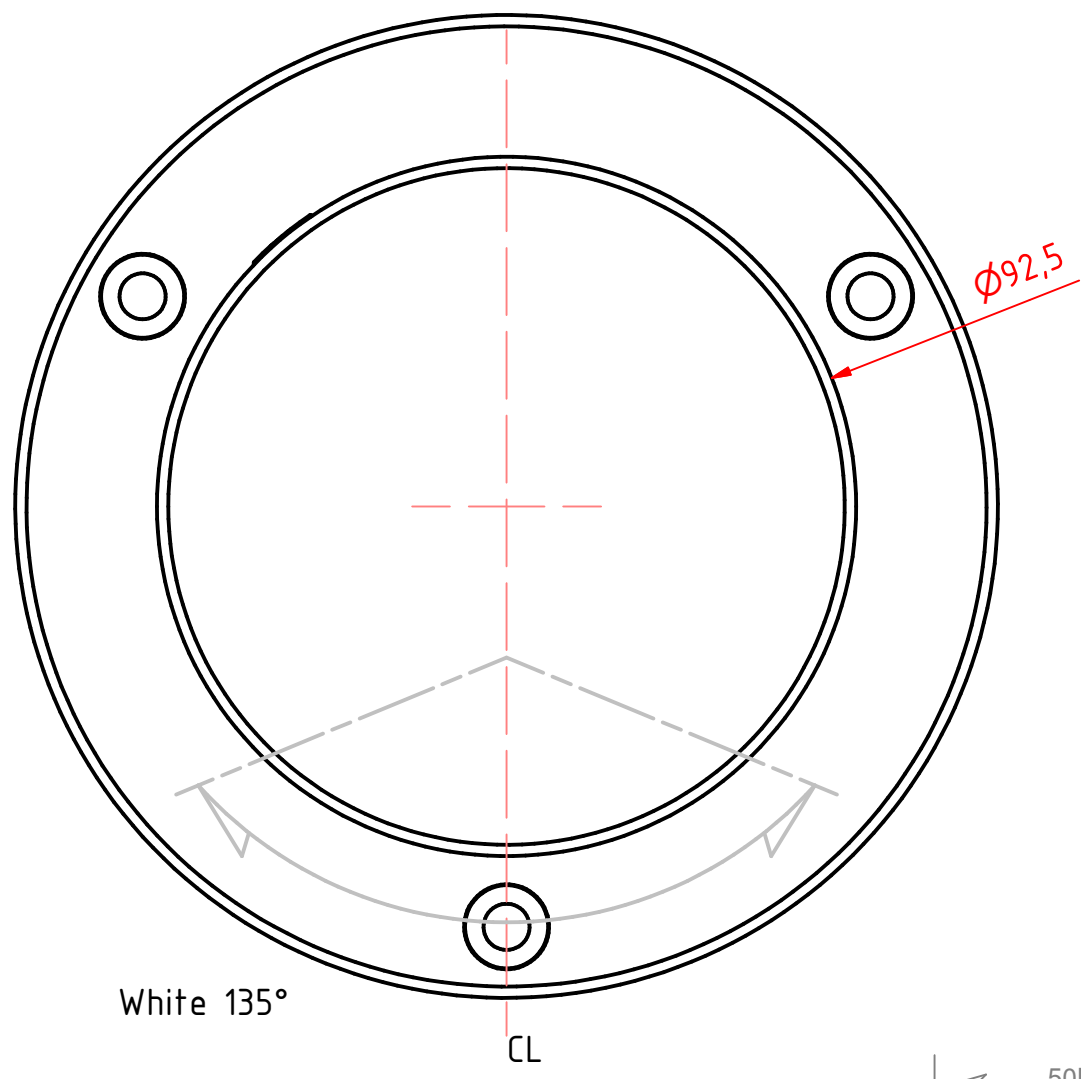
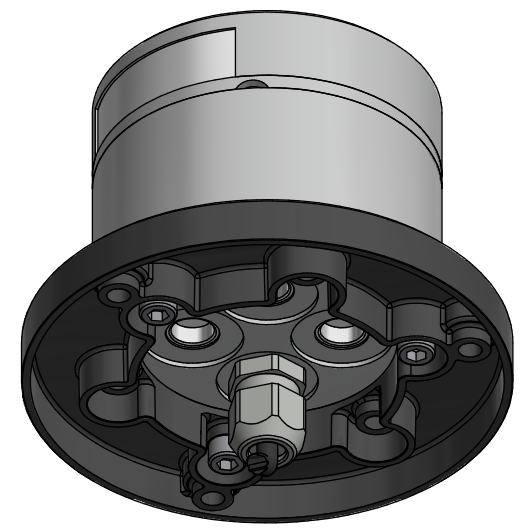
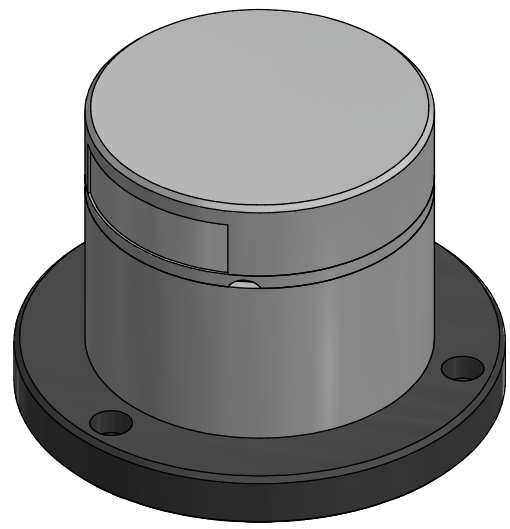
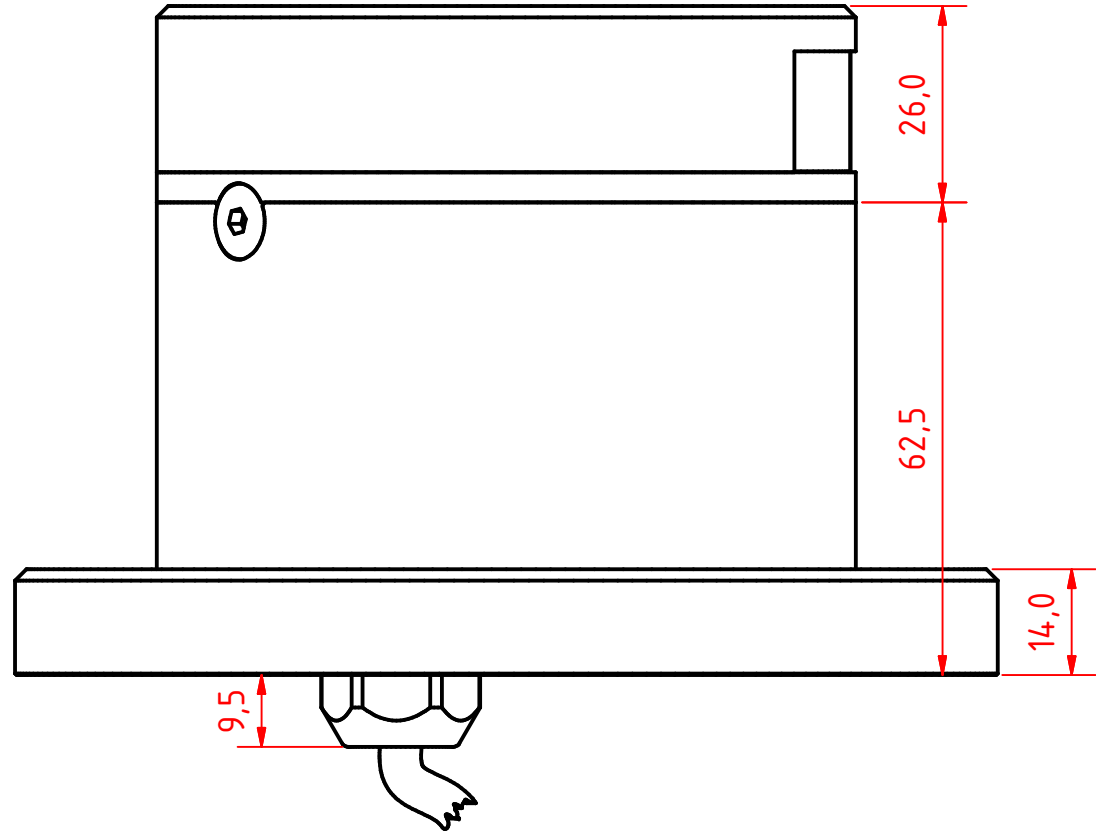
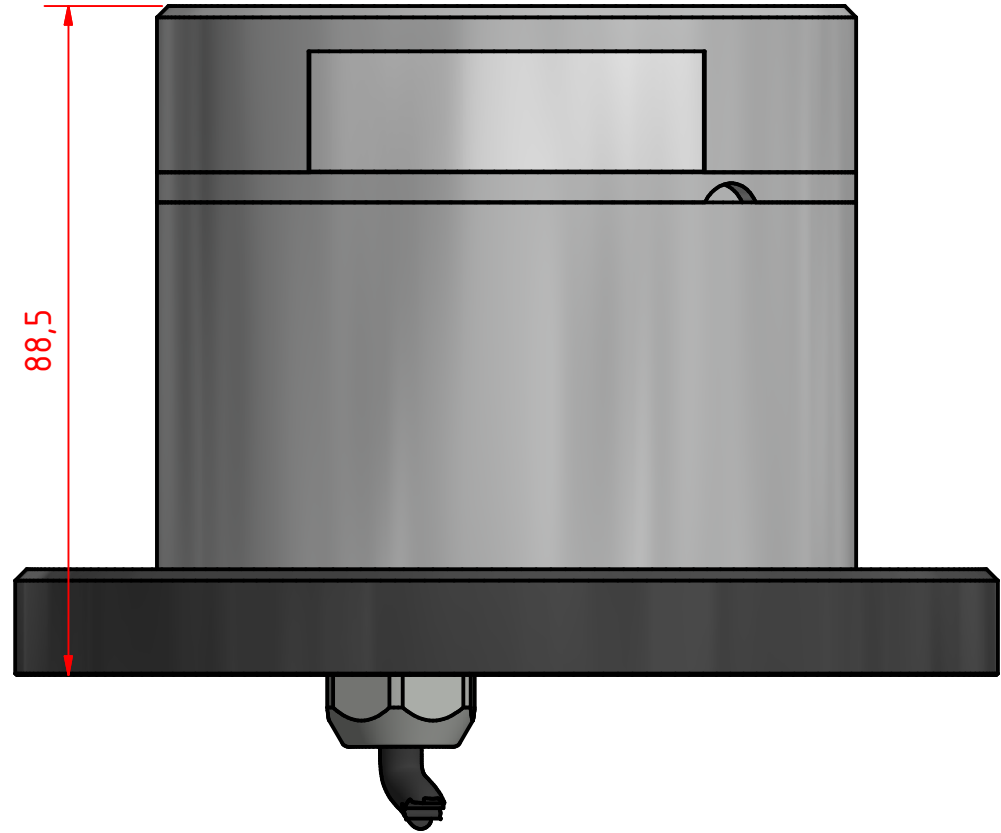
|  |                                     |                            |                                     |
|--|-------------------------------------|----------------------------|-------------------------------------|
| DRAWING NO.:<br><b>301-105EA</b>                 | REV. NO.:<br><b>2</b>               | SIZE:<br><b>A3</b>         | DRAWN BY:<br><b>Sergio</b>          |
| SCALE:<br><b>1:1</b>                             | TOLERANCES:<br><b>DS/ISO 2768-f</b> | REVIEWED BY:<br><b>PHC</b> | CREATION DATE:<br><b>24-04-2018</b> |
| MATERIAL DESCRIPTION:<br><b>EN 6082, Acrylic</b> |                                     |                            |                                     |

This Drawing, and the information within, is the property of Lopolight ApS and may not be used in any form without express permission there from. Lopolight reserves the right to change this drawing and assumes no liability for the information communicated herein. Use of dimensions and other information in this drawing is at the users own risk.

**LOPOLIGHT**  
 Lopolight ApS  
 Bakkegaardsvej 513  
 DK-3050, Humlebaek  
 Denmark  
 www.lopolight.com  
 Tel:(+45) 32 48 50 30 Fax:(+45) 32 48 50 32  
 info@lopolight.com

A B C D E F G H I J

1  
2  
3  
4  
5  
6  
7  
8



Rev2 10/05/2019 Delete the Sheet IA, put back the PE base plate instead the Alu one and add the text PRO Series on the sheet HA.  
 Rev1 29/03/2019 Replace the 400-404 PE base for the 400-401 Alu base

**301-105 3nm stern light HM, on a 400-035 Promount base and 400-404 PE base plate, Cable Down**

|                                  |                                     |                            |                                     |
|----------------------------------|-------------------------------------|----------------------------|-------------------------------------|
| DRAWING NO.:<br><b>301-105FA</b> | REV. NO.:<br><b>2</b>               | SIZE:<br><b>A3</b>         | DRAWN BY:<br><b>Sergio</b>          |
| SCALE:<br><b>1:1</b>             | TOLERANCES:<br><b>DS/ISO 2768-f</b> | REVIEWED BY:<br><b>PHC</b> | CREATION DATE:<br><b>24-04-2018</b> |

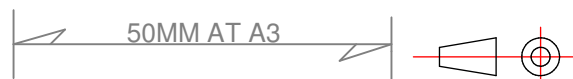
MATERIAL DESCRIPTION:  
**EN 6082, Acrylic, PE** (20µ) Silver anodized according to EN ISO 7599 (50µ) Black anodized according to MIL-A 8625F

This Drawing, and the information within, is the property of Lopolight ApS and may not be used in any form without express permission there from. Lopolight reserves the right to change this drawing and assumes no liability for the information communicated herein. Use of dimensions and other information in this drawing is at the users own risk.



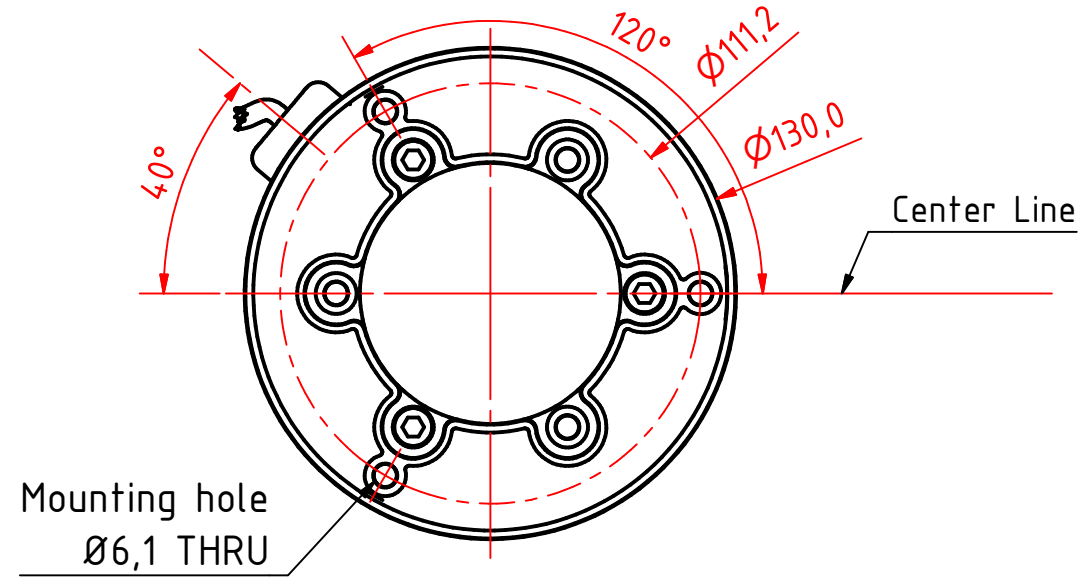
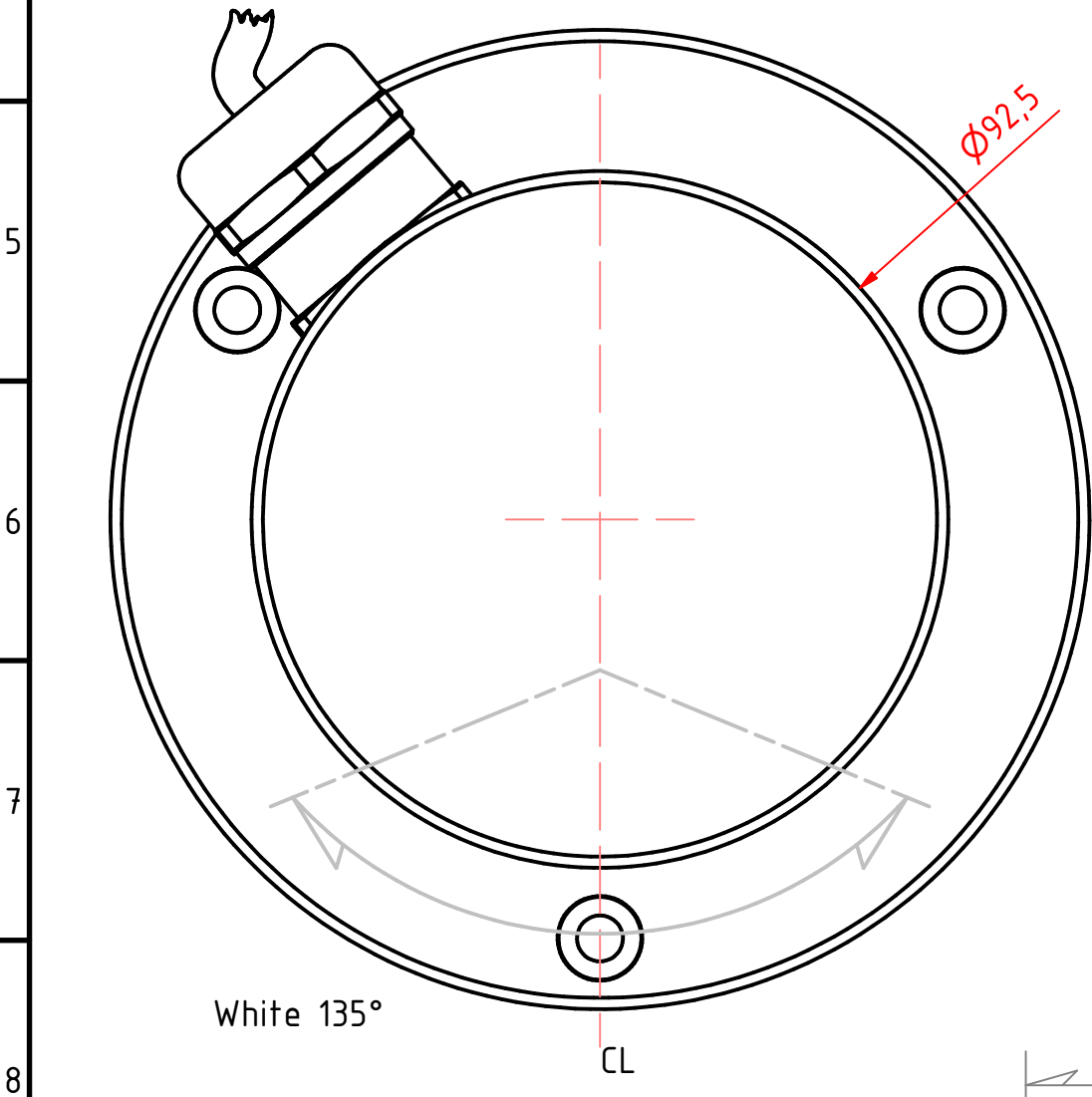
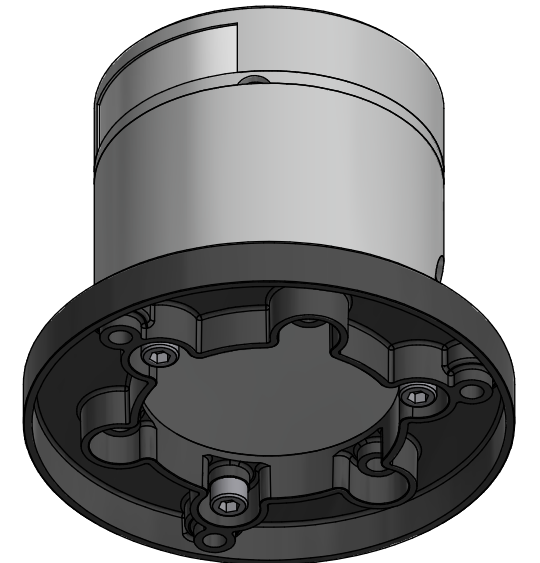
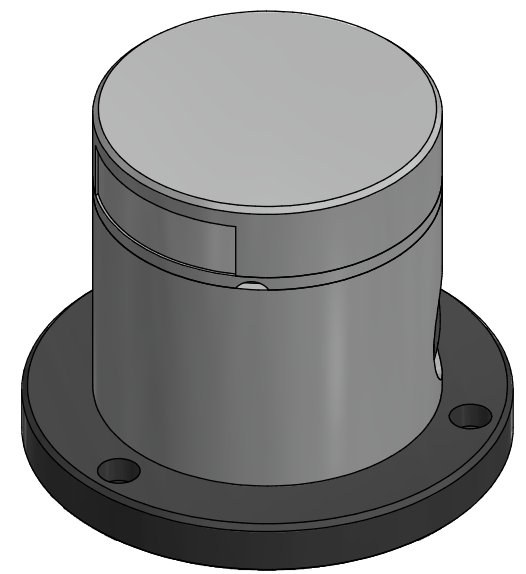
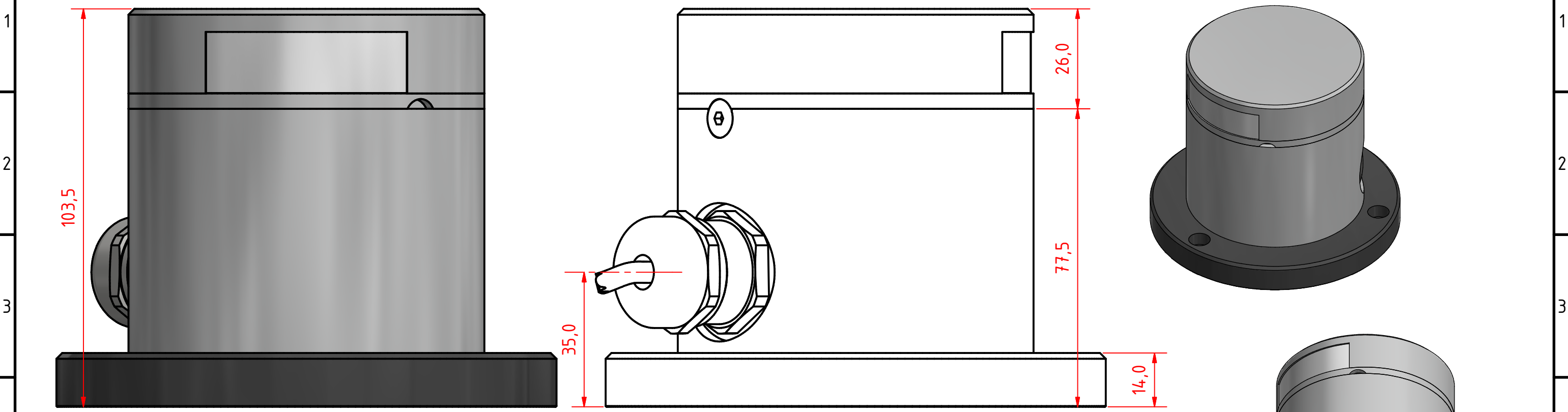
Lopolight ApS  
 Bakkegaardsvej 513  
 DK-3050, Humlebaek  
 Denmark  
[www.lopolight.com](http://www.lopolight.com)

Tel:(+45) 32 48 50 30 Fax:(+45) 32 48 50 32  
 info@lopolight.com



A B C D E F G H I J

A B C D E F G H I J



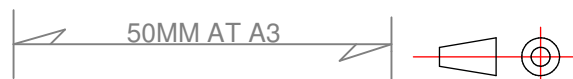
Rev2 10/05/2019 Delete the Sheet IA, put back the PE base plate instead the Alu one and add the text PRO Series on the sheet HA.  
 Rev1 29/03/2019 Replace the 400-404 PE base for the 400-401 Alu base

|   |                                     |                            |                                     |
|---|-------------------------------------|----------------------------|-------------------------------------|
| <b>301-105 3nm stern light HM, on a 400-037 Promount base PRO Series version and 400-404 PE base plate, Cable Side</b>                            |                                     |                            |                                     |
| DRAWING NO.:<br><b>301-105HA</b>  | REV. NO.:<br><b>0</b>               | SIZE:<br><b>A3</b>         | DRAWN BY:<br><b>Sergio</b>          |
| SCALE:<br><b>1:1</b>  | TOLERANCES:<br><b>DS/ISO 2768-f</b> | REVIEWED BY:<br><b>PHC</b> | CREATION DATE:<br><b>24-04-2018</b> |
| MATERIAL DESCRIPTION:<br><b>EN 6082, Acrylic, PE</b> (20µ) Silver anodized according to EN ISO 7599 (50µ) Black anodized according to MIL-A 8625F |                                     |                            |                                     |

**LOPOLIGHT**  
 Lopolight ApS  
 Bakkegaardsvej 513  
 DK-3050, Humlebaek  
 Denmark  
[www.lopolight.com](http://www.lopolight.com)

This Drawing, and the information within, is the property of Lopolight ApS and may not be used in any form without express permission there from. Lopolight reserves the right to change this drawing and assumes no liability for the information communicated herein. Use of dimensions and other information in this drawing is at the users own risk.

Tel:(+45) 32 48 50 30 Fax:(+45) 32 48 50 32  
 info@lopolight.com



A B C D E F G H I J

1  
2  
3  
4  
5  
6  
7  
8

1  
2  
3  
4  
5  
6  
7  
8