

Rev2 10/05/2019 Add the text PRO Series on the Sheet HB and put back the PE base plate instead the Alu one.
 Rev1 29/03/2019 Replace the 400-404 PE base for the 400-401 Alu base

301-108ST 3nm double starboard sidelight, HM, on a 400-034 Promount base, Cable Side

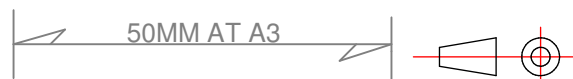
DRAWING NO.:	REV. NO.:	SIZE:	DRAWN BY:
301-108AB	2	A3	Sergio
SCALE:	TOLERANCES:	REVIEWED BY:	CREATION DATE:
1:1	DS/ISO 2768-f	PHC	24-04-2018
MATERIAL DESCRIPTION:			
EN 6082, Acrylic			

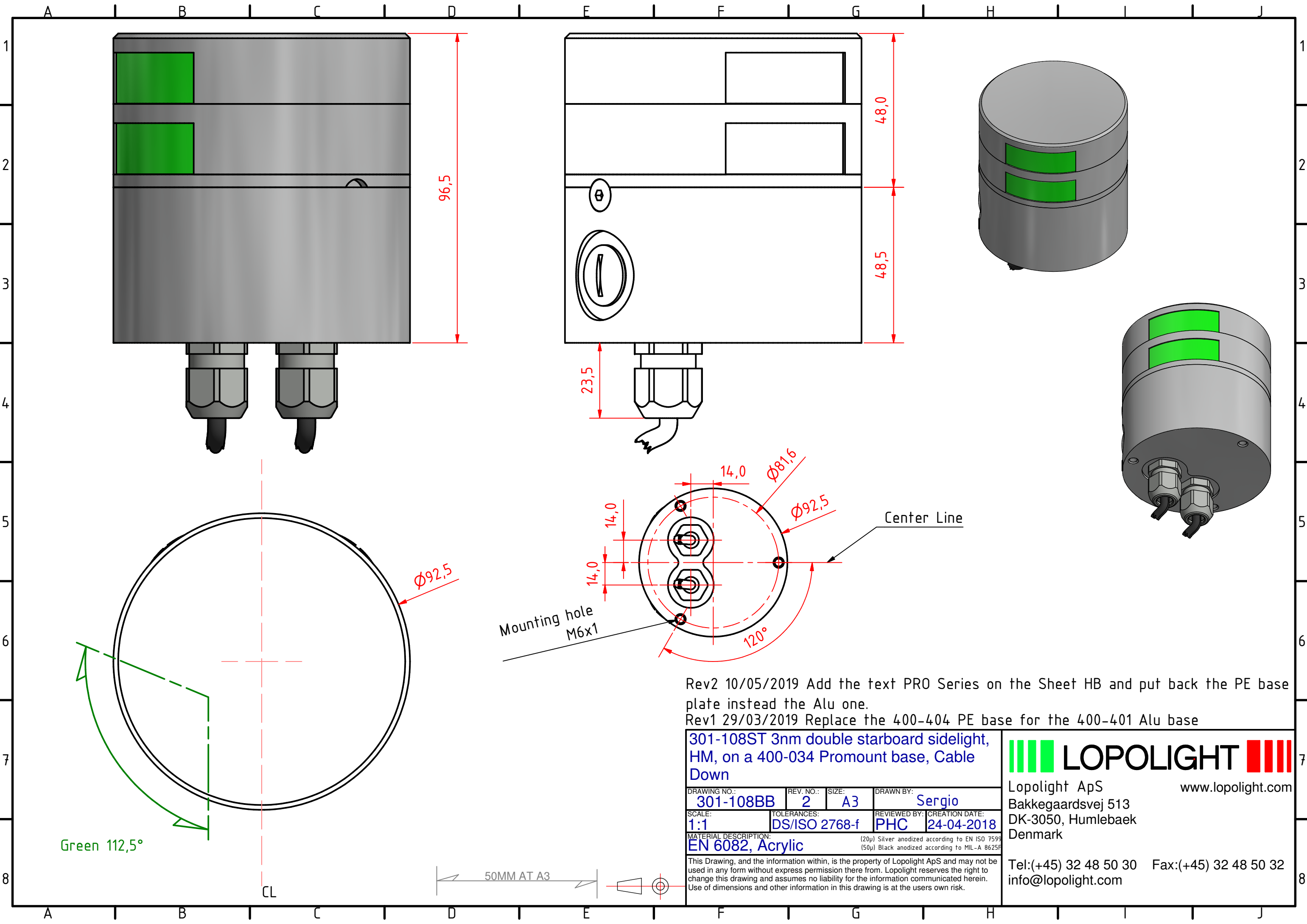
(20µ) Silver anodized according to EN ISO 7599
 (50µ) Black anodized according to MIL-A 8625F
 This Drawing, and the information within, is the property of Lopolight ApS and may not be used in any form without express permission there from. Lopolight reserves the right to change this drawing and assumes no liability for the information communicated herein. Use of dimensions and other information in this drawing is at the users own risk.



Lopolight ApS
 Bakkegaardsvej 513
 DK-3050, Humlebaek
 Denmark

Tel:(+45) 32 48 50 30 Fax:(+45) 32 48 50 32
 info@lopolight.com





Rev2 10/05/2019 Add the text PRO Series on the Sheet HB and put back the PE base plate instead the Alu one.
 Rev1 29/03/2019 Replace the 400-404 PE base for the 400-401 Alu base

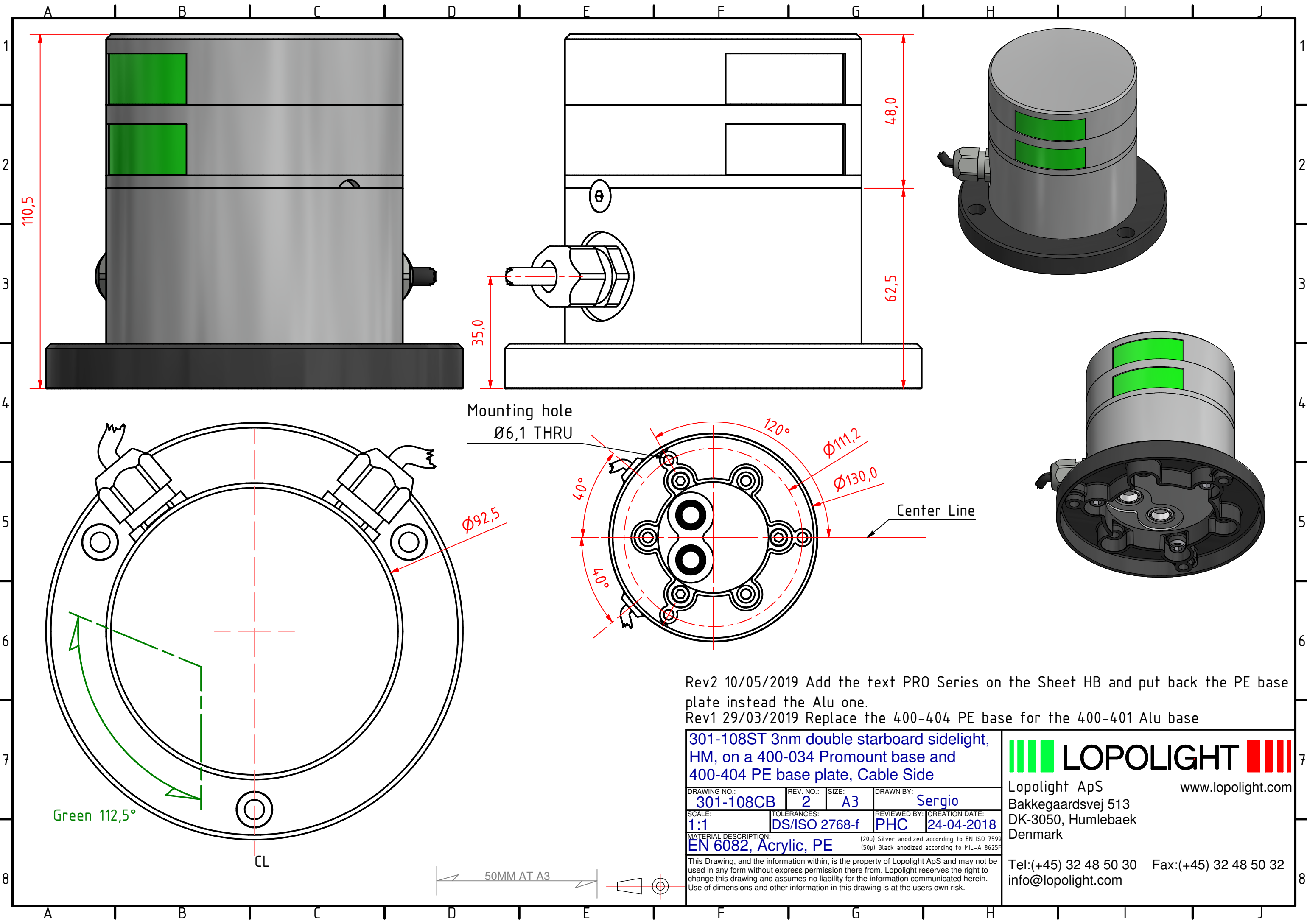
301-108ST 3nm double starboard sidelight, HM, on a 400-034 Promount base, Cable Down			
DRAWING NO.:	REV. NO.:	SIZE:	DRAWN BY:
301-108BB	2	A3	Sergio
SCALE:	TOLERANCES:	REVIEWED BY:	CREATION DATE:
1:1	DS/ISO 2768-f	PHC	24-04-2018
MATERIAL DESCRIPTION:			
EN 6082, Acrylic			

LOPOLIGHT
 Lopolight ApS
 Bakkegaardsvej 513
 DK-3050, Humlebaek
 Denmark
 www.lopolight.com

This Drawing, and the information within, is the property of Lopolight ApS and may not be used in any form without express permission there from. Lopolight reserves the right to change this drawing and assumes no liability for the information communicated herein. Use of dimensions and other information in this drawing is at the users own risk.

Tel:(+45) 32 48 50 30 Fax:(+45) 32 48 50 32
 info@lopolight.com





Mounting hole
Ø6,1 THRU

Rev2 10/05/2019 Add the text PRO Series on the Sheet HB and put back the PE base plate instead the Alu one.
Rev1 29/03/2019 Replace the 400-404 PE base for the 400-401 Alu base

301-108ST 3nm double starboard sidelight, HM, on a 400-034 Promount base and 400-404 PE base plate, Cable Side

DRAWING NO.:	REV. NO.:	SIZE:	DRAWN BY:
301-108CB	2	A3	Sergio
SCALE:	TOLERANCES:	REVIEWED BY:	CREATION DATE:
1:1	DS/ISO 2768-f	PHC	24-04-2018

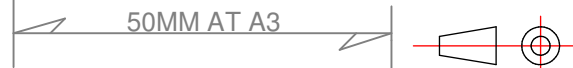
MATERIAL DESCRIPTION:
EN 6082, Acrylic, PE (20µ) Silver anodized according to EN ISO 7599 (50µ) Black anodized according to MIL-A 8625F

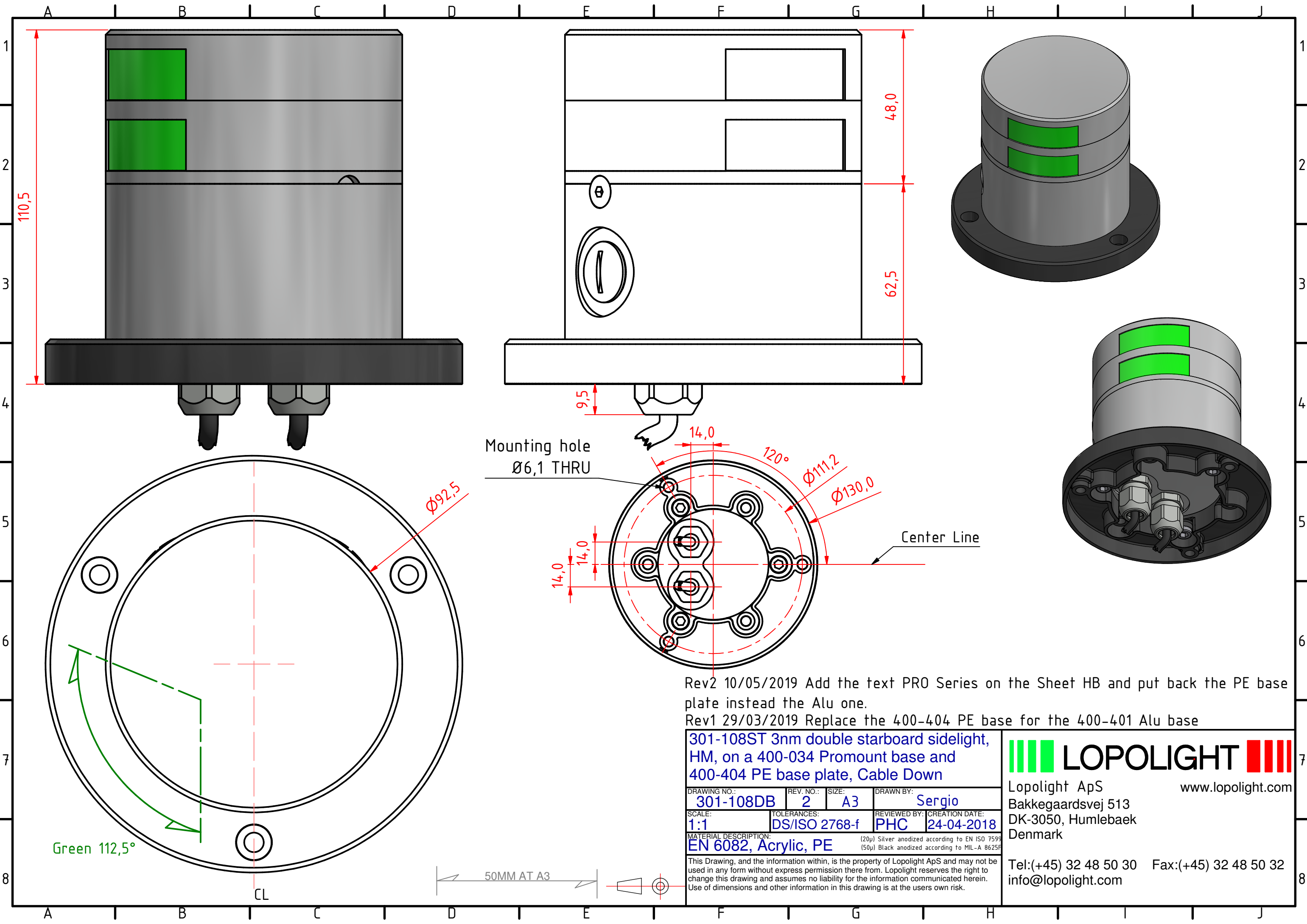
This Drawing, and the information within, is the property of Lopolight ApS and may not be used in any form without express permission there from. Lopolight reserves the right to change this drawing and assumes no liability for the information communicated herein. Use of dimensions and other information in this drawing is at the users own risk.



Lopolight ApS
Bakkegaardsvej 513
DK-3050, Humlebaek
Denmark
www.lopolight.com

Tel:(+45) 32 48 50 30 Fax:(+45) 32 48 50 32
info@lopolight.com





Mounting hole
Ø6,1 THRU

Rev2 10/05/2019 Add the text PRO Series on the Sheet HB and put back the PE base plate instead the Alu one.
 Rev1 29/03/2019 Replace the 400-404 PE base for the 400-401 Alu base

**301-108ST 3nm double starboard sidelight,
 HM, on a 400-034 Promount base and
 400-404 PE base plate, Cable Down**

DRAWING NO.:	REV. NO.:	SIZE:	DRAWN BY:
301-108DB	2	A3	Sergio
SCALE:	TOLERANCES:	REVIEWED BY:	CREATION DATE:
1:1	DS/ISO 2768-f	PHC	24-04-2018

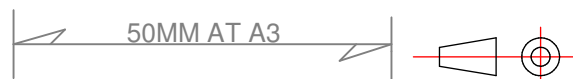
MATERIAL DESCRIPTION:
EN 6082, Acrylic, PE (20µ) Silver anodized according to EN ISO 7599
 (50µ) Black anodized according to MIL-A 8625F

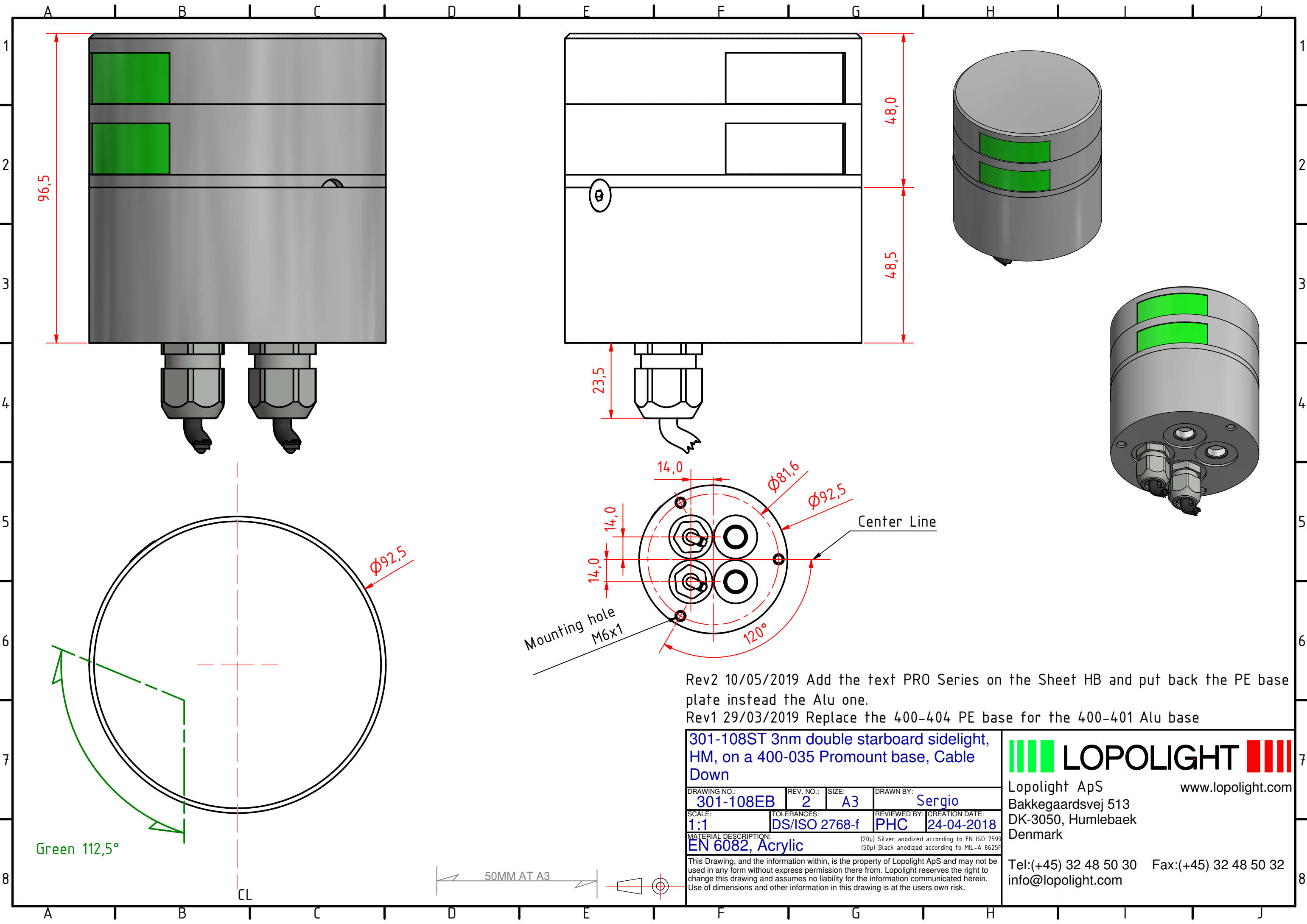
This Drawing, and the information within, is the property of Lopolight ApS and may not be used in any form without express permission there from. Lopolight reserves the right to change this drawing and assumes no liability for the information communicated herein. Use of dimensions and other information in this drawing is at the users own risk.



Lopolight ApS
 Bakkegaardsvej 513
 DK-3050, Humlebaek
 Denmark

Tel:(+45) 32 48 50 30 Fax:(+45) 32 48 50 32
 info@lopolight.com



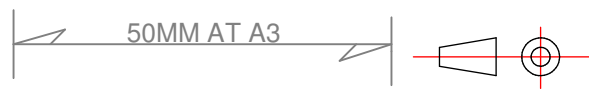


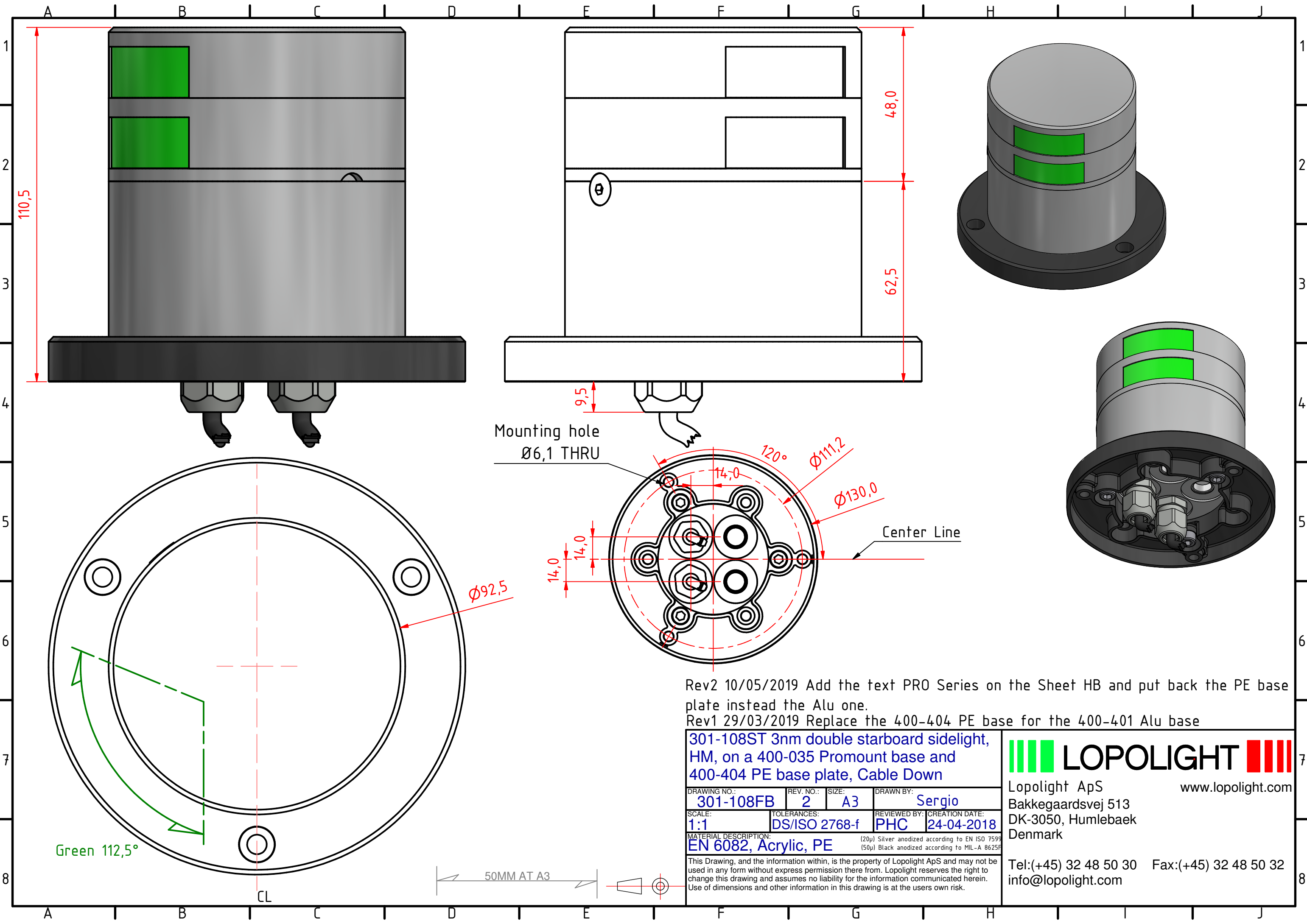
Rev2 10/05/2019 Add the text PRO Series on the Sheet HB and put back the PE base plate instead the Alu one.
 Rev1 29/03/2019 Replace the 400-404 PE base for the 400-401 Alu base

301-108ST 3nm double starboard sidelight, HM, on a 400-035 Promount base, Cable Down			
DRAWING NO.:	REV. NO.:	SIZE:	DRAWN BY:
301-108EB	2	A3	Sergio
SCALE:	TOLERANCES:	REVIEWED BY:	CREATION DATE:
1:1	DS/ISO 2768-f	PHC	24-04-2018
MATERIAL DESCRIPTION:			
EN 6082, Acrylic			

LOPOLIGHT
 Lopolight ApS
 Bakkegaardsvej 513
 DK-3050, Humlebaek
 Denmark
 www.lopolight.com
 Tel:(+45) 32 48 50 30 Fax:(+45) 32 48 50 32
 info@lopolight.com

This Drawing, and the information within, is the property of Lopolight ApS and may not be used in any form without express permission there from. Lopolight reserves the right to change this drawing and assumes no liability for the information communicated herein. Use of dimensions and other information in this drawing is at the users own risk.





Mounting hole
Ø6,1 THRU

Rev2 10/05/2019 Add the text PRO Series on the Sheet HB and put back the PE base plate instead the Alu one.
 Rev1 29/03/2019 Replace the 400-404 PE base for the 400-401 Alu base

301-108ST 3nm double starboard sidelight, HM, on a 400-035 Promount base and 400-404 PE base plate, Cable Down

DRAWING NO.:	REV. NO.:	SIZE:	DRAWN BY:
301-108FB	2	A3	Sergio
SCALE:	TOLERANCES:	REVIEWED BY:	CREATION DATE:
1:1	DS/ISO 2768-f	PHC	24-04-2018

MATERIAL DESCRIPTION:
EN 6082, Acrylic, PE (20µ) Silver anodized according to EN ISO 7599 (50µ) Black anodized according to MIL-A 8625F

This Drawing, and the information within, is the property of Lopolight ApS and may not be used in any form without express permission there from. Lopolight reserves the right to change this drawing and assumes no liability for the information communicated herein. Use of dimensions and other information in this drawing is at the users own risk.



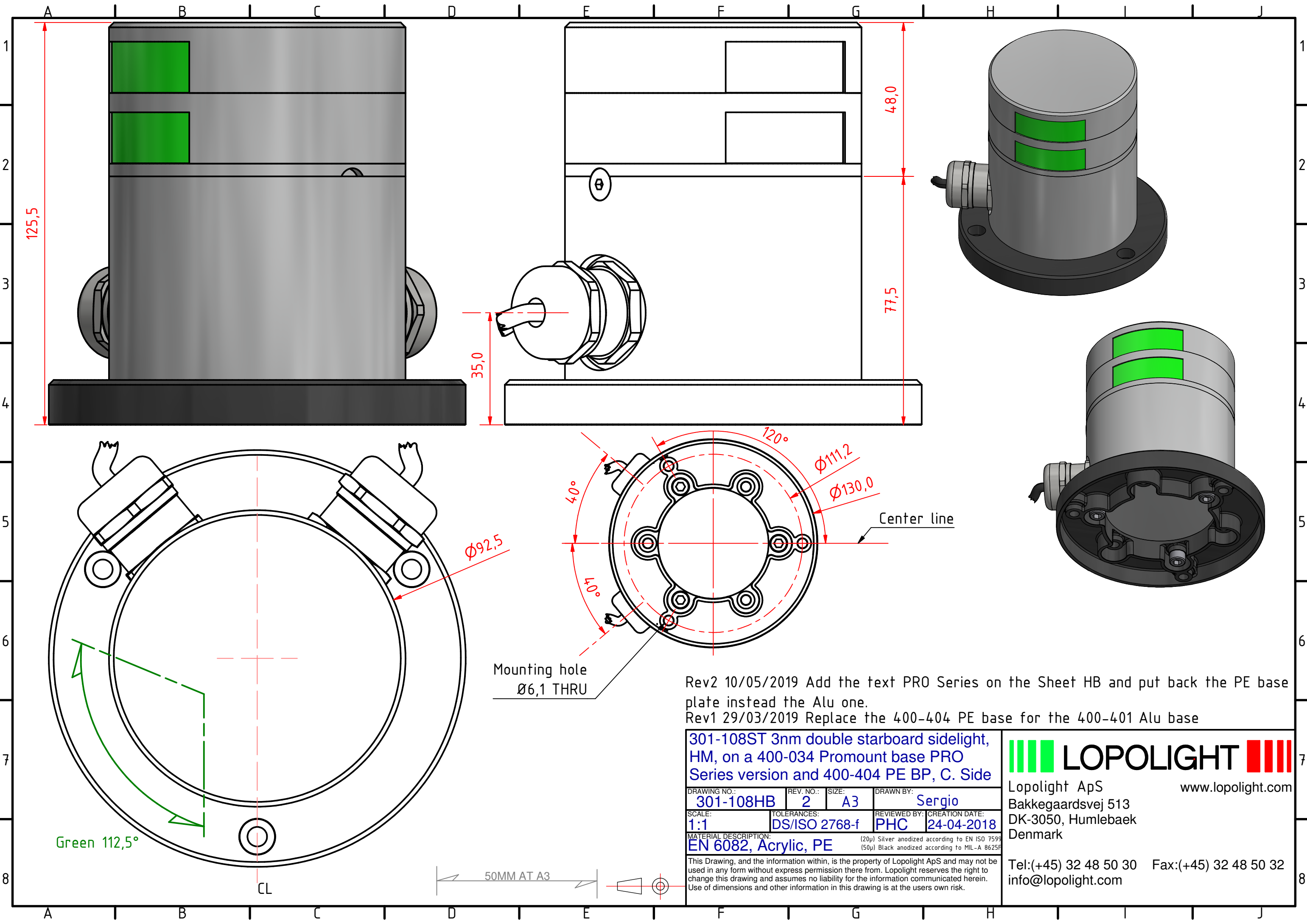
Lopolight ApS
 Bakkegaardsvej 513
 DK-3050, Humlebaek
 Denmark

Tel:(+45) 32 48 50 30 Fax:(+45) 32 48 50 32
 info@lopolight.com

www.lopolight.com

50MM AT A3

Green 112,5°



Rev2 10/05/2019 Add the text PRO Series on the Sheet HB and put back the PE base plate instead the Alu one.
 Rev1 29/03/2019 Replace the 400-404 PE base for the 400-401 Alu base

301-108ST 3nm double starboard sidelight, HM, on a 400-034 Promount base PRO Series version and 400-404 PE BP, C. Side

DRAWING NO.:	REV. NO.:	SIZE:	DRAWN BY:
301-108HB	2	A3	Sergio
SCALE:	TOLERANCES:	REVIEWED BY:	CREATION DATE:
1:1	DS/ISO 2768-f	PHC	24-04-2018

MATERIAL DESCRIPTION:
EN 6082, Acrylic, PE (20µ) Silver anodized according to EN ISO 7599 (50µ) Black anodized according to MIL-A 8625F

This Drawing, and the information within, is the property of Lopolight ApS and may not be used in any form without express permission there from. Lopolight reserves the right to change this drawing and assumes no liability for the information communicated herein. Use of dimensions and other information in this drawing is at the users own risk.



Lopolight ApS
 Bakkegaardsvej 513
 DK-3050, Humlebaek
 Denmark

Tel:(+45) 32 48 50 30 Fax:(+45) 32 48 50 32
 info@lopolight.com

www.lopolight.com