

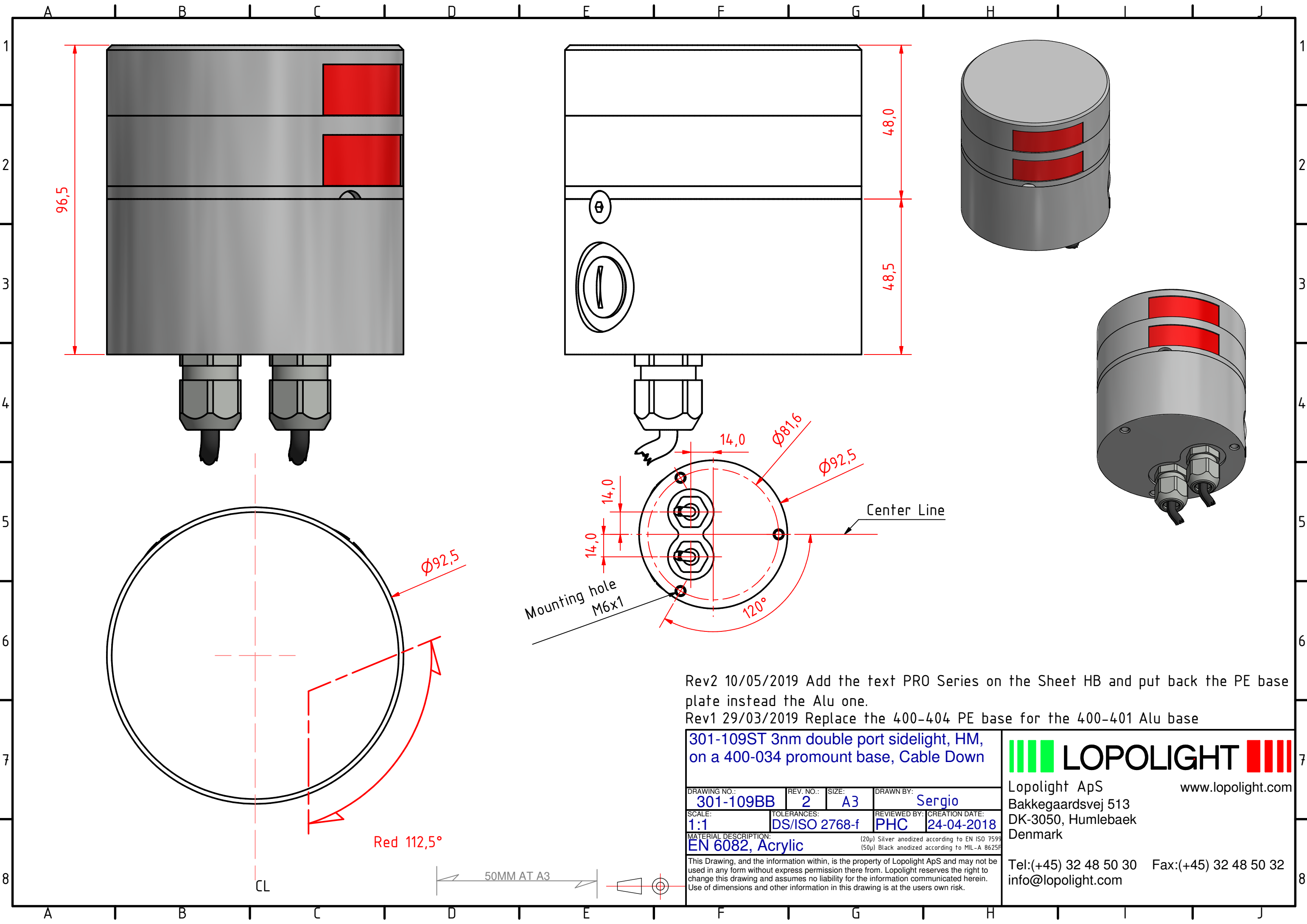
Rev2 10/05/2019 Add the text PRO Series on the Sheet HB and put back the PE base plate instead the Alu one.  
 Rev1 29/03/2019 Replace the 400-404 PE base for the 400-401 Alu base

**301-109ST 3nm double port sidelight, HM, on a 400-034 promount base, Cable Side**

DRAWING NO.:	REV. NO.:	SIZE:	DRAWN BY:
301-109AB	2	A3	Sergio
SCALE:	TOLERANCES:	REVIEWED BY:	CREATION DATE:
1:1	DS/ISO 2768-f	PHC	24-04-2018
MATERIAL DESCRIPTION:			
EN 6082, Acrylic (20µ) Silver anodized according to EN ISO 7599 (50µ) Black anodized according to MIL-A 8625F			

This Drawing, and the information within, is the property of Lopolight ApS and may not be used in any form without express permission there from. Lopolight reserves the right to change this drawing and assumes no liability for the information communicated herein. Use of dimensions and other information in this drawing is at the users own risk.

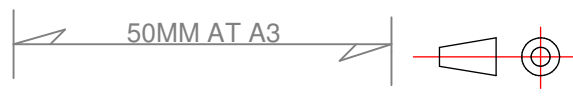
**LOPOLIGHT**  
 Lopolight ApS  
 Bakkegaardsvej 513  
 DK-3050, Humlebaek  
 Denmark  
 www.lopolight.com  
 Tel:(+45) 32 48 50 30 Fax:(+45) 32 48 50 32  
 info@lopolight.com

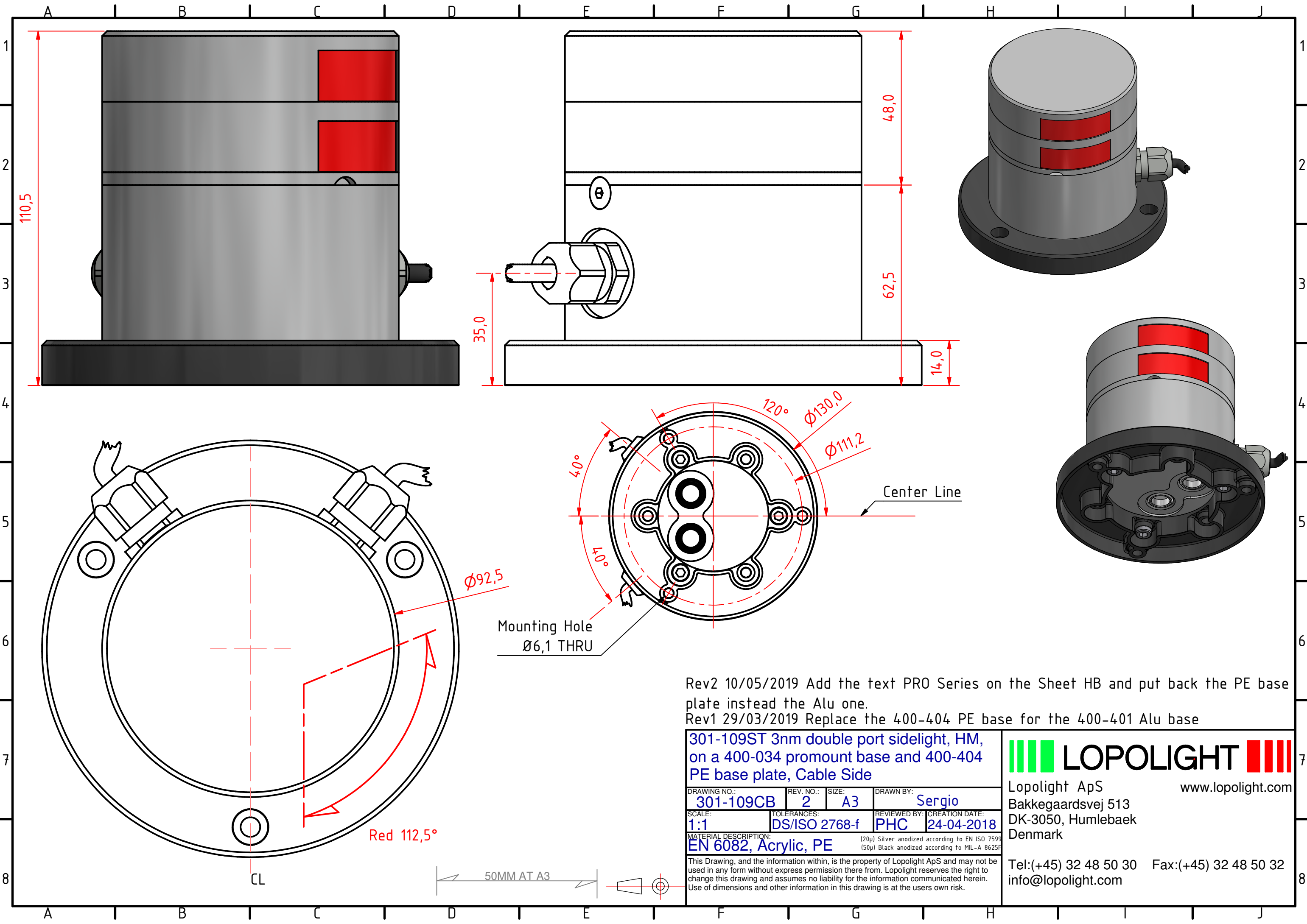


Rev2 10/05/2019 Add the text PRO Series on the Sheet HB and put back the PE base plate instead the Alu one.  
 Rev1 29/03/2019 Replace the 400-404 PE base for the 400-401 Alu base

<b>301-109ST 3nm double port sidelight, HM, on a 400-034 promount base, Cable Down</b>			
DRAWING NO.: <b>301-109BB</b>	REV. NO.: <b>2</b>	SIZE: <b>A3</b>	DRAWN BY: <b>Sergio</b>
SCALE: <b>1:1</b>	TOLERANCES: <b>DS/ISO 2768-f</b>	REVIEWED BY: <b>PHC</b>	CREATION DATE: <b>24-04-2018</b>
MATERIAL DESCRIPTION: <b>EN 6082, Acrylic</b>			
<small>(20µ) Silver anodized according to EN ISO 7599          (50µ) Black anodized according to MIL-A 8625F</small>			
<small>This Drawing, and the information within, is the property of Lopolight ApS and may not be used in any form without express permission there from. Lopolight reserves the right to change this drawing and assumes no liability for the information communicated herein. Use of dimensions and other information in this drawing is at the users own risk.</small>			

**LOPOLIGHT**  
 Lopolight ApS  
 Bakkegaardsvej 513  
 DK-3050, Humlebaek  
 Denmark  
 www.lopolight.com  
 Tel:(+45) 32 48 50 30 Fax:(+45) 32 48 50 32  
 info@lopolight.com





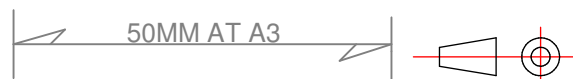
Rev2 10/05/2019 Add the text PRO Series on the Sheet HB and put back the PE base plate instead the Alu one.  
 Rev1 29/03/2019 Replace the 400-404 PE base for the 400-401 Alu base

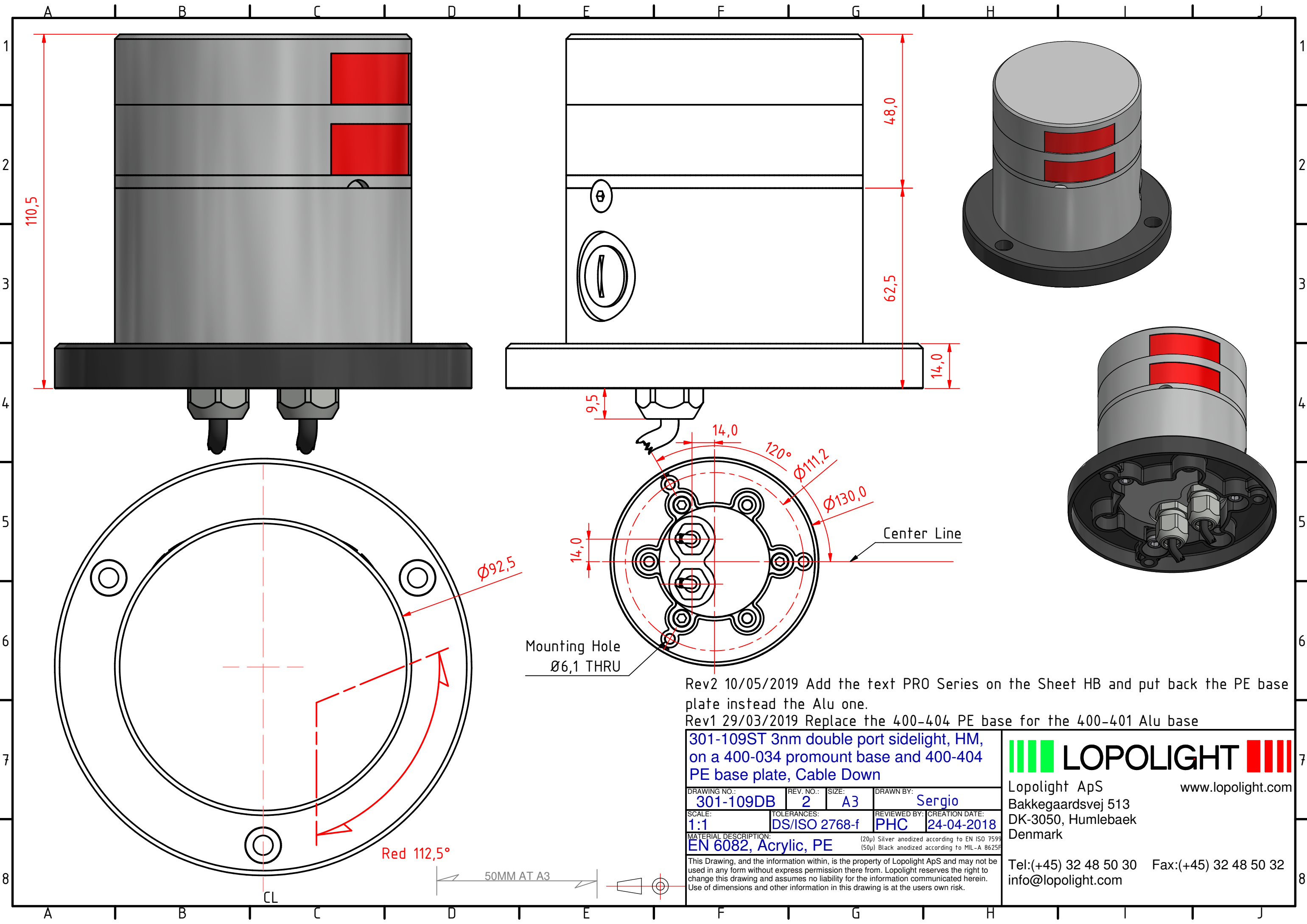
<b>301-109ST 3nm double port sidelight, HM, on a 400-034 promount base and 400-404 PE base plate, Cable Side</b>			
DRAWING NO.:	REV. NO.:	SIZE:	DRAWN BY:
301-109CB	2	A3	Sergio
SCALE:	TOLERANCES:	REVIEWED BY:	CREATION DATE:
1:1	DS/ISO 2768-f	PHC	24-04-2018
MATERIAL DESCRIPTION:			
EN 6082, Acrylic, PE (20µ) Silver anodized according to EN ISO 7599 (50µ) Black anodized according to MIL-A 8625F			

**LOPOLIGHT**  
 Lopolight ApS [www.lopolight.com](http://www.lopolight.com)  
 Bakkegaardsvej 513  
 DK-3050, Humlebaek  
 Denmark

This Drawing, and the information within, is the property of Lopolight ApS and may not be used in any form without express permission there from. Lopolight reserves the right to change this drawing and assumes no liability for the information communicated herein. Use of dimensions and other information in this drawing is at the users own risk.

Tel:(+45) 32 48 50 30 Fax:(+45) 32 48 50 32  
 info@lopolight.com





Rev2 10/05/2019 Add the text PRO Series on the Sheet HB and put back the PE base plate instead the Alu one.

Rev1 29/03/2019 Replace the 400-404 PE base for the 400-401 Alu base

**301-109ST 3nm double port sidelight, HM, on a 400-034 promount base and 400-404 PE base plate, Cable Down**

DRAWING NO.:	REV. NO.:	SIZE:	DRAWN BY:
301-109DB	2	A3	Sergio

SCALE:	TOLERANCES:	REVIEWED BY:	CREATION DATE:
1:1	DS/ISO 2768-f	PHC	24-04-2018

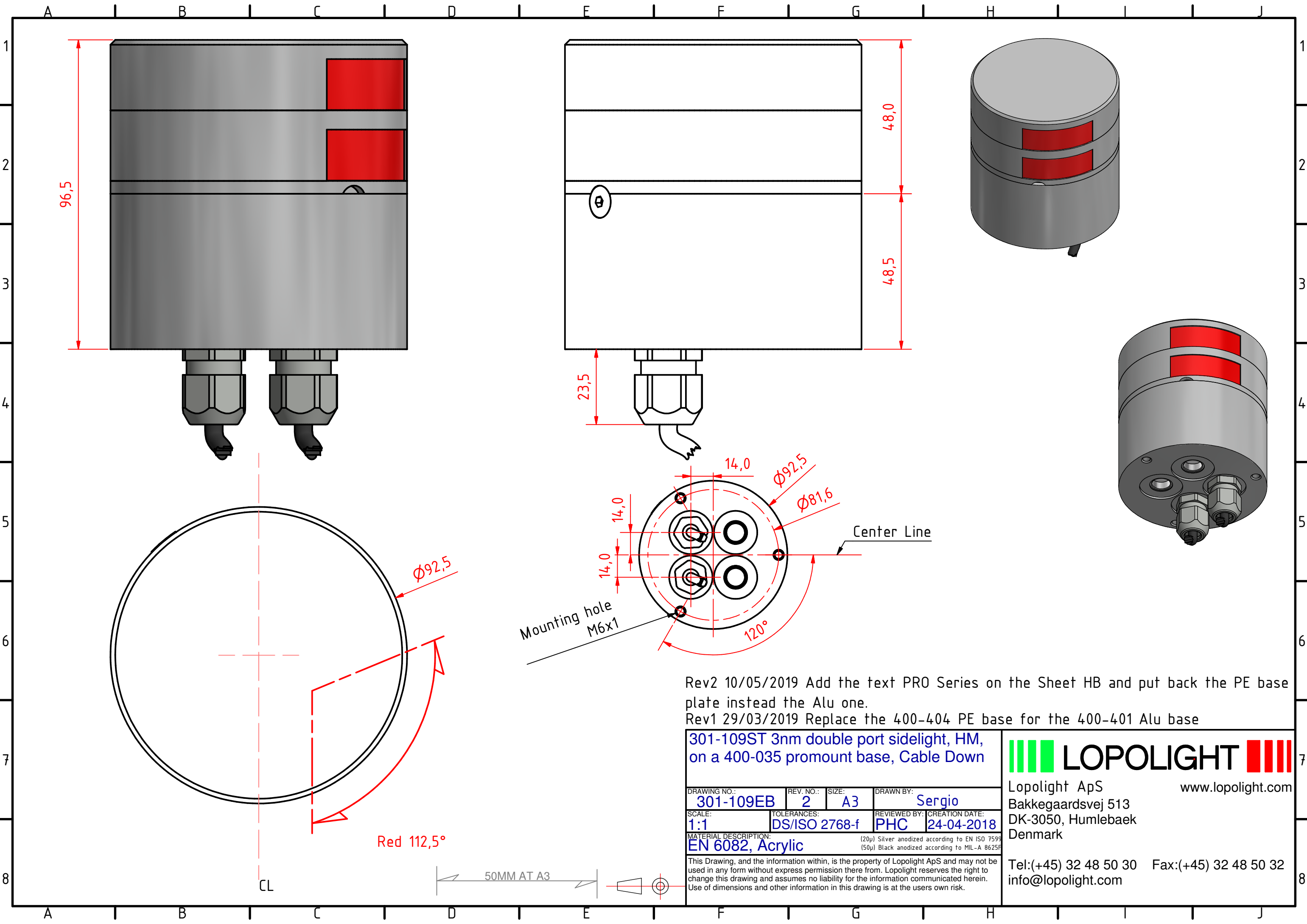
MATERIAL DESCRIPTION: EN 6082, Acrylic, PE (20µ) Silver anodized according to EN ISO 7599 (50µ) Black anodized according to MIL-A 8625F

This Drawing, and the information within, is the property of Lopolight ApS and may not be used in any form without express permission there from. Lopolight reserves the right to change this drawing and assumes no liability for the information communicated herein. Use of dimensions and other information in this drawing is at the users own risk.

**LOPOLIGHT**

Lopolight ApS  
 Bakkegaardsvej 513  
 DK-3050, Humlebaek  
 Denmark

Tel:(+45) 32 48 50 30 Fax:(+45) 32 48 50 32  
 info@lopolight.com www.lopolight.com



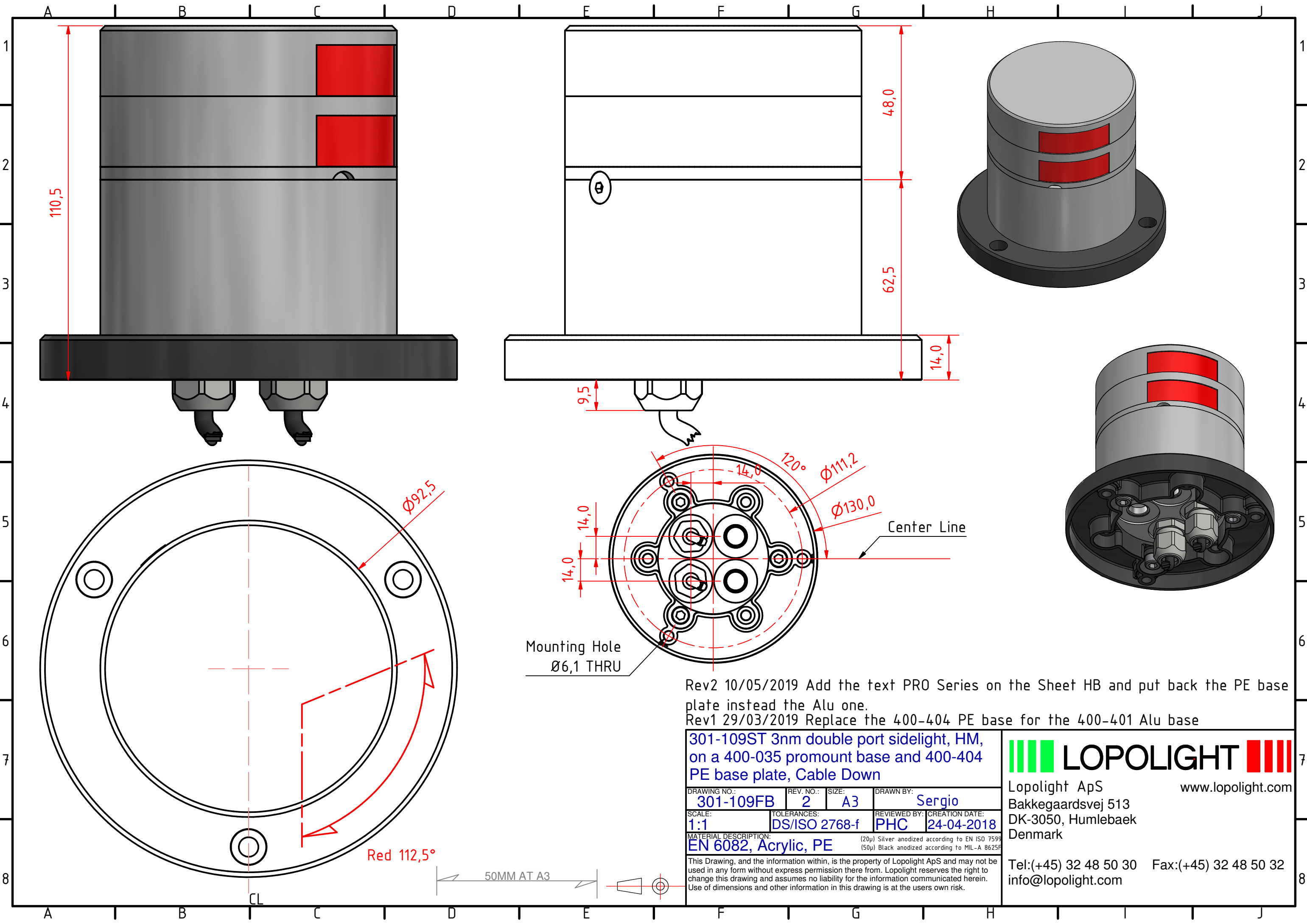
Rev2 10/05/2019 Add the text PRO Series on the Sheet HB and put back the PE base plate instead the Alu one.  
 Rev1 29/03/2019 Replace the 400-404 PE base for the 400-401 Alu base

**301-109ST 3nm double port sidelight, HM, on a 400-035 promount base, Cable Down**

DRAWING NO.:	REV. NO.:	SIZE:	DRAWN BY:
301-109EB	2	A3	Sergio
SCALE:	TOLERANCES:	REVIEWED BY:	CREATION DATE:
1:1	DS/ISO 2768-f	PHC	24-04-2018
MATERIAL DESCRIPTION:			
EN 6082, Acrylic			

(20µ) Silver anodized according to EN ISO 7599  
 (50µ) Black anodized according to MIL-A 8625F  
 This Drawing, and the information within, is the property of Lopolight ApS and may not be used in any form without express permission there from. Lopolight reserves the right to change this drawing and assumes no liability for the information communicated herein. Use of dimensions and other information in this drawing is at the users own risk.

**LOPOLIGHT**  
 Lopolight ApS  
 Bakkegaardsvej 513  
 DK-3050, Humlebaek  
 Denmark  
 www.lopolight.com  
 Tel:(+45) 32 48 50 30 Fax:(+45) 32 48 50 32  
 info@lopolight.com



Rev2 10/05/2019 Add the text PRO Series on the Sheet HB and put back the PE base plate instead the Alu one.  
 Rev1 29/03/2019 Replace the 400-404 PE base for the 400-401 Alu base

<b>301-109ST 3nm double port sidelight, HM, on a 400-035 promount base and 400-404 PE base plate, Cable Down</b>			
DRAWING NO.:	REV. NO.:	SIZE:	DRAWN BY:
301-109FB	2	A3	Sergio
SCALE:	TOLERANCES:	REVIEWED BY:	CREATION DATE:
1:1	DS/ISO 2768-f	PHC	24-04-2018
MATERIAL DESCRIPTION:			
EN 6082, Acrylic, PE (20µ) Silver anodized according to EN ISO 7599 (50µ) Black anodized according to MIL-A 8625F			

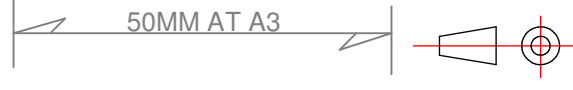
**LOPOLIGHT**

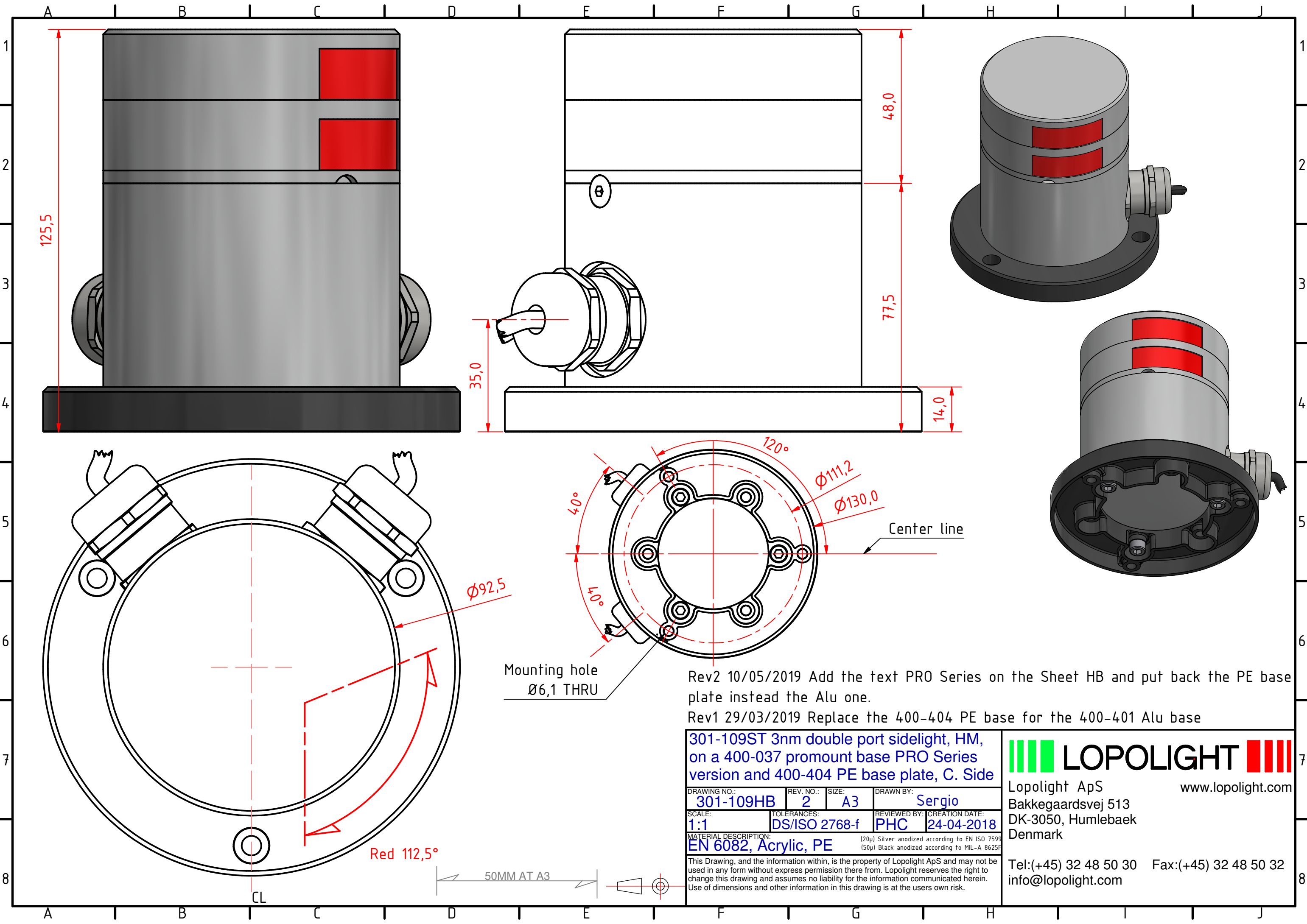
Lopolight ApS  
 Bakkegaardsvej 513  
 DK-3050, Humlebaek  
 Denmark

www.lopolight.com

This Drawing, and the information within, is the property of Lopolight ApS and may not be used in any form without express permission there from. Lopolight reserves the right to change this drawing and assumes no liability for the information communicated herein. Use of dimensions and other information in this drawing is at the users own risk.

Tel:(+45) 32 48 50 30 Fax:(+45) 32 48 50 32  
 info@lopolight.com





Rev2 10/05/2019 Add the text PRO Series on the Sheet HB and put back the PE base plate instead the Alu one.  
 Rev1 29/03/2019 Replace the 400-404 PE base for the 400-401 Alu base

**301-109ST 3nm double port sidelight, HM, on a 400-037 promount base PRO Series version and 400-404 PE base plate, C. Side**

DRAWING NO.:	REV. NO.:	SIZE:	DRAWN BY:
301-109HB	2	A3	Sergio
SCALE:	TOLERANCES:	REVIEWED BY:	CREATION DATE:
1:1	DS/ISO 2768-f	PHC	24-04-2018
MATERIAL DESCRIPTION:			
EN 6082, Acrylic, PE (20µ) Silver anodized according to EN ISO 7599 (50µ) Black anodized according to MIL-A 8625F			

This Drawing, and the information within, is the property of Lopolight ApS and may not be used in any form without express permission there from. Lopolight reserves the right to change this drawing and assumes no liability for the information communicated herein. Use of dimensions and other information in this drawing is at the users own risk.

**LOPOLIGHT**  
 Lopolight ApS [www.lopolight.com](http://www.lopolight.com)  
 Bakkegaardsvej 513  
 DK-3050, Humlebaek  
 Denmark  
 Tel:(+45) 32 48 50 30 Fax:(+45) 32 48 50 32  
 info@lopolight.com