

## LLB-45AU-08-00 LED Dimmer Constant Current LED dimmer

### LED Dimmer

An intelligent dimmer specially designed for LED lighting, it adopted the most advanced PWM (pulse-width-modulation) digital brightness-adjusting technology that enables you adjust the brightness with the infinite knob and also can adjust the brightness far away with the IR wireless controller. It is suitable for installation of commercial and household 86-style socket, you can install it visibly outside the wall or invisibly inside the wall, it can meet different brightness requirements at different time with the dimmer, also it can extend the LED life tenure and save energy, suitable to dim hi-power or low-power LED lamps.

### I. Technical Specs

Model No.: **LLB-45AU**

Input power: DC12V~DC48V

Output signal: single channel constant Voltage PWM signal

Output current: 3200-350: Constant current 350mA

Driving LED quantity: 1~12pcs hi-power 1WLED

Dimming range: 0-100%

Grey scale: 256 levels

Switch size: L87×W87(mm)

IR controller size: L86×W33(mm)

Package size: L96×W91×H61(mm)

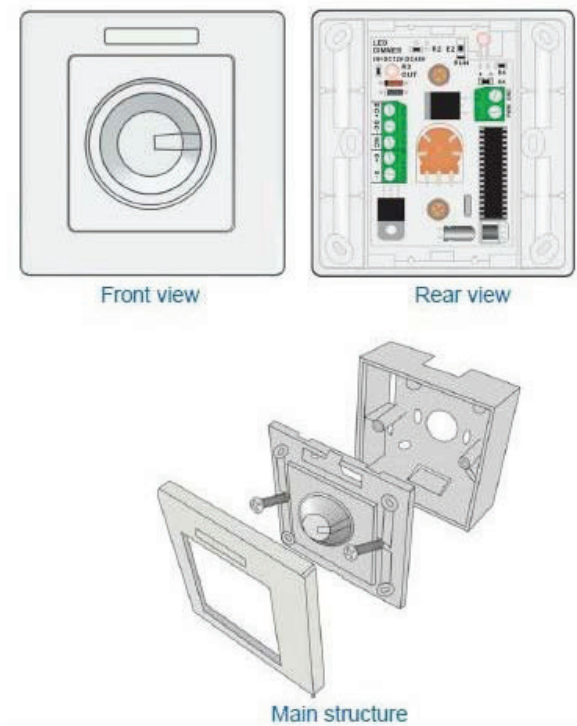
Gross weight: 200g

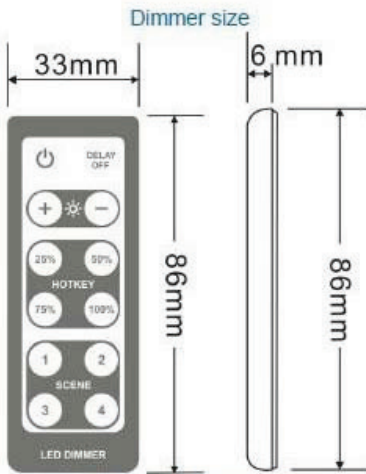
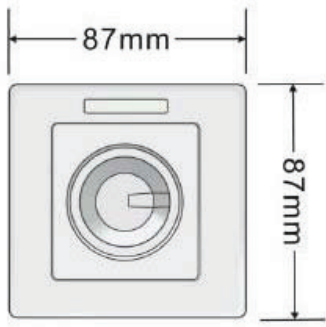
5. 4 DIY modes, with Fluorescent Indicator & delay off button, users friendly;

6. When actual power of dimmer exceeds load capability, can add extra power repeater to expand power output;

7. DMX, constant current & DMX versions available, convenient to control different LED illumination products with different circuits

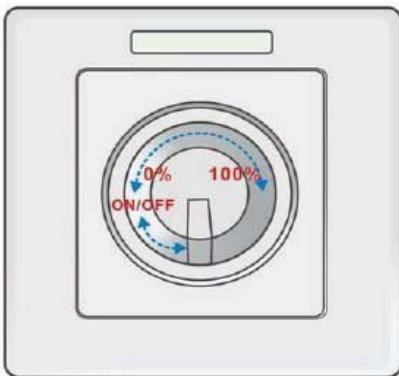
### III. Structure





IR remote controller size

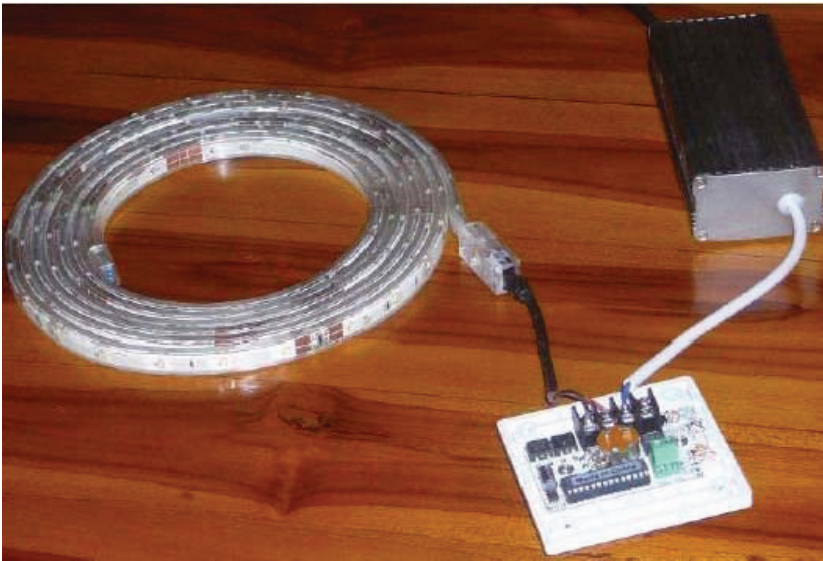
## V.Instructions



The knob of the dimmer



The definition of the key



Picture: