

1035 SERIES MAGNETIC CONTACTS

Surface Mount Self-Adhesive

Model numbers:

1035, 1035W, 1037W



- **Attractive, low-profile design**
- **Quick mounting; no screws required**
- **UL and ULC Listed**

The **Sentrol 1035 Series** magnetic contact saves installation time through the use of a specially formulated 3M® adhesive tape. The tape, which establishes a permanent bond between the contact and the surface, can be repositioned during the first 5 minutes. A low profile and small footprint combine with reliable Sentrol technology to make the 1035 Series the perfect magnetic contact for those situations where drilling holes is impractical.

Sentrol 1035 Series

Applications

Use to protect doors and windows where drilling holes is undesirable, such as thin-frame windows or on sliding glass doors.

Architectural and Engineering Specifications

The 1035 Series Surface Mount Self-Adhesive magnetic contact is 1 1/2" L x 3/8" W x 1/2" H. The reed switch and magnet are housed separately. Patented 3M® double-sided tape is provided to secure the switch and magnet to the surface. The tape can be repositioned during the first 5 minutes of use.

Specifications:

Form A (1035, 1035W)

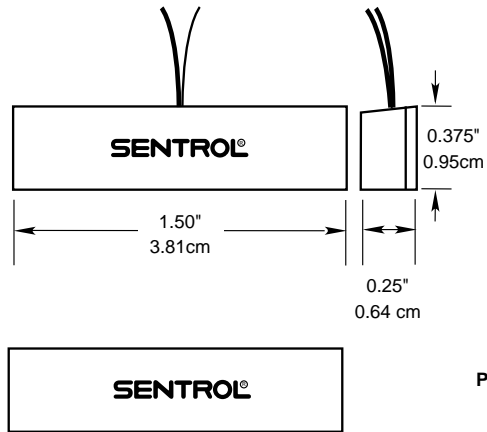
Voltage 100 V AC/DC max.
 Current..... 0.5 A max.
 Power 7.5 W max.

Form B (1036, 1036W)

Voltage 30 V AC/DC max.
 Current..... 0.25 A max.
 Power 3.0 W max.

Form C (1037, 1037W)

Voltage 30 V AC/DC max.
 Current..... 0.25 A max.
 Power 3.0 W max.



Lead Colors:

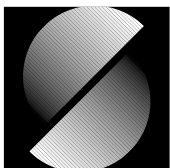
SPDT only

Black: Common
 White: Closed Loop
 Red: Open Loop

Ordering Information

Model Number	Loop type	Electrical Configuration	Colors Choices	Gap Distance *(Make)	Lead Type	Listing
1035	Closed	NO	Natural, white or mahogany brown	5/8"	12" #22 wire	UL, ULC
1035W	Closed	NO	Natural, white or mahogany brown	1"	12" #22 wire	UL, ULC
1036	Open	NC	Natural, white or mahogany brown	5/8"	12" #22 wire	UL
1036W	Open	NC	Natural, white or mahogany brown	1"	12" #22 wire	UL
1037	Open or closed	SPDT	Natural, white or mahogany brown	5/8"	12" #22 wire	UL, ULC
1037W	Open or closed	SPDT	Natural, white or mahogany brown	1"	12" #22 wire	UL, ULC

* Gap distances are nominal make distance +/- 25%. Gap Specifications are for switch to make. Break distance is approximately 1.1 to 1.5 times make.



SENTROL