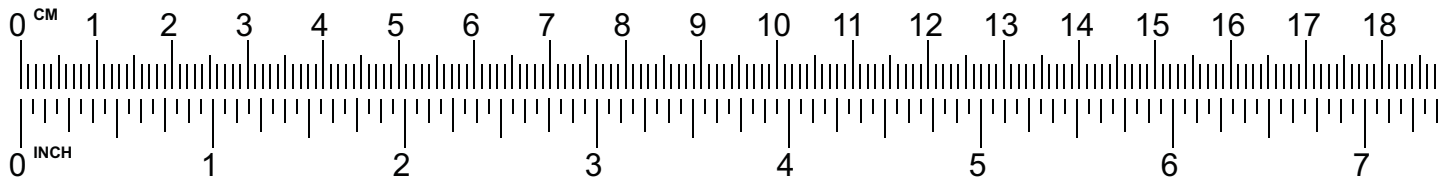
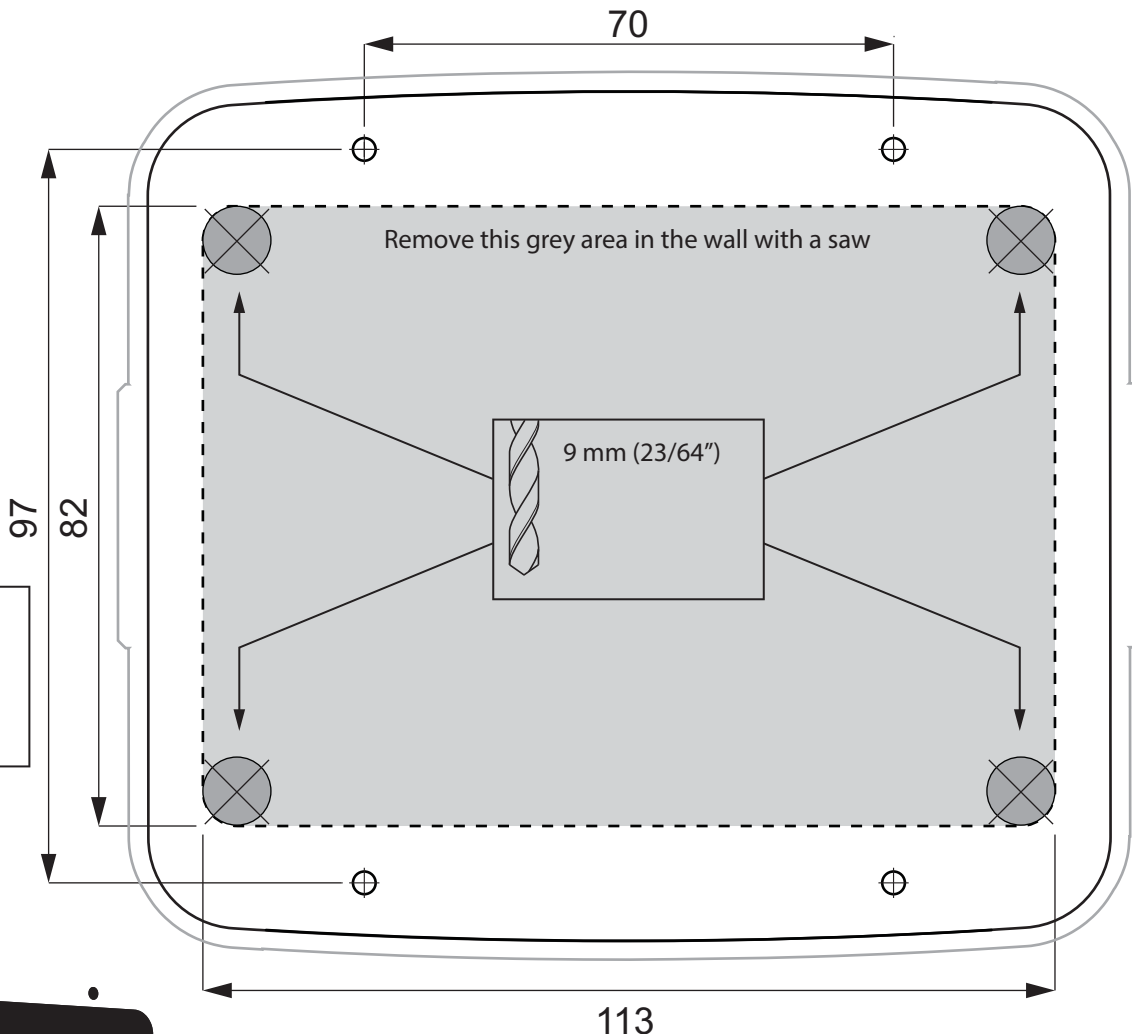
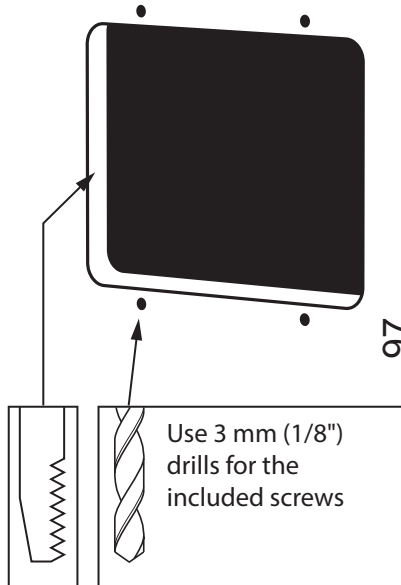


# EasyView 5 - Flush mounting instruction

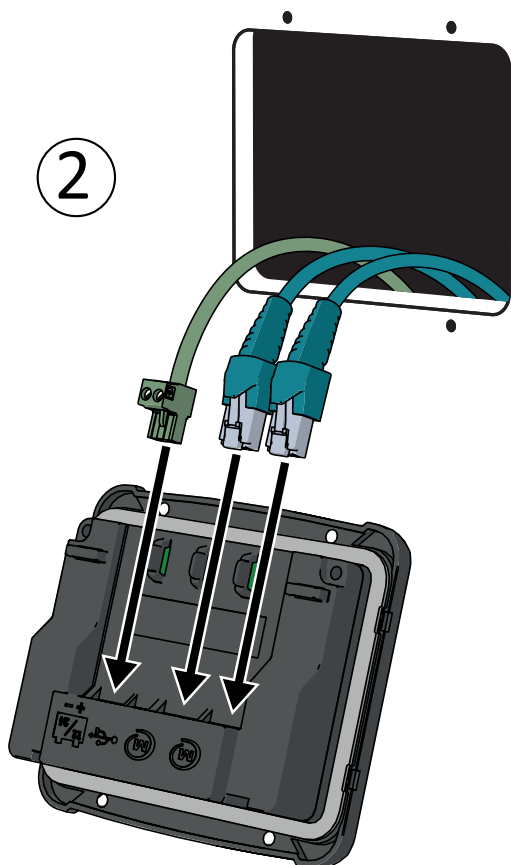
If you print this sheet from PDF: Print on scale 1:1 and verify the result with help of this ruler



1



2



3

