



**3 YEAR**  
Limited Warranty

The all new compact HRC6 and HRC8 are Maxwell's horizontal versions of the latest innovative new vertical RC6 and RC8 automatic rope/chain windlasses. The new HRC6 and HRC8 are packed with original and proven features including patented rode management technology developed by Maxwell.

**Features and benefits**

- Simple 'bolt down' installation ensures effortless and rapid on-deck installation and set up.
- Guaranteed trouble free rode transition from rope to chain, by means of an innovative, proven and patented pressure arm system, within a safe enclosed design.
- Integrated composite nylon, through deck hawse pipe for ease of installation and smooth, snag-free operation.
- High efficiency spur gearbox incorporating a robust non-backwind mechanism.
- High speed, jam-free retrieval of rope and chain controlled from a remote panel mounted Up/Down switch.
- Emergency 'free fall' function in the event of onboard power failure. Activated by the supplied, emergency 'Free Fall' lever.
- Revolutionary new chainwheel – see below.
- Heavy duty, dual direction motor incorporating new technology features, including integrated wiring for quick electrical installation.

**SPECIFICATIONS**

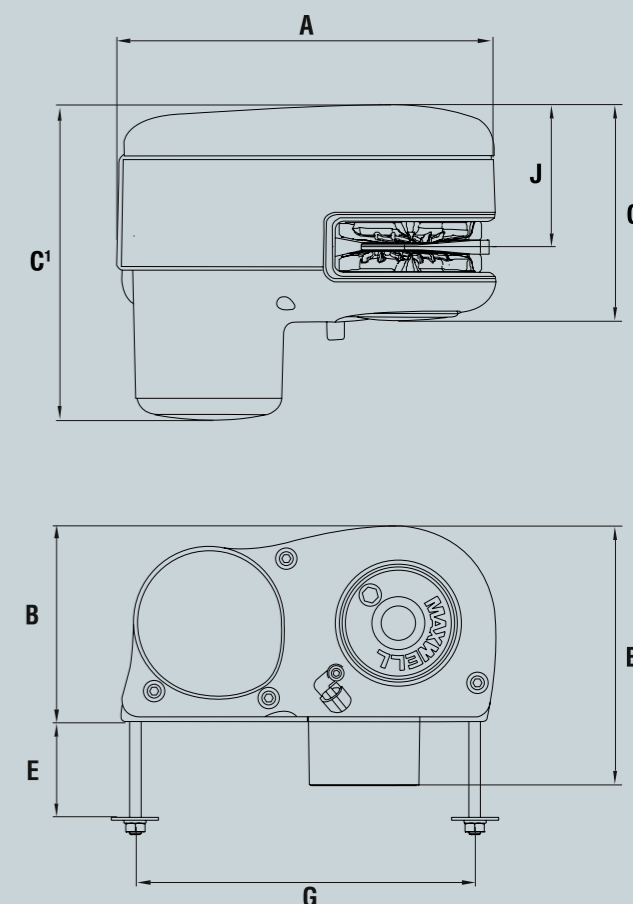
Model	HRC6	HRC8
Maximum Pull/Lift	270kg 600lbs	410kg 900lbs
Static Hold	700kg 1540lbs	700kg 1540lbs
Chain Short Link	6mm/7mm 1/4"	6mm/7mm/8mm 1/4" - 5/16"
Rope Size (Nylon)* (3 strand or 8 plait recommended)	12mm 1/2"	12mm/14mm 1/2"
Line Speed (Anchor Retrieval) Nominal 30kg working load	33m/min 108ft/min	33m/min 108ft/min
Power Supply (DC)	12V or 24V	12V or 24V
Motor Power	400W	600W
Net Weight	11.5kg 25lbs	11.5kg 25lbs

\*refer to owners manual for rope size variations.

**DIMENSIONS**

Both Models	mm	inches
A	256mm	10 1/8"
B	132mm	5 11/32"
B <sup>2</sup>	176mm	6 7/8"
C <sup>1</sup>	214mm	8 7/16"
C <sup>2</sup>	147mm	5 3/4"
E	65mm	2 1/2"
G	230mm	9 1/16"
J	96.4mm	3 7/8"

Every Maxwell automatic rope/chain windlass is available with all the necessary components for fully automatic dual direction control in a competitively priced package.



- Now incorporating Maxwell's automatic free-fall technology. Simply activate the windlass 'Free Fall' lever, operate your down control (helm station or footswitch) and the windlass will freefall your anchor. Ready to lift the anchor? Activate the up control and the 'free fall' device automatically disengages allowing you to power up your anchor.
- Aesthetically pleasing above deck design, encapsulating the motor and drive in a watertight case, saving space below deck and allowing simple routine maintenance.
- Die cast, marine-grade, alloy case is hard anodized for unsurpassed marine protection.

**STANDARD EQUIPMENT REQUIRED FOR DUAL DIRECTION CONTROL**

- Up/Down remote control panel
- Dual direction control system
- Circuit breaker/isolator panel

**OPTIONS**

- AutoAnchor™ Equipment
- Compact Remote
- Foot Switches
- Chain Stopper
- Chain Snubber

All standard and optional control accessories can be found on pages 26-29.

Every Maxwell HRC6 and HRC8 windlass comes with top works, motor/gear box and dual direction solenoid. Switches and circuit breaker are available and need to be ordered separately. Refer chart on page 34

**Important:** Maxwell windlasses must be used in conjunction with a chain stopper and/or alternative snubbing device to take the load off the windlass while laying at anchor. The chain stopper and alternative snubbing system should also be used to secure the anchor in the fully raised position while under way.



**MAXWELL'S REVOLUTIONARY NEW CHAINWHEEL**

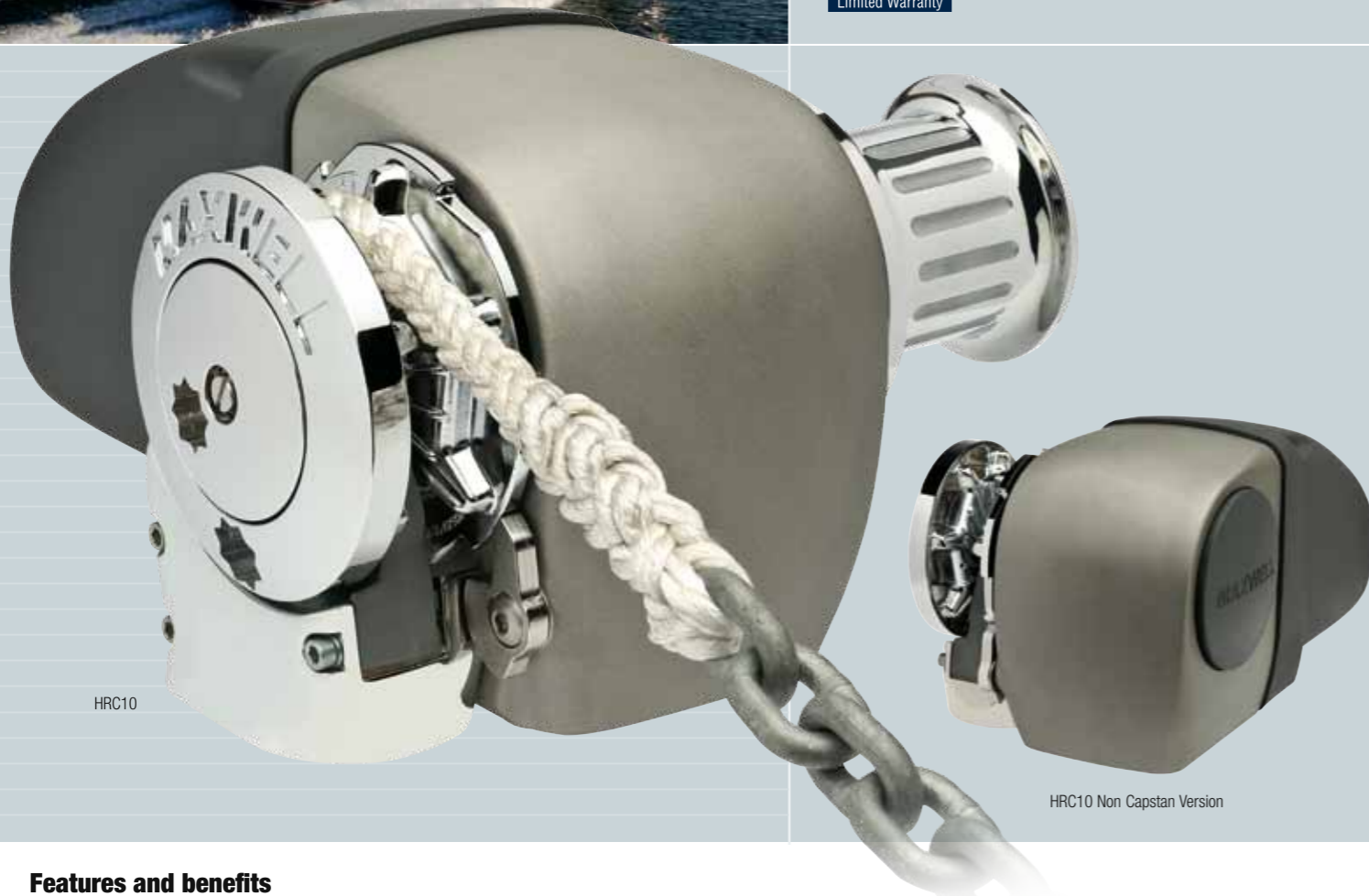
Maxwell once again leads the market in innovative thinking with the introduction of their latest Wave Design™ chainwheel. This patented rope/chain wheel incorporates two unique design concepts that greatly improve the handling and control of the rope/chain spliced rode.

The outer ribs of the chainwheel are angled slightly forward ensuring that the rope and the chain are smoothly guided in the wheel during anchor retrieval. As the rope pulls into the wheel, the opposite facing inner ribs grip the rope in an undulating manner, securing the rope more firmly in a 'wave pattern' action that is far superior to the traditional 'jam cleat' manner of holding the rope compared to all other products on the market. Not only does this Wave Design™ hold the rope more securely, it is also kinder on the rope resulting in increased longevity of your anchor rode.





**3 YEAR**  
Limited Warranty



HRC10

HRC10 Non Capstan Version

**Features and benefits**

- The all new HRC10 fully automatic horizontal windlass series is designed to effortlessly retrieve and deploy 8mm (5/16") and 10mm (3/8") short link chain and 14mm and 16mm (5/8") three strand or 8-braid (plait) rope.
- The aesthetically pleasing above deck design, evolved from the philosophy of form follows function, encapsulates the motor and drive in a two part watertight case, saving space below deck.
- The two part case consists of a die cast, marine-grade hard anodised alloy front section and a rugged and easily removable composite motor cover aft section.
- This two piece watertight case allows for quick and easy, on-deck, routine maintenance.
- Simple 'bolt down' installation ensures effortless and rapid on-deck installation and set up.
- The stainless steel pressure arm always exerts maximum control pressure on the rode (rope, splice or chain).
- The new and revolutionary patented Wave Design™ chainwheel is able to accommodate a wide range of chain pitch differences, within the specified chain size diameters, suitable for use with the HRC10 Series. Refer page 21 for more information about this innovative feature.
- The unique Maxwell 'wrap around' horizontal chainwheel ensures that more than 90° of the wheel is used, allowing greatly improved rope and chain handling compared with competitor designs.
- The HRC10 works just as effectively with all-chain rodes for those who desire the added security and holding power of an all-chain anchor system.
- The integral chain pipe and huge, through deck hawse pipe throat ensures easy entry of the rope/chain rode into and out of the anchor locker.
- Cone type clutch/brake mechanism permits manual, 'free fall' anchoring and emergency crank recovery of the rode and anchor if required.
- The sealed oil bath and marine-grade hard anodised, alloy gearbox provides high efficiency output drive via precision worm and wormwheel.

**SPECIFICATIONS**

Model	HRC10-8* 8mm - 5/16"	HRC10-10* 10mm - 3/8"
Maximum Pull/Lift	700kg 1540lbs	850kg 1870lbs
Static Hold	1500kg 3300lbs	1500kg 3300lbs
Chain Short Link	8mm 5/16"	10mm 3/8"
Rope Size	14mm - 16mm 5/8"	16mm 5/8"
Chain Speed (Anchor Retrieval)	24m/min 79ft/min	24m/min 79ft/min
Rope Speed (Anchor Retrieval)	20m/min 65ft/min	20m/min 65ft/min
Power Supply (DC)	12 or 24V	12 or 24V
Motor (Watts)	1000W	1200W
Net Weight	19kg 42lbs	20kg 44lbs
Hydraulic Pressure	138bar 2000psi	138bar 2000psi
Hydraulic Flow	20L/min 5.3 USgal/min	20L/min 5.3 USgal/min
Net Weight - Hyd	13kg 28 1/2lbs	13kg 28 1/2lbs

**Non Capstan Version.** Weight is 1kg/2.2lbs less than above indicated.  
\*8mm - 5/16" or 10mm - 3/8" chainwheels can be used on either of the above models

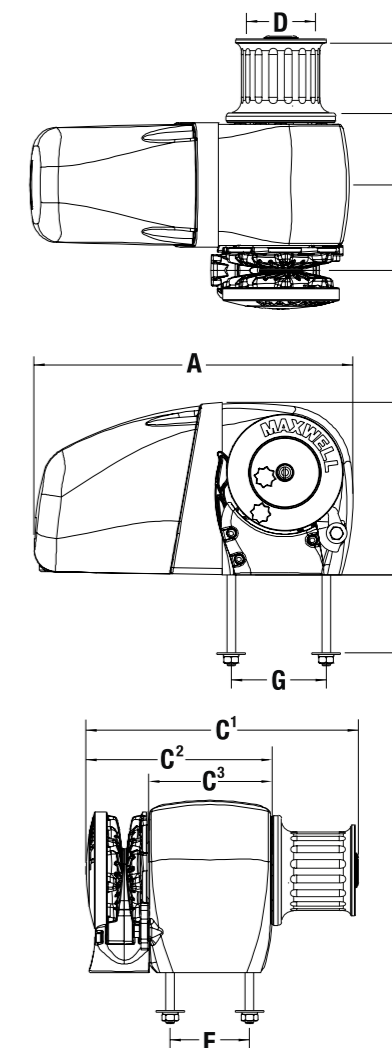
**DIMENSIONS**

Model	HRC10-8* 8mm - 5/16"	HRC10-10* 10mm - 3/8"
A	369mm 14 9/16"	369mm 14 9/16"
B	199mm 7 7/8"	199mm 7 7/8"
C <sup>1</sup>	316mm 12 1/2"	316mm 12 1/2"
C <sup>2</sup>	225mm 8 7/8"	225mm 8 7/8"
C <sup>3</sup>	140mm 5 1/2"	140mm 5 1/2"
D	80mm 3 3/16"	80mm 3 3/16"
E (standard deck clearance)	90mm 3 9/16"	90mm 3 9/16"
F	92mm 3 9/16"	92mm 3 9/16"
G	110mm 4 3/8"	110mm 4 3/8"
H	80mm 3 3/16"	80mm 3 3/16"
J	99mm 4"	99mm 4"

**Important:** Maxwell windlasses must be used in conjunction with a chain stopper and/ or alternative snubbing device to take the load off the windlass while laying at anchor. The chain stopper and alternative snubbing system should also be used to secure the anchor in the fully raised position while under way.



The new improved HRC10 Horizontal Series windlasses proudly follow in the highly successful footsteps of Maxwell's previous, fully automatic rope/chain anchor winches.



**STANDARD EQUIPMENT REQUIRED FOR DUAL DIRECTION CONTROL**

- Circuit breaker/isolator panel
- Dual direction solenoid pack
- Up/Down remote control panel
- Emergency crank/clutch release handle

**OPTIONS**

- AutoAnchor™ Equipment
- Compact Remote
- Foot Switches
- Chain Stopper or Chain Snubber

All standard and optional control accessories can be found on pages 26-29.

Every Maxwell HRC10 windlass comes with top works, motor/gear box and dual direction solenoid. Switches and circuit breaker are available and need to be ordered separately. Refer chart on page 34.

Every Maxwell automatic rope/chain windlass is available with all the necessary components for fully automatic dual direction control in a competitively priced package.