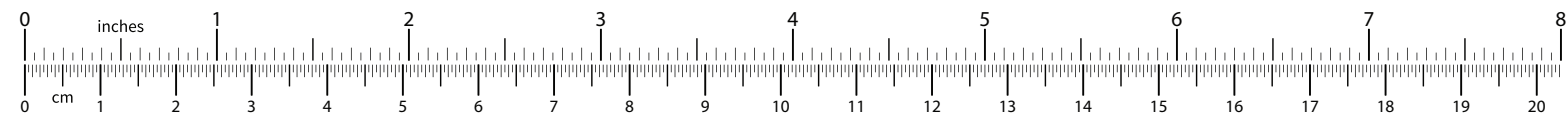




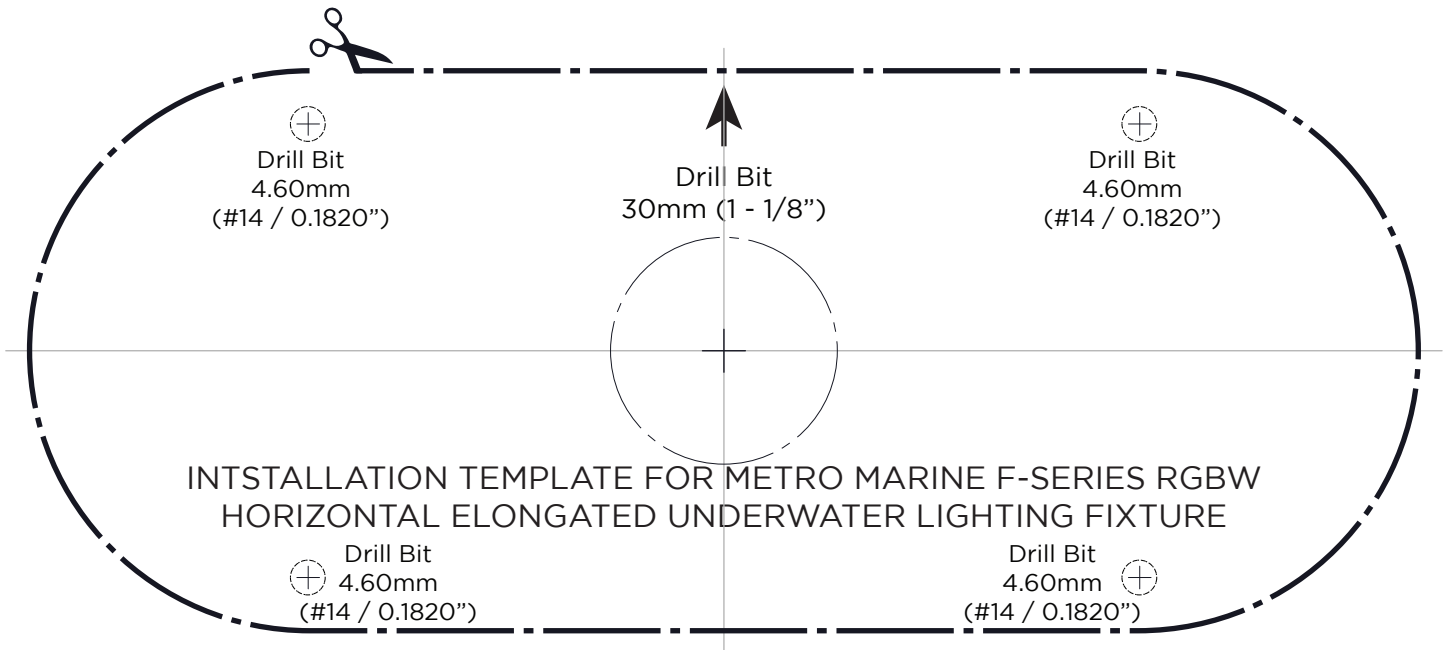
IMPORTANT



Please print without scaling and confirm print out dimensions are accurate to scale below



METRO MARINE F-SERIES RGBW ELONGATED HORIZONTAL UNDERWATER LIGHTING FIXTURE Installation Mounting Template



- 1) Cut the template along the marked line with scissors and align arrow with vertical.
- 2) Place the template in the desired location, use a light adhesive or tape to hold it in place.
- 3) Using a 30mm or 1 - 1/8" drill bit or step drill bit, drill center hole clean through.
- 4) Using a 4.6mm or #14 drill bit, drill the 4 holes for the four 5.0mm mounting screws.
- 5) Remove template and discard.

