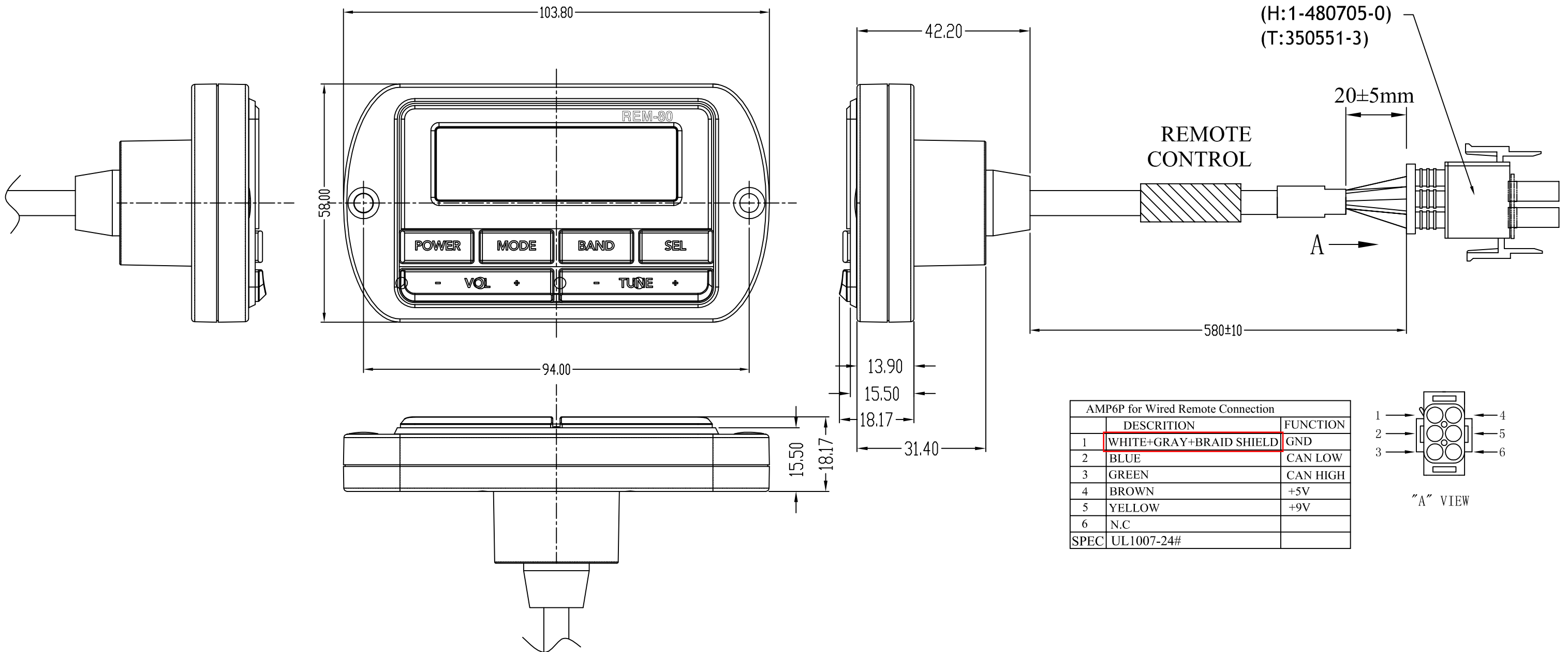
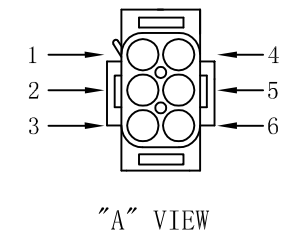


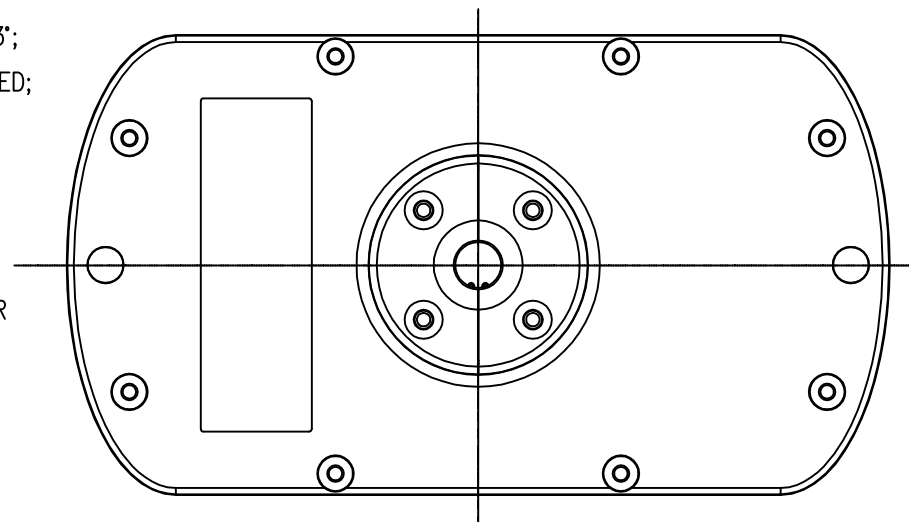
REV.	DESCRIPTION	PROJECT /DATE	APPROVAL /DATE
V1.1	Correct AMP6P pin1 wire color	2019.1.22	



AMP6P for Wired Remote Connection		
	DESCRIPTION	FUNCTION
1	WHITE+GRAY+BRAID SHIELD	GND
2	BLUE	CAN LOW
3	GREEN	CAN HIGH
4	BROWN	+5V
5	YELLOW	+9V
6	N.C	
SPEC	UL1007-24#	



- NOTES:
1. U.O.S. GEN. TOLERANCES  $\pm 0.1$  . ANGLE  $\pm 0.3^\circ$ ;
  2. ALL CORNER SHOULD BE R0.3 UNLESS SPECIFIED;
  3. ALL WALL THK. SHOULD BE 1.6MM UNLESS SPECIFIED;
  4. ALL RIB THK. SHOULD BE 1.0MM UNLESS SPECIFIED;
  5. PARTS MUST FREE OF FLASH, SHRINK MARK OR ANY MOLDING IMPERFECTION;
  6. ALL 'R' ARE QUADRANT OF ARC UNLESS SPECIFIED;



AUDIO DEVELOPMENT ORGANIZATION			
DESCRIPTION: <b>Layout</b>		MODEL NO.: <b>REM-80</b>	
MATERIAL/COLOUR:		PART NO.:	
FINISH:		SCALE: <b>1 : 1</b>	REV.:
DRAWN:		CHK BY: <i>Alice Yu.</i>	APPR BY: <b>V1.1</b>
DATE:		DATE: <b>2019-1-22</b>	DATE:
UNIT: <b>MM</b>	*** DO NOT SCALE DRAWING ***		A3

ALL DIMENSIONS ARE IN MM