

# **TALON BMS SIDE SHIM KIT 1810212**

**THE BMS SIDE SHIM KIT ONLY NEEDS TO BE USED WHEN RIGGING A SIDE MOUNT TALON ADAPTER BRACKET ON THE SIDE OF A BOBS MACHINE SHOP HYDRAULIC JACKPLATE.**

THE BMS SIDE SHIM KIT FILLS IN THE RECESS ON THE SIDE OF A BOBS MACHINE SHOP JACKPLATE - USUALLY WHERE THE DECAL IS PLACED - AND IS DESIGNED TO BE USED WITH A MINN KOTA JACK PLATE SIDE MOUNTED TALON ADAPTER BRACKET.

**INSTALLATION:** TALON BMS SIDE SHIM ON BOBS MACHINE SHOP HYDRAULIC JACK PLATE

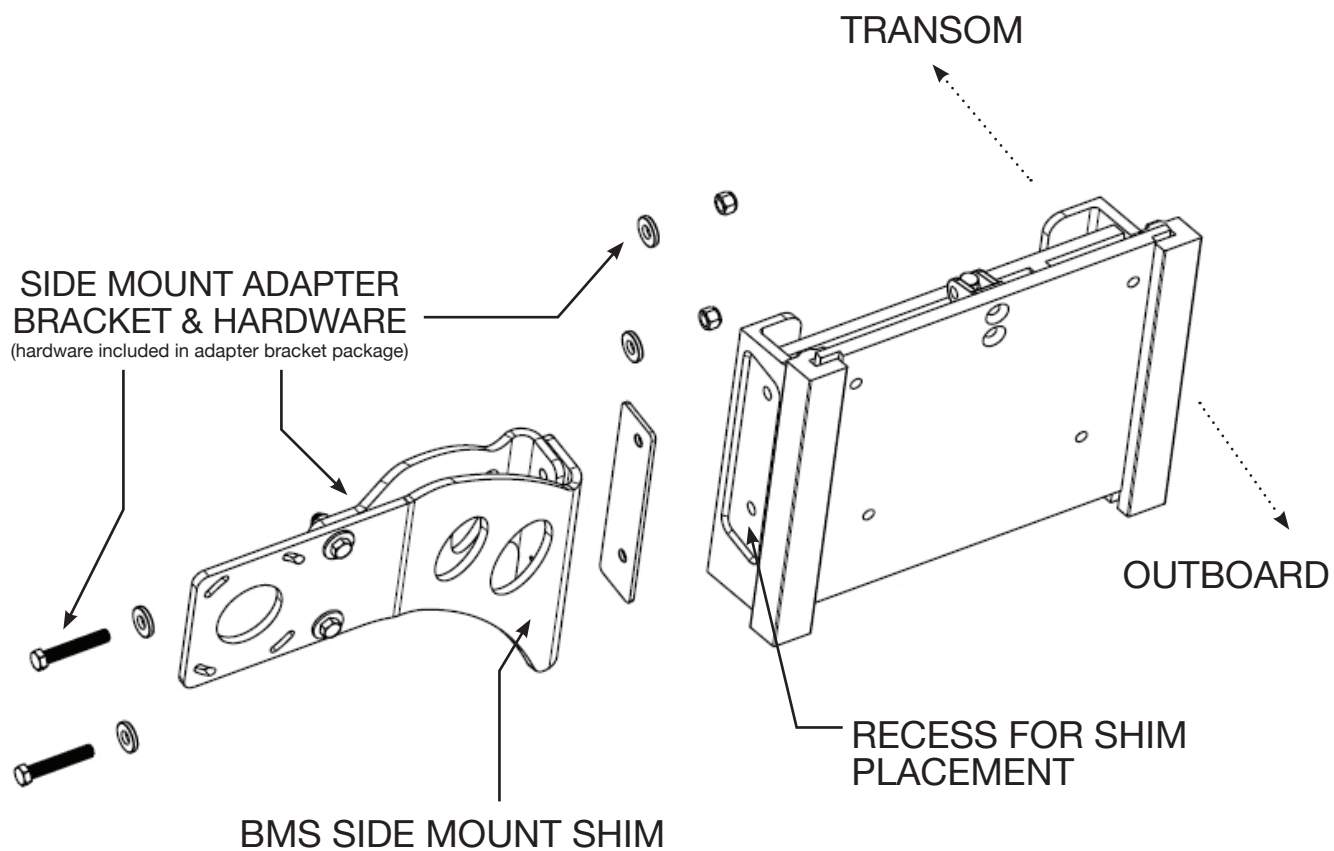
**WARNING:** DRILLING INTO THE SIDE OF A BOBS MACHINE SHOP JACK PLATE MAY VOID YOUR WARRANTY. MINN KOTA IS NOT RESPONSIBLE FOR DAMAGES THAT MAY RESULT. CONTACT YOUR JACK PLATE DEALER BEFORE DRILLING.

1. PLACE THE BMS SIDE SHIM INTO THE RECESS ON THE SIDE OF THE JACK PLATE YOU INTEND TO MOUNT YOUR TALON TO.
2. THE HOLES IN THE SHIM ARE NOT CENTERED. THE SHIM MUST BE PLACED SO THAT THE HOLES ARE ORIENTED UP AND AWAY FROM THE BOAT WHEN MARKING WHERE TO DRILL.
3. BEFORE DRILLING, BE SURE THERE ARE NO ELECTRICAL OR HYDRAULIC LINES, OR OTHER OBSTACLES THAT COULD GET DAMAGED FROM DRILLING.
4. ONCE THE HOLES ARE MARKED, CENTER PUNCH, AND DRILL (2) 9/16" HOLES IN THE MARKED LOCATION THRU THE SIDE OF THE JACK PLATE.
5. PLACE THE SHIM INTO THE RECESS AND INSTALL YOUR TALON JACK PLATE SIDE MOUNT ADAPTER BRACKET ON TOP OF THE SHIM, RUNNING THE BOLTS THRU THE ALIGNED HOLES YOU JUST DRILLED, AND FOLLOW THE REST OF THE INSTALLATION INSTRUCTIONS FOR THE ADAPTER BRACKET.

#### LIMITED TWO-YEAR WARRANTY:

Johnson Outdoors Inc. warrants to the original purchaser that the purchaser's Talon adapter bracket is free from defects in materials and workmanship appearing within two (2) years after the date of purchase.

This warranty does NOT apply in the following circumstances: (1) when the product has been installed, combined, altered, adjusted, or handled in a manner other than according to the instructions furnished with the product; (2) when any defect, problem, loss, or damage has resulted from or caused by normal wear and tear, blemishes that do not affect the functionality of the product, or accidents, abuse, alteration, modification, misuse or improper care or maintenance in accordance with the instructions of the owner's manual for the motor.



**MOUNTING EXAMPLE:** 6" SETBACK, PORT, JACK PLATE MOUNTED ADAPTER BRACKET ON BOBS MACHINE SHOP JACK PLATE USING SIDE MOUNT SHIM.