

# TALON ADAPTER BRACKETS

## UNIVERSAL OFFSET FOR PORT/STARBOARD APPLICATIONS

### 1810302 - 1810303

**ATTACHING THE ADAPTER BRACKET WILL REQUIRE REMOVAL OF THE OUTBOARD ENGINE AND/OR JACKPLATE. MINN KOTA RECOMMENDS THAT THE INSTALLATION BE PERFORMED BY A MARINE DEALER OR SERVICING CENTER.**

**NOTE: USE THE SUPPLIED ANTI-SEIZE ON ALL FASTENERS TO PREVENT GALLING OF THE NUT.**

THE ADAPTER PLATE CAN BE POSSIBLY MOUNTED 3 WAYS: BETWEEN THE OUTBOARD AND TRANSOM OR BETWEEN THE JACKPLATE AND TRANSOM OR BETWEEN THE OUTBOARD AND JACKPLATE. THE MOUNTING INSTRUCTIONS ARE DESCRIBED BELOW AND WILL BE SIMILAR FOR ALL INSTALLATION METHODS OR JACK PLATE OFFSET DISTANCES.

#### **INSTALLATION WITHOUT JACKPLATE**

1. Support the outboard and remove the hardware that attaches the outboard to the boat transom.  
**TIP:** The outboard doesn't have to be completely removed. Remove the 2 mounting bolts from one side and loosen the mounting bolts on the opposite side. Tilt motor for step 3 below. Repeat for opposite side to complete step 4 below).
2. Apply marine grade silicon to the transom side mounting holes of the adapter bracket and shim bracket.
3. Install the adapter plate between the outboard and transom on the port or starboard side. Re-install the mounting hardware loosely. See diagram 1, back page.
4. Install the shim bracket between the outboard and transom on the opposite side as step 3 and reinstall the mounting hardware loosely.
5. Once adapter bracket is positioned, tighten and torque the mounting hardware to the manufacturer's specifications.
6. Attach the Talon mounting bracket to the adapter plate using the provided 5/16" hardware and tighten, making sure to apply anti-seize to all fasteners.
7. Slide the Talon down onto the mounting bracket and tighten the (4) four vertical adjustment nuts.

#### **INSTALLATION BETWEEN JACKPLATE AND TRANSOM (ANY MANUFACTURER)**

1. Support the outboard / jackplate and remove the hardware that attaches the jackplate to the boat transom.  
**TIP:** The outboard doesn't have to be completely removed. Remove the 2 mounting bolts from one side and loosen the mounting bolts on the opposite side. Tilt motor for step 3 below. Repeat for opposite side to complete step 4 below).
2. Apply marine grade silicon to the transom side mounting holes of the adapter bracket and shim bracket.
3. Install the adapter plate between the jackplate and transom on the port or starboard side. Re-install the mounting hardware loosely. See diagram 2, back page.
4. Install the shim bracket between the jackplate and transom on the opposite side as step 3 and reinstall the mounting hardware loosely.
5. Once adapter bracket is positioned, tighten and torque the mounting hardware to the manufacturer's specifications.

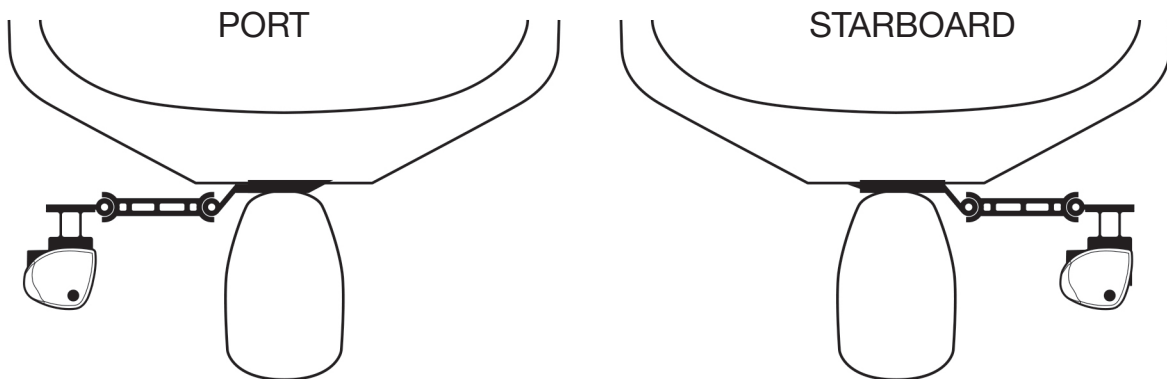
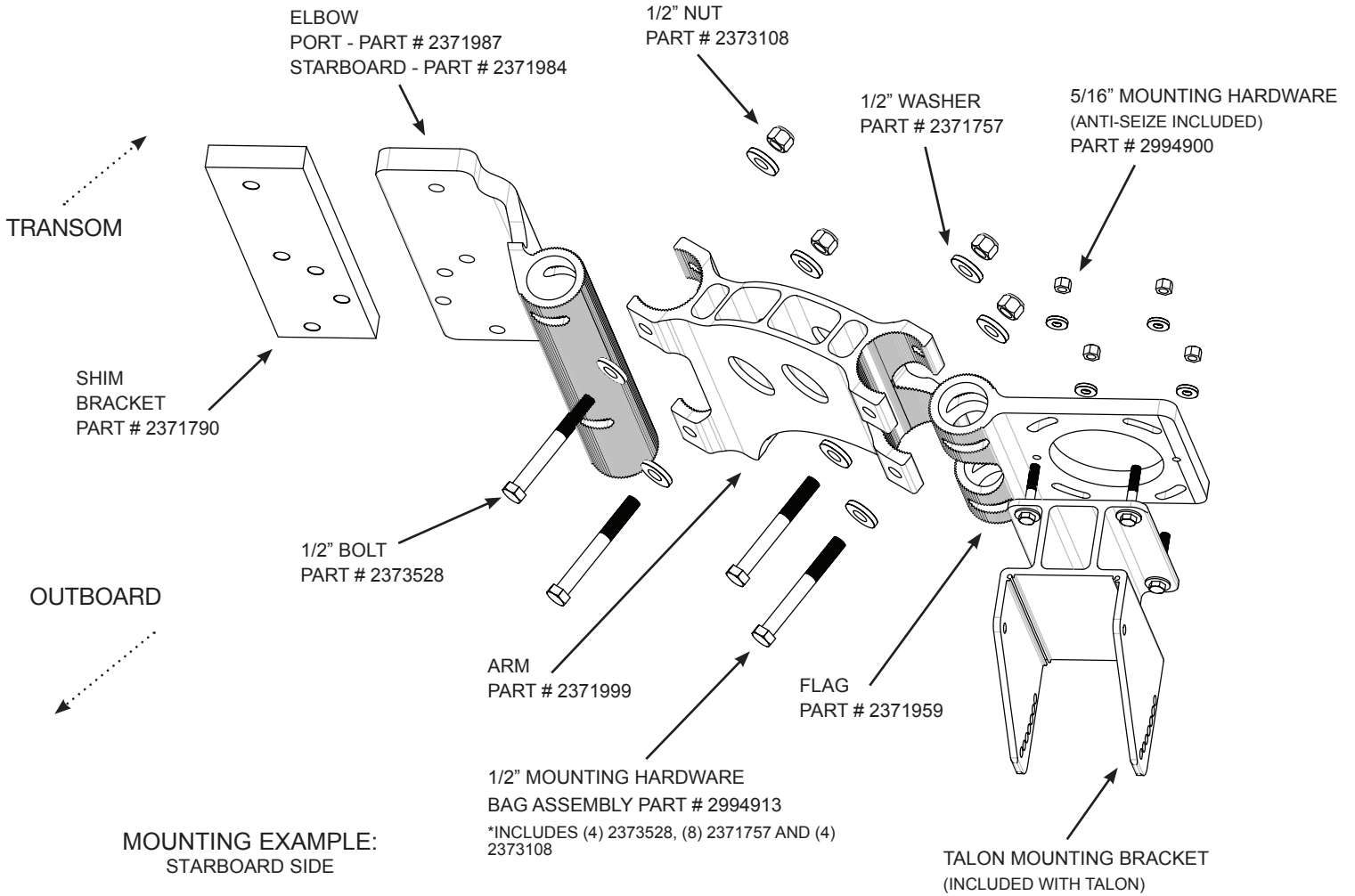
**NOTE: BE SURE TO POSITION THE HEAVY DUTY 5/16" WASHERS OVER THE SLOTS ON THE INBOARD SIDE OF THE ADAPTER BRACKET.**

6. Attach the Talon mounting bracket to the adapter plate using the provided 5/16" hardware and tighten, making sure to apply anti-seize to all fasteners.
7. Slide the Talon down onto the mounting bracket and tighten the (4) four vertical adjustment nuts.

#### **INSTALLATION BETWEEN JACKPLATE AND OUTBOARD**

**NOTE: THIS INSTALLATION METHOD IS NOT COMPATIBLE WITH ATLAS JACKPLATES (ALL OFFSETS). INSTALLATION WITH BOBS MACHINE SHOP JACKPLATES WILL REQUIRE SPACER BLOCK KIT 1810211.**

1. The installation instructions will be the same as either method described above, but the hardware attaching the outboard to the jackplate (step 1) will need to be removed and no marine grade silicon will be required (step 2) when mounting between the jackplate and outboard.



**NOTE:** IF AN ADAPTER BRACKET NEEDS TO BE MOUNTED TO BOTH THE PORT AND STARBOARD SIDE, THE SHIM BRACKETS WILL NOT BE USED AND WILL BE REPLACED WITH ANOTHER ADAPTER BRACKET FOR THAT SIDE. IF THE BOAT IS TO BE RIGGED THAT WAY, IT MAY BE NECESSARY TO REMOVE A FACTORY EQUIPPED E-LADDER FOR PROPER BRACKET INSTALLATION. DUE TO THE WIDE VARIETY OF E-LADDERS, MINN KOTA IS NOT RESPONSIBLE FOR THE RE-INSTALLATION OR RE-LOCATION OF ANY FACTORY EQUIPPED E-LADDER.

### LIMITED FIVE-YEAR WARRANTY

Johnson Outdoors Inc. warrants to the original purchaser that the purchaser's Talon adapter bracket is free from defects in materials and workmanship appearing within five (5) years after the date of purchase.

This warranty does NOT apply in the following circumstances: (1) when the product has been installed, combined, altered, adjusted, or handled in a manner other than according to the instructions furnished with the product; (2) when any defect, problem, loss, or damage has resulted from or caused by normal wear and tear, blemishes that do not affect the functionality of the product, or accidents, abuse, alteration, modification, misuse or improper care or maintenance in accordance with the instructions of the owner's manual for the motor.