

SS175C—Tilted Element™

NEW!



- SS175CL—7-Internal Broadband Ceramic Assemblies
- SS175CM & SS175CH—1-Internal Broadband Ceramic Assembly
- Available in 0°, 12°, or 20° tilted version
- Depth & fast-response water-temperature sensor
- Stainless Steel transducer housing
- Hull Type: Steel or aluminum
- Boat Size: Up to 11m (36')
- Useable shaft length ~ 71mm (2.80")

Low-Frequency (L)

- Low—Chirps from 40 kHz to 60 kHz, 32° to 21° beamwidth
- 20 kHz of total bandwidth from one transducer
- Covers popular fishing frequency of 50 kHz plus everything else in the bandwidth

Medium-Frequency (M)

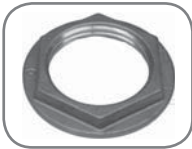
- Medium—Chirps from 85 kHz to 135 kHz, 24° to 16° beamwidth
- 50 kHz of total bandwidth from one transducer
- Covers popular fishing frequencies of 88 and 107 kHz plus everything else in the bandwidth

Medium-frequency benefits include the ability to sound deeper than the high-frequency, along with better target resolution than the low-frequency.

High-Frequency (H)

- High—Chirps from 130 kHz to 210 kHz, 15° to 9° beamwidth
- 80 kHz of total bandwidth from one transducer
- Covers popular fishing frequency of 200 kHz plus everything else in the bandwidth

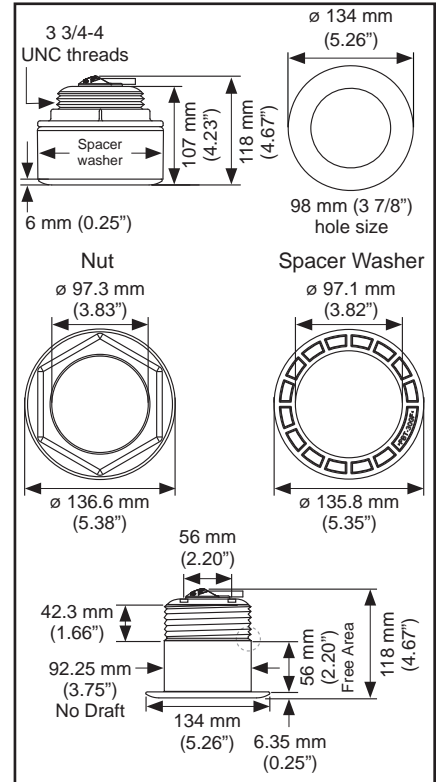
Parts & Accessories



Hull Nut:
02-136-02



Single Handle Wrench:
175WR-4



Requires 4" hole when using Isolation Bushing

SS175C—0° Transducers—Single transducer for each frequency band (L, M, H)

	No Connector	SS175C-0-L (0° Low-Frequency)	\$ CALL
		SS175C-0-M (0° Medium-Frequency)	\$ CALL
		SS175C-0-H (0° High-Frequency)	\$ CALL
		SS175C (Available for Raymarine CP450C. Must be used in pairs with A102146 "Y" Cable)	\$ CALL

SS175C—12° Transducers—Single transducer for each frequency band (L, M, H)

	No Connector	SS175C-12-L (12° Low-Frequency)	\$ CALL
		SS175C-12-M (12° Medium-Frequency)	\$ CALL
		SS175C-12-H (12° High-Frequency)	\$ CALL
		SS175C (Available for Raymarine CP450C. Must be used in pairs with A102146 "Y" Cable)	\$ CALL

SS175C—20° Transducers—Single transducer for each frequency band (L, M, H)

	No Connector	SS175C-20-L (20° Low-Frequency)	\$ CALL
		SS175C-20-M (20° Medium-Frequency)	\$ CALL
		SS175C-20-H (20° High-Frequency)	\$ CALL
		SS175C (Available for Raymarine CP450C. Must be used in pairs with A102146 "Y" Cable)	\$ CALL