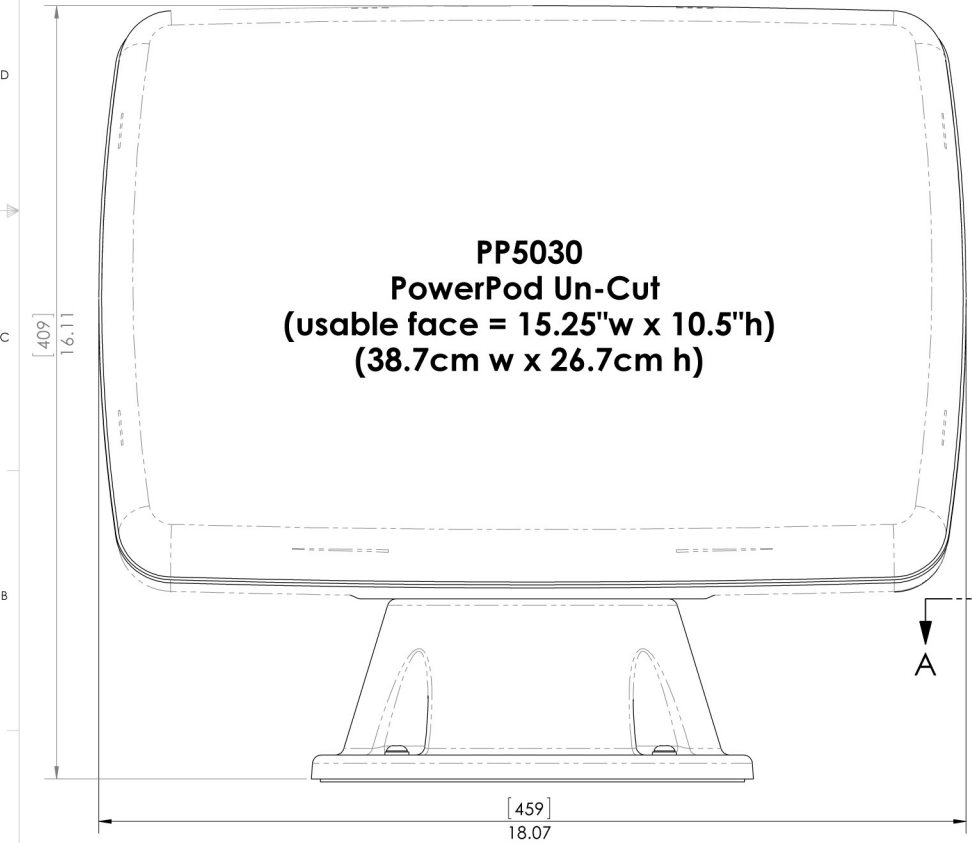
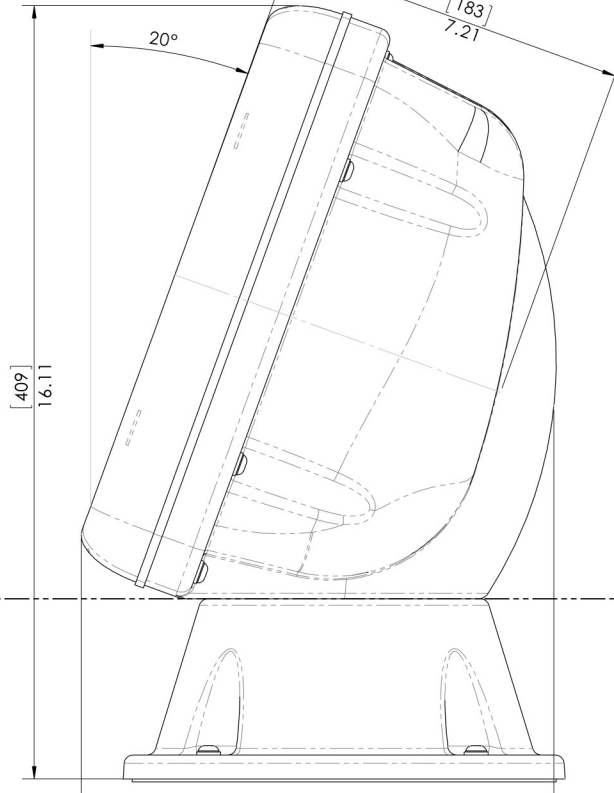


SECTION A-A
SCALE 1 : 2



**PP5030
PowerPod Un-Cut
(usable face = 15.25"w x 10.5"h)
(38.7cm w x 26.7cm h)**



PP5030 Series Sizing Chart				
	Overall	Usable Face	Max Cutout	Base Footprint
Height	16.33	10.5	10.4	
Width	17.9	15.25	15.5	Ø9.21
Depth	10.26	5.5		Ø9.21

PROPRIETARY AND CONFIDENTIAL
THE INFORMATION CONTAINED IN THIS DRAWING IS THE SOLE PROPERTY OF OCEAN EQUIPMENT. ANY REPRODUCTION IN PART OR AS A WHOLE WITHOUT THE WRITTEN PERMISSION OF OCEAN EQUIPMENT IS PROHIBITED.

UNLESS OTHERWISE SPECIFIED: DIMENSIONS ARE IN INCHES TOLERANCES: FRACTIONAL ± 1/16" ANGULAR: MACH ± 0.5° BEND ± 1° TWO PLACE DECIMAL ±0.13 THREE PLACE DECIMAL ±0.125	DRAWN	NAME	DATE
	CHECKED	MDJ	3/16/2017
	ENG APPR.		
	MFG APPR.		
	Q.A.		
	COMMENTS:		
			Revision March 15, 2017
MATERIAL: Acrylic: Capped ABS	USED ON		
FINISH: High Gloss White	APPLICATION		
		DO NOT SCALE DRAWING	

NavPod OCEAN EQUIPMENT
Waterproof Housings for Marine Electronics NavPod.com

OCEAN EQUIPMENT
TITLE: **PP5030**

SIZE DWG. NO. REV
C PP5030 2

SCALE: 1:4 WEIGHT: SHEET 1 OF 1