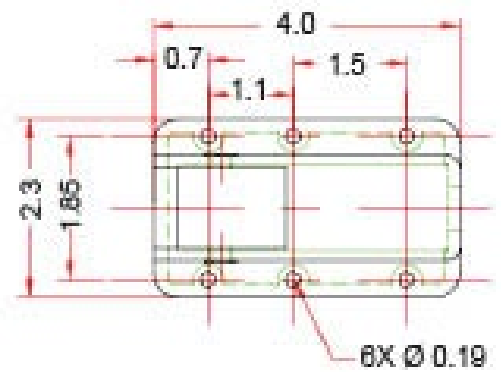
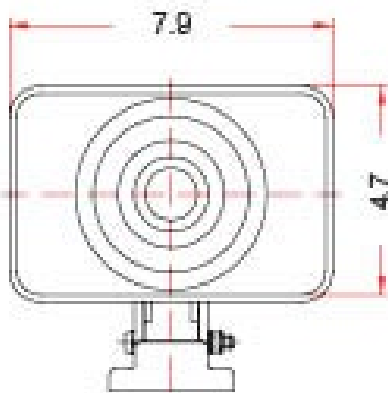
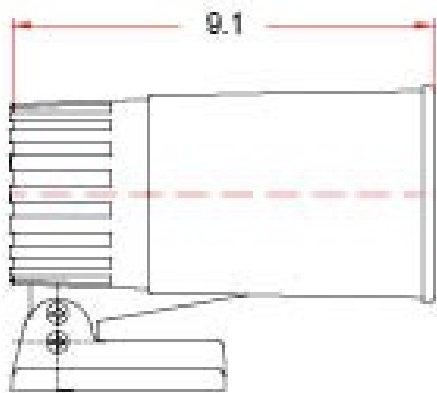


Bracket Feet Pattern



PA-30/20