



Take control of your OceanLED Colours or Dual underwater lights via the OceanDMX RC

KEY FEATURES



Colours Control



Dual Blue/White



Up to 4 Zones



Up to 8 Remotes



Touch Sensitive



Dynamic Scenes

The OceanDMX RC allows you to remotely control the RGBW colour or dual colour LED lighting system installed on your boat via the DMX protocol (the lighting system must be DMX compatible).

The remote has 3 programmable scenes with up to 10 pre-set modes, including a pause function. You can use up to 8 different remotes to control your lights with just 1 receiver.

The kit consists of the hand-held push button remote control, provided with a waterproof pouch, and the IP68 waterproof DMX Receiver.

The remote has a range of up to 20 meters* and connects with the receiver using radio frequency (RF).

The OceanDMX RC has the ability to connect to 4 zones independently**, therefore you can control your transom lights independently from your port/starboard lights.

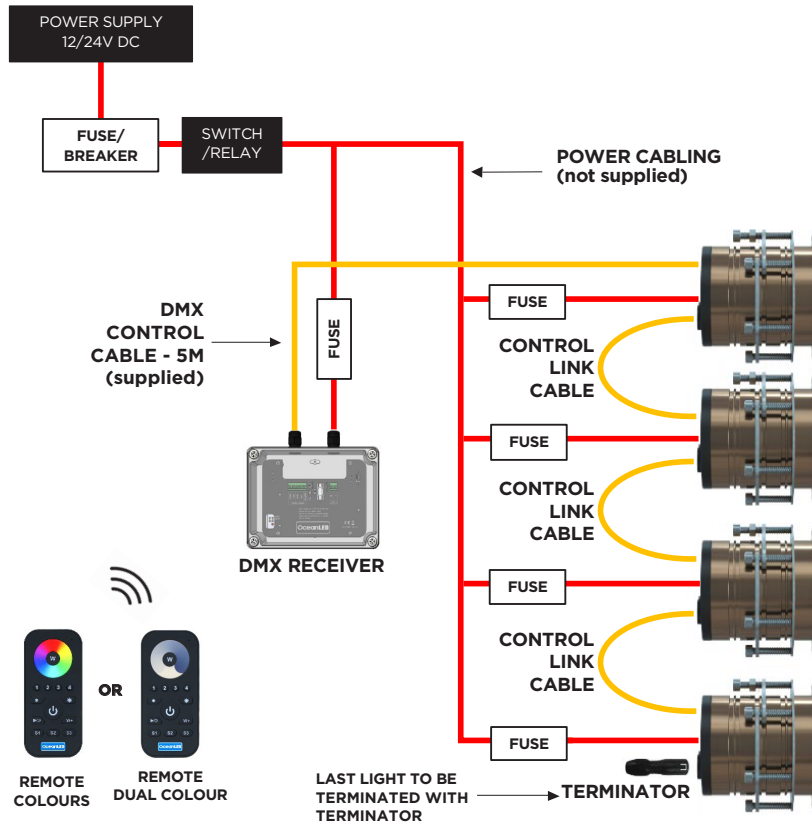
The OceanDMX RC can also be used with other 3rd party DMX systems, such as deck lighting, boat signage etc.

Please see instruction manual for more details.

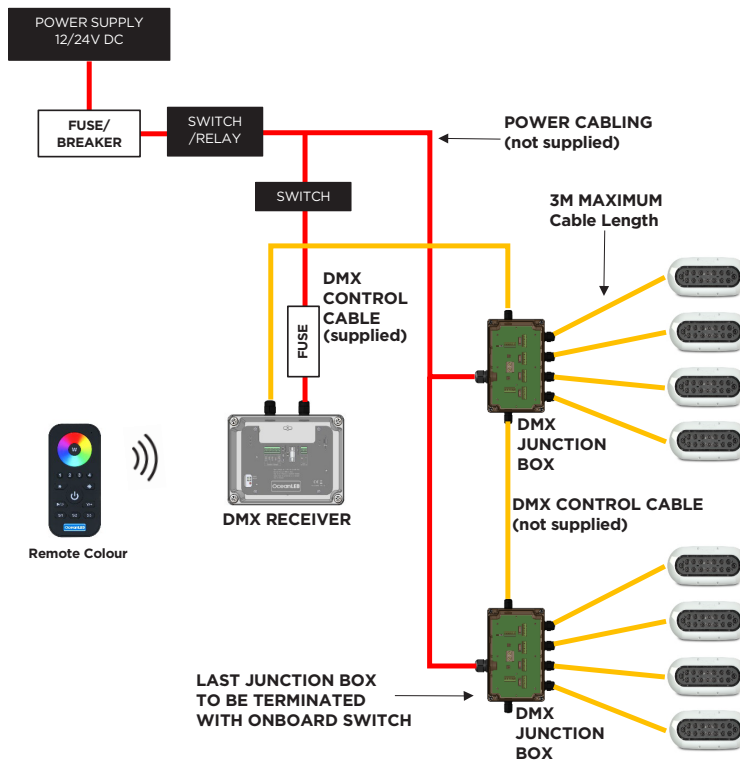
* Dependant on location of receiver

**Not compatible with OceanLED X-Series Lighting

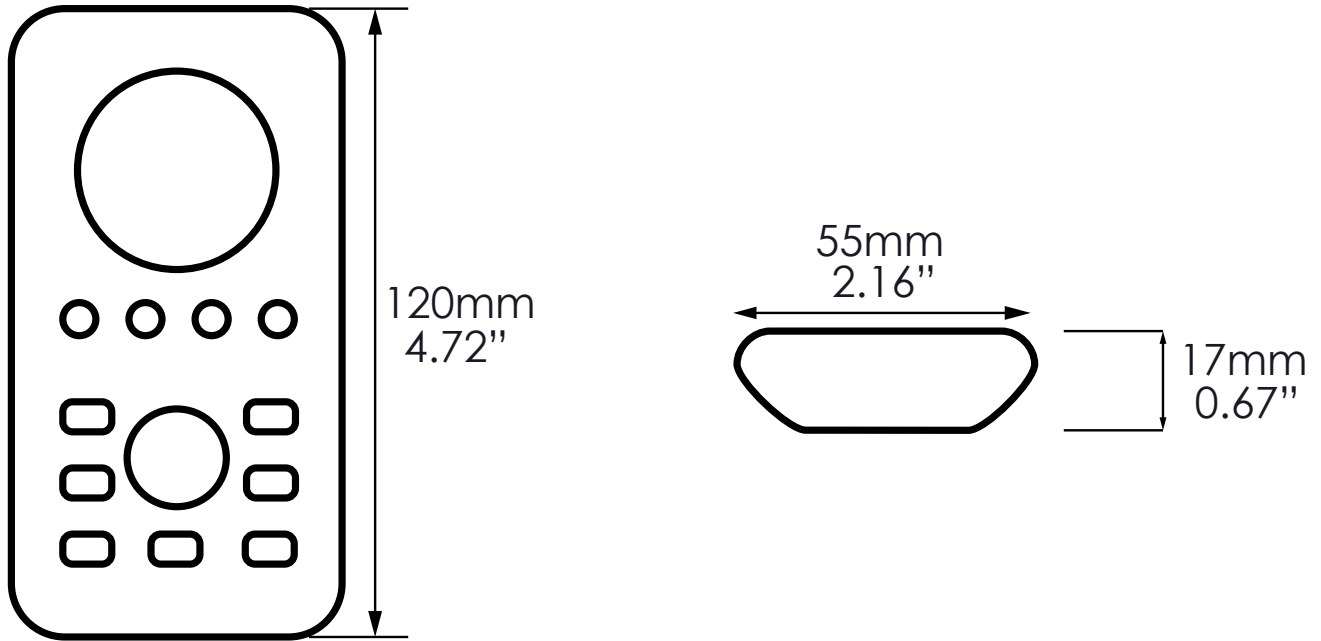
EXPLORE E6/E7 LIGHTING SETUP



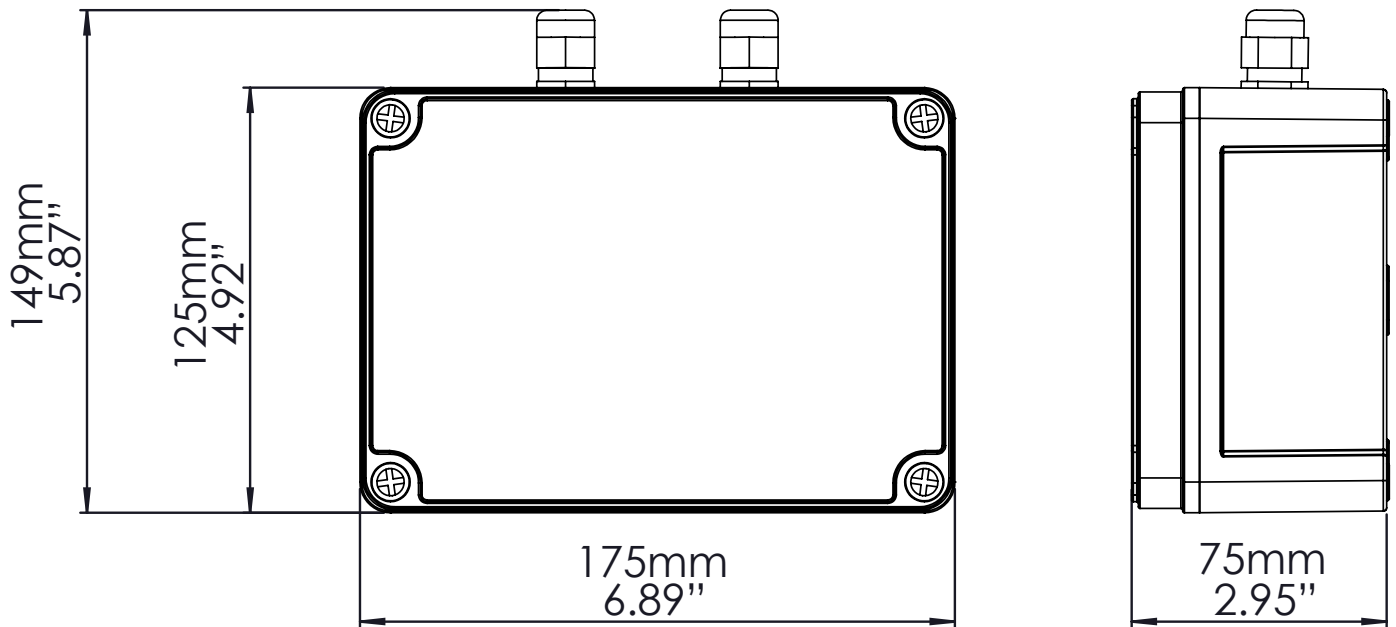
X-SERIES LIGHTING SETUP



RECEIVER DIMENSIONS



RECEIVER DIMENSIONS



PRODUCT GUIDE/technical

OCEANDMX RC



SELECT REGION	MHz FREQUENCY
USA and Canada	915
Mexico	915
South America	915
Australia	915
New Zealand	915
China	915
Southern Africa	915 / 868
Europe	868
Middle East	868
India	868
Singapore	868

OCEANDMX KIT	SKU
OceanDMX RC Explore XFM Colours (915)	013016
OceanDMX RC Pro Series Colours (915)	013017
OceanDMX RC X-Series Colours (915)	013018
OceanDMX RC Explore XFM Dual (915)	013024
OceanDMX RC Explore XFM Colours (868)	013020
OceanDMX RC Pro Series Colours (868)	013021
OceanDMX RC X-Series Colours (868)	013022
OceanDMX RC Explore XFM Dual (868)	013026

ACCESSORIES	SKU
4 Way V DC Power Junction Box	019901
DMX Junction Box	011702
DMX Control cable 5M	011706
DMX Control cable 10M	011707
DMX Control cable 15M	011708
OceanDMX Remote and Pouch Only Colours (915)	013019
OceanDMX Remote and Pouch Only Dual (915)	013025
OceanDMX Remote and Pouch Only Colours (868)	013023
OceanDMX Remote and Pouch Only Dual (868)	013027

BOX CONTENTS
Remote Control
Waterproof Pouch
DMX Receiver
Control Cable
Terminator (Not included for X-Series)
DMX Junction Box (X-Series Only)
Installation Manual

TECHNICAL	REMOTE
Operation Voltage	4.5v DC 3x AAA batteries (Not included)
Operation Frequency	869.5MHz / 916.5MHz
Remarks	RF Signal
Operating Temp	-20 to +40°C
Waterproof grade	IP20 Non-Waterproof
Waterproof grade (With pouch)	IP66 Waterproof

PHYSICAL	REMOTE
Dimensions:	55mm x 120mm x 17mm
Weight:	50g (without batteries)

TECHNICAL	DMX WiFi RECEIVER
Supply Voltage	12/24v DC (9-32v DC)
Nominal Current	200mA (Max)
Connections	Power In, DMX Out
Input / Output cable glands	IP68 (2x M16)
Operating Temp	-20°C to +50°C
Operation Frequency 868	869.5MHz
Operation Frequency 915	916.5MHz
Wireless Range	Up to 20 meters*

PHYSICAL	DMX WIRELESS RECEIVER
Total weight	0.48kg (1.06 lbs)
Extension cable length (standard)	9.84' (3m)
Material	Robust polycarbonate with semi transparent lid

*Dependant on location of receiver