



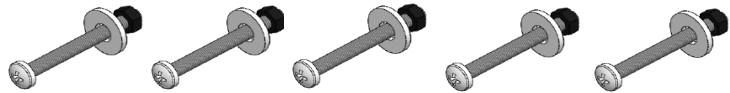
ISOLATING MOUNTING KIT

For D3 and X-Series LED Lights

Quick Install Guide

Isolating Mounting Kit Contents:

5x M3.5 x 35mm Nylon Bolt
5x Nylon Washer
5x M3.5 Nylon Nut



D3 Requires:

3x M3.5 x 35mm Nylon Bolt
3x Nylon Washer
3x M3.5 Nylon Nut
(2x spare of each component)

X-Series Requires:

4x M3.5 x 35mm Nylon Bolt
4x Nylon Washer
4x M3.5 Nylon Nut
(1x spare of each component)

Ocean LED Marine LTD

Unit 1 Jacknell Road
Dodwells Bridge Industrial Estate
Hinckley,
Leicestershire LE10 3BS
United Kingdom
Tel: +44 (0) 1455 637505
Fax: +44 (0) 1455 238553
sales@oceanled.com

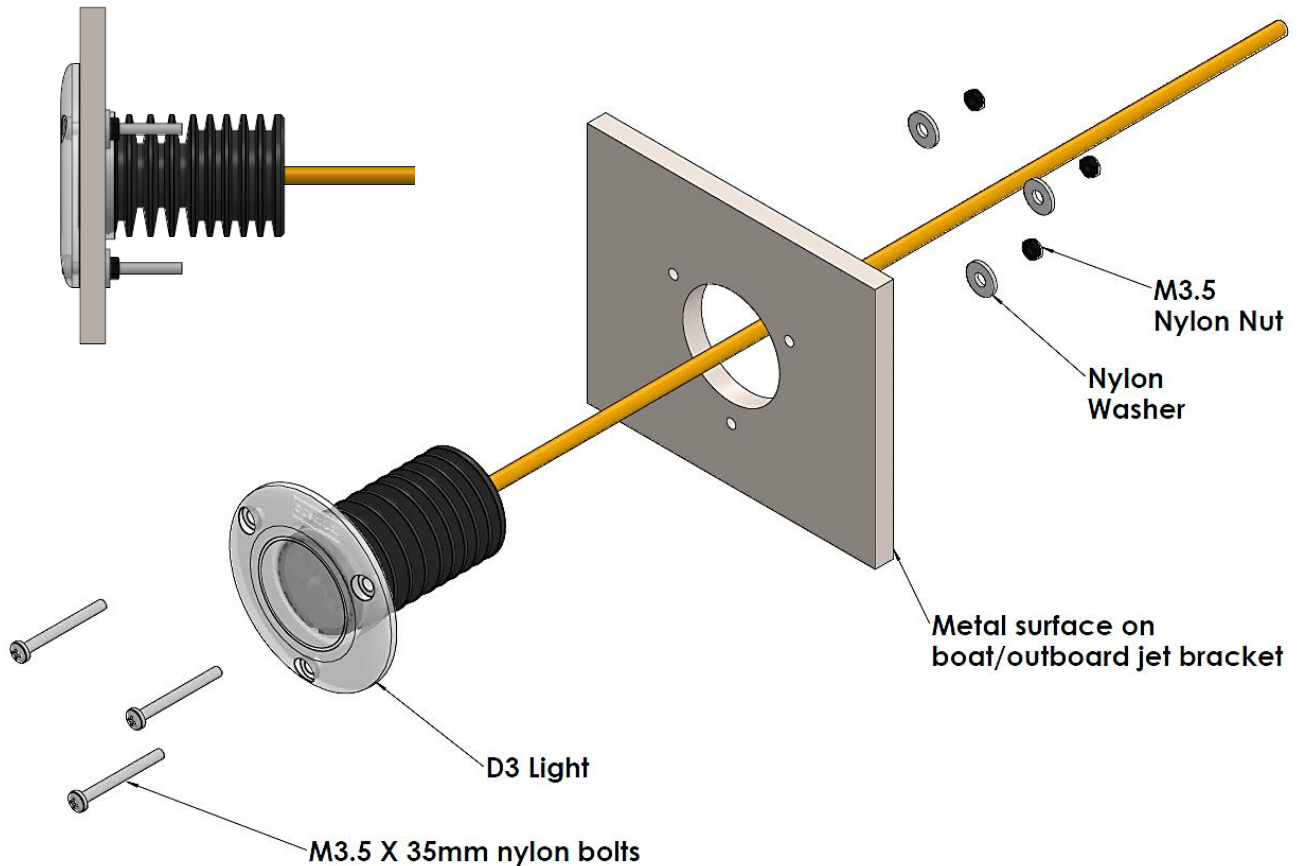
Ocean LED USA LLC

778 South Military Trail
Deerfield Beach
Florida
FL 33442-3025
United States
Tel: +1(954) 523-2250
Fax: +1(954) 523-2249
sales@oceanledusa.com

Discover D3 Light Isolating Mounting Kit - Assembly

This document details the installation of the Isolating Mounting Kit for the OceanLED Discover D3 light. Please read these instructions and the Discover D3 Installation Manual before proceeding with the installation.

Discover D3 Isolating Kit assembly overview:



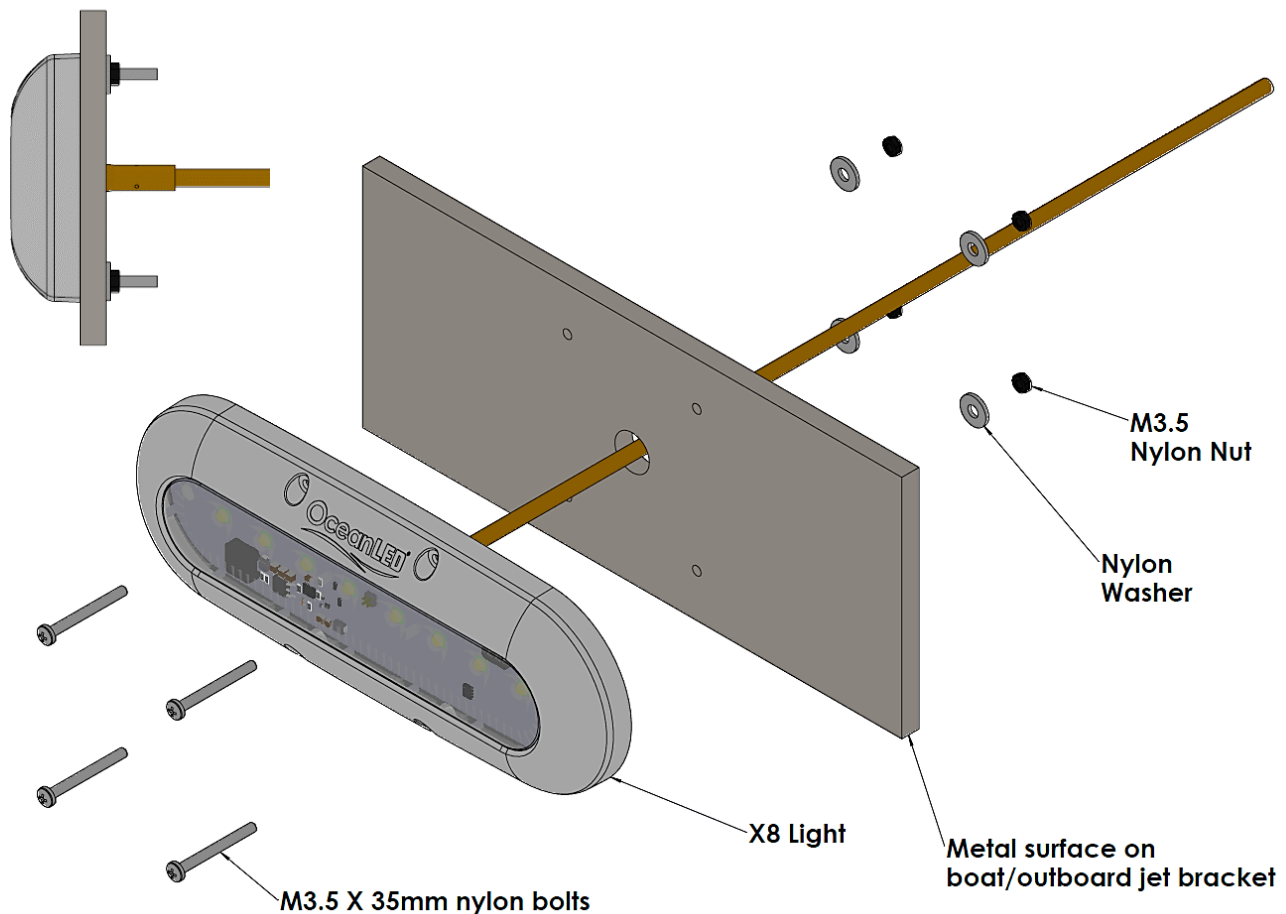
1. Follow chapter 3 of the Discover D3 Installation Manual. For full installation guide go to: www.oceanled.com/downloads.
2. Drill the 3 screw holes positions to 4mm through the metal surface/ outboard jet bracket.
3. Follow chapter 4.1 of the Discover D3 Installation Manual, using the provided 3x M3.5 x 35mm nylon bolts with nylon washers and nylon nuts instead of the 3x standard D3 metal screws. **Apply sealant as per instruction manual, and also to the nylon bolts / fixing holes to ensure these are fully sealed.**
4. From inside/ inner side of outboard jet bracket, fit in order the nylon washer and the M3.5 nylon nut onto the 3x M3.5 bolts, fixing the light in place. Never use power tools to secure your lights; hand tighten only.
5. Follow chapters 4.2 – 4.4 of the Discover D3 Installation Manual to conclude the light's installation.

X-Series Light Isolating Mounting Kit - Assembly

This document details the installation of the Isolating Mounting Kit for the OceanLED X-Series (X4, X8, X16) lights. Please read these instructions and the X-Series Installation Manual before proceeding with the installation.

X-Series Isolating Kit assembly overview:

(Shown with X8 - same mounting kit can also be used with X4 and X16)



1. Follow chapter 2.1 of the X-Series Installation Manual. For full installation guide go to: www.oceanled.com/downloads.
2. Drill the 4 screw holes positions to 4mm through the metal surface/ outboard jet bracket.
3. Follow chapter 2.2 of the X-Series Installation Manual, using the provided 4x M3.5 x 35mm nylon bolts with nylon washers and nylon nuts instead of the 4x standard X-Series metal screws. **Apply sealant as per instruction manual, and also to the nylon bolts / fixing holes to ensure these are fully sealed.**
4. From inside/ inner side of outboard jet bracket, fit in order the nylon washer and the M3.5 nylon nut onto the 4x M3.5 bolts, fixing the light in place. Never use power tools to secure your lights; hand tighten only.
5. Follow chapters 2.3 and 2.4 of the X-Series Installation Manual to conclude the light's installation.

NOTES

© 2022 Ocean LED Marine LTD
All Rights Reserved

Specifications are subject to
change without notice.

Trademarks are the property of
Ocean LED Marine LTD
www.oceanled.com