



55-1900

TRANSOM SAVER

INSTALL INSTRUCTIONS



REV. 12/15

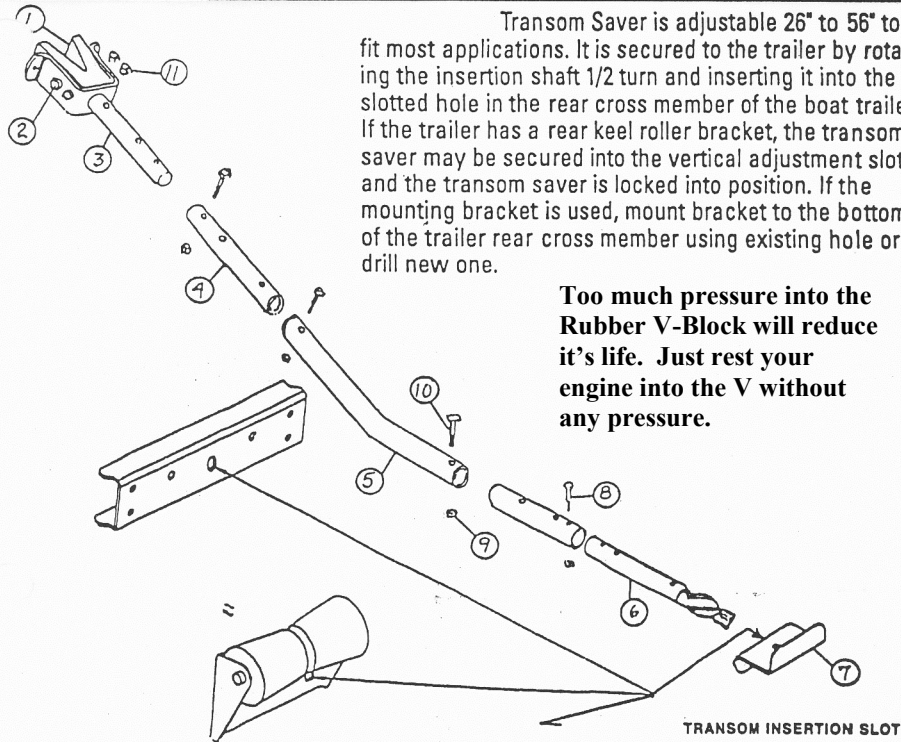
WHEN ORDERING:

REFER TO PART # 55-1900

Transom Saver

Transom Saver is adjustable 26" to 56" to fit most applications. It is secured to the trailer by rotating the insertion shaft 1/2 turn and inserting it into the slotted hole in the rear cross member of the boat trailer. If the trailer has a rear keel roller bracket, the transom saver may be secured into the vertical adjustment slot, and the transom saver is locked into position. If the mounting bracket is used, mount bracket to the bottom of the trailer rear cross member using existing hole or drill new one.

Too much pressure into the Rubber V-Block will reduce it's life. Just rest your engine into the V without any pressure.



Parts Pack Consist of:

Ref. #	Description	Qty.
①	Rubber V-Block	1
2	1/4" x 2 3/4" Hex Bolt	2
③	V-Block Shaft	1
4	Adjustable Tube	2
5	Center Tube	1
6	Insertion Shaft	1
7	Mounting Bracket	1
8	5/16" x 1 1/2" Hex Bolt	2
9	5/16" Hex Lock Nut	4
10	5/16" x 1 3/4" Hex Bolt	2
11	1/4" Hex Lock Nut	2
	10" Rubber Bungee	1

SPARE PARTS AVAILABLE

99-55801	MOUNTING BRACKET
99-55802	INSERTION SHAFT
99-55803	CENTER TUBE
99-55804	ADJUSTABLE TUBE
99-55805	RUBBER V-BLOCK
99-55806	V-BLOCK SHAFT
99-55807	21" BUNGEE CORD (NOTE:) The 10" Rubber Bungee shown above is no longer available.

Marinetech Products, Inc. is proud to offer these lines:



MOTOR LIFTS, JACK PLATES AND THE ELECTRO STEER



ELECTRIC TROLLING MOTORS & ACCESSORIES



Rod Holders, Trolling Motor Mounts &* Multi-Mounts



Auxiliary Outboard Motor Steering Systems



Throttle Control for Gas Powered Engines

**MARINETECH PRODUCTS
1360 East County Road E
Vadnais Heights, MN 55110
651-486-2010 info@marinetechproducts.com
www.marinetechproducts.com**