

**BILL OF MATERIAL**

Item	Cat. No.	Description	Quantity				Specification
			1127	1128	1129	1130	
1a	1105000BLK	Cap	1	1	1	1	BLK Polycarbonate
2	1119	O-Ring, Cap	1	1	1	1	4-1/4" I.D. x 1/8" Thick
3	See Note #1	Lens and Ring Assembly	1	1	1	1	BLK Polycarbonate
4		Screw, Shield and Socket	10	10	10	4	Type 23-18-8 (#6 x 5/16")
5		Shield	1	1	1	1	Alum. Powder Coating
6		Cable, Cap Retainer	1	1	1	1	3/64 Dia. S/S
7	0134	Socket (D.C. Bayonet)	1	1	1	1	Brass
8		Base	1	1	1	1	BLK Fiberfill Nylon
9		O-Ring, Base	1	1	1	1	4.264 I.D. x .068 Thick
10		Cover, Wire, Box	1	1	1	1	Fiberfill Polycarbonate
11		Gasket, Lens	1	1	1	1	Closed-Cell Neoprene
12		Screw, Lens and Cover	9	9	9	9	#8-B x 5/8 Long (P.H.)
13		Washer, Split Lock	4	4	4	4	#8
14		Washer, Flat	4	4	4	4	5/32 I.D.
15		Cable	1	1	1	1	16/3 SJO (42-1/4" Long)
16		Grommet, Cable	1	1	1	1	5/8 O.D. x 5/16 I.D. Grooved
17		Block, Terminal	1	1	1	1	Weeco, MFG, #323 HDS-02W

**NOTES:**

1. LENS - American made Fresnel, 360°, PERKO Cat. No. 0249 Series.

LENS COLOR	USAGE	FOR LENS ASSY. ONLY
White	Masthead, Optional All-Round	Cat. No. 0249000CLR
Red	All-Round, Port SideLight	Cat. No. 0249000RED
Green	All-Round, Starboard SideLight	Cat. No. 0249000GRN
Yellow	All-Round, Towing	Cat. No. 0249000YLW
Gray*	All-Round, Stern	Cat. No. 0249000GRY
Blue	Panama Canal Blue Steering Light	Cat. No. 0249000BLU

\* Note: Gray lens produces white light.

2. Weight: 2-1/2 Lbs.

**VISIBILITY & LAMP WATTAGE SPECIFICATIONS FOR VESSELS 20 METERS (65.6 FT.) TO 50 METERS (164.0 FT.) IN LENGTH**

BLACK PLASTIC CAT. NO.	DESCRIPTION	PRESCRIBED ARC	VISIBILITY N. MILES
1127RA0BLK	RED SIDE LIGHT	112-1/2°	2
1127GA0BLK	GREEN SIDE LIGHT	112-1/2°	2
1128A00BLK	WHITE MASTHEAD LIGHT	225°	5
1129A00BLK	WHITE STERN LIGHT	135°	2
1129MA0BLK	YELLOW TOWING LIGHT	135°	2
1129BA0BLK*	BLUE PANAMA CANAL LIGHT	135°	2
1130A00BLK	WHITE ALL-ROUND LIGHT	360°	2
1130HA0BLK**	WHITE ALL-ROUND LIGHT	360°	2
1130RA0BLK	RED ALL-ROUND LIGHT	360°	2
1130GA0BLK	GREEN ALL-ROUND LIGHT	360°	2
1130MA0BLK	YELLOW ALL-ROUND LIGHT	360°	2

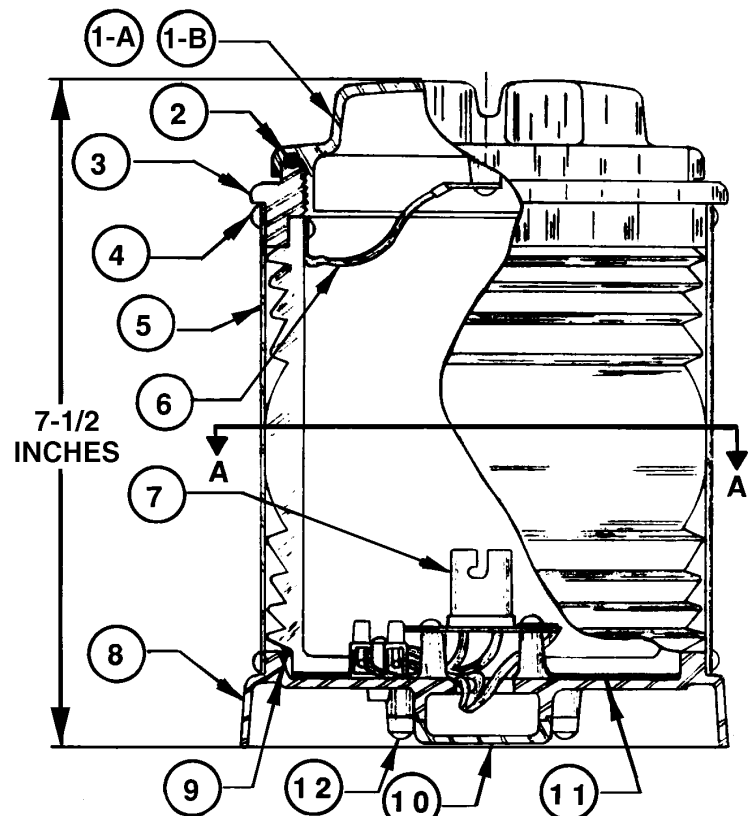
\* NOT USCG CERTIFIED

\*\* THIS 5 MILE WHITE ALL-ROUND LIGHT IS OPTIONAL FOR GREAT LAKES USAGE IN ACCORDANCE WITH THE U.S. INLAND NAVIGATION RULES ACT OF 1980.

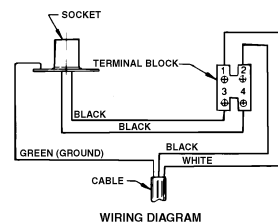
**BULB DATA:** THESE ARE SPECIAL NAVIGATION LAMPS. D.C. BAYONET BASE, C-8 FILAMENT. CLEAR, 1-3/8" L.C.L. AND MUST BE USED TO MEET THE 1972 COLREGS. AVAILABLE VERSIONS ARE LISTED BELOW.

PERKO CAT. NO.	VOLTAGE	CD	WATTAGE
0374001CLR	12	24	30
0374002CLR	24	24	30
0374003CLR	32	24	30
0374004CLR	120	24	30

THESE LIGHTS MEET U.S. COAST GUARD REQUIREMENTS UNDER THE 1972 COLREGS AND ARE CLASSIFIED BY UNDERWRITER'S LABORATORIES STANDARD U.L. 1104 TO MEET THE 1972 COLREGS.



**TYPICAL CONFIGURATION**



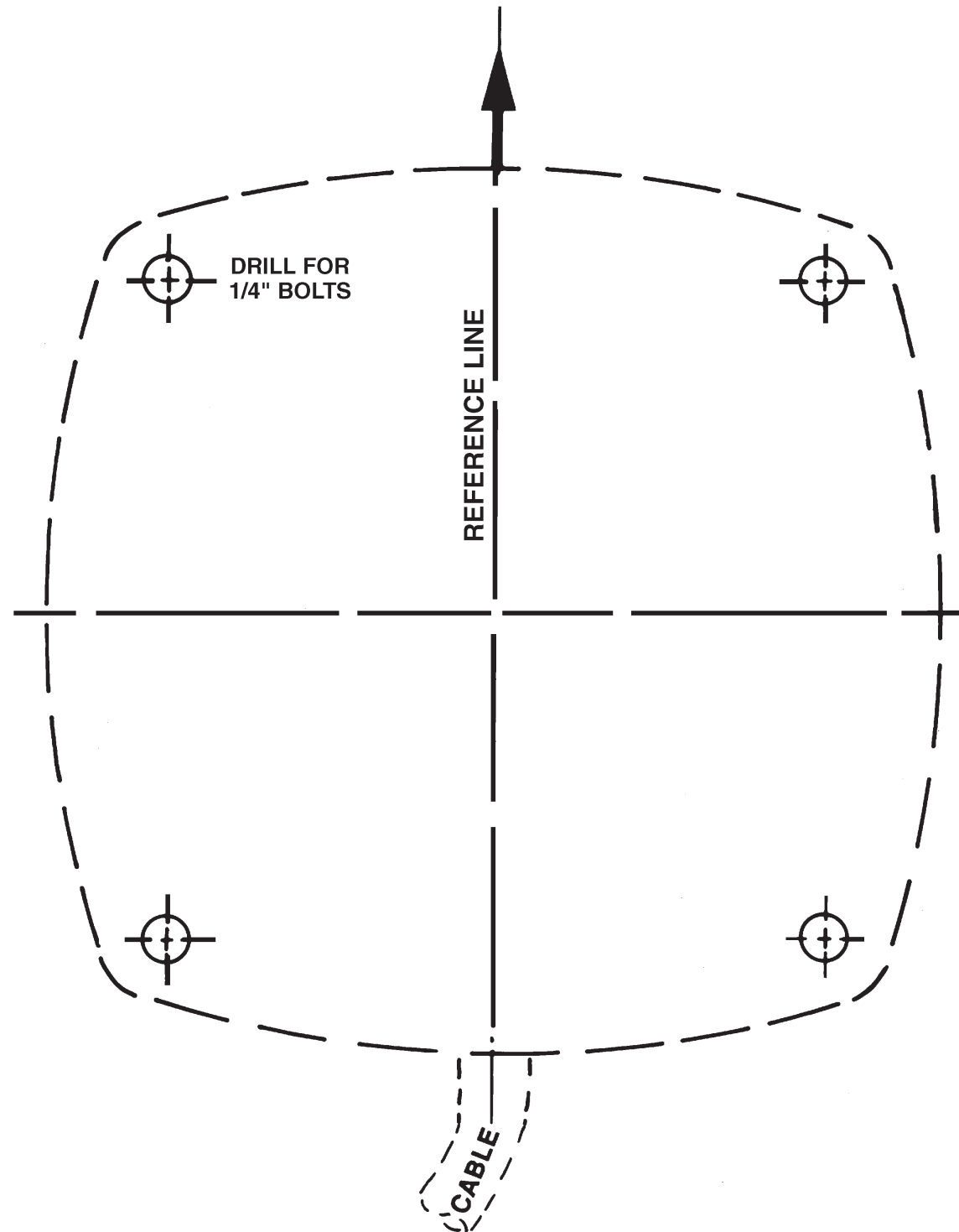
**WIRING DIAGRAM**

<b>PERKO®</b>	
16490 N.W. 13th Avenue	Miami, FL 33169-5707
Date: 11-21-83	Drawn By: D. Beutler
Scale: None	Revised: 9/13/11
CAT. NOS 1127 - 1130 "A" SERIES NAVIGATION LIGHTS	

**REFERENCE LINE SHALL BE PARALLEL TO CENTERLINE OF THE VESSEL AND POINTING:**  
**AHEAD FOR:**  
 SIDE AND MASTHEAD LIGHTS  
**ASTERN FOR:**  
 STERN AND TOWING LIGHTS  
**ANY DIRECTION FOR:**  
 ALL ROUND LIGHTS:

This is a 3/4" circle in order to scale internet printed templates

**CUT HERE TO REMOVE MOUNTING TEMPLATE**



**MOUNTING TEMPLATE FOR CAT. NOS. 1127 - 1130 SERIES**