

polk
ULTRAMARINE
CERTIFIED

UMS88

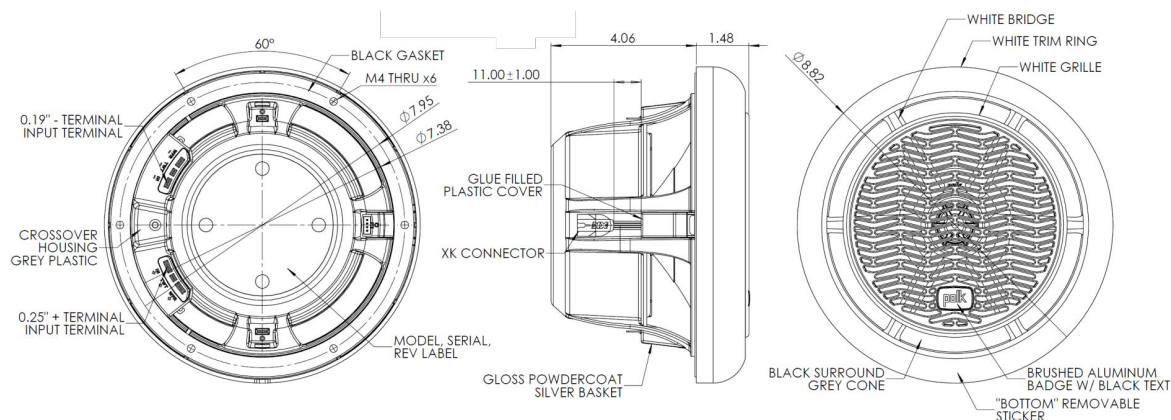
8.8" Coaxial Speaker



- Air suspension
- 250 watts maximum power handling
- Cast aluminum basket
- High temperature voice coil
- Snap on grille installation option
- Silver Cone
- Insulated tinsel leads

UMS88B Black
UMS88W White
UMS88S Smoke

asa
ELECTRONICS
2602 Marina Drive • Elkhart, IN 46514
www.asaelectronics.com



Specifications:

General Specifications:

Speaker Size	8.8"	
Woofer Material	Mica + Poly-propylene	
Tweeter Type	1" Dome	
Tweeter Material	Titanium Dome	
Voice Coil Size	1.6"	
Magnet Weight	40.3 oz	
Mounting Depth	4.06"	
Hole Size	7.4"	
Impedance	4 Ω	
Temperature Range	-30°C - 70°C	-22°F - 158°F
Max RH	100%	
Terminal Size	Positive - 0.248"	Negative - 0.189"

Performance Specifications:

Frequency Response	50 Hz - 20 KHz
RMS Power	125 W
Max Power	250 W
SPL @ 1 W/ 1 M	89.4 dB
Resonant Frequency	46 Hz