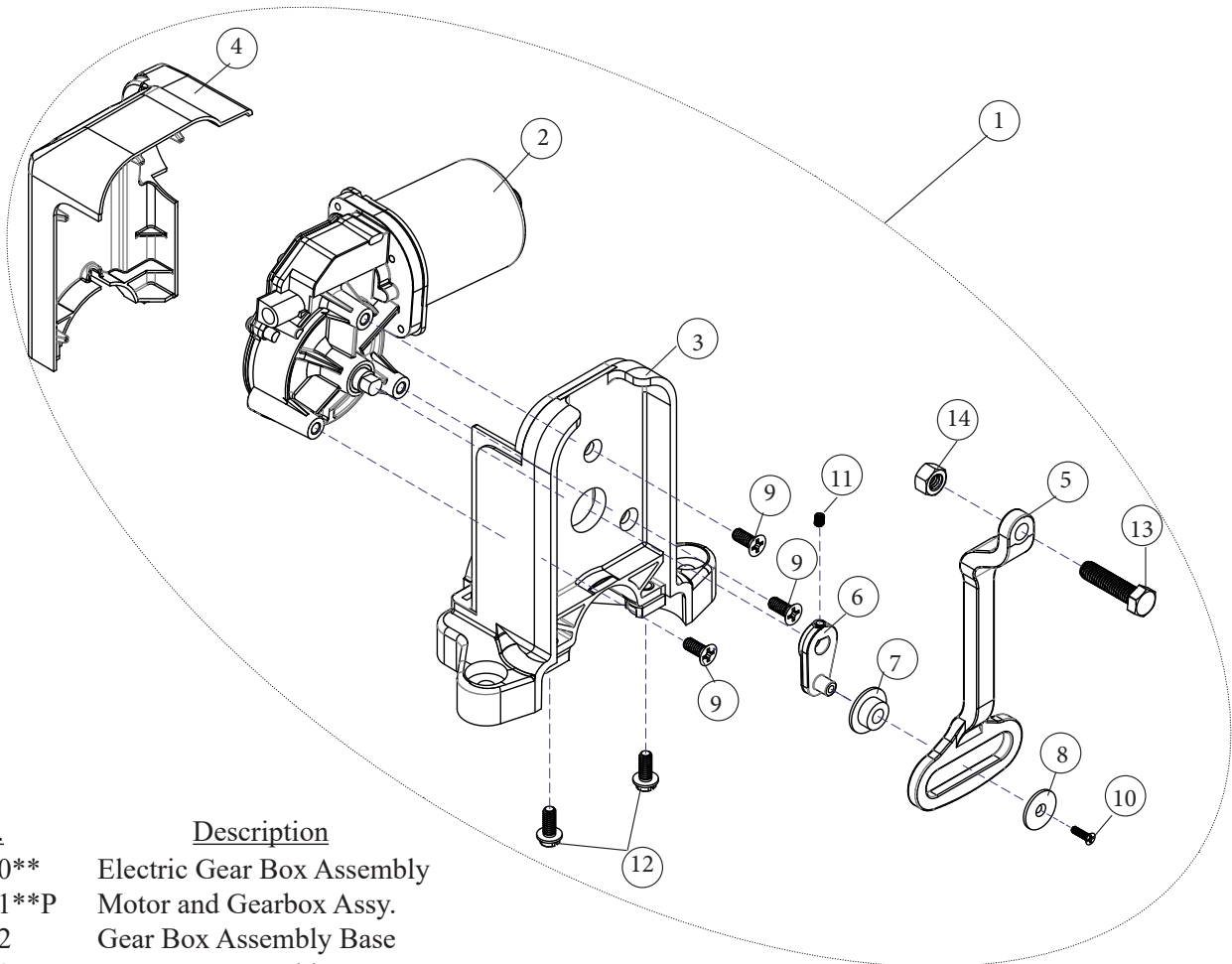
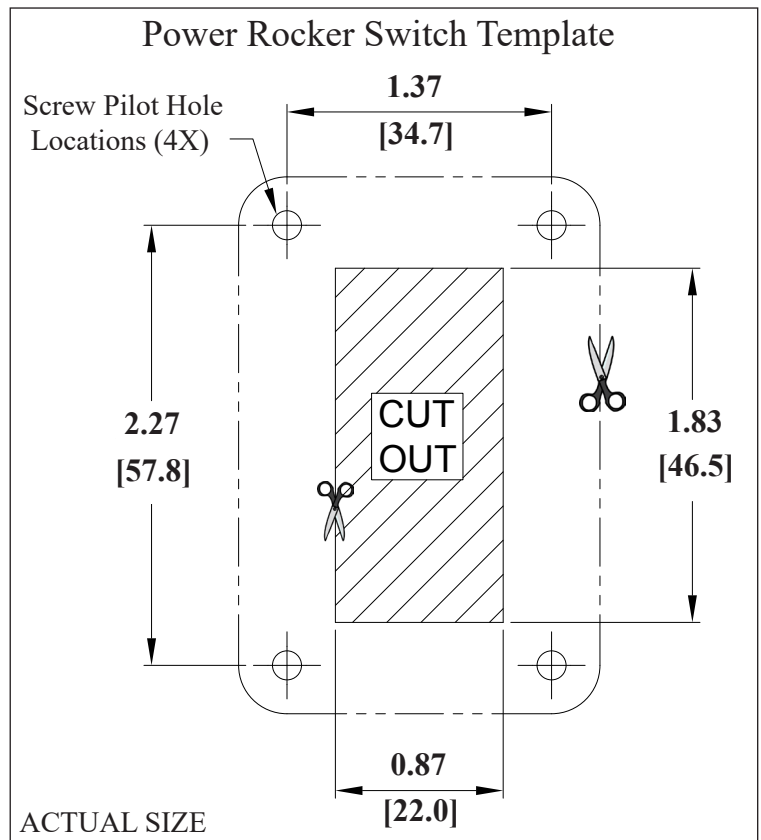
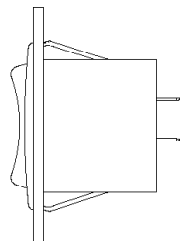
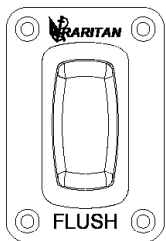


POWERFLUSH EXPLODED VIEW



Part No.	Description
1 1130**	Electric Gear Box Assembly
2 1131**P	Motor and Gearbox Assy.
3 1132	Gear Box Assembly Base
4 1133	Gear Box Assembly Cover
5 1134	Connecting Rod
6 1135	Link
7 1136	Roller
8 1137	Roller Washer
9 F359	Gear Box Mounting Screws (3)
10 F360	Roller Screw
11 F149VT	Set Screw
12 F408	Assembly Mounting Screws (2)
13 1115	3/8-16 x 1 1/2" Bolt
14 1115A	3/8-16 Nut

PRS
Power Rocker Switch



**Voltage:
12 (12VDC)
24 (24VDC)
12T (115V/230V AC)