

Raymarine®



CP370 / 470 / 570

Installation instructions

English (en-US)
Date: 05-2018
Document number: 87349-2
© 2018 Raymarine UK Limited

Trademark and patents notice

Raymarine, Tacktick, Clear Pulse, Truzoom, SeaTalk, SeaTalk^{hs}, SeaTalk^{ng}, and Micronet, are registered or claimed trademarks of Raymarine Belgium.

FLIR, LightHouse, DownVision, SideVision, RealVision, Dragonfly, Quantum, Axiom, Instalert, Infrared Everywhere, The World's Sixth Sense and ClearCruise are registered or claimed trademarks of FLIR Systems, Inc.

All other trademarks, trade names, or company names referenced herein are used for identification only and are the property of their respective owners.

This product is protected by patents, design patents, patents pending, or design patents pending.

Fair Use Statement

You may print no more than three copies of this manual for your own use. You may not make any further copies or distribute or use the manual in any other way including without limitation exploiting the manual commercially or giving or selling copies to third parties.

Software updates



Check the Raymarine website for the latest software releases for your product.
www.raymarine.com/software

Product documentation



The latest versions of all English and translated documents are available to download in PDF format from the website: www.raymarine.com/manuals.
Please check the website to ensure you have the latest documentation.

Copyright ©2018 Raymarine UK Ltd. All rights reserved.

Contents

Chapter 1 Important information	9
Certified Installation.....	9
Water ingress	10
Disclaimer	10
EMC installation guidelines	10
Compass safe distance.....	11
Declaration of Conformity.....	11
Connections to other equipment.....	11
Product disposal	11
Warranty registration.....	11
IMO and SOLAS	12
Technical accuracy.....	12
Operation instructions.....	12
Multifunction display software version.....	12
Suppression ferrites	12
Chapter 2 Document and product information.....	13
2.1 Document information.....	14
Applicable products.....	14
Document illustrations	14
Product documentation	15
LightHouse MFD Operation instructions.....	15
Transducer installation instructions	15
2.2 Parts supplied.....	16
CP370 — Parts supplied	16
CP470 — Parts supplied	17
CP570 — Parts supplied	18
2.3 Product overview	19
CP370 product overview	19
CP470 product overview	20
CP570 product overview	21
2.4 Sonar technology	22
Traditional sonar technology.....	22
CHIRP technology.....	23
CHIRP Sonar overview.....	24
2.5 Raymarine sonar modules	25
Chapter 3 Planning the installation	27
3.1 Installation checklist.....	28
Schematic diagram	28
3.2 Required additional components.....	29
CP370: EMC compliance.....	29

3.3 Multifunction display compatibility	30
Compatible multifunction displays	30
Lighthouse MFD software requirements	30
Operation instructions	30
3.4 Software updates	31
3.5 Compatible transducers	32
3.6 Tools required	33
3.7 System examples.....	34
3.8 Warnings and cautions	37
3.9 General location requirements.....	38
Cable routing requirements.....	38
Compass safe distance.....	39
3.10 Product dimensions.....	40
CP370 dimensions.....	40
CP470 dimensions.....	41
CP570 dimensions.....	42

Chapter 4 Cables and connections..... 43

4.1 General cabling guidance	44
Cable types and length.....	44
Routing cables	44
Strain relief.....	44
Circuit isolation	44
Cable shielding.....	45
Suppression ferrites.....	45
4.2 Connections overview	46
Making connections.....	47
4.3 Power connection	48
In-line fuse and thermal breaker ratings.....	48
Power distribution.....	49
Grounding — Dedicated drain wire.....	52
Grounding — additional dedicated drain wire required (CP470 only)	52
4.4 Transducer connections.....	54
CP370 Transducer connections	54
CP470 / CP570 Transducer connections	55
Transducer cable extension	61
4.5 Network connection.....	62

Chapter 5 Mounting..... 65

5.1 Mounting	66
Fixing screw suitability.....	66
Mounting the unit.....	66

Chapter 6 System checks and troubleshooting	69
6.1 Initial power on test.....	70
Operation instructions	70
CP370 — Legacy multifunction display transducer set up	70
6.2 Troubleshooting	71
Sonar troubleshooting	71
LED Diagnostics.....	74
Resetting the sonar (LightHouse 3)	77
Resetting the sonar (LightHouse 2)	77
Operation instructions	77
Chapter 7 Maintenance	79
7.1 Routine checks	80
7.2 Unit cleaning instructions	81
Transducer cleaning	81
Chapter 8 Technical support	83
8.1 Raymarine product support and servicing	84
Operation instructions	85
Viewing product information (LightHouse™ 2).....	85
Viewing product information (LightHouse™ 3).....	85
Chapter 9 Technical specification	87
9.1 CP370 Technical specification	88
Physical specification.....	88
Power specification.....	88
Environmental specification.....	88
Sonar specification	88
Conformance specification	88
9.2 CP470 Technical specification	89
Physical specification.....	89
Power specification.....	89
Environmental specification.....	89
CHIRP Sonar specification	89
Conformance specification	89
9.3 CP570 Technical specification	90
Physical specification.....	90
Power specification.....	90
Environmental specification.....	90
CHIRP Sonar specification	90
Conformance specification	90
Chapter 10 Spares and accessories	91
10.1 Spares and accessories.....	92

Compatible transducers.....	92
10.2 Network hardware	93
10.3 Network cable connector types.....	94
10.4 RayNet to RayNet cables and connectors.....	95
10.5 RayNet to RJ45 adapter cables	96
10.6 RJ45 SeaTalk ^{hs} network and patch cables	97

Chapter 1: Important information

Certified Installation

Raymarine recommends certified installation by a Raymarine approved installer. A certified installation qualifies for enhanced product warranty benefits. Contact your Raymarine dealer for further details, and refer to the separate warranty document packed with your product.



Warning: Product installation and operation

- This product must be installed and operated in accordance with the instructions provided. Failure to do so could result in personal injury, damage to your vessel and/or poor product performance.
- Raymarine recommends certified installation by a Raymarine approved installer. A certified installation qualifies for enhanced product warranty benefits. Contact your Raymarine dealer for further details, and refer to the separate warranty document packed with your product.



Warning: Potential ignition source

This product is NOT approved for use in hazardous/flammable atmospheres. Do NOT install in a hazardous/flammable atmosphere (such as in an engine room or near fuel tanks).



Warning: Positive ground systems

Do not connect this unit to a system which has positive grounding.



Warning: Power supply voltage

Connecting this product to a voltage supply greater than the specified maximum rating may cause permanent damage to the unit. Refer to the *Technical specification* section for voltage rating.



Warning: Switch off power supply

Ensure the vessel's power supply is switched OFF before starting to install this product. Do NOT connect or disconnect equipment with the power switched on, unless instructed in this document.

Caution: Power supply protection

When installing this product ensure the power source is adequately protected by means of a suitably-rated fuse or automatic circuit breaker.



Warning: High voltage

This product contains high voltage. Adjustments require specialized service procedures and tools only available to qualified service technicians. There are no user serviceable parts or adjustments. The operator should never remove the cover or attempt to service the product.



Warning: Product grounding

Before applying power to this product, ensure it has been correctly grounded, in accordance with the instructions provided.



Warning: Transducer cables

Do not remove the transducer cable whilst the product is powered on, doing so can cause sparks. If the transducer cable is accidentally removed whilst the product is powered on, switch the product's power off, replace the cable and then switch the power back on.



Warning: Sonar operation

- NEVER operate the sonar with the vessel out of the water.
- NEVER touch the transducer face when the sonar is powered on.
- SWITCH OFF the sonar if divers are likely to be within 7.6 m (25 ft) of the transducer.

Caution: Do not cut transducer cables

- Cutting the transducer cable severely reduces sonar performance. If the cable is cut, it must be replaced, it cannot be repaired.
- Cutting the transducer cable will void the warranty and invalidate the European CE mark.

Caution: Service and maintenance

This product contains no user serviceable components. Please refer all maintenance and repair to authorized Raymarine dealers. Unauthorized repair may affect your warranty.

Water ingress

Water ingress disclaimer

Although the waterproof rating capacity of this product meets the stated water ingress protection standard (refer to the product's *Technical Specification*), water intrusion and subsequent equipment failure may occur if the product is subjected to commercial high-pressure washing. Raymarine will not warrant products subjected to high-pressure washing.

Disclaimer

Raymarine does not warrant that this product is error-free or that it is compatible with products manufactured by any person or entity other than Raymarine.

Raymarine is not responsible for damages or injuries caused by your use or inability to use the product, by the interaction of the product with products manufactured by others, or by errors in information utilized by the product supplied by third parties.

EMC installation guidelines

Raymarine equipment and accessories conform to the appropriate Electromagnetic Compatibility (EMC) regulations, to minimize electromagnetic interference between equipment and minimize the effect such interference could have on the performance of your system

Correct installation is required to ensure that EMC performance is not compromised.

Note: In areas of extreme EMC interference, some slight interference may be noticed on the product. Where this occurs the product and the source of the interference should be separated by a greater distance.

For **optimum** EMC performance we recommend that wherever possible:

- Raymarine equipment and cables connected to it are:
 - At least 1 m (3.3 ft) from any equipment transmitting or cables carrying radio signals e.g. VHF radios, cables and antennas. In the case of SSB radios, the distance should be increased to 2 m (6.6 ft).
 - More than 2 m (6.6 ft) from the path of a radar beam. A radar beam can normally be assumed to spread 20 degrees above and below the radiating element.
- The product is supplied from a separate battery from that used for engine start. This is important to prevent erratic behavior and data loss which can occur if the engine start does not have a separate battery.

- Raymarine specified cables are used.
- Cables are not cut or extended, unless doing so is detailed in the installation manual.

Note:

Where constraints on the installation prevent any of the above recommendations, always ensure the maximum possible separation between different items of electrical equipment, to provide the best conditions for EMC performance throughout the installation.

Compass safe distance

To prevent potential interference with the vessel's magnetic compasses, ensure an adequate distance is maintained from the product.

When choosing a suitable location for the product you should aim to maintain the maximum possible distance from any compasses. Typically this distance should be at least 1 m (3.3 ft) in all directions. However for some smaller vessels it may not be possible to locate the product this far away from a compass. In this situation, when choosing the installation location for your product, ensure that the compass is not affected by the product when it is in a powered state.

Declaration of Conformity

FLIR Belgium BVBA declares that the following products are in compliance with the EMC Directive 2014/30/EU:

- CP370 Sonar module, part number E70297
- CP470 Sonar module, part number E70298
- CP570 Sonar module, part number E70258

The original Declaration of Conformity certificate may be viewed on the relevant product page at www.raymarine.com/manuals.

Connections to other equipment

Requirement for ferrites on non-Raymarine cables

If your Raymarine equipment is to be connected to other equipment using a cable not supplied by Raymarine, a suppression ferrite **MUST** always be attached to the cable near the Raymarine unit.

Product disposal

Dispose of this product in accordance with the WEEE Directive.

The Waste Electrical and Electronic Equipment (WEEE) Directive requires the recycling of waste electrical and electronic equipment which contains materials, components and substances that may be hazardous and present a risk to human health and the environment when WEEE is not handled correctly.



Equipment marked with the crossed-out wheeled bin symbol indicates that the equipment should not be disposed of in unsorted household waste.

Local authorities in many regions have established collection schemes under which residents can dispose of waste electrical and electronic equipment at a recycling center or other collection point.

For more information about suitable collection points for waste electrical and electronic equipment in your region, refer to the Raymarine website: www.raymarine.com/manuals.

Warranty registration

To register your Raymarine product ownership, please visit www.raymarine.com and register online.

It is important that you register your product to receive full warranty benefits. Your unit package includes a bar code label indicating the serial number of the unit. You will need this serial number when registering your product online. You should retain the label for future reference.

IMO and SOLAS

The equipment described within this document is intended for use on leisure marine boats and workboats NOT covered by International Maritime Organization (IMO) and Safety of Life at Sea (SOLAS) Carriage Regulations.

Technical accuracy

To the best of our knowledge, the information in this document was correct at the time it was produced. However, Raymarine cannot accept liability for any inaccuracies or omissions it may contain. In addition, our policy of continuous product improvement may change specifications without notice. As a result, Raymarine cannot accept liability for any differences between the product and this document. Please check the Raymarine website (www.raymarine.com) to ensure you have the most up-to-date version(s) of the documentation for your product.

Operation instructions

For detailed operation instructions for your product, refer to the documentation that accompanies your display.

All product documentation is available to download from the Raymarine website: www.raymarine.com/manuals.

Multifunction display software version

To ensure optimum performance and compatibility with external devices, your multifunction display must be using the latest software version.

Visit www.raymarine.com to download the latest software.

Suppression ferrites

- Raymarine cables may be pre-fitted or supplied with suppression ferrites. These are important for correct EMC performance. If ferrites are supplied separately to the cables (i.e. not pre-fitted), you must fit the supplied ferrites, using the supplied instructions.
- If a ferrite has to be removed for any purpose (e.g. installation or maintenance), it must be replaced in the original position before the product is used.
- Use only ferrites of the correct type, supplied by Raymarine or its authorized dealers.
- Where an installation requires multiple ferrites to be added to a cable, additional cable clips should be used to prevent stress on the connectors due to the extra weight of the cable.

Chapter 2: Document and product information

Chapter contents

- [2.1 Document information on page 14](#)
- [2.2 Parts supplied on page 16](#)
- [2.3 Product overview on page 19](#)
- [2.4 Sonar technology on page 22](#)
- [2.5 Raymarine sonar modules on page 25](#)

2.1 Document information

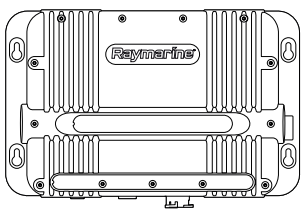
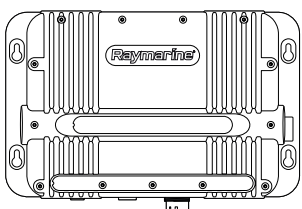
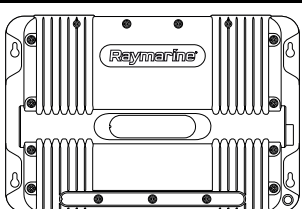
This document contains important information related to the installation of your Raymarine product. The document includes information to help you:

- plan your installation and ensure you have all the necessary equipment;
- install and connect your product as part of a wider system of connected marine electronics;
- troubleshoot problems and obtain technical support if required.

This and other Raymarine product documents are available to download in PDF format from www.raymarine.com/manuals.

Applicable products

This document is applicable to the following products:

	Part number	Name	Description
	E70297	CP370	ClearPulse™ sonar module
	E70298	CP470	ClearPulse™ CHIRP broadband sonar module
	E70258	CP570	ClearPulse™ CHIRP dual-channel broadband sonar module

Note: Your multifunction display's Fishfinder application menu options and settings will differ depending on the type of sonar module in use.

Document illustrations

Your product and if applicable, its user interface may differ slightly from that shown in the illustrations in this document, depending on product variant and date of manufacture.

All images are provided for illustration purposes only.

Product documentation

The following documentation is applicable to your product:

Description	Part number
CP370 / CP470 / CP570 Installation instructions Installation of a CP370 /CP470 / CP570 unit and connection to a wider system of marine electronics.	87213 / 88027
CP370 and CP470 Mounting template Mounting diagram for surface mounting a CP370 / CP470	87240
CP570 Mounting template Mounting diagram for surface mounting a CP570	87206
LightHouse™ 3 MFD Basic Operation Instructions Summarizes the operation of the Sonar application for LightHouse™ 3-compatible multifunction displays.	81369
LightHouse™ 3 MFD Advanced Operation Instructions Details the operation of the Sonar application for LightHouse™ 3-compatible multifunction displays.	81370
LightHouse™ 2 MFD Operation Instructions Details the operation of the Sonar application for LightHouse™ 2-compatible multifunction displays.	81360
E-Series Networked Display Reference Manual Details the operation of E-Series Classic multifunction displays.	81244
C/E-Series Widescreen MFD User reference handbooks Detail the operation of C-Series and E-Series Widescreen multifunction displays.	813212, 81320
G-Series system MFD User Reference Details the operation of G-Series multifunction displays.	81276

LightHouse MFD Operation instructions

For detailed operation instructions for your product, refer to the documentation that accompanies your display.



All product documentation is available to download from the Raymarine website:
www.raymarine.com/manuals

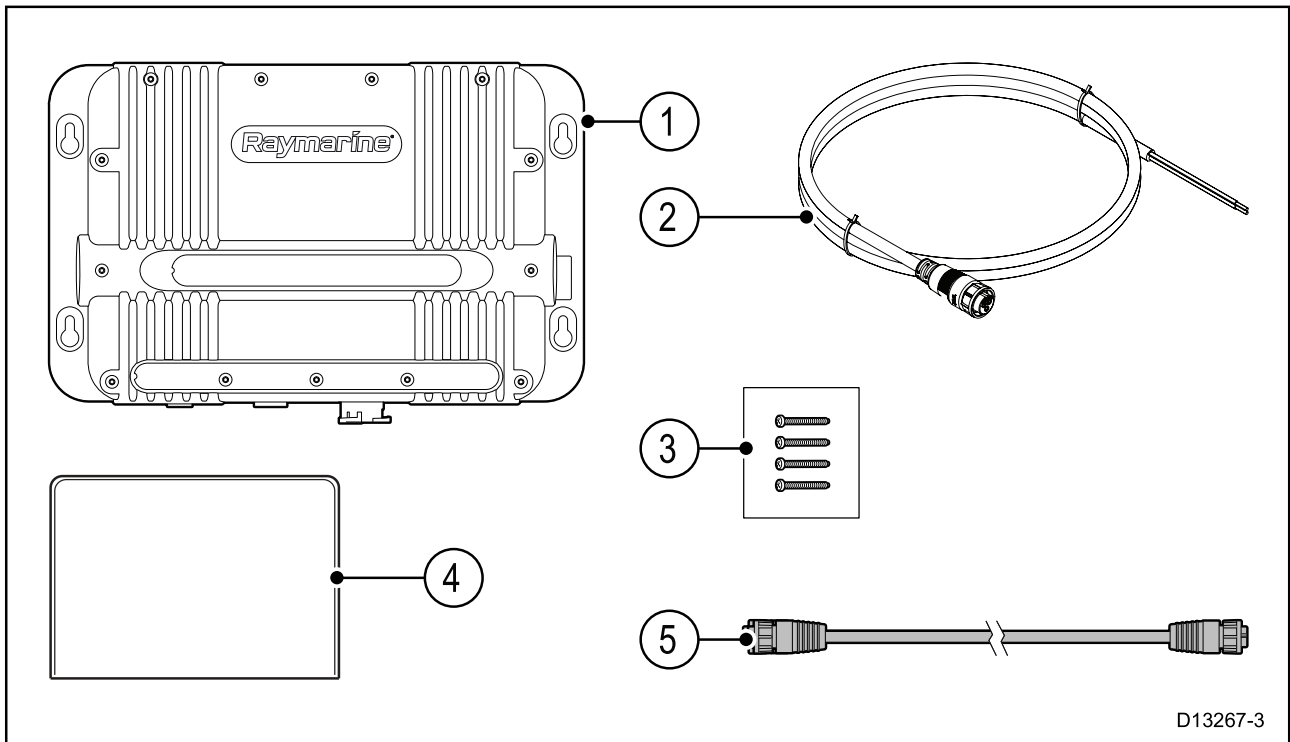
- LightHouse™ 2 MFD document number: 81360
- LightHouse™ 3 MFD document number: 81370

Transducer installation instructions

This document includes installation instructions for the sonar module only. For installation instructions for a connected transducer, please refer to the documentation that accompanies the transducer.

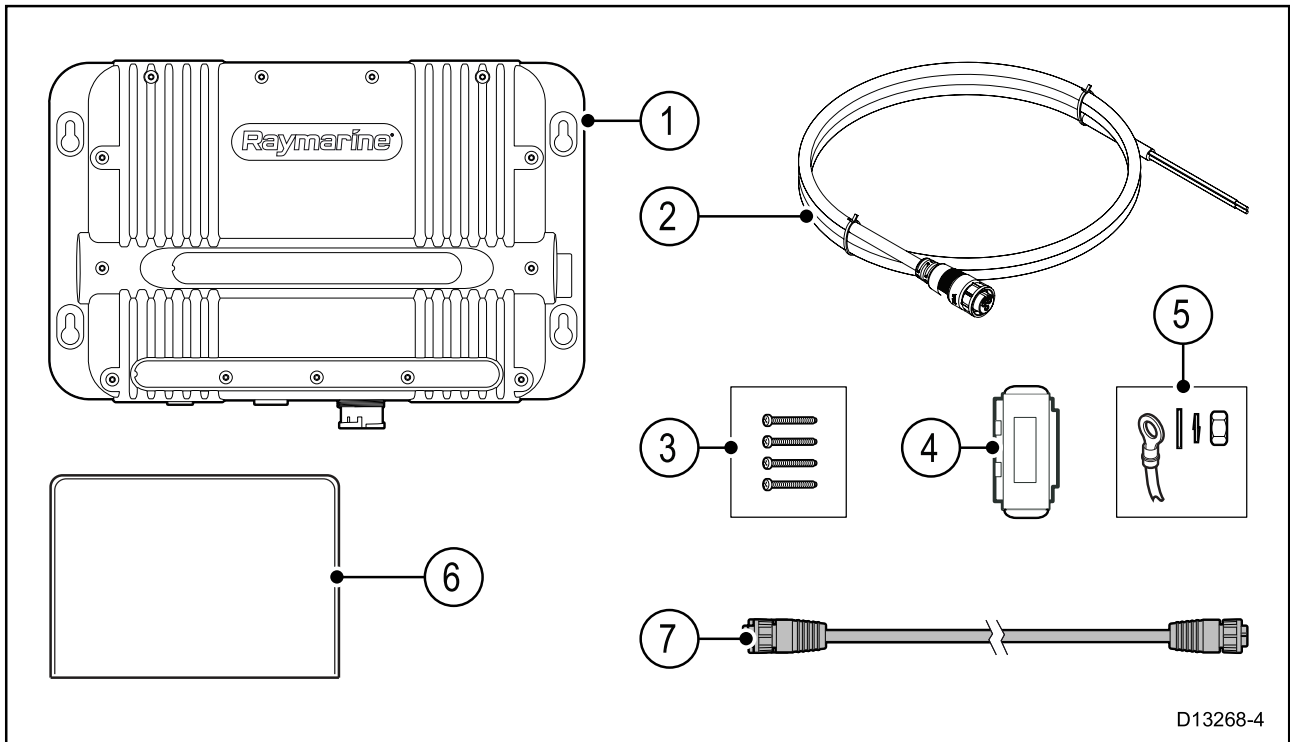
2.2 Parts supplied

CP370 — Parts supplied



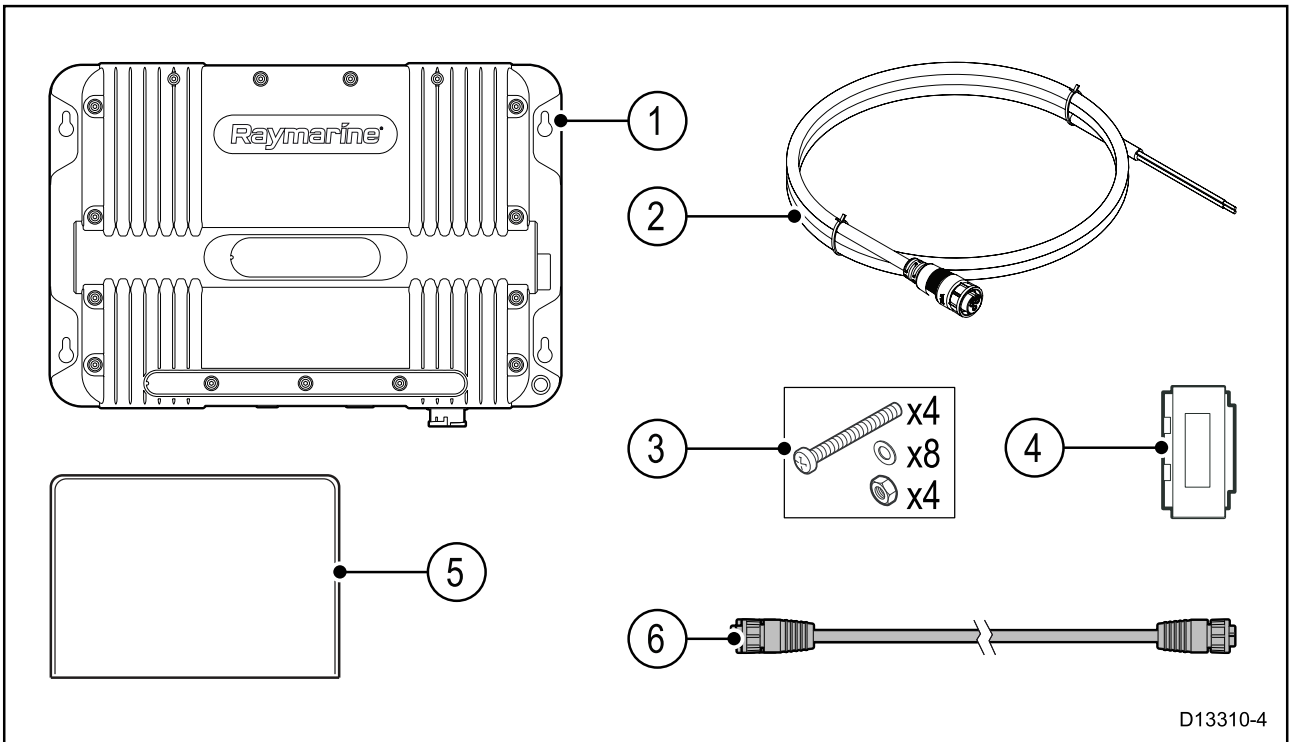
Item	Description	Quantity
1	Sonar module	1
2	1.5 m (5 ft) power cable	1
3	No.8 fixing screws	4
4	Documentation pack	1
5	2 m (6.56 ft) RayNet (Female) to RayNet (Female) network cable	1

CP470 — Parts supplied



Item	Description	Quantity
1	Sonar module	1
2	1.5 m (5 ft) power cable	1
3	No.8 fixing screws	4
4	Cable ferrite	1
5	Additional ground-wire kit	1
6	Documentation pack	1
7	2 m (6.56 ft) RayNet (Female) to RayNet (Female) network cable	1

CP570 — Parts supplied



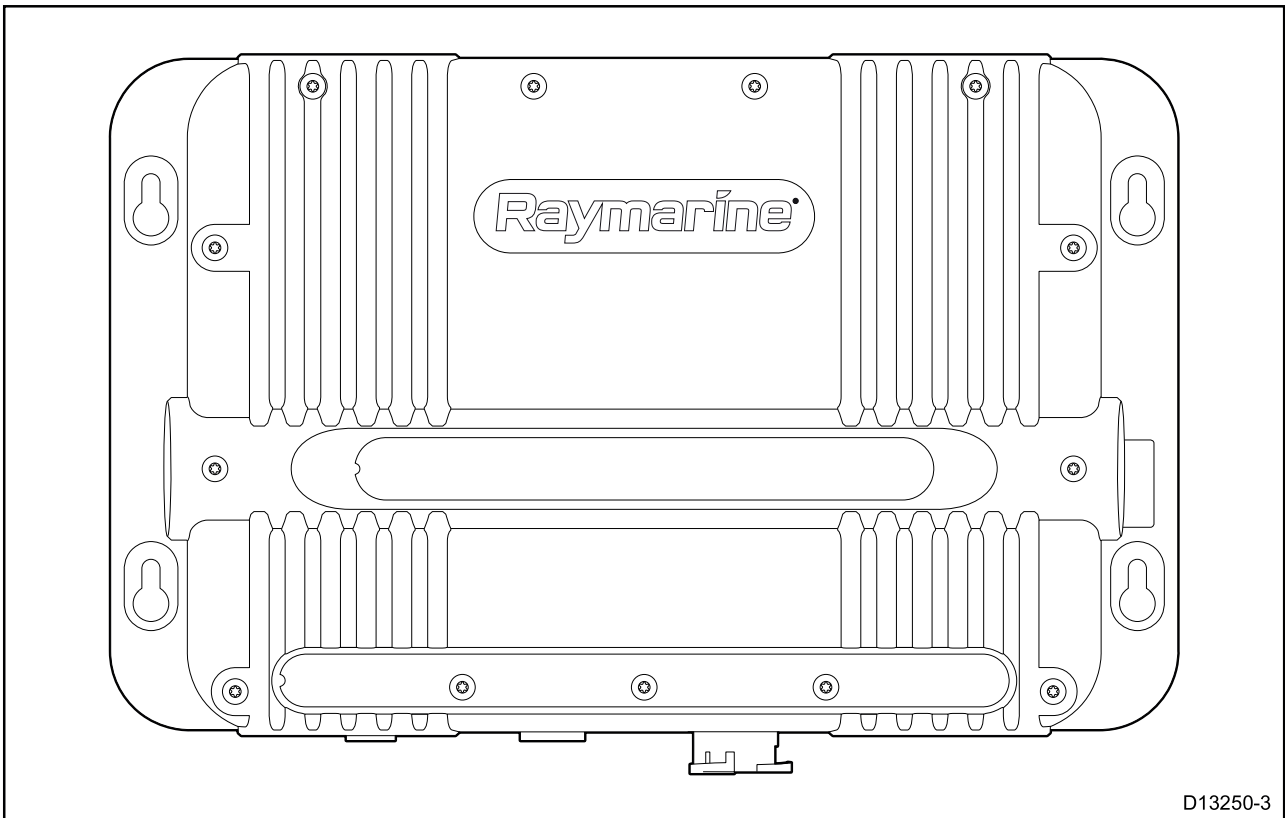
D13310-4

Item	Description	Quantity
1	Sonar module	1
2	1.5 m (5 ft) power cable	1
3	Fixing screw kit	1
4	Cable ferrite	1
5	Documentation pack	1
6	2 m (6.56 ft) RayNet (Female) to RayNet (Female) network cable	1

2.3 Product overview

CP370 product overview

The CP370 is a **ClearPulse™** traditional sonar module. In conjunction with a compatible multifunction display, the CP370 provides a detailed view of the water beneath your vessel including the bottom, enabling you to identify fish and other objects.



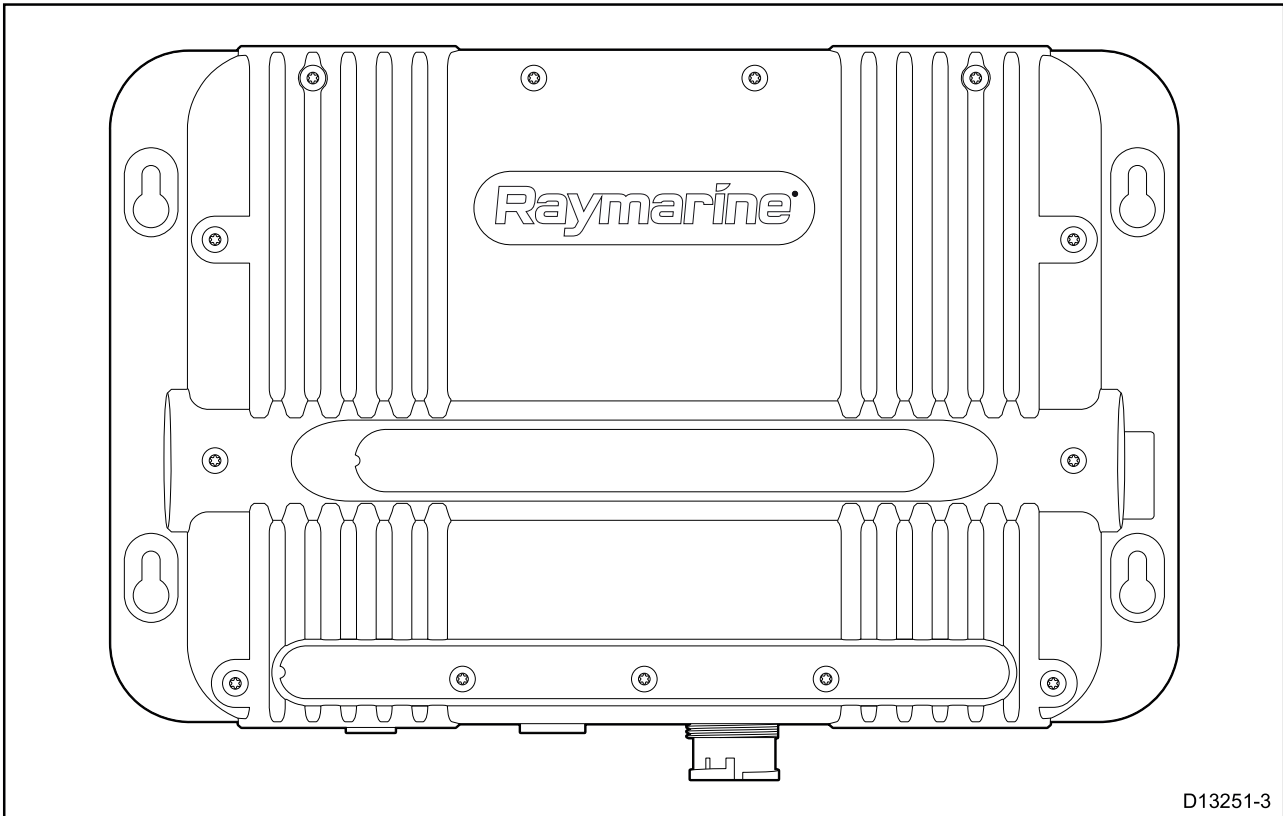
D13250-3

The CP370 has the following features:

- Single channel **ClearPulse™** sonar (conical beam).
- Up to 1,500 m depth range.
- Water temperature and speed sensing.
- Support for transom, through-hull and in-hull transducers.
- 12 V or 24 V dc operation.
- Waterproof to IPX6.
- Robust and waterproof high-speed network connection.

CP470 product overview

The CP470 is a **ClearPulse™** CHIRP broadband sonar module. In conjunction with a compatible multifunction display, the CP470 provides a detailed view of the water beneath your vessel including the bottom, enabling you to identify fish and other objects.

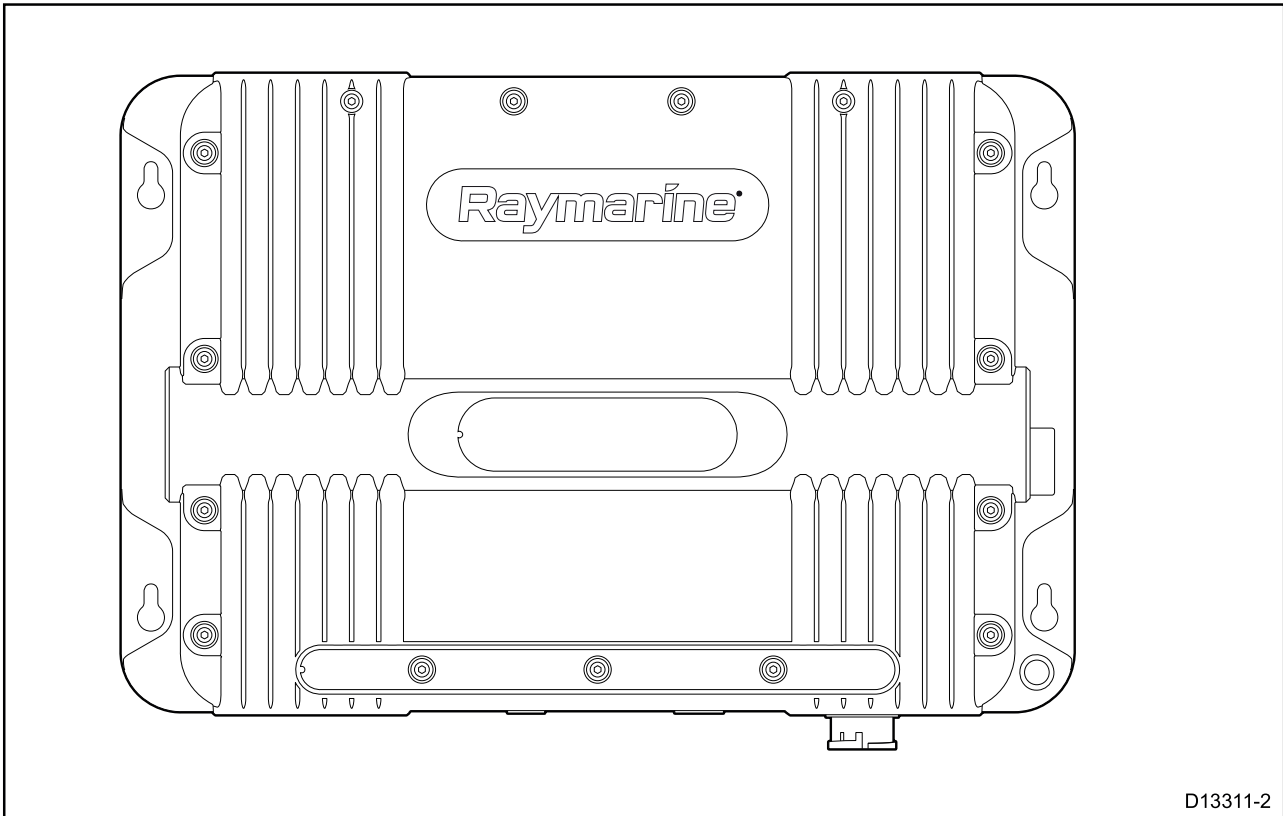


The CP470 has the following features:

- **ClearPulse™** CHIRP broadband sonar (conical beam).
- Up to 3,000 m depth range.
- Water temperature and speed sensing.
- Support for transom, through-hull and in-hull transducers.
- Support for Wide Beam transducers.
- 12 V or 24 V dc operation.
- Waterproof to IPX6.
- Robust and waterproof high-speed network connection.

CP570 product overview

The CP570 is a **ClearPulse™** CHIRP dual-channel broadband sonar module. In conjunction with a compatible multifunction display, the CP570 provides a detailed view of the water beneath your vessel including the bottom, enabling you to identify fish and other objects.



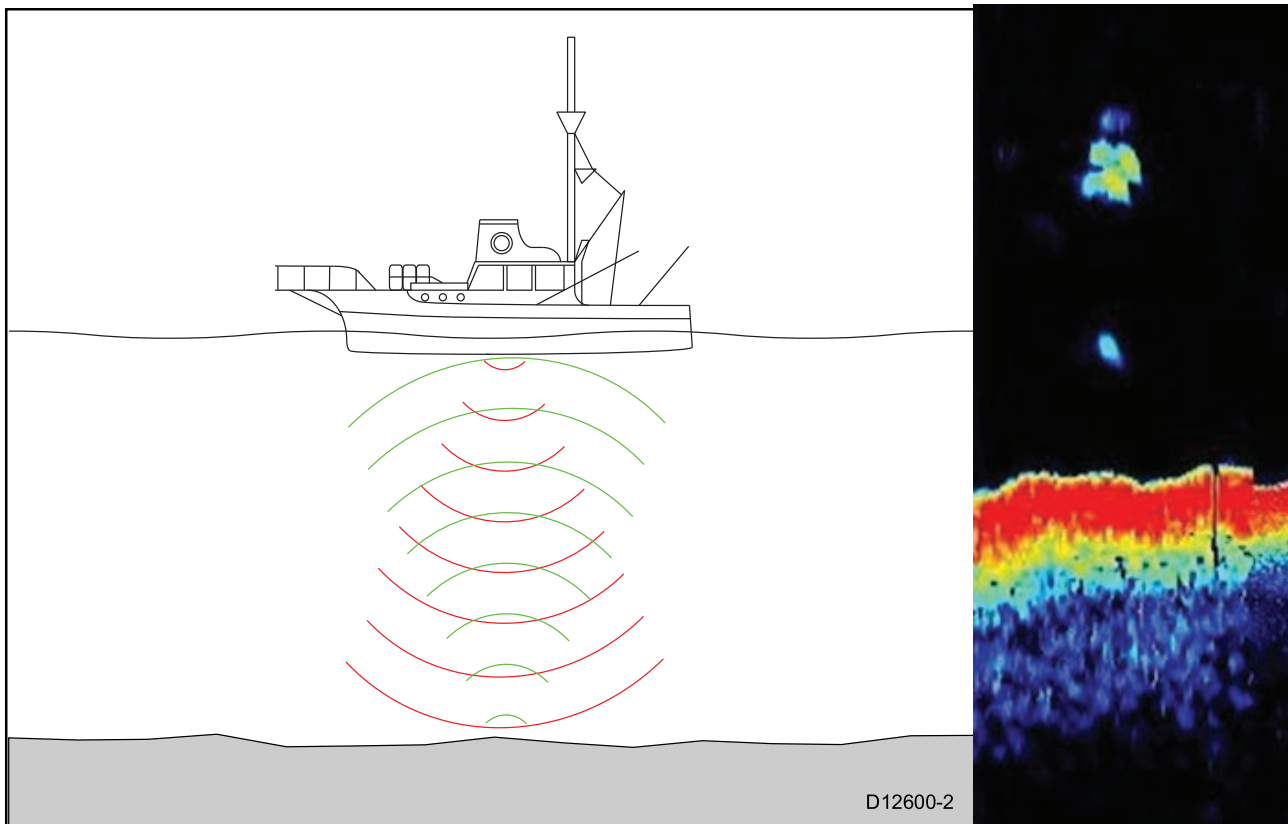
The CP570 has the following features:

- Dual channel **ClearPulse™** CHIRP sonar (conical beam).
- Independent channels (2 transmit, 2 receive).
- Up to 3,000 m depth range
- Water temperature and speed sensing.
- Support for transom, through-hull and in-hull transducers.
- Support for Wide Beam transducers.
- 12 V or 24 V dc operation.
- Waterproof to IPX6.
- Robust and waterproof high-speed network connection.

2.4 Sonar technology

Traditional sonar technology

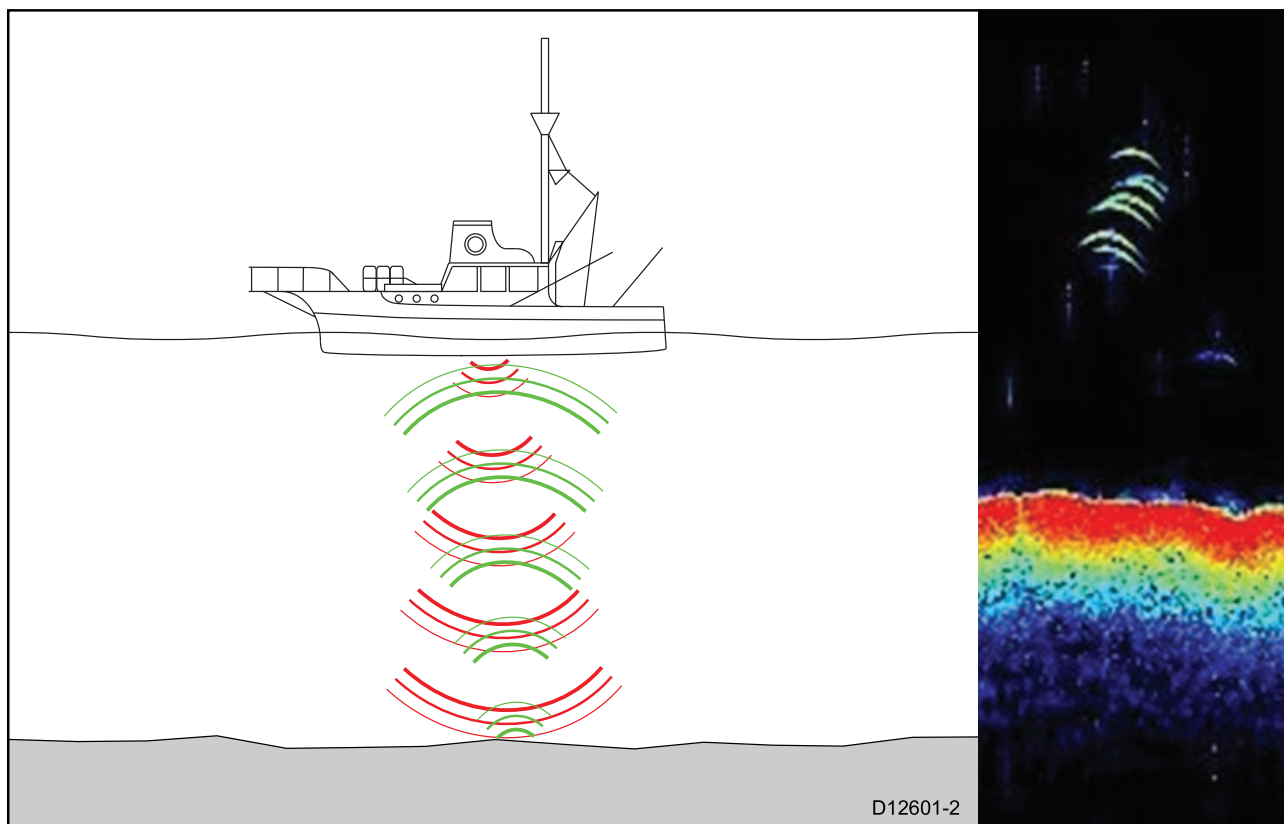
Traditional sonar uses a single carrier frequency or carrier wave for the sonar ping. The sonar works by measuring the time it takes the ping echo to return to the transducer to determine target depth.



CHIRP technology

CHIRP sonars use a swept frequency 'CHIRP' signal which can distinguish between multiple close targets, this enables the sonar to display multiple targets instead of large combined targets that you would see when using traditional non-CHIRP sonar.

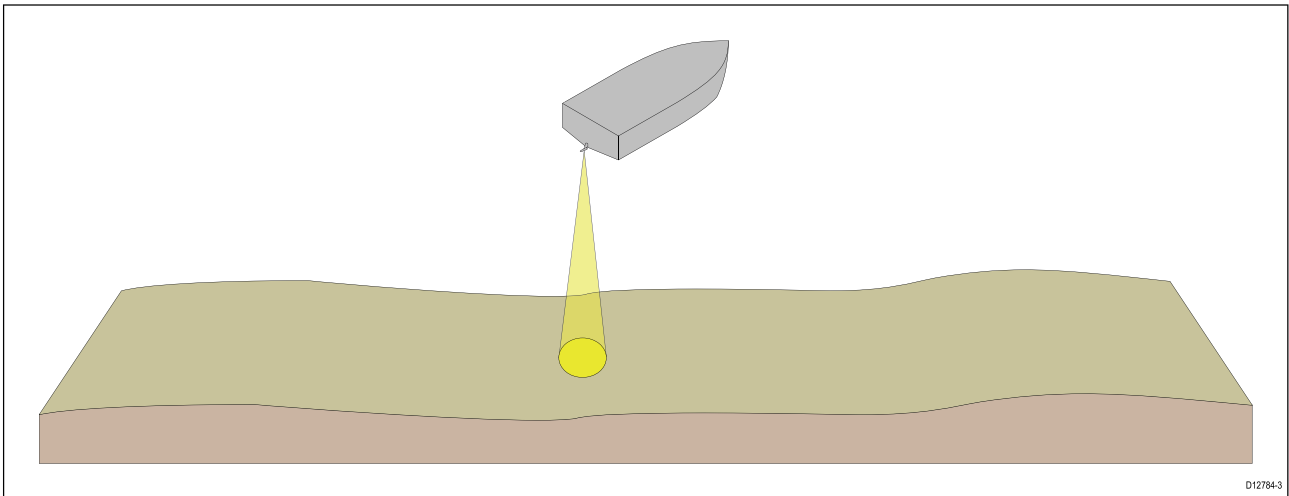
Benefits of CHIRP include improvements to target resolution, bottom detection even through bait balls and thermoclines and detection sensitivity.



CHIRP Sonar overview

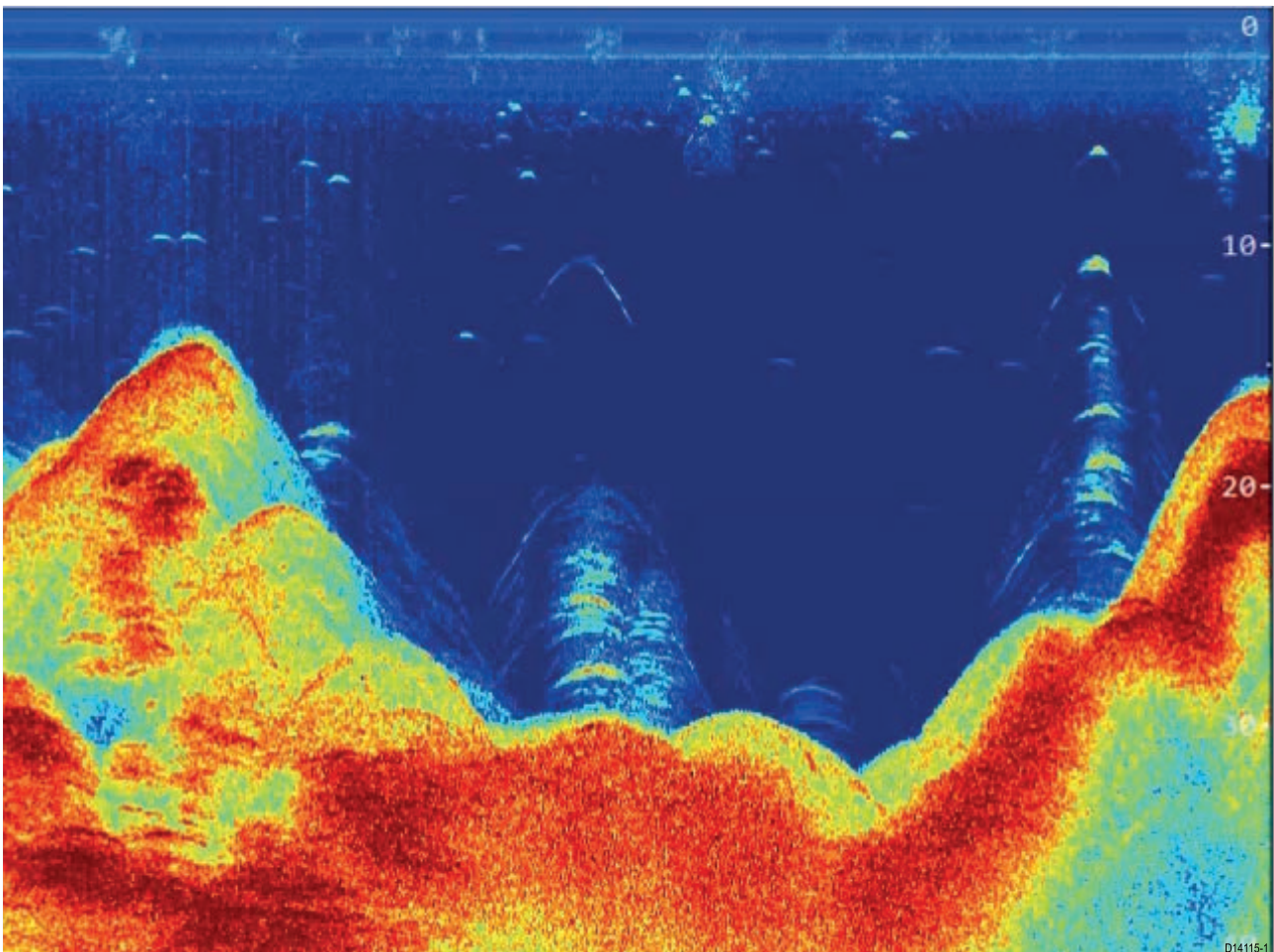
CHIRP sonar produces a conical shaped beam, the coverage of the conical beam is the water column directly beneath the vessel

Conical beam



Sonar is effective at a range of speeds. In deeper waters the CHIRP bandwidth is automatically optimized to improve bottom lock and the detection of moving objects (e.g. fish) in the wider water column.

CHIRP sonar screen example



2.5 Raymarine sonar modules

The table below lists Raymarine's current range of sonar modules.

Sonar module	Type	Technology
CP100	External	CHIRP DownVision ™ / Sonar
CP200	External	SideVision ™
CP300 / CP370	External	Traditional (1 kW)
CP450C / CP470	External	CHIRP
CP570	External	CHIRP
RVX1000	External	CHIRP RealVision ™ 3D / CHIRP DownVision ™ / CHIRP / Traditional (1kW) sonar / 200W CHIRP sonar / SideVision ™
Axiom™ Pro 9 RVX /12 RVX /16 RVX	Internal	CHIRP RealVision ™ 3D / CHIRP DownVision ™ / CHIRP / Traditional (1kW) sonar / 200W CHIRP sonar / SideVision ™
Axiom™ Pro 9 S /12 S /16 S	Internal	200W CHIRP sonar
Axiom™ 7 DV	Internal	CHIRP DownVision ™ / Sonar / Traditional (600W) sonar / 200W CHIRP sonar
Axiom™ 7 /9 / 12 RV 3D	Internal	CHIRP RealVision ™ 3D / CHIRP DownVision ™ / Sonar / Traditional (600W) sonar / 200W CHIRP sonar
a68 / a78 / a98 / a128 / eS78 / eS98 / eS128	Internal	CHIRP DownVision ™ / Sonar
a67 / a77 / a97 / a127 / c97 / c127 / e7D / e97 / e127 / eS77 / eS97 / eS127	Internal	Traditional (600W) sonar
DSM30 / DSM300	External	Legacy external
Dragonfly	Internal	CHIRP DownVision ™ / Sonar

Note: **SideVision**™ cannot be used as a source of depth data.

Chapter 3: Planning the installation

Chapter contents

- 3.1 Installation checklist on page 28
- 3.2 Required additional components on page 29
- 3.3 Multifunction display compatibility on page 30
- 3.4 Software updates on page 31
- 3.5 Compatible transducers on page 32
- 3.6 Tools required on page 33
- 3.7 System examples on page 34
- 3.8 Warnings and cautions on page 37
- 3.9 General location requirements on page 38
- 3.10 Product dimensions on page 40

3.1 Installation checklist

Installation includes the following activities:

Installation Task	
1	Plan your system.
2	Obtain all required equipment and tools.
3	Site all equipment.
4	Route all cables.
5	Drill cable and mounting holes.
6	Make all connections into equipment.
7	Secure all equipment in place.
8	Power on and test the system.

Schematic diagram

A schematic diagram is an essential part of planning any installation. It is also useful for any future additions or maintenance of the system. The diagram should include:

- Location of all components.
- Connectors, cable types, routes and lengths.

3.2 Required additional components

This product forms part of a system of electronics and requires the following additional components for full operation.

- Compatible transducer: transom, through-hull, in-hull, or pocket/keel mount. Refer to the Raymarine website for a list of transducers that are compatible with your sonar module: www.raymarine.com/transducers. Refer to **CP370: EMC compliance** for information about regional restrictions that apply to transducers used with the CP370 sonar module.
- Compatible Raymarine multifunction display. Refer to **Compatible multifunction displays** for a list of compatible products.
- Data cables. Refer to **Chapter 4 Cables and connections** for suitable cables. Some installations may also require extensions to data, power or transducer cables. Refer to the **Chapter 4 Cables and connections** and **Chapter 10 Spares and accessories** sections for more information.

CP370: EMC compliance

Important: To ensure EMC Compliance, the transducers listed below are NOT certified to be used with the CP370 in the following regions:

- Australia;
- New Zealand;
- any member state of the European Economic Area (EEA);
- European Free Trade Association countries Iceland, Liechtenstein, Norway and Switzerland;
- any country that requires EMC Directive Compliance.

If in doubt, please contact your local dealer or Raymarine technical support.

Transducers NOT certified to be used with the CP370 in the regions listed above:

- E66054 (P66, Plastic, Transom mount)
- E66008 (P79, Plastic, In-hull)
- A66091 (B744V, Bronze, Through-hull)
- A66092 (B744VL, Bronze, Through-hull)
- E66013 (P319, Plastic, Through-hull)
- E66014 (B117, Bronze, Through-hull)
- E66085 (B60–20°, Bronze, Tilted element, Through-hull)
- E66086 (B60–12°, Bronze, Tilted element, Through-hull)

3.3 Multifunction display compatibility

Compatible multifunction displays

The following Raymarine multifunction displays are compatible with your sonar module.

Multifunction display	CP370	CP470	CP570
Axiom XL	●	●	●
Axiom Pro / Pro-S	●	●	●
Axiom	●	●	●
gS Series	●	●	●
eS Series	●	●	●
e Series	●	●	●
c Series	●	●	●
a Series	●	●	●
E-Series Widescreen	●	Not compatible	Not compatible
C-Series Widescreen	●	Not compatible	Not compatible
G-Series	●	Not compatible	Not compatible
E Classic	●	Not compatible	Not compatible
C Classic	Not compatible	Not compatible	Not compatible

Lighthouse MFD software requirements

To use this product with a Raymarine LightHouse™ MFD, ensure that your MFD is running the required version of the software.

MFD software	Required version
LightHouse™ 2	R17 or later
LightHouse™ 3	3.0 or later

Note:

The latest MFD software can be obtained by visiting www.raymarine.com/software.

Operation instructions

For detailed operation instructions for your product, refer to the documentation that accompanies your display.

All product documentation is available to download from the Raymarine website: www.raymarine.com/manuals.

3.4 Software updates

The software running on the product can be updated.

- Raymarine periodically releases software updates to improve product performance and add new features.
- The software on many products can be updated using a connected and compatible multifunction display (MFD).
- Refer to www.raymarine.com/software/ for the latest software updates and the software update procedure for your specific product.

Important:

- To prevent potential software-related issues with your product, always follow the relevant update instructions carefully and in the sequence provided.
- If in doubt as to the correct procedure for updating your product software, refer to your dealer or Raymarine technical support.

Caution: Installing software updates

The software update process is carried out at your own risk. Before initiating the update process ensure you have backed up any important files.

Ensure that the unit has a reliable power supply and that the update process is not interrupted.

Damage caused by incomplete updates are not covered by Raymarine warranty.

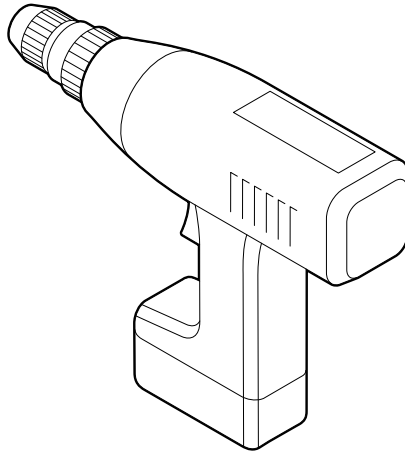
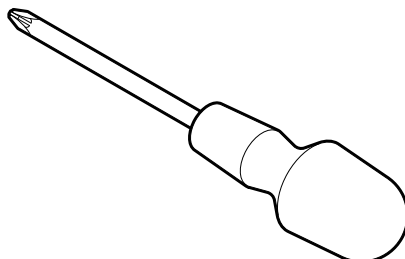
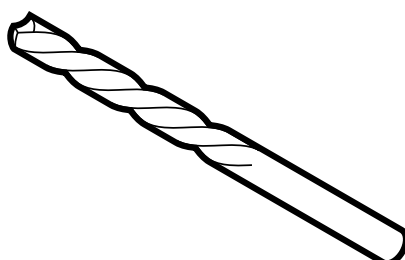
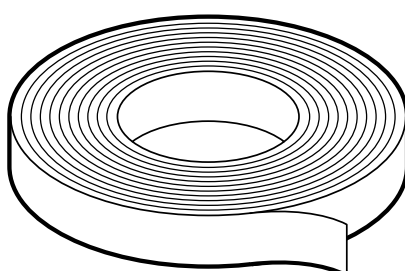
By downloading the software update package, you agree to these terms.

3.5 Compatible transducers

Refer to the Raymarine website for a list of transducers that are compatible with your sonar module:
www.raymarine.com/transducers.

3.6 Tools required

Product installation requires the following tools:

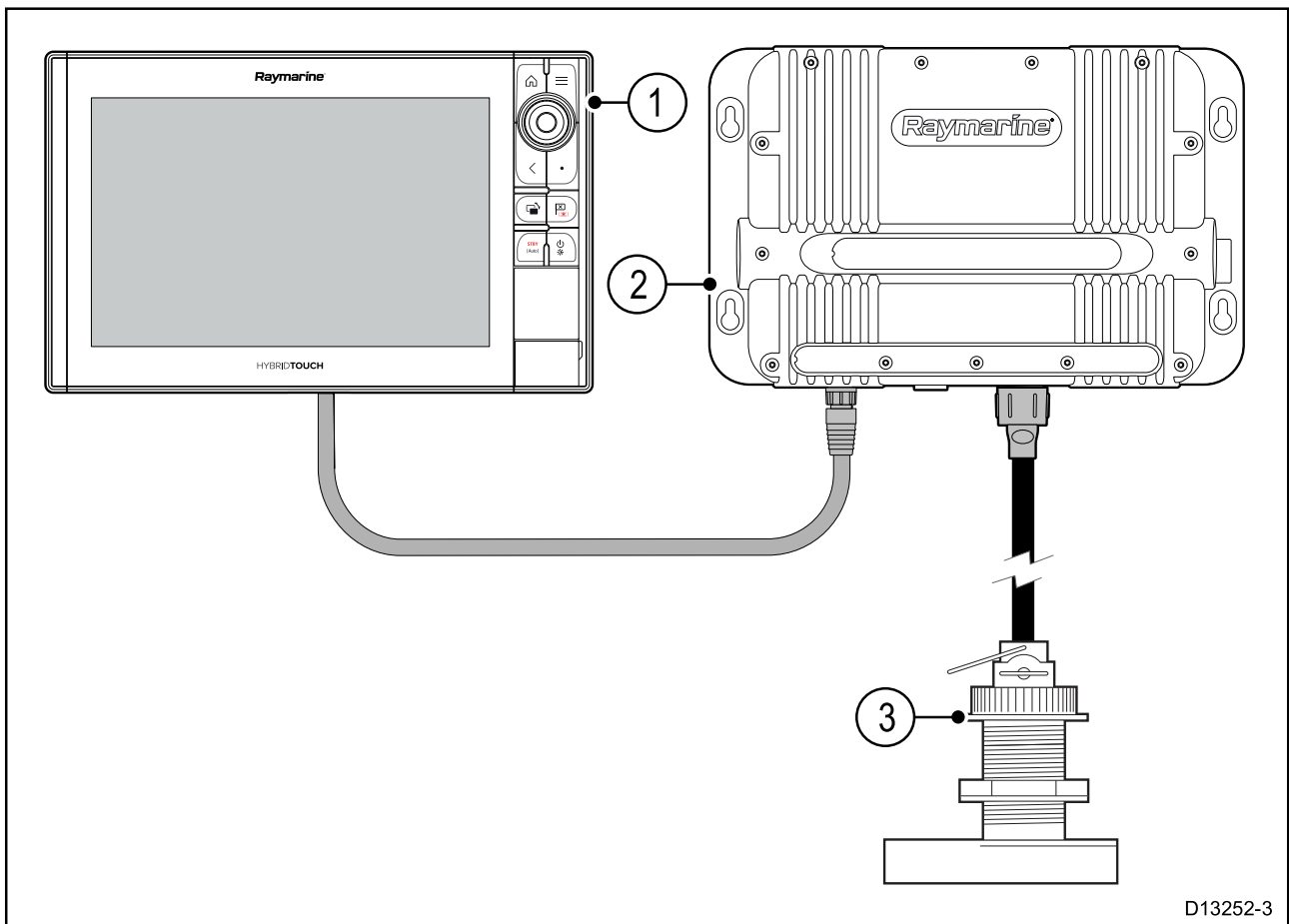
Item	Description	Quantity
	Power drill	1
	Pozidrive screwdriver	1
	Drill bit of appropriate size*	1
	Adhesive tape	1

Note: * The appropriate drill bit size is dependent on the thickness and material of the mounting surface.

3.7 System examples

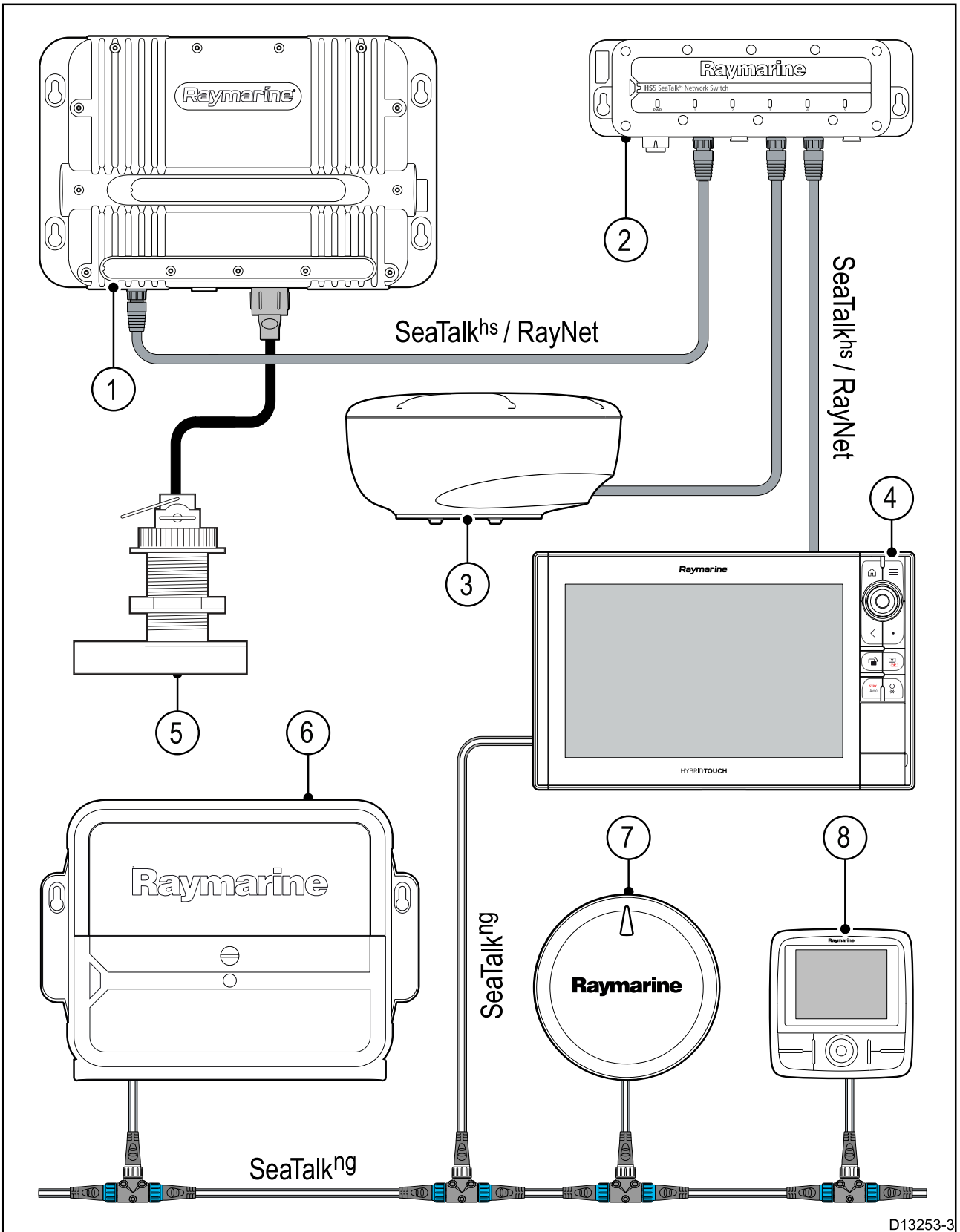
The system examples below apply to your sonar module.

Example: Basic system



Item	Description
1	Compatible Raymarine multifunction display
2	Sonar module (CP470 illustrated)
3	Transducer

Example: Extended system



D13253-3

Item	Description
1	Sonar module (CP470 illustrated)
2	Raymarine network switch
3	Digital radome
4	Compatible Raymarine multifunction display
5	Transducer

Item	Description
6	Actuator Control Unit (ACU)
7	EV unit
8	SeaTalk ^{ng} Pilot controller

Note: For detailed information on sonar module connections refer to [Chapter 4 Cables and connections](#).

3.8 Warnings and cautions

Important: Before proceeding, ensure that you have read and understood the warnings and cautions provided in the [Chapter 1 Important information](#) section of this document.

3.9 General location requirements

Important considerations when choosing a suitable location for your product.

This product is suitable for mounting above or below decks.

The product should be mounted where it will be:

- protected from physical damage and excessive vibration.
- well ventilated and away from heat sources.
- away from any potential ignition source such as an engine room, near fuel tanks or a gas locker.

When choosing a location for the product, consider the following points to ensure reliable and trouble-free operation:

- **Access** — there must be sufficient space to enable cable connections to the product, avoiding tight bends in the cable.
- **Diagnostics** — the product must be mounted in a location where the diagnostics LED is easily visible.

Note: Not all products include a diagnostics LED. Refer to the [Chapter 6 System checks and troubleshooting](#) for more information.

- **Electrical interference** — the product should be mounted far enough away from any equipment that may cause interference such as motors, generators and radio transmitters / receivers.
- **Magnetic compass** — refer to the *Compass safe distance* section in this document for advice on maintaining a suitable distance between this product and any compasses on your vessel.
- **Power** — to keep cable runs to a minimum, the product must be located as close as possible to the vessel's dc power supply.
- **Mounting surface** — ensure the product is adequately supported on a secure surface. Refer to the weight information provided in the *Technical specification* for this product and ensure that the intended mounting surface is suitable for bearing the product weight. Do NOT mount units or cut holes in places which may damage the structure of the vessel.

Cable routing requirements

Consider the following before installing the system cables:

- You will need to attach power, transducer and network cables to the unit.
- The transducer cable should only be extended where the sonar module cannot be installed close enough to the transducer to allow a direct connection.
- All cables should be adequately secured, protected from physical damage, and protected from exposure to heat.
- Avoid sharp bends in cables.
- Use a watertight feed-through wherever a cable passes through an exposed bulkhead or deckhead.
- Secure cables in place using tie-wraps or lacing twine. Coil any extra cable and tie it out of the way.
- Do NOT run cables through bilges or doorways, or close to moving or hot objects.
- Do NOT run cables near to engines or fluorescent lights.

Always route data cables as far away as possible from:

- other equipment and cables,
- high current carrying ac and dc power lines,
- antennas.

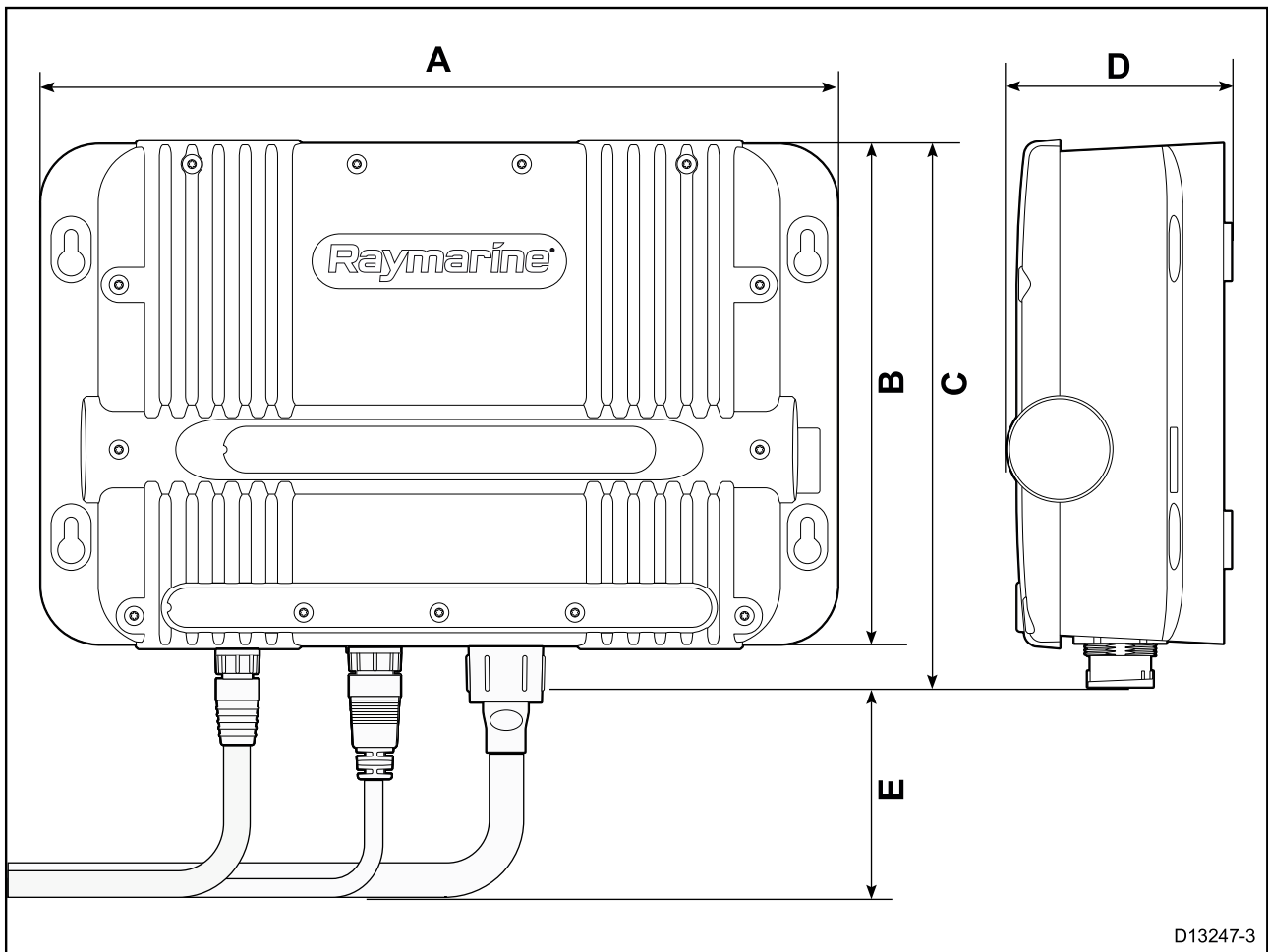
Compass safe distance

To prevent potential interference with the vessel's magnetic compasses, ensure an adequate distance is maintained from the product.

When choosing a suitable location for the product you should aim to maintain the maximum possible distance from any compasses. Typically this distance should be at least 1 m (3.3 ft) in all directions. However for some smaller vessels it may not be possible to locate the product this far away from a compass. In this situation, when choosing the installation location for your product, ensure that the compass is not affected by the product when it is in a powered state.

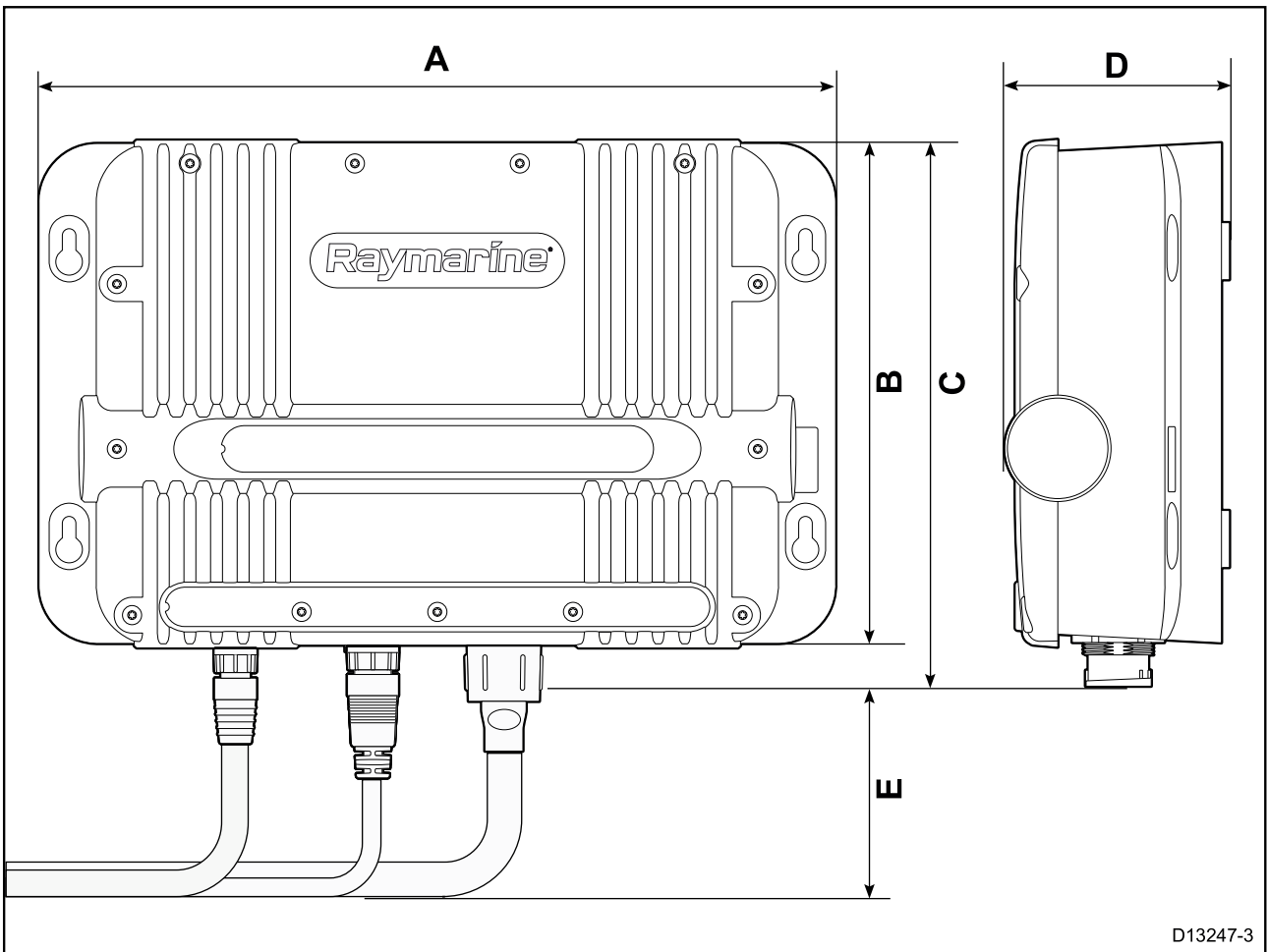
3.10 Product dimensions

CP370 dimensions



Item	Dimension
A	299.4 mm (11.79 in)
B	188.0 mm (7.4 in)
C	201.5 mm (7.9 in)
D	84.4 mm (3.3 in)
E	80.0 mm (3.1 in)

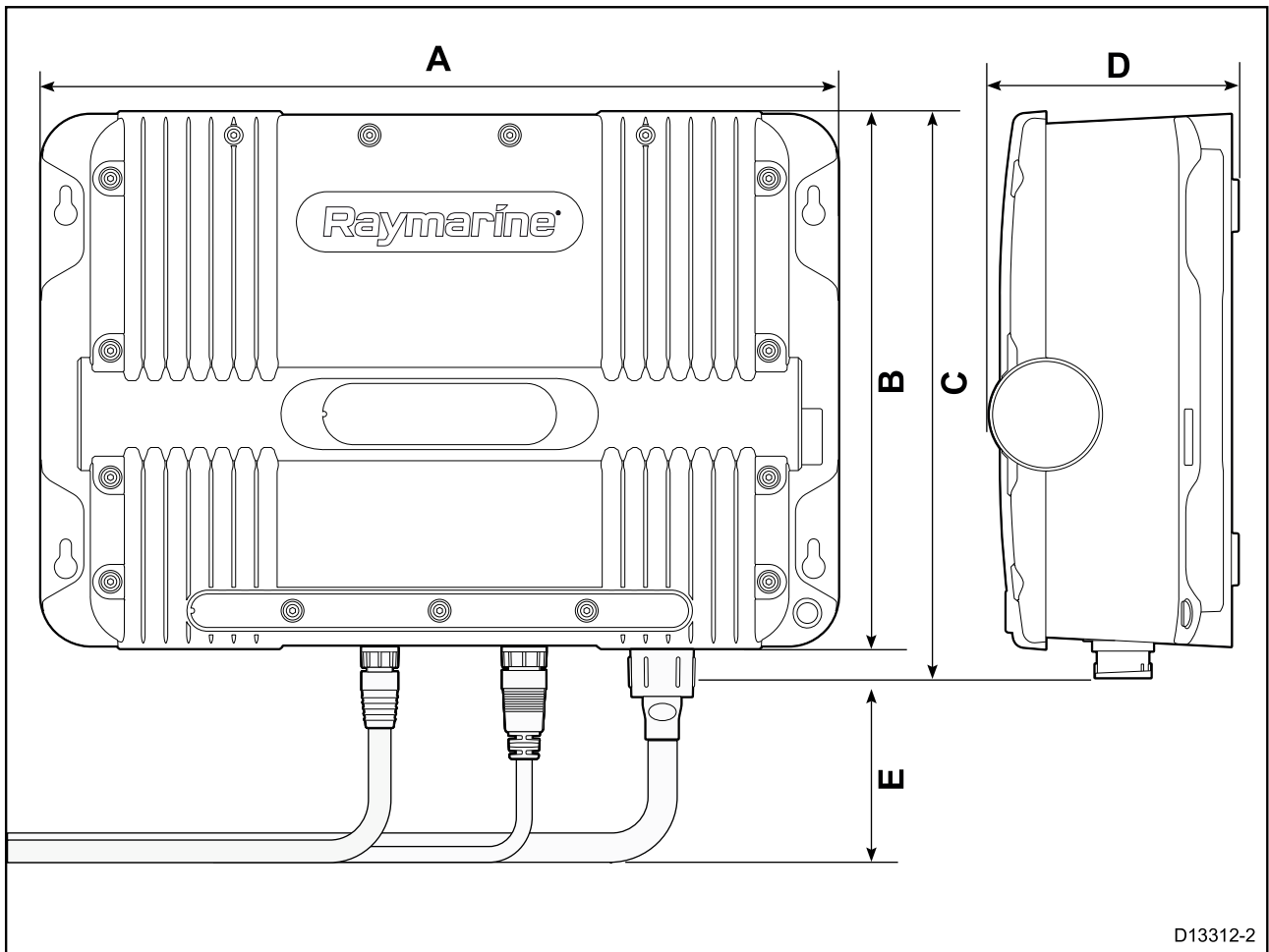
CP470 dimensions



D13247-3

Item	Dimension
A	299.4 mm (11.79 in)
B	188.0 mm (7.4 in)
C	205.6 mm (8.1 in)
D	84.4 mm (3.3 in)
E	80.0 mm (3.1 in)

CP570 dimensions



D13312-2

Item	Dimension
A	352.5 mm (13.9 in)
B	235 mm (9.3 in)
C	248.1 mm (9.8 in)
D	109.9 mm (4.3 in)
E	80.0 mm (3.1 in)

Chapter 4: Cables and connections

Chapter contents

- [4.1 General cabling guidance on page 44](#)
- [4.2 Connections overview on page 46](#)
- [4.3 Power connection on page 48](#)
- [4.4 Transducer connections on page 54](#)
- [4.5 Network connection on page 62](#)

4.1 General cabling guidance

Cable types and length

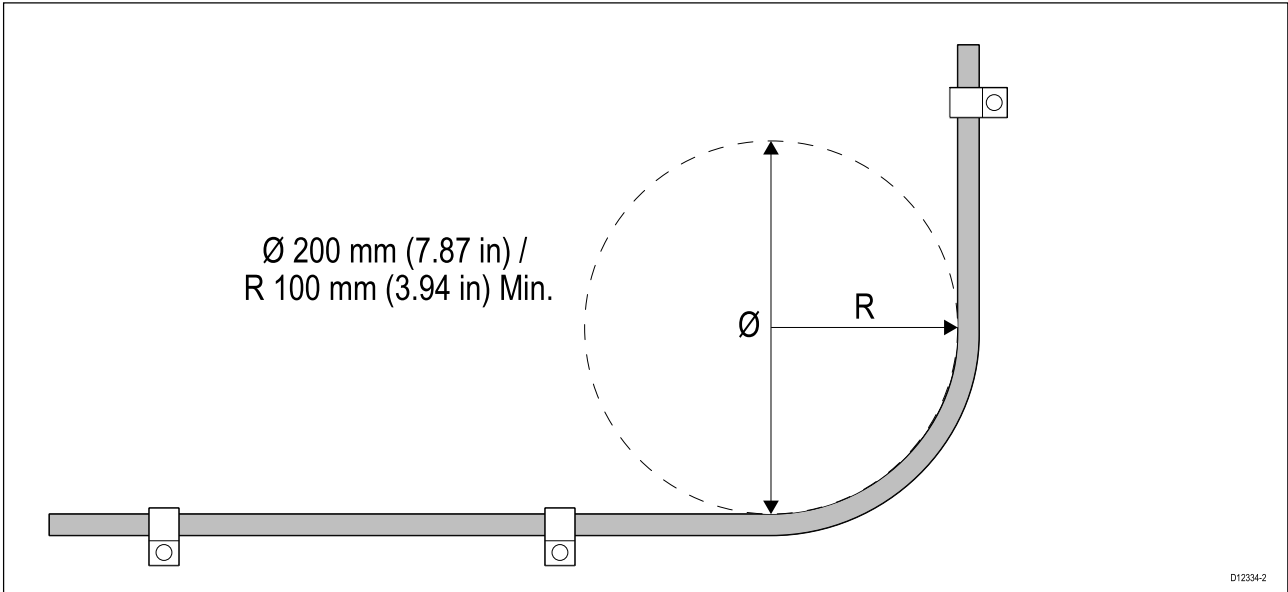
It is important to use cables of the appropriate type and length

- Unless otherwise stated use only standard cables of the correct type, supplied by Raymarine.
- Ensure that any non-Raymarine cables are of the correct quality and gauge. For example, longer power cable runs may require larger wire gauges to minimize voltage drop along the run.

Routing cables

Cables must be routed correctly, to maximize performance and prolong cable life.

- Do NOT bend cables excessively. Wherever possible, ensure a minimum bend diameter (\emptyset) of 200 mm (7.87 in) / minimum bend radius (R) of 100 mm (3.94 in).



- Protect all cables from physical damage and exposure to heat. Use trunking or conduit where possible. Do NOT run cables through bilges or doorways, or close to moving or hot objects.
- Secure cables in place using cable clips or cable ties. Coil any extra cable and tie it out of the way.
- Where a cable passes through an exposed bulkhead or deckhead, use a suitable watertight feed-through.
- Do NOT run cables near to engines or fluorescent lights.

Always route data cables as far away as possible from:

- other equipment and cables,
- high current carrying AC and DC power lines,
- antennas.

Strain relief

Ensure adequate strain relief is provided. Protect connectors from strain and ensure they will not pull out under extreme sea conditions.

Circuit isolation

Appropriate circuit isolation is required for installations using both AC and DC current:

- Always use isolating transformers or a separate power-inverter to run PC's, processors, displays and other sensitive electronic instruments or devices.
- Always use an isolating transformer with Weather FAX audio cables.
- Always use an isolated power supply when using a 3rd party audio amplifier.
- Always use an RS232/NMEA converter with optical isolation on the signal lines.
- Always make sure that PC's or other sensitive electronic devices have a dedicated power circuit.

Cable shielding

Ensure that all cables are properly shielded and that the cable shielding is undamaged.

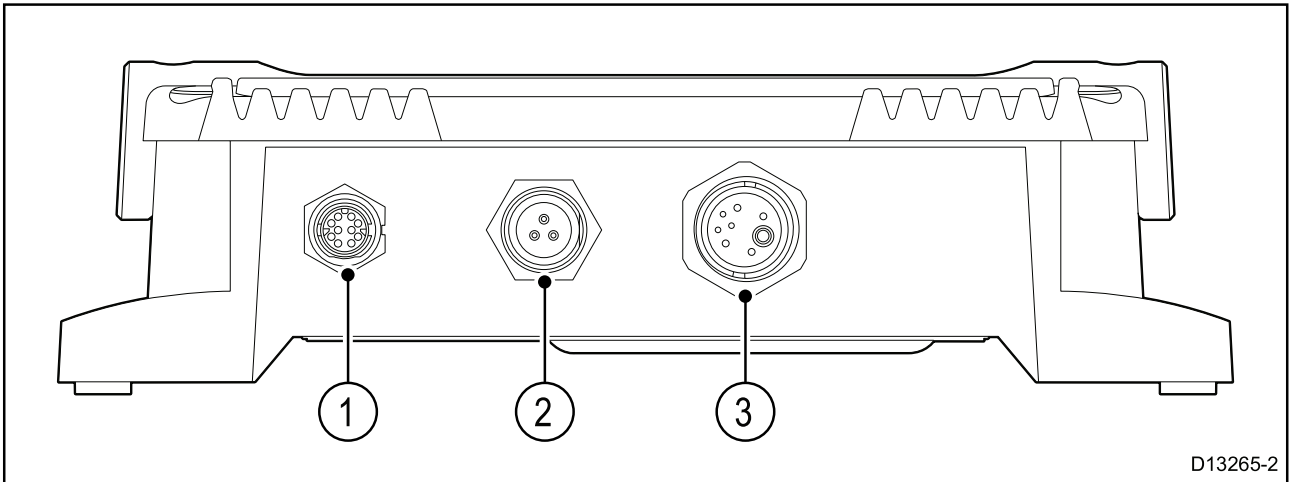
Suppression ferrites

- Raymarine cables may be pre-fitted or supplied with suppression ferrites. These are important for correct EMC performance. If ferrites are supplied separately to the cables (i.e. not pre-fitted), you must fit the supplied ferrites, using the supplied instructions.
- If a ferrite has to be removed for any purpose (e.g. installation or maintenance), it must be replaced in the original position before the product is used.
- Use only ferrites of the correct type, supplied by Raymarine or its authorized dealers.
- Where an installation requires multiple ferrites to be added to a cable, additional cable clips should be used to prevent stress on the connectors due to the extra weight of the cable.

4.2 Connections overview

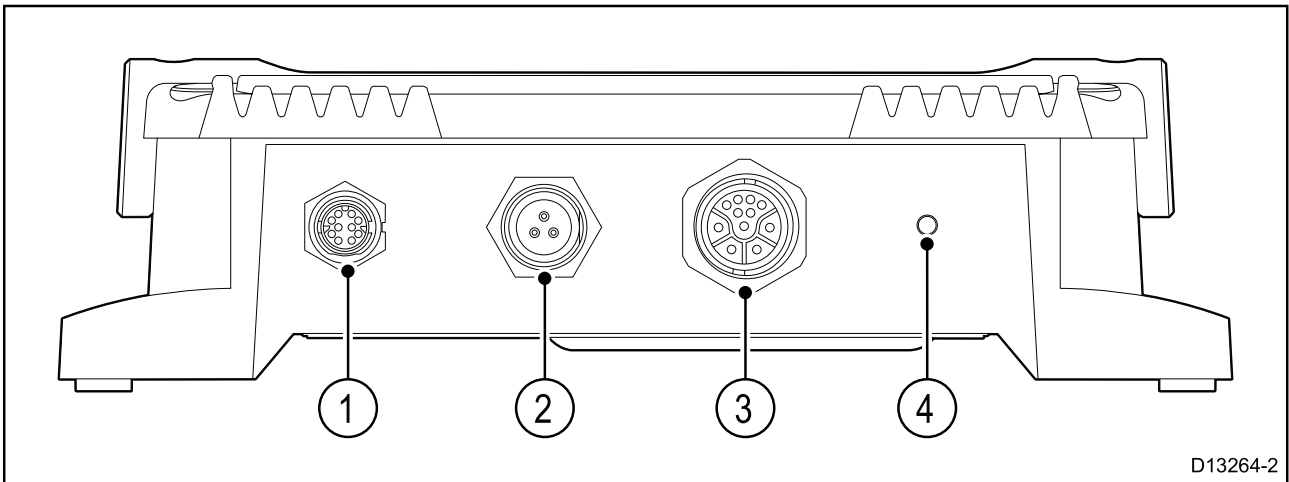
Cable connectors for your sonar module are shown below:

CP370 sonar module



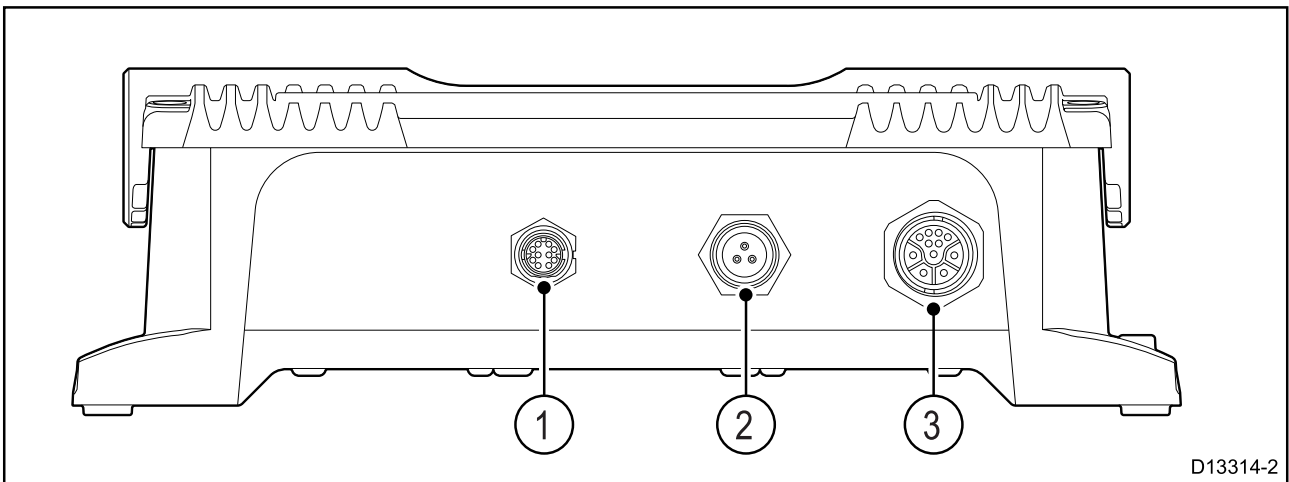
D13265-2

CP470 sonar module



D13264-2

CP570 sonar module



D13314-2

Item	Description
1	Network connection
2	Power connection
3	Transducer connection
4	Additional grounding point (CP470 only)

Making connections

Follow the steps below to connect the cable(s) to your product.

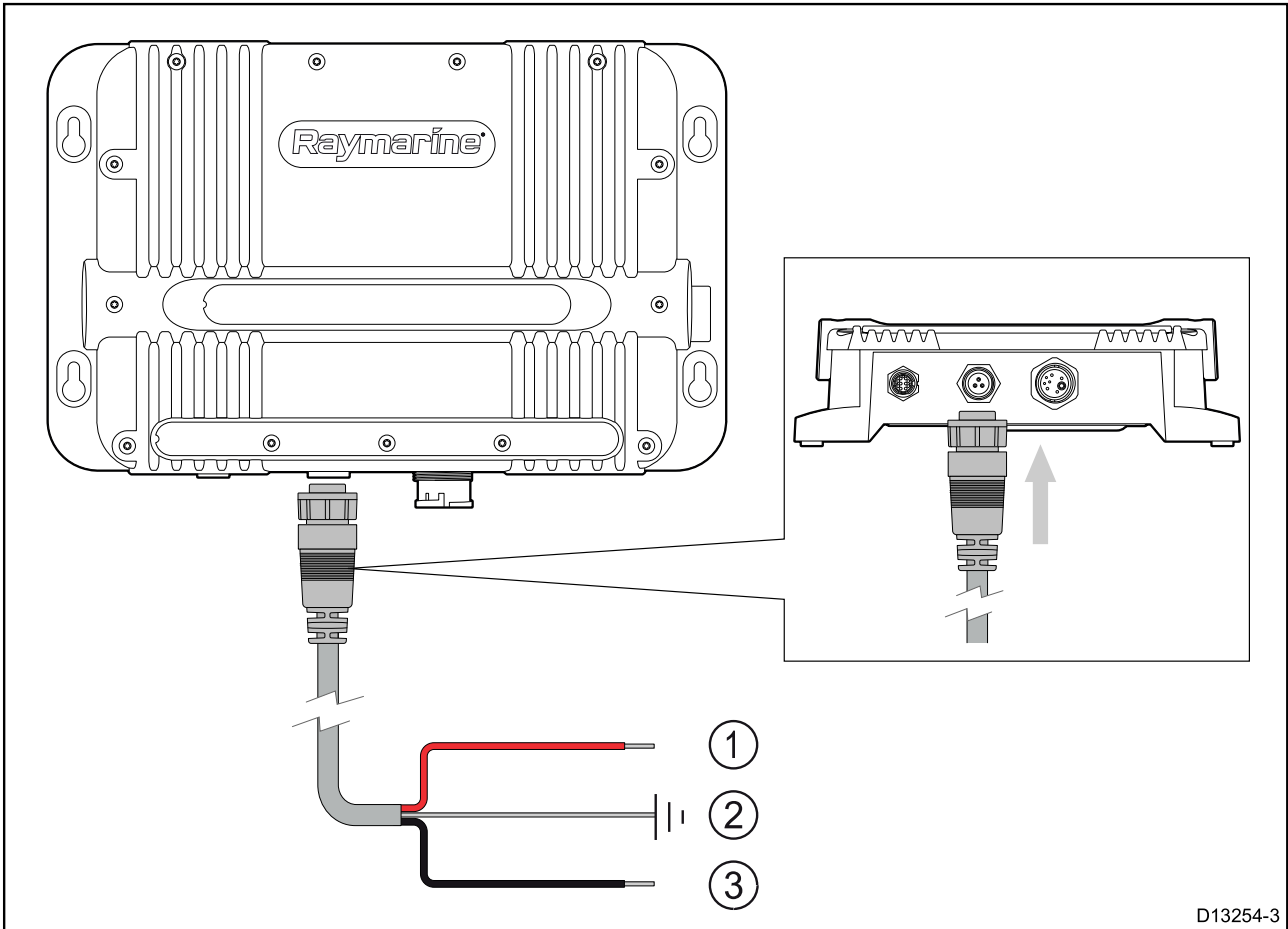
1. Ensure that the vessel's power supply is switched off.
2. Ensure that the device being connected to the unit has been installed in accordance with the installation instructions supplied with that device.
3. Ensuring correct orientation, push the cable connector fully onto the corresponding connector on the unit.
4. Turn the locking collar clockwise to secure the cable.

4.3 Power connection

Power must be supplied to the sonar module from an appropriate power source.

Power connection requirements

- 12 or 24 Vdc nominal supply voltage
- Isolated power supply
- Connected via an appropriately rated thermal breaker or fused switch. Refer to: [In-line fuse and thermal breaker ratings](#).



D13254-3

	Description	Connects to:
1	Red cable (positive)	Power supply's positive terminal.
2	Drain / Ground	Vessel RF ground, or negative battery terminal
3	Black cable (negative)	Power supply's negative terminal.

In-line fuse and thermal breaker ratings

The following in-line fuse and thermal breaker ratings apply to your product:

In-line fuse rating	Thermal breaker rating
5 A slow blow	5 A (if only connecting one device)

Note:

- The suitable fuse rating for the thermal breaker is dependent on the number of devices you are connecting. If in doubt consult an authorized FLIR dealer.
- Your product's power cable may have a fitted in-line fuse, if not then you can add an in-line fuse to the positive wire of your product's power connection.

Power distribution

Recommendations and best practice.

- The product is supplied with a power cable, either as a separate item or a captive cable permanently attached to the product. Only use the power cable supplied with the product. Do NOT use a power cable designed for, or supplied with, a different product.
- Refer to the *Power connection* section for more information on how to identify the wires in your product's power cable, and where to connect them.
- See below for more information on implementation for some common power distribution scenarios.

Important:

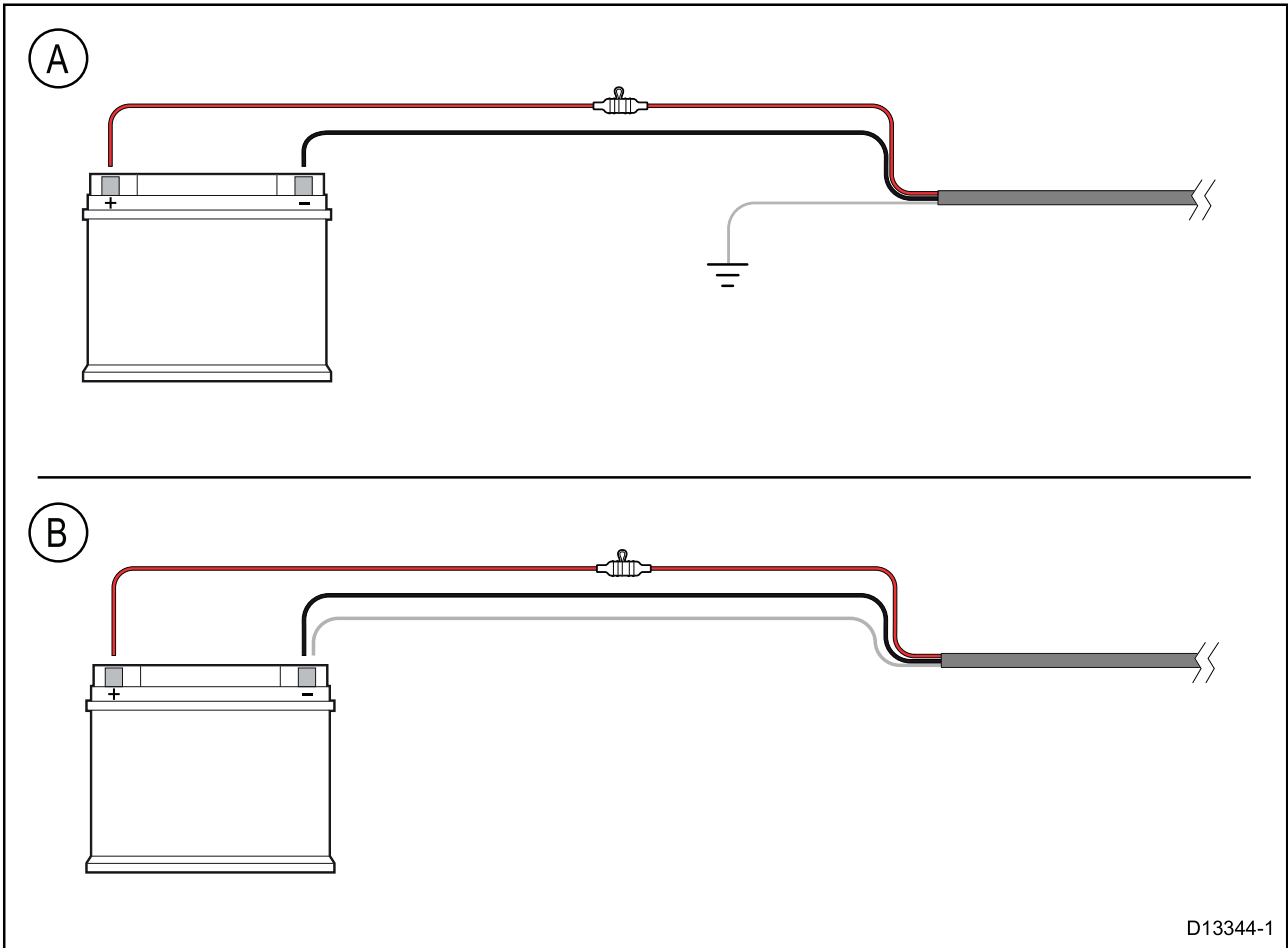
When planning and wiring, take into consideration other products in your system, some of which (e.g. sonar modules) may place large power demand peaks on the vessel's electrical system, which may impact the voltage available to other products during the peaks.

Note:

The information provided below is for guidance only, to help protect your product. It covers common vessel power arrangements, but does NOT cover every scenario. If you are unsure how to provide the correct level of protection, please consult an authorized Raymarine dealer or a suitably qualified professional marine electrician.

Implementation — direct connection to battery

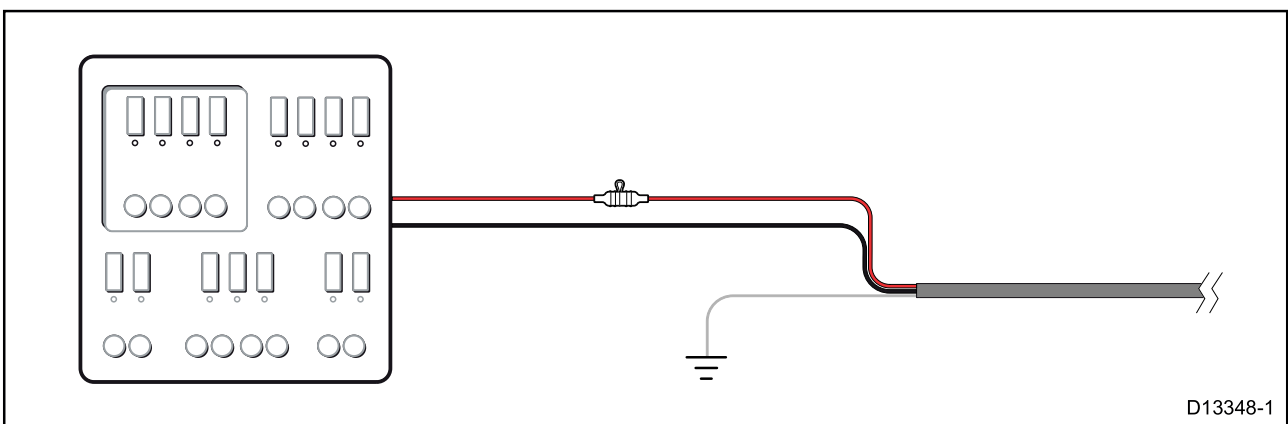
- The power cable supplied with your product may be connected directly to the vessel's battery, via a suitably rated fuse or breaker.
- The power cable supplied with your product may NOT include a separate drain wire. If this is the case, only the power cable's red and black wires need to be connected.
- If the supplied power cable is NOT fitted with an inline fuse, you MUST fit a suitably rated fuse or breaker between the red wire and the battery's positive terminal.
- Refer to the inline fuse ratings provided in the product's documentation.
- If you need to extend the length of the power cable supplied with your product, ensure you observe the dedicated *Power cable extensions* advice provided in the product's documentation.



D13344-1

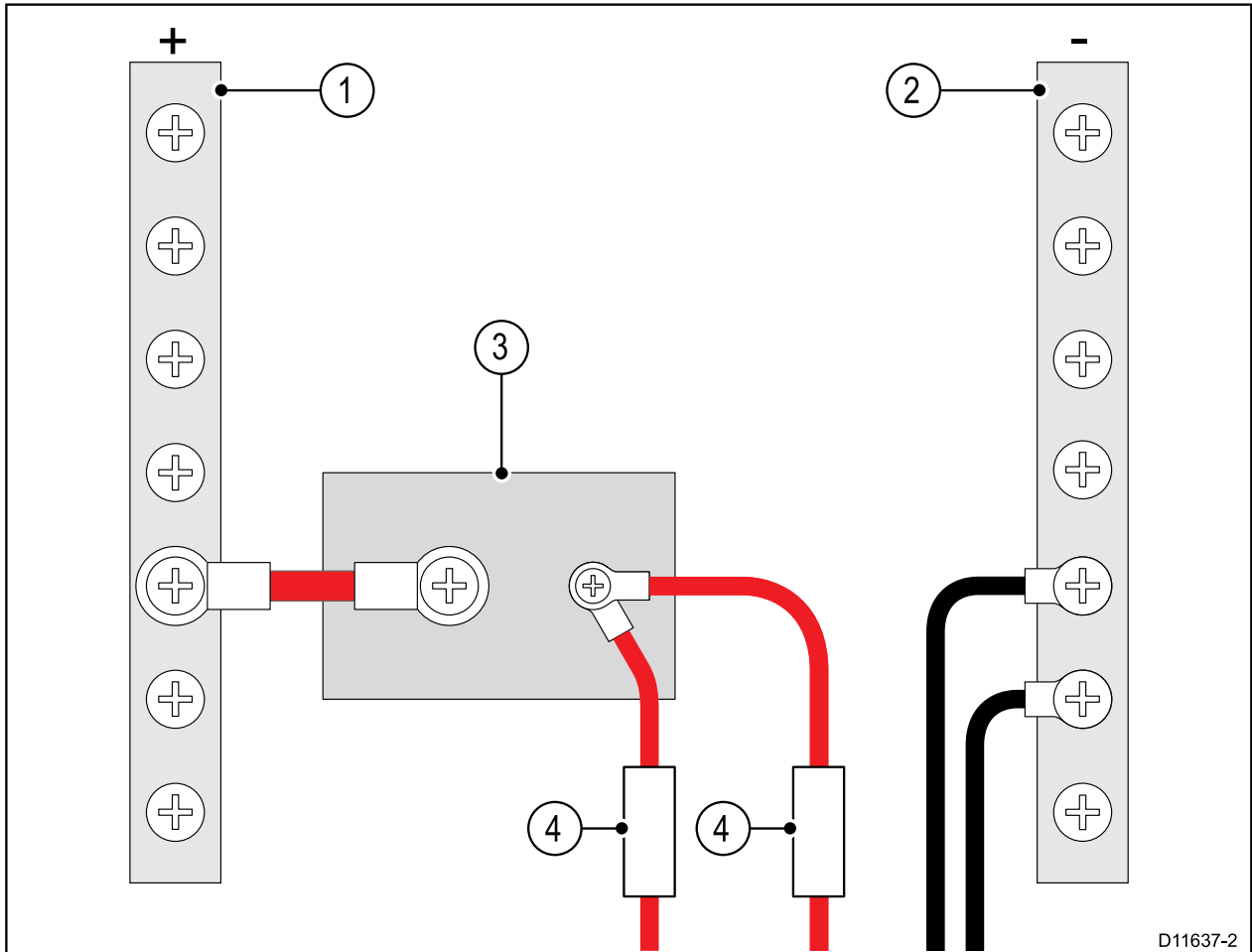
A	Battery connection scenario A: suitable for a vessel with a common RF ground point. In this scenario, if your product's power cable is supplied with a separate drain wire then it should be connected to the vessel's common ground point.
B	Battery connection scenario B: suitable for a vessel without a common grounding point. In this case, if your product's power cable is supplied with a separate drain wire then it should be connected directly to the battery's negative terminal.

Implementation – connection to distribution panel



D13348-1

- Alternatively, the supplied power cable may be connected to a suitable breaker or switch on the vessel's distribution panel or factory-fitted power distribution point.
- The distribution point should be fed from the vessel's primary power source by 8 AWG (8.36 mm²) cable.
- Ideally, all equipment should be wired to individual suitably-rated thermal breakers or fuses, with appropriate circuit protection. Where this is not possible and more than 1 item of equipment shares a breaker, use individual in-line fuses for each power circuit to provide the necessary protection.



1	Positive (+) bar
2	Negative (-) bar
3	Circuit breaker
4	Fuse

- In all cases, observe the recommended breaker / fuse ratings provided in the product's documentation.

Important:

Be aware that the suitable fuse rating for the thermal breaker or fuse is dependent on the number of devices you are connecting.

Power cable extension

If you need to extend the length of the power cable supplied with your product, ensure you observe the following advice:

- The power cable for each unit in your system should be run as a separate, single length of 2-wire cable from the unit to the vessel's battery or distribution panel.
- For power cable extensions, a **minimum** wire gauge of 16 AWG (1.31 mm²) is recommended. For cable runs longer than 15 meters, you may need to consider a thicker wire gauge (e.g. 14 AWG (2.08 mm²), or 12 AWG (3.31 mm²)).
- An important requirement for all lengths of power cable (including any extension) is to ensure that there is a continuous **minimum** voltage at the product's power connector of 10.8 V dc, with a fully flat battery at 11 V dc.

Important: Be aware that some products in your system (such as sonar modules) can create voltage peaks at certain times, which may impact the voltage available to other products during the peaks.

Grounding

Ensure that you observe any separate grounding advice provided in the product's documentation.

More information

It is recommended that best practice is observed in all vessel electrical installations, as detailed in the following standards:

- BMEA Code of Practice for Electrical and Electronic Installations in Boats
- NMEA 0400 Installation Standard
- ABYC E-11 AC & DC Electrical Systems on Boats
- ABYC A-31 Battery chargers and Inverters
- ABYC TE-4 Lightning Protection

Grounding — Dedicated drain wire

The power cable supplied with this product includes a dedicated shield (drain) wire for connection to a vessel's RF ground point.

It is important that an effective RF ground is connected to the system. A single ground point should be used for all equipment. The unit can be grounded by connecting the shield (drain) wire of the power cable to the vessel's RF ground point. On vessels without an RF ground system the shield (drain) wire should be connected directly to the negative battery terminal.

The dc power system should be either:

- Negative grounded, with the negative battery terminal connected to the vessel's ground.
- Floating, with neither battery terminal connected to the vessel's ground



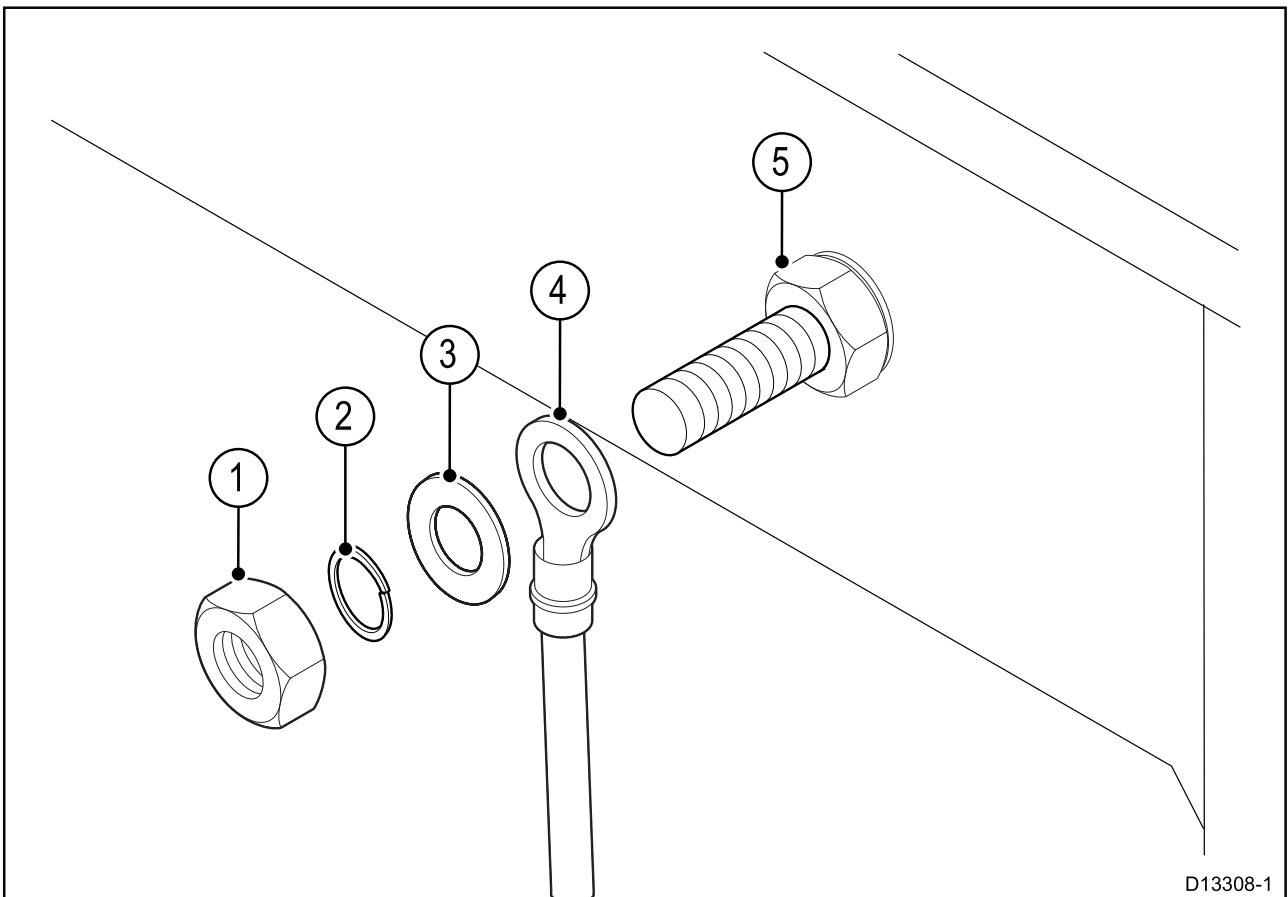
Warning: Positive ground systems

Do not connect this unit to a system which has positive grounding.

Grounding — additional dedicated drain wire required (CP470 only)

The CP470 requires an additional dedicated drain wire. This wire supplements the drain wire (shield) that is part of the product's power cable.

CP470 sonar module — additional grounding connection



D13308-1

Item	Description
1	Nut
2	Spring washer
3	Washer
4	Additional drain wire
5	Product additional ground point

Connect one end of the additional drain wire to your product. To locate the additional grounding point on your product, refer to the Connections illustration in this document.

Connect the other end of the additional drain wire to the same point as the power cable drain wire (shield). This will be either the vessel's RF ground point, or on vessels without an RF ground system, the negative battery terminal.

The dc power system should be either:

- Negative grounded, with the negative battery terminal connected to the vessel's ground; or
- Floating, with neither battery terminal connected to the vessel's ground.

If several items require grounding, they may first be connected to a single local point (e.g. within a switch panel), with this point connected via a single, appropriately-rated conductor, to the vessel's common RF ground point.

Implementation

The preferred minimum requirement for the path to ground is via a flat tinned copper braid, with a 30 A rating (1/4 inch) or greater. If this is not possible, an equivalent stranded wire conductor may be used, rated as follows:

- for runs of <1 m (3 ft), use 6 mm² (#10 AWG) or greater.
- for runs of >1 m (3 ft), use 8 mm² (#8 AWG) or greater.

In any grounding system, always keep the length of connecting braid or wires as short as possible.

References

- ISO10133/13297
- BMEA code of practice
- NMEA 0400

4.4 Transducer connections



Warning: Transducer cables

Do not remove the transducer cable whilst the product is powered on, doing so can cause sparks. If the transducer cable is accidentally removed whilst the product is powered on, switch the product's power off, replace the cable and then switch the power back on.

Caution: Do not cut transducer cables

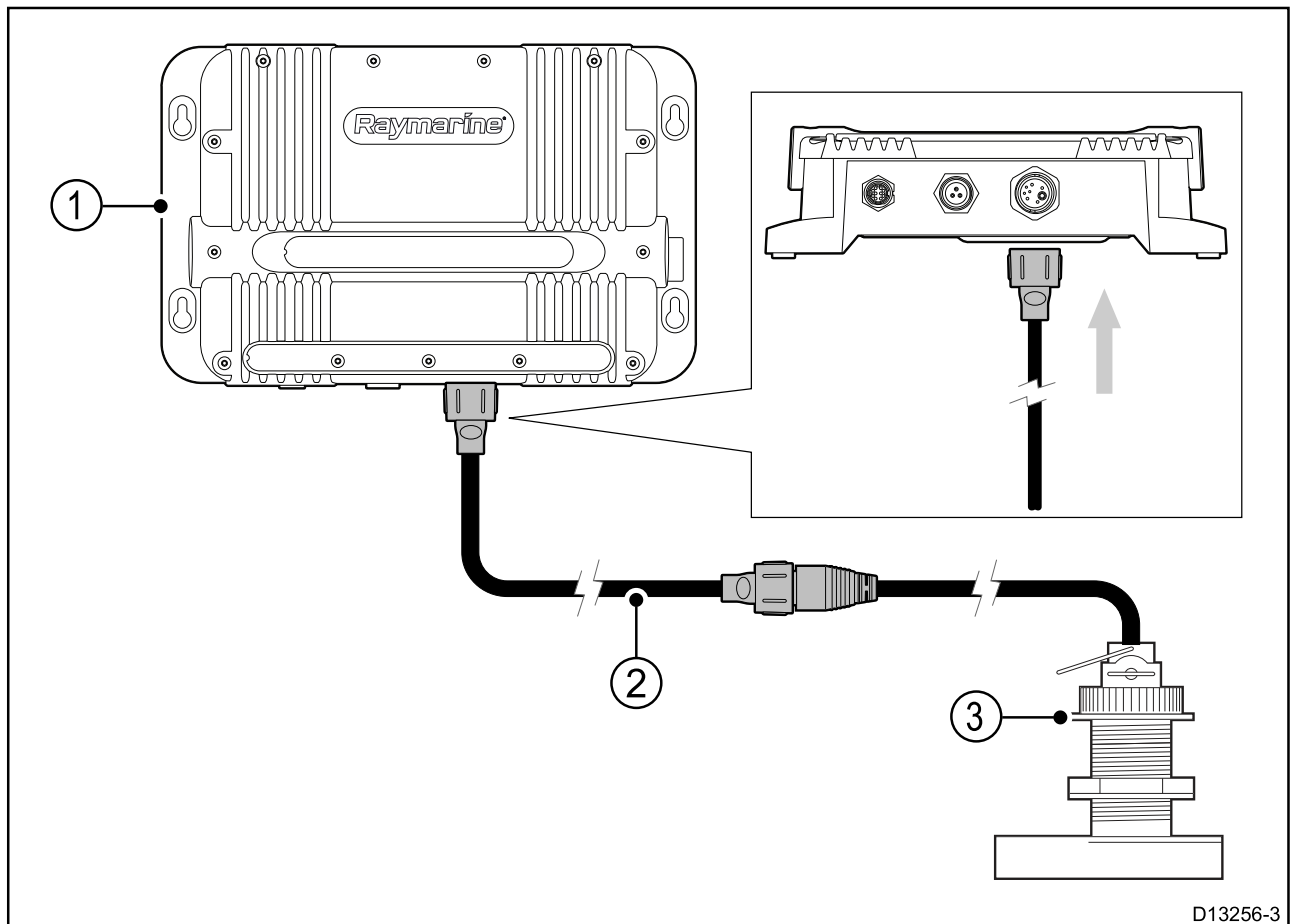
- Cutting the transducer cable severely reduces sonar performance. If the cable is cut, it must be replaced, it cannot be repaired.
- Cutting the transducer cable will void the warranty and invalidate the European CE mark.

CP370 Transducer connections

The CP370 is a **ClearPulse™** sonar module designed for use with traditional transducers.

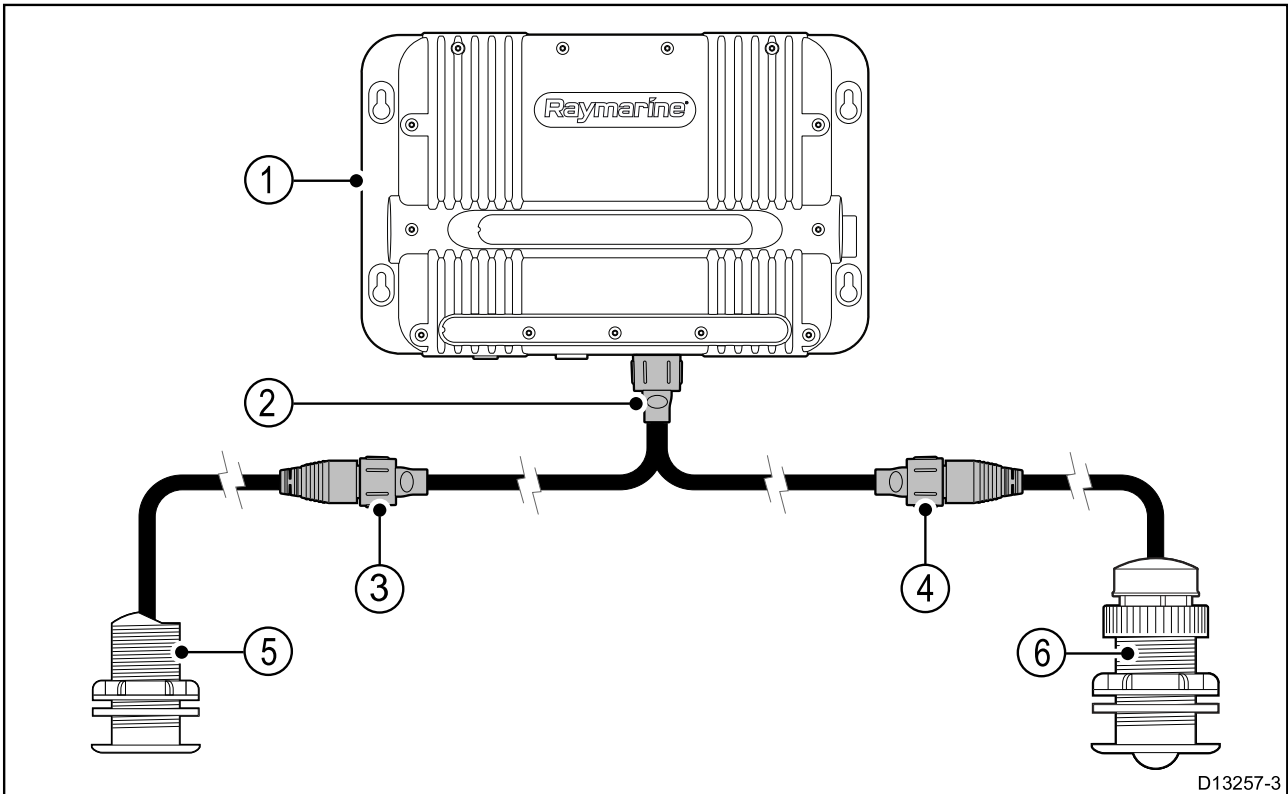
Transducers must be installed in accordance with the instructions provided with the transducer.

Traditional transducer connection



Item	Description
1	CP370
2	Optional extension cable (part number E66010)
3	Transducer

Dual transducer connections



D13257-3

Item	Description
1	CP370
2	Dual Speed and Temperature traditional transducer cable (part number E66022)
3	Cable to transducer connection
4	Cable to transducer connection
5	Traditional transducer (e.g. Depth)
6	Traditional transducer (e.g. Speed and Temperature)

Refer to the Raymarine website for a list of transducers that are compatible with your sonar module: www.raymarine.com/transducers.

For a list of transducer cables refer to [10.1 Spares and accessories](#).

CP470 / CP570 Transducer connections

The CP470 is a **ClearPulse™** CHIRP broadband sonar module designed for use with broadband transducers.

The CP570 is a **ClearPulse™** CHIRP dual-channel broadband sonar module designed for use with broadband transducers.

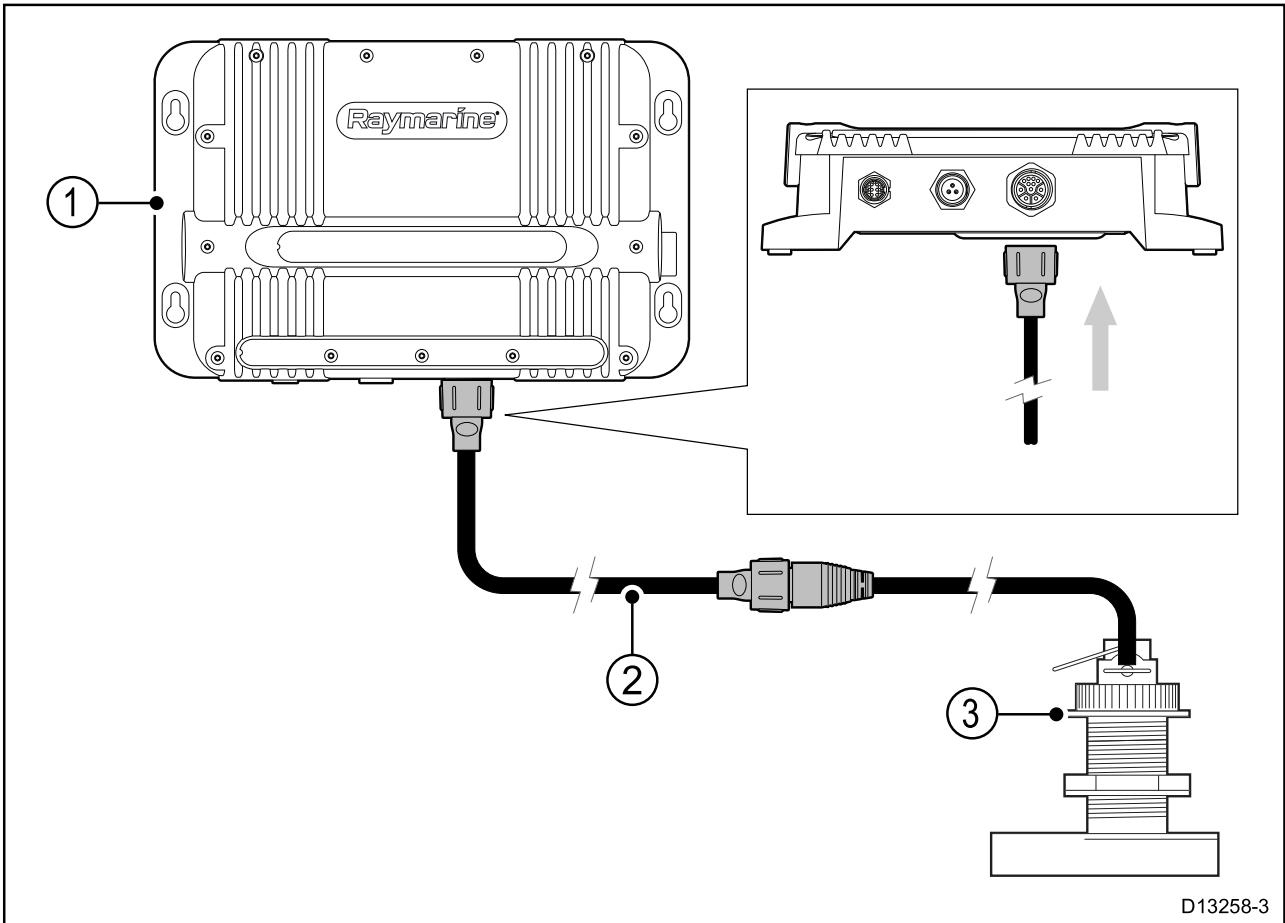
Note: Transducers without Transducer ID® are not supported.

Check the website www.raymarine.com for information about transducers that are compatible with your CP570 sonar module.

Important: Transducers must be installed in accordance with the instructions provided with the transducer.

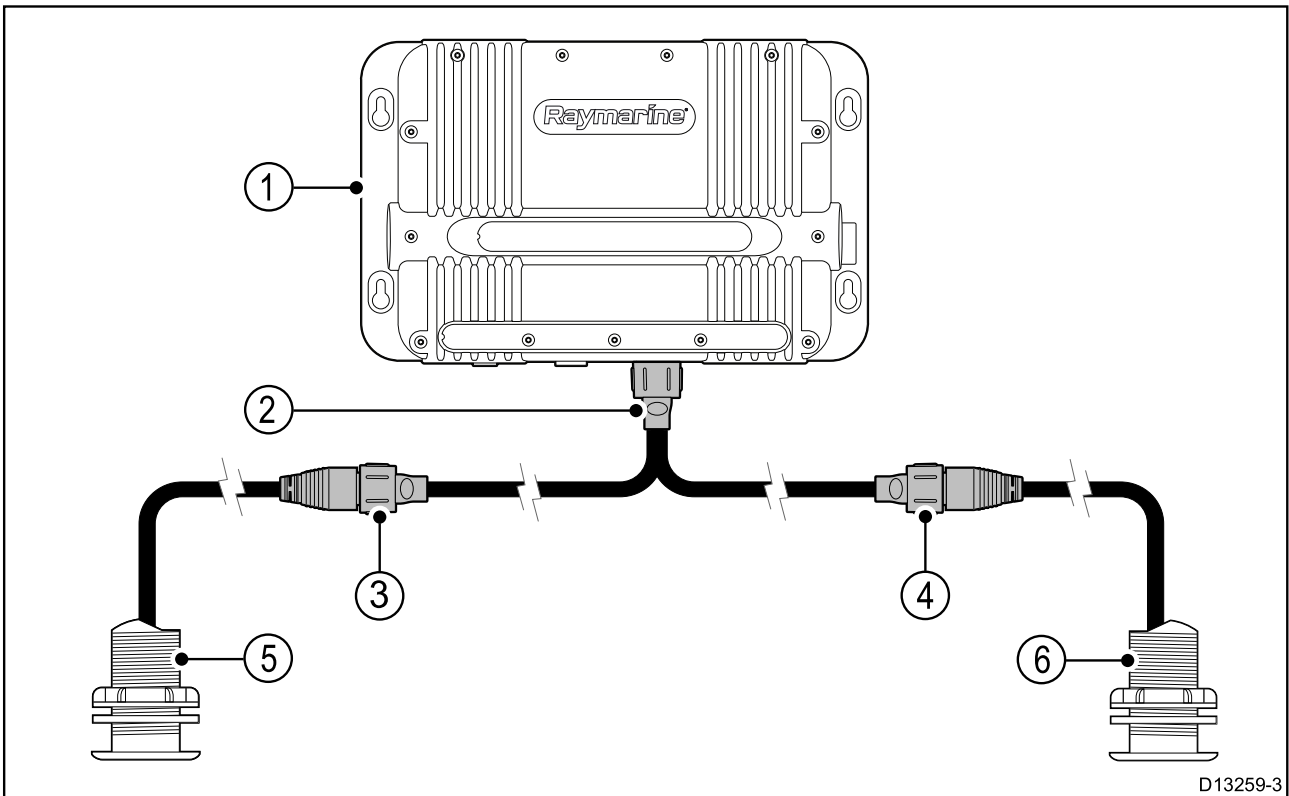
The following connection diagrams show a CP470 sonar module, but also applicable to the CP570 sonar module.

Broadband transducer connections



Item	Description
1	CP470
2	Optional extension cable (part numbers A102148 – 3 m / A102510 – 5 m / A80327 – 10 m)
3	Broadband transducer

Dual broadband (single element) transducer connections



D13259-3

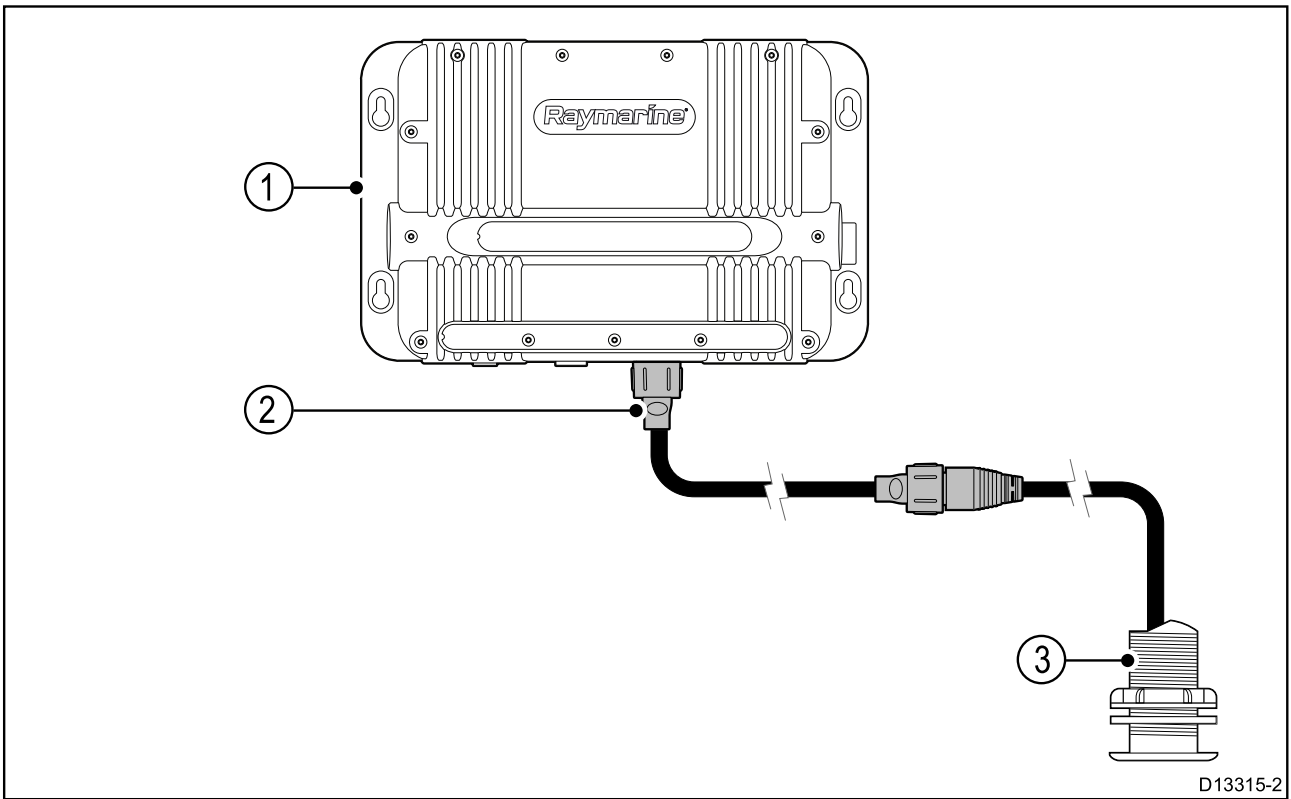
Item	Description
1	CP470
2	Paired CHIRP transducer Y-cable (part number A102146)
3	Channel B of combined cable
4	Channel A of combined cable
5	Broadband transducer
6	Broadband transducer

Transducer pair connections

Transducer Pair Frequencies	Cable Channel A	Cable Channel B
Low & High	Low frequency transducer	High frequency transducer
Low & Medium	Low frequency transducer	Medium frequency transducer
Medium & High	Medium frequency transducer	High frequency transducer

Note: When fitting transducer pairs ensure that channel A and channel B of the transducer cable are connected to the relevant transducer as shown in the table above.

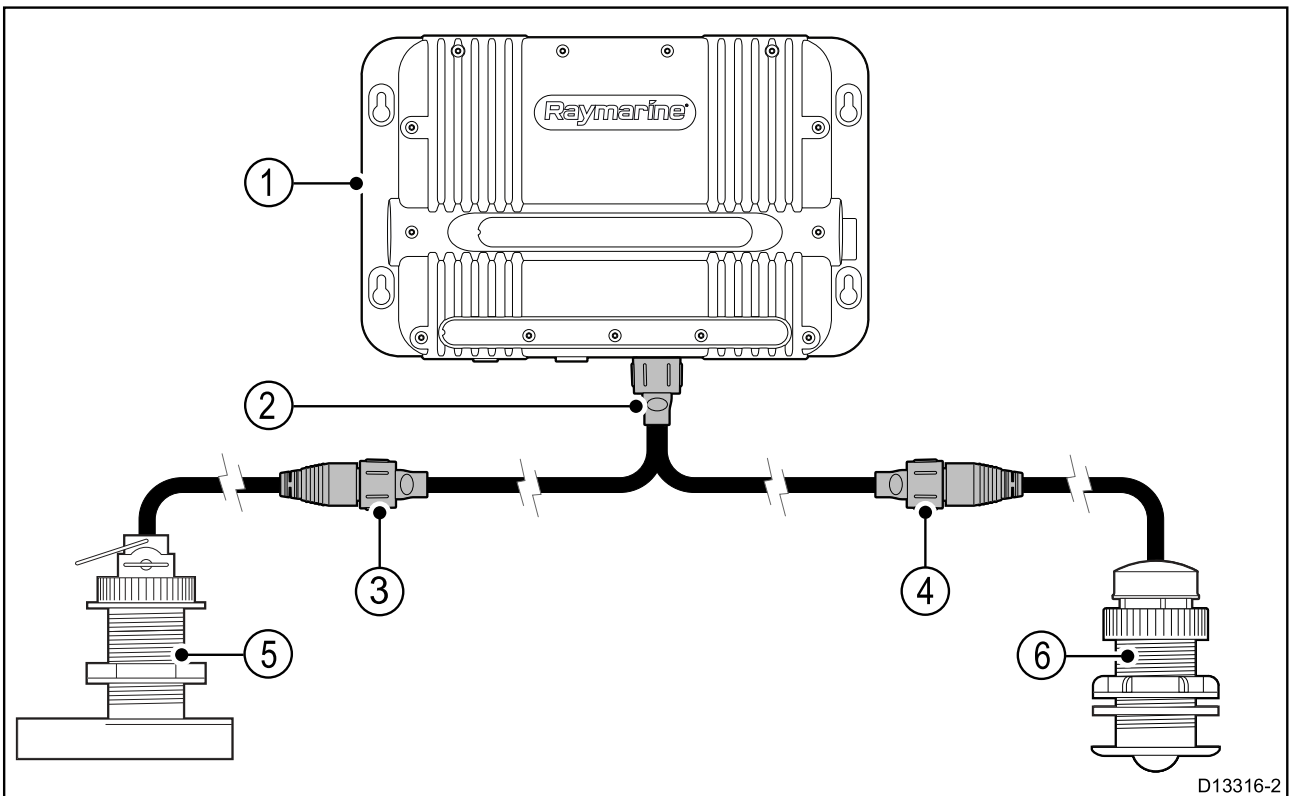
Single broadband (single element) transducer connections



D13315-2

Item	Description
1	CP470
2	Single B75/B175 operation cable (part number A80328)
3	Broadband transducer

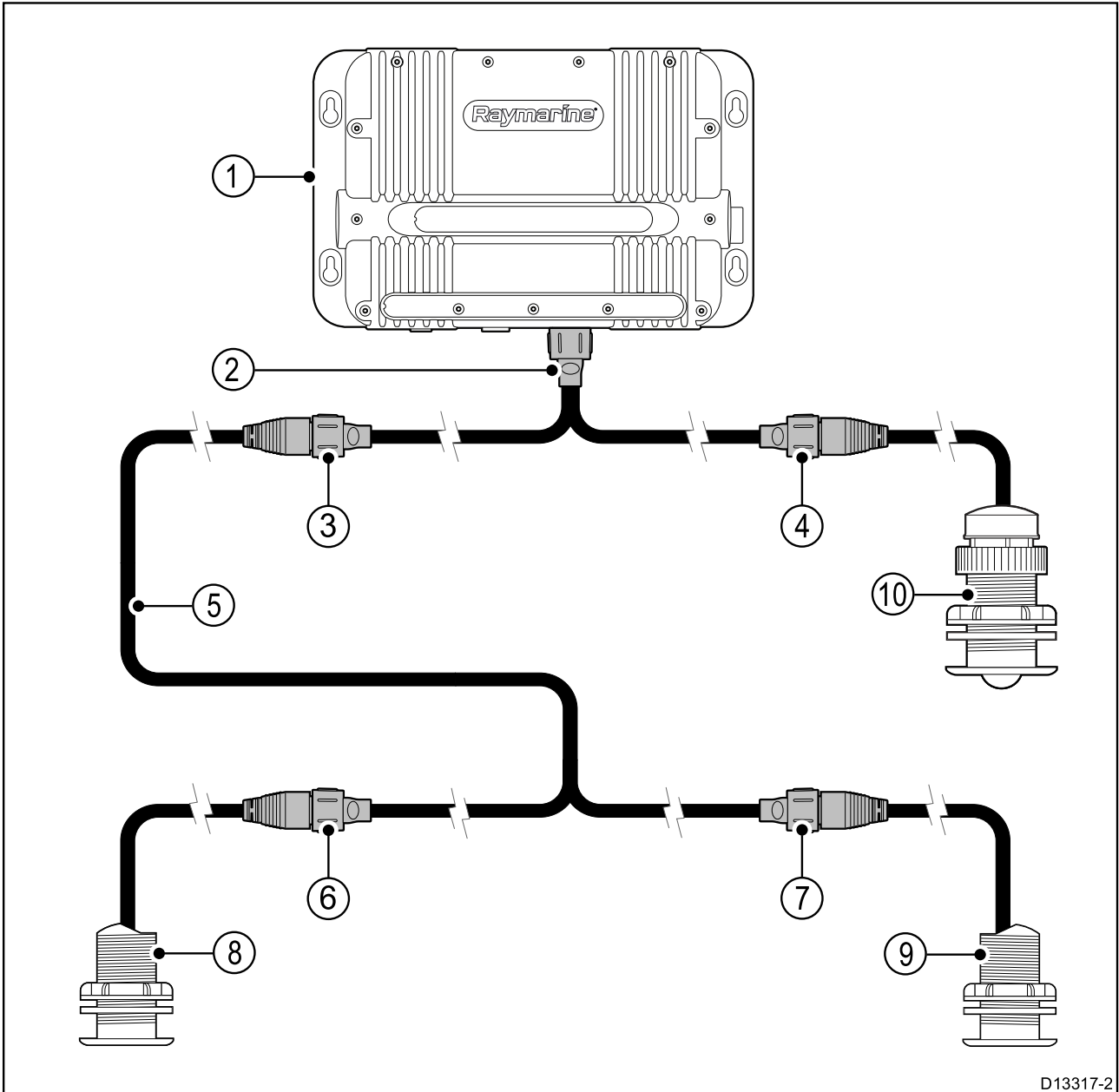
Dual transducer connections



D13316-2

Item	Description
1	CP470
2	Dual Speed and Temperature CHIRP transducer cable (part number A80345)
3	Cable to transducer connection
4	Cable to transducer connection
5	Broadband transducer
6	Speed and Temperature transducer

Dual broadband (single element) transducer connections (with Speed and Temperature transducer)



D13317-2

Item	Description
1	CP470
2	Dual Speed and Temperature CHIRP transducer cable (part number A80345)
3	Cable to Y-cable (A102146) connection
4	Cable to transducer connection
5	Paired CHIRP transducer Y-cable (part number A102146)

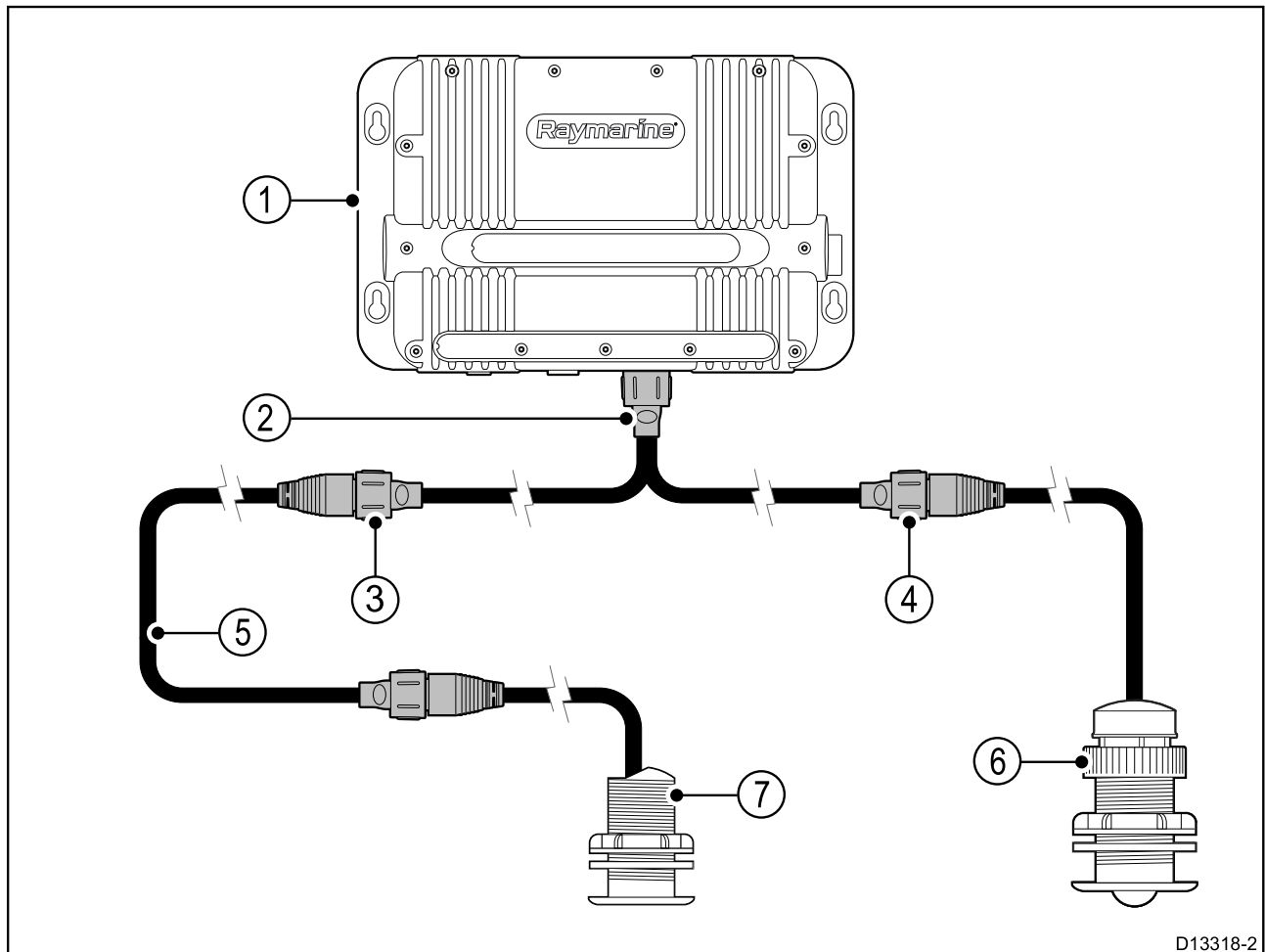
Item	Description
6	Channel B of combined cable
7	Channel A of combined cable
8	Broadband transducer
9	Broadband transducer
10	Speed and Temperature transducer

Transducer pair connections

Transducer Pair Frequencies	Cable Channel A	Cable Channel B
Low & High	Low frequency transducer	High frequency transducer
Low & Medium	Low frequency transducer	Medium frequency transducer
Medium & High	Medium frequency transducer	High frequency transducer

Note: When fitting transducer pairs ensure that channel A and channel B of the transducer cable are connected to the relevant transducer as shown in the table above.

Single broadband (single element) transducer connections (with Speed and Temperature transducer)



Item	Description
1	CP470
2	Dual Speed and Temperature CHIRP transducer cable (part number A80345)
3	Cable to cable (A80328) connection
4	Cable to transducer connection
5	Single B75/B175 operation cable (part number A80328)

Item	Description
6	Speed and Temperature transducer
7	Broadband transducer

Refer to the Raymarine website for a list of transducers that are compatible with your sonar module: www.raymarine.com/transducers.

For a list of transducer cables refer to [10.1 Spares and accessories](#).

Transducer cable extension

For some installations it may be necessary to extend the transducer cable.

- Refer to [Chapter 10 Spares and accessories](#) for a list of suitable transducer extension cables.
- Raymarine recommends a maximum of one cable extension for any single transducer cable.
- For best performance, keep all cable lengths to a minimum.

Cable extensions for Wide Beam transducers

All Wide Beam transducers are supplied with a fixed 2 m cable.

You must pair the fixed 2 m cable with an appropriate extension cable to connect the Wide Beam transducer to your CHIRP sonar module.

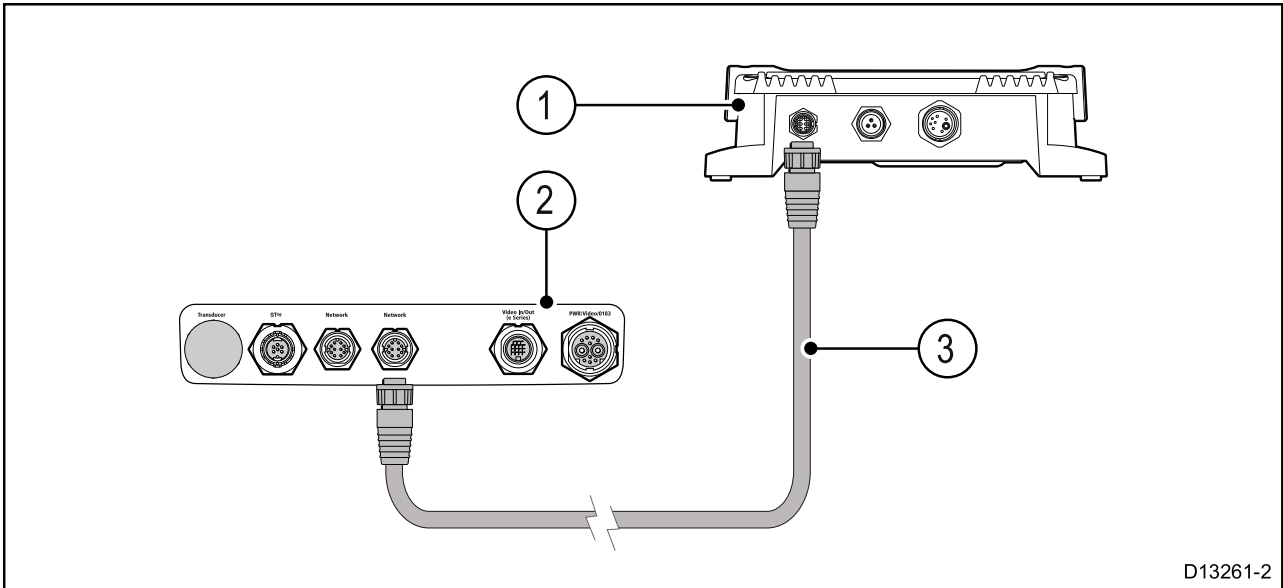
For paired Wide Beam transducer installations, extension cables must be placed between the Y-cable and the transducer.

4.5 Network connection

The unit must be connected to a compatible Raymarine multifunction display to enable echo sounder data to be viewed.

Multifunction display connection

Unit connected to a multifunction display using a RayNet cable.



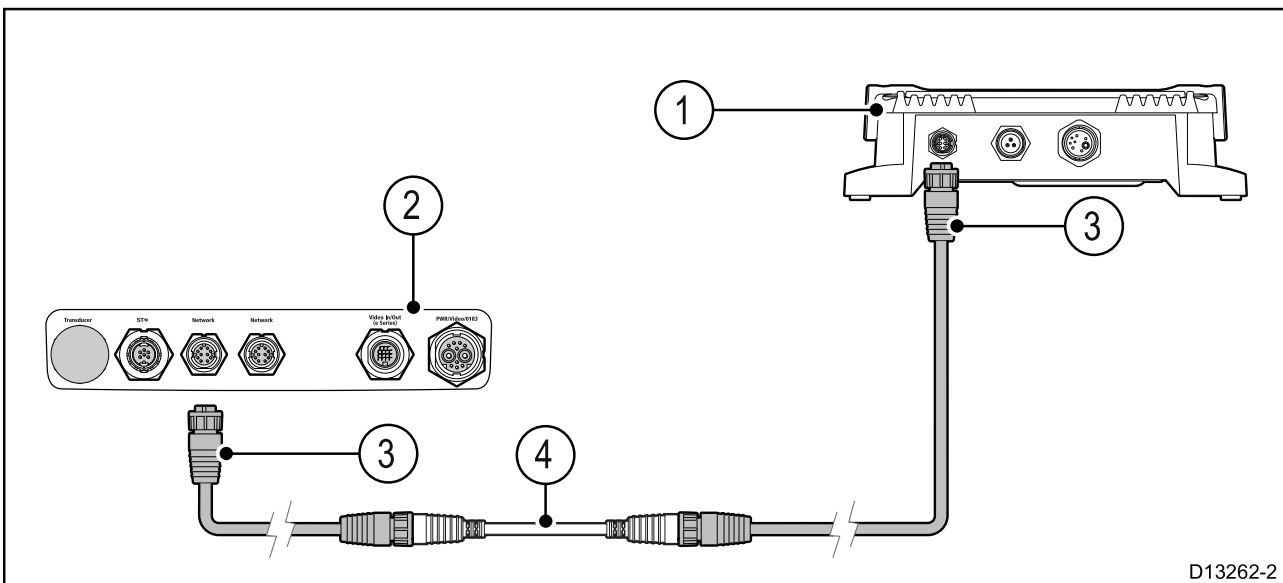
D13261-2

Note: The connection panel on your product may look slightly different to that shown, depending on variant. The network connection method remains the same for all products featuring RayNet connectors.

Item	Description
1	Sonar module (CP370 illustrated).
2	Connector panel for compatible Raymarine multifunction display.
3	RayNet cable.

Multifunction display configuration (extended cables)

When the required length of a single network cable run is greater than 20 m (65.6 ft), a RayNet (male) to (male) adaptor cable should be used to connect RayNet cables together.



D13262-2

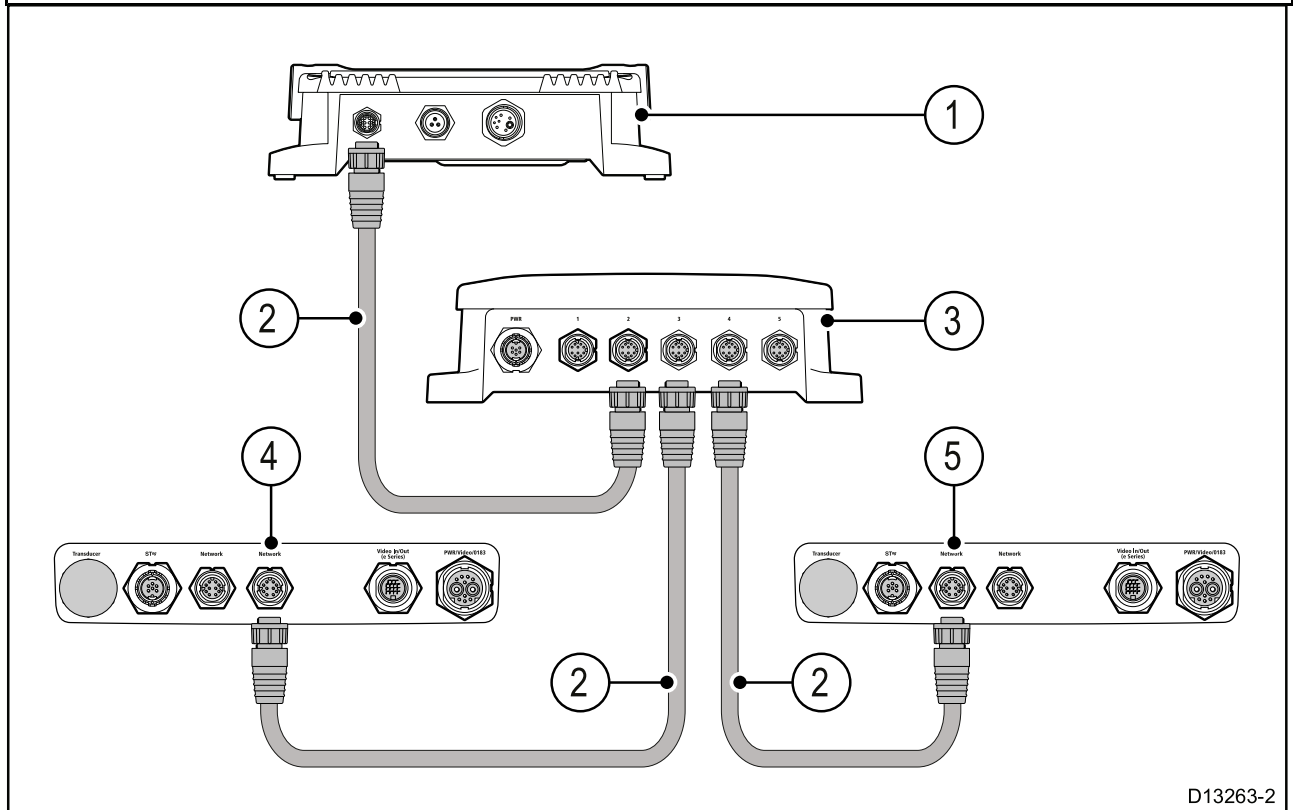
Note: The connection panel on your product may look slightly different to that shown, depending on variant. The network connection method remains the same for all products featuring RayNet connectors.

Item	Description
1	Sonar module (CP370 illustrated).
2	Connector panel for compatible Raymarine multifunction display.
3	RayNet cables.
4	RayNet (Male) to (Male) adaptor cable.

Multiple multifunction display configuration

A Raymarine network switch can be used to connect the unit to more than 1 multifunction display.

Note: Ensure network cables and connections are tight and secure using any cable ties provided with your network hardware.



Note: The connection panel on your product may look slightly different to that shown, depending on variant. The network connection method remains the same for all products featuring RayNet connectors.

Item	Description
1	Sonar module (CP370 illustrated).
2	RayNet cable.
3	RayNet network switch.
4	Connector panel for compatible Raymarine multifunction display.
5	Connector panel for additional compatible Raymarine multifunction display.

For details on available network hardware and cables refer to [Chapter 10 Spares and accessories](#).

Chapter 5: Mounting

Chapter contents

- [5.1 Mounting on page 66](#)

5.1 Mounting

Fixing screw suitability

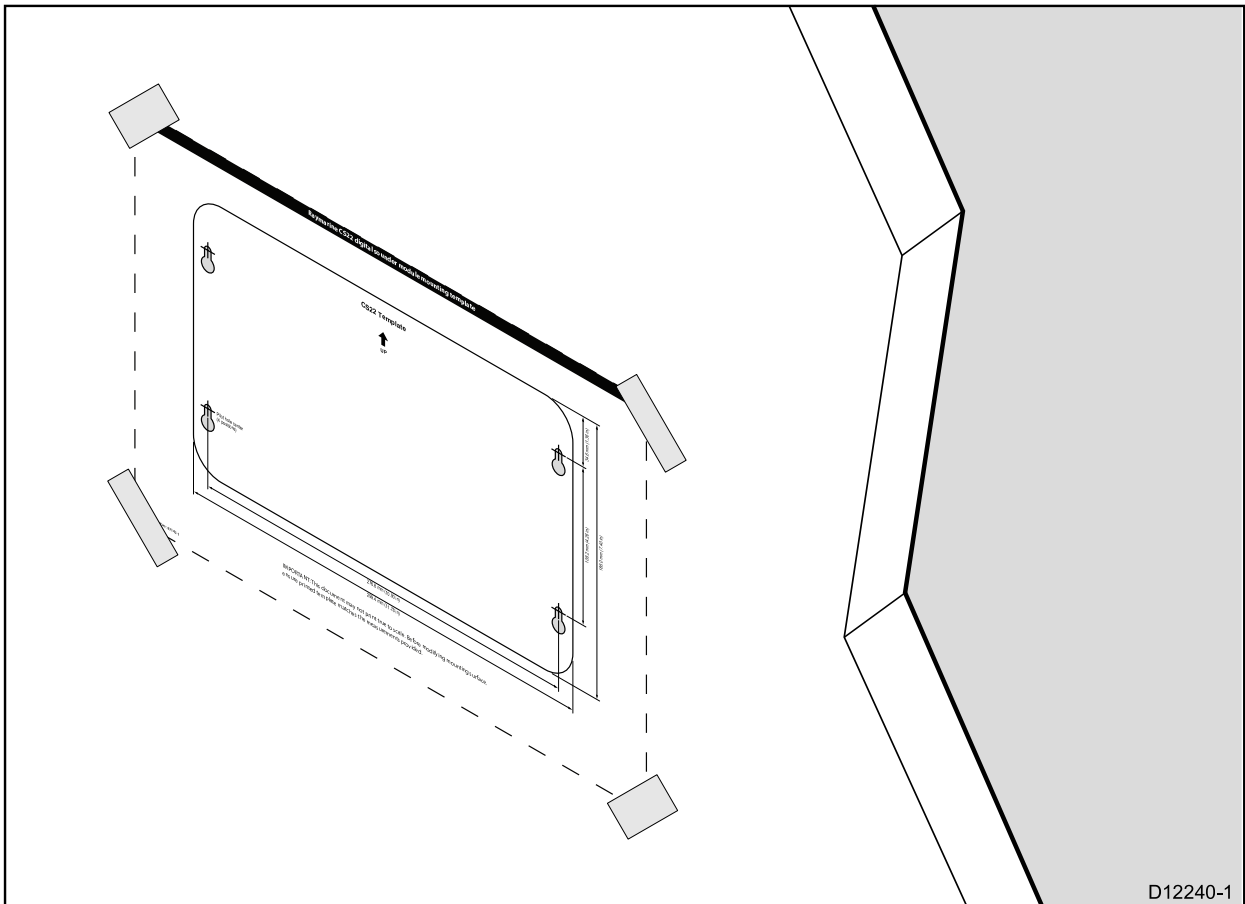
Important: The fixing screws supplied with your product may not be suitable for the mounting surface. Please check the security and integrity of the mounted product before finalizing your installation. If necessary, obtain replacement or additional mounting screws to ensure a secure installation.

Mounting the unit

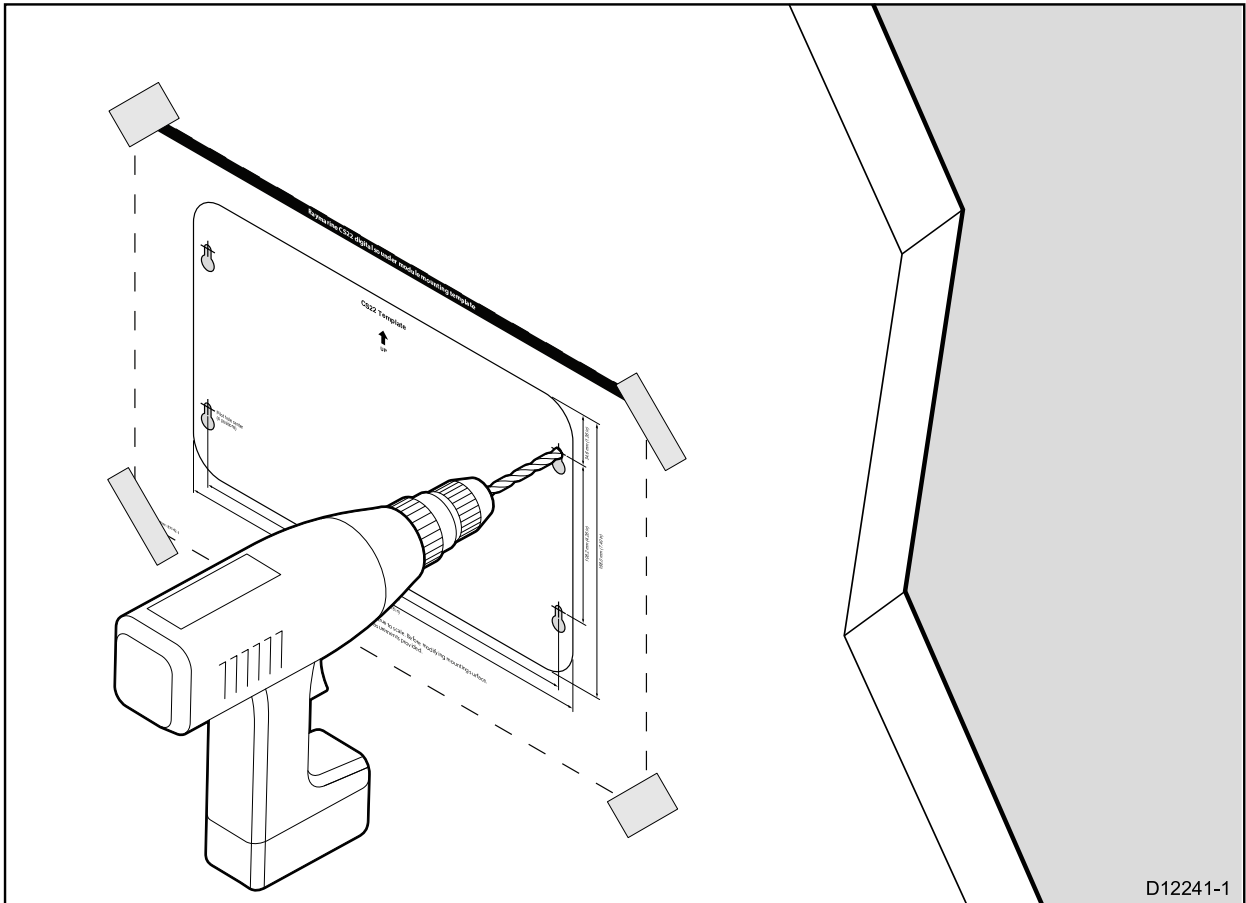
Having chosen a suitable location, install the unit as follows:

Note: Raymarine recommends mounting the unit vertically.

1. Secure the mounting template in the required location using adhesive tape.

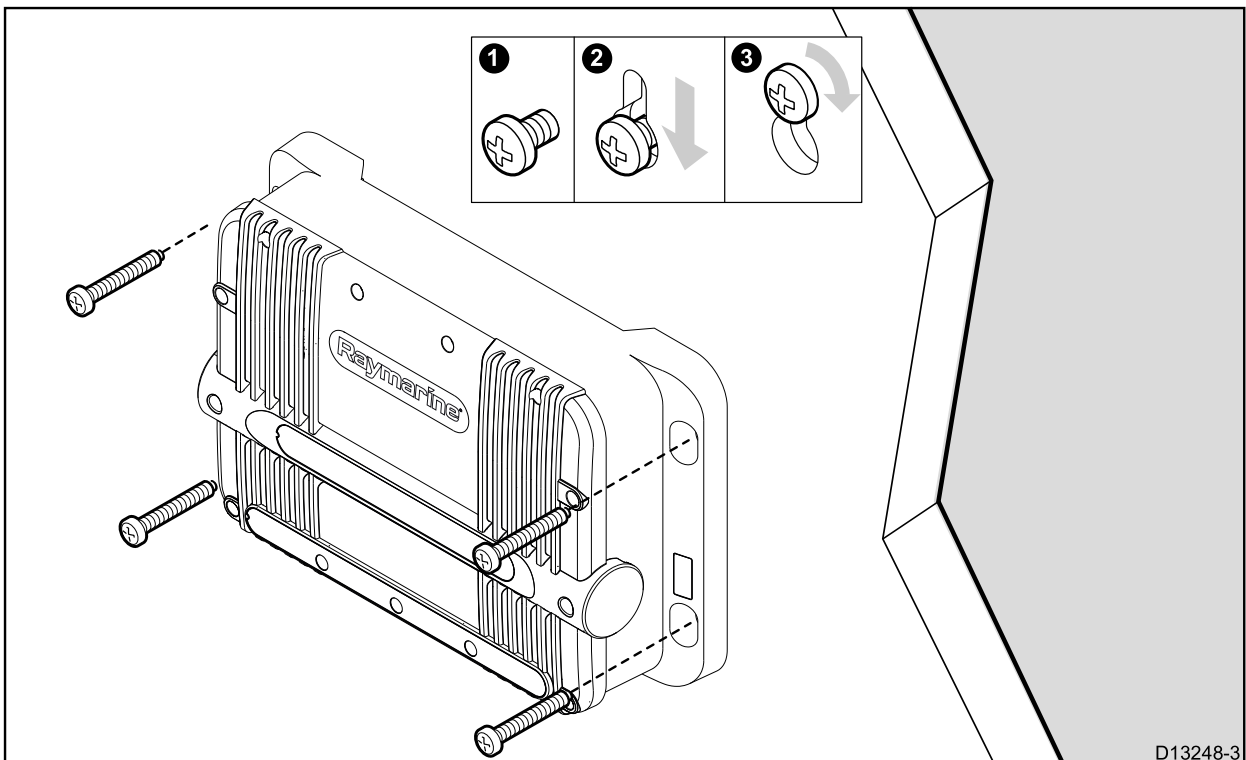


2. Drill 4 holes at the marked location on the template.



D12241-1

3. Remove the mounting template.
4. Screw in the fixing screws about half way into the holes.
5. Place the unit onto the fixing screws.
6. Push the unit down to engage the key slots in the unit.
7. Tighten the screws (CP370 illustrated).



D13248-3

Note: Drill bit, tap size and tightening torque is dependent on the thickness and type of material the unit is to be mounted on.

Chapter 6: System checks and troubleshooting

Chapter contents

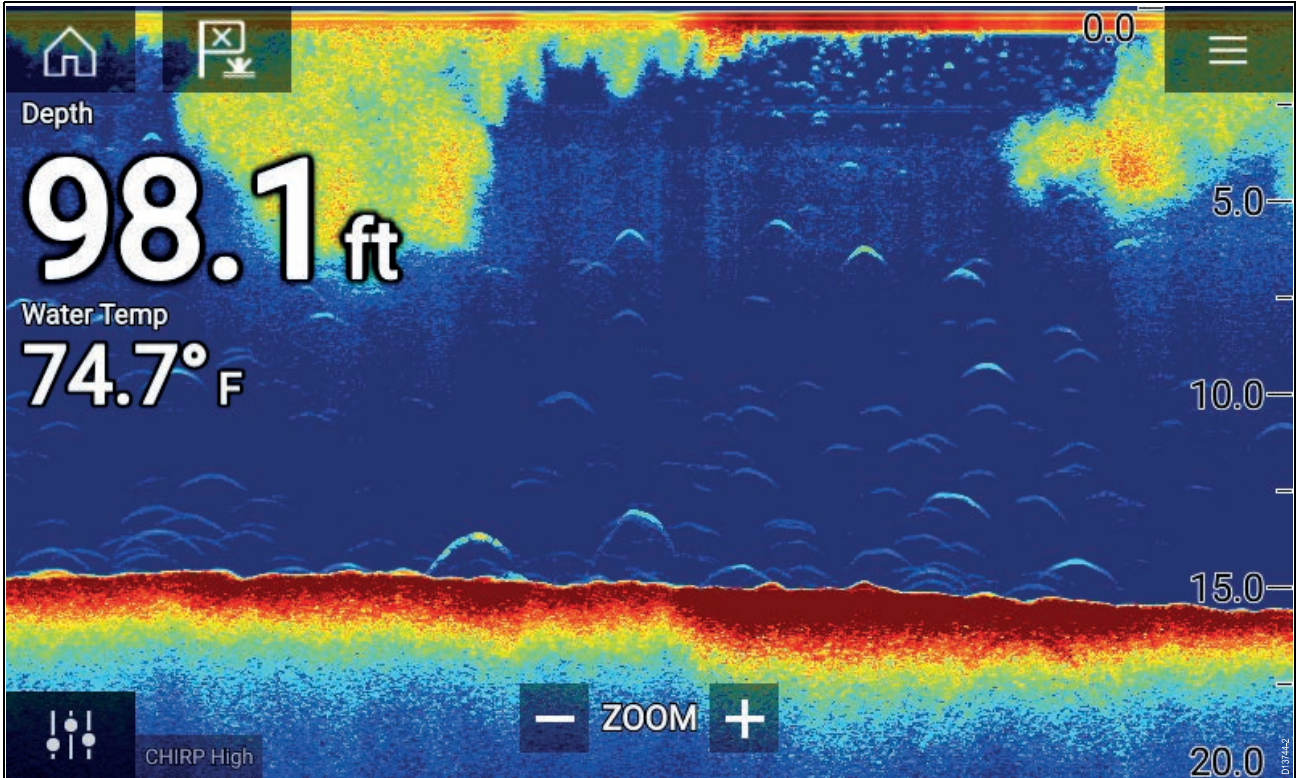
- 6.1 Initial power on test on page 70
- 6.2 Troubleshooting on page 71

6.1 Initial power on test

Once the unit has been correctly installed check that it is operating correctly.

After powering on, the unit will take approximately 25 seconds to start up. From powering on through to normal operation, the LED status indicator should be solid green, changing to blinking green when normal operation is underway. If the LED status indicator is not blinking green then refer to the troubleshooting section of this handbook.

Open the Fishfinder application on your connected multifunction display and ensure that it is operating correctly.



Operation instructions

For detailed operation instructions for your product, refer to the documentation that accompanies your display.

All product documentation is available to download from the Raymarine website: www.raymarine.com/manuals.

CP370 — Legacy multifunction display transducer set up

To set up the sonar module / transducer on an **E Classic**, **C-Series Widescreen**, **E-Series Widescreen** or **G-Series** the following steps must be followed:

1. Select the relevant transducer from the set-up menu.
2. Wait 10 seconds for the change to take effect

Selecting the transducer

From the main fishfinder screen:

1. Press the **MENU** button.
2. Select **Fishfinder Setup** from the list of options.
3. Select **Transducer Settings** from the list of menu options:
4. Use the **Select Transducer** option and select the appropriate transducer from those available.

Important: A transducer will be selected by default, if this is the same as the transducer you have installed then you must re-select it from the list in order for it to be made the active transducer.

6.2 Troubleshooting

The troubleshooting information provides possible causes and corrective action required for common problems associated with installation and operation of your product.

Before packing and shipping, all Raymarine products are subjected to comprehensive testing and quality assurance programs. If you do experience problems with your product this section will help you to diagnose and correct problems in order to restore normal operation.

If after referring to this section you are still having problems with your product, please refer to the Technical support section of this manual for useful links and Raymarine Product Support contact details.

Sonar troubleshooting

Scrolling image is not being displayed

Possible causes	Possible solutions
Sonar disabled	Enable Ping from the Sonar app's sounder tab: Menu > Settings > Sounder > Ping .
Incorrect transducer selected	Check that the correct transducer is selected in the Sonar app's Transducer tab: Menu > Settings > Transducer > Ping .
Damaged cables	<ol style="list-style-type: none"> 1. Check that the transducer cable connector is fully inserted and locked in position. 2. Check the power supply cable and connectors for signs of damage or corrosion, replace if necessary. 3. With the unit turned on, try flexing the cable near to the display connector to see if this causes the unit to re-boot/loose power, replace if necessary. 4. Check the vessel's battery voltage, the condition of the battery terminals and power supply cables, ensuring connections are secure, clean and free from corrosion, replace if necessary. 5. With the product under load, using a multi-meter, check for high voltage drop across all connectors/fuses etc (this can cause the Fishfinder applications to stop scrolling or the unit to reset/turn off), replace if necessary.
Damaged or fouled transducer	Check the condition of the transducer ensuring it is not damaged and is free from debris/fouling, clean or replace as necessary.
Wrong transducer fitted	Check product and transducer documentation and ensure that the transducer is compatible with your system.
External sonar module: SeaTalkhs / RayNet network problem.	<ul style="list-style-type: none"> • Check that the unit is correctly connected to the MFD or network switch. Check all connections ensuring connections are secure, clean and free from corrosion, replace if necessary.
External sonar module: Software mismatch between equipment may prevent communication.	Ensure all Raymarine products contain the latest available software, check the Raymarine website: www.raymarine.com/software for software compatibility.

No depth reading / lost bottom lock

Possible causes	Possible solutions
Transducer location	Check that the transducer has been installed in accordance with the instructions provided with the transducer.
Transducer angle	If the transducer angle is too great the beam can miss the bottom, adjust transducer angle and recheck.
Transducer kicked-up	If the transducer has a kick-up mechanism, check that it has not kicked up due to hitting an object.

Possible causes	Possible solutions
Power source insufficient	With the product under load, using a multi-meter, check the power supply voltage as close to the unit as possible to establish actual voltage when the current is flowing. (Check your product's Technical specification for power supply requirements.)
Damaged or fouled transducer	Check the condition of the transducer ensuring it is not damaged and is free from debris / fouling.
Damaged cables	<ol style="list-style-type: none"> 1. Check the unit's connector for broken or bent pins. 2. Check that the cable connector is fully inserted into the unit and that the locking collar is in the locked position. 3. Check the cable and connectors for signs of damage or corrosion, replace if necessary. 4. With the unit turned on, try flexing the power cable near to the display connector to see if this causes the unit to re-boot/loose power, replace if necessary. 5. Check the vessel's battery voltage, the condition of the battery terminals and power supply cables, ensuring connections are secure, clean and free from corrosion, replace if necessary. 6. With the product under load, using a multi-meter, check for high voltage drop across all connectors/fuses etc (this can cause the Fishfinder applications to stop scrolling or the unit to reset/turn off), replace if necessary.
Vessel speed too high	Slow vessel speed and recheck.
Bottom too shallow or too deep	The bottom depth may be outside of the transducers depth range, move vessel to shallower or deeper waters as relevant and recheck.

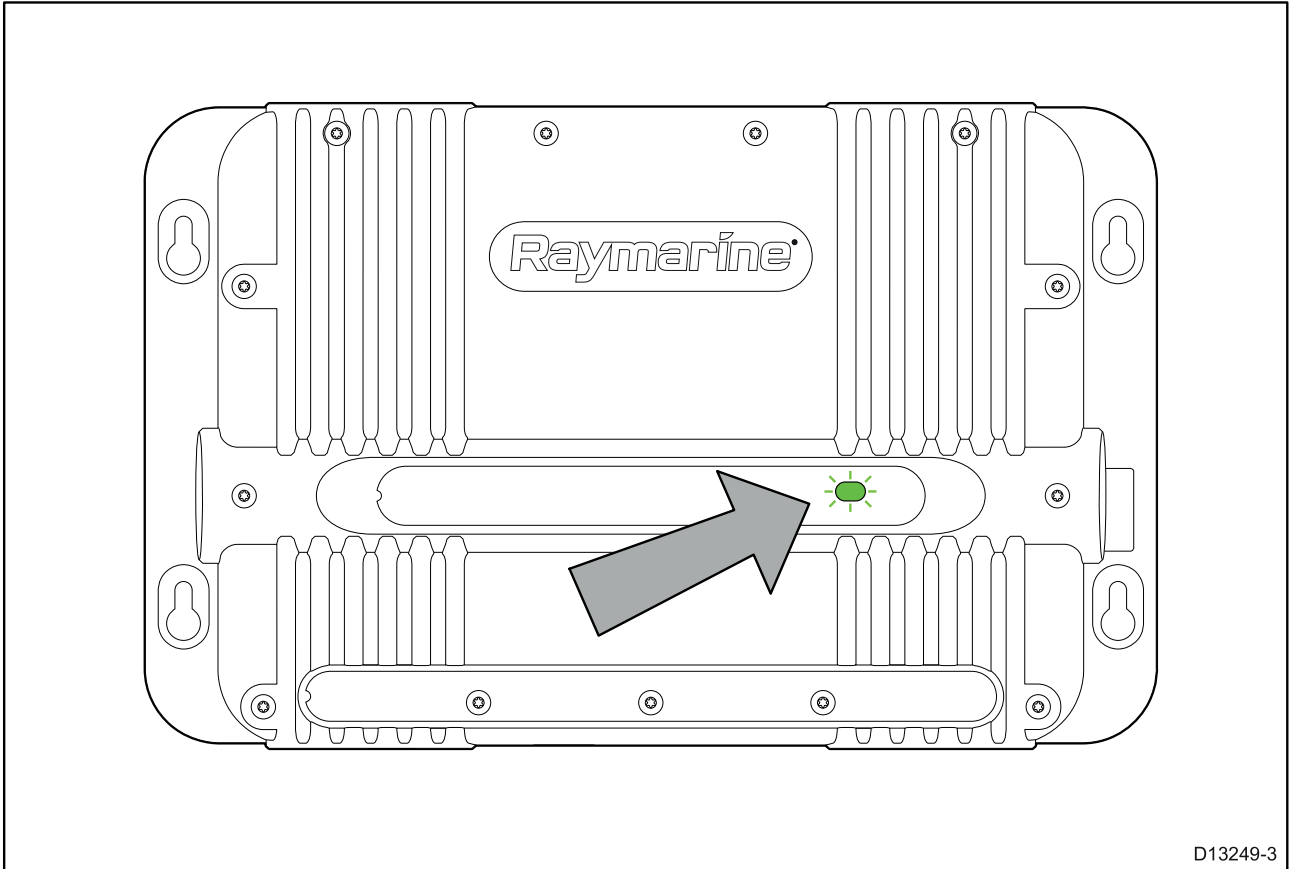
Poor / problematic image

Possible causes	Possible solutions
Targets will appear differently if your vessel is stationary (e.g.: fish will appear on the display as straight lines).	Increase vessel speed.
Scrolling paused or speed set too low	Unpause or increase sonar scrolling speed.
Sensitivity settings may be inappropriate for present conditions.	Check and adjust sensitivity settings or perform a Sonar reset.
Damaged cables	<ol style="list-style-type: none"> 1. Check the unit's connector for broken or bent pins. 2. Check that the cable connector is fully inserted into the unit and that the locking collar is in the locked position. 3. Check the cable and connectors for signs of damage or corrosion, replace if necessary. 4. With the unit turned on, try flexing the power cable near to the display connector to see if this causes the unit to re-boot/loose power, replace if necessary. 5. Check the vessel's battery voltage, the condition of the battery terminals and power supply cables, ensuring connections are secure, clean and free from corrosion, replace if necessary. 6. With the product under load, using a multi-meter, check for high voltage drop across all connectors/fuses etc (this

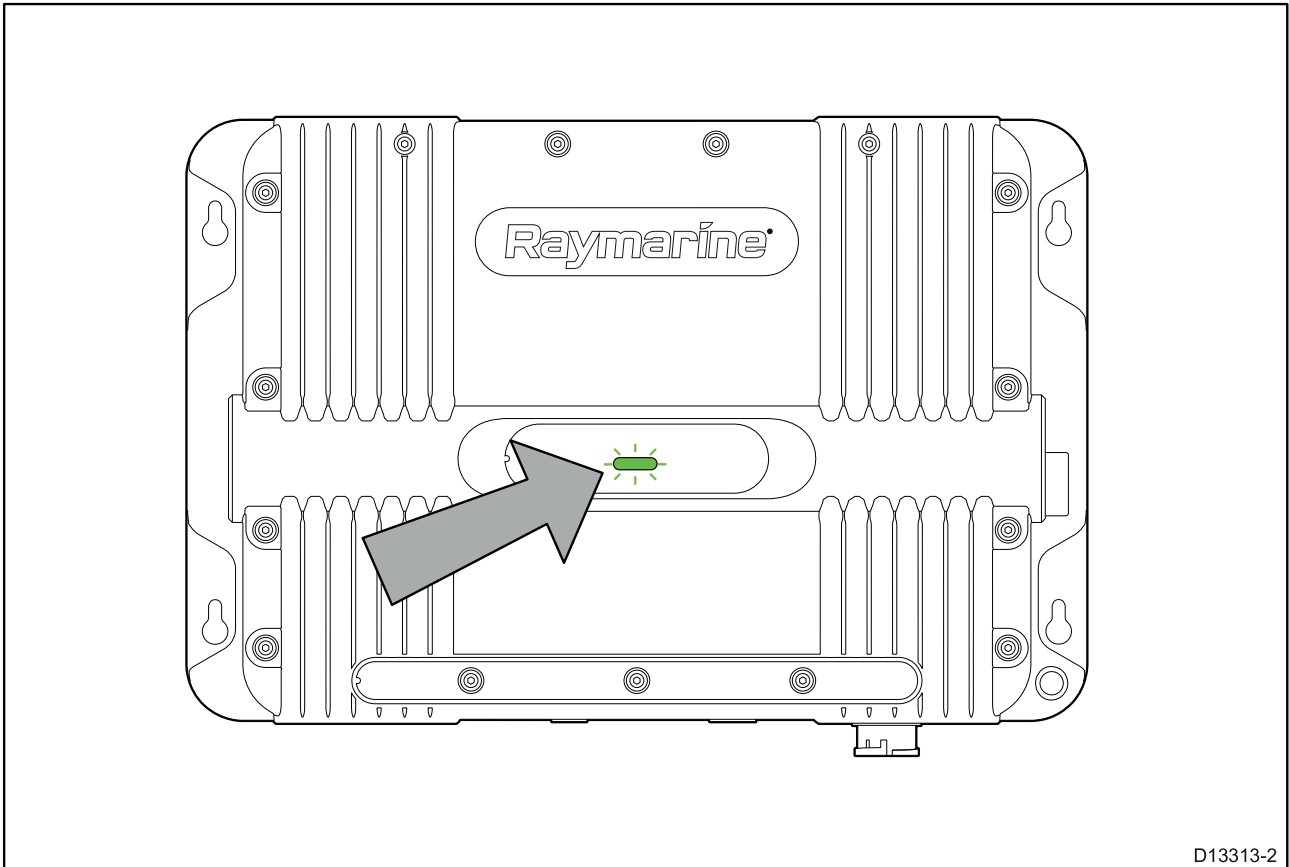
Possible causes	Possible solutions
	can cause the Fishfinder applications to stop scrolling or the unit to reset/turn off), replace if necessary.
Transducer location	<ul style="list-style-type: none"> • Check that the transducer has been installed in accordance with the instructions provided with the transducer. • If a transom mount transducer is mounted too high on the transom it may be lifting out of the water, check that the transducer face is fully submerged when planing and turning.
Transducer kicked-up	If the transducer has a kick-up mechanism, check that it has not kicked up due to hitting an object.
Damaged or fouled transducer	Check the condition of the transducer ensuring it is not damaged and is free from debris / fouling.
Damaged transducer cable	Check that the transducer cable and connection is free from damage and that the connections are secure and free from corrosion.
Turbulence around the transducer at higher speeds may affect transducer performance	Slow vessel speed and recheck.
Interference from another transducer	<ol style="list-style-type: none"> 1. Turn off the transducer causing the interference. 2. Reposition the transducers so they are farther apart.
Unit power supply fault	Check the voltage from the power supply, if this is too low it can affect the transmitting power of the unit.

LED Diagnostics

CP370 / CP470



CP570



















The LED on the front panel of the unit provides information on the status of the sonar module and notifies users of any problems within the unit. The LED blinks the following colors:











- **Green** — shows the unit is operating normally.

- **Amber** — warns of a problem in the unit.
- **Red** — shows that there is an error in the unit.

The number of times the LED blinks is a code which represents the errors or warnings as shown in the LED indication status table. If there are multiple warnings or errors, the codes are given in sequence with a 2 second pause between blink patterns.

LED indication status

LED color	LED code	Status	User action	
		Solid Green	Power On	<ul style="list-style-type: none"> • None (normal power up takes <1 minute.)
		Green 1 blink	Normal operation	<ul style="list-style-type: none"> • None
		Amber 1 blink	Transducer disconnected	<ul style="list-style-type: none"> • Ensure transducer cable and connections are secure and free from damage. • Power cycle unit to recover transducer information. • If problem persists contact Raymarine technical support.
		Amber 2 blinks	No network detected	<ul style="list-style-type: none"> • Ensure network is powered. • Ensure network cable and connections are secure and free from damage. • If problem persists contact Raymarine technical support.
		Amber 3 blinks	Unit overheating	<ul style="list-style-type: none"> • Ensure installation environment is within recommendations. • Unit will recover when temperature falls within specifications. • If problem persists contact Raymarine technical support.
		Amber 4 blinks	*Transducer overheating	<ul style="list-style-type: none"> • Ensure installation environment is within recommendations. • Unit will recover when temperature falls within specifications. • If problem persists contact Raymarine technical support.
		Amber 5 blinks	Under voltage (<10.2V)	<ul style="list-style-type: none"> • Ensure power cable and connections are secure and free from damage. • Ensure power supply cabling is consistent with recommendations. • If problem persists contact Raymarine technical support.
		Amber 6 blinks	Over voltage (>34.2V)	<ul style="list-style-type: none"> • Ensure power supply levels are consistent with recommendations. • If problem persists contact Raymarine technical support.

LED color	LED code	Status	User action
		Amber 7 blinks	*Problem reading transducer ID (XID) <ul style="list-style-type: none"> • Ensure transducer cable and connections are secure and free from damage. • Power cycle unit to recover transducer information. • If problem persists contact Raymarine technical support.
		Red 1 blink	General failure <ul style="list-style-type: none"> • If combined with voltage warning, check power supply and cables. • Power cycle unit to recover. • If problem persists contact Raymarine technical support.
		Red 2 blinks	Not Defined <ul style="list-style-type: none"> • If problem persists contact Raymarine technical support.
		Red 3 blinks	Ambient temperature too hot <ul style="list-style-type: none"> • Ensure installation environment is within recommendations. • Unit will recover when temperature falls within specifications. • If problem persists contact Raymarine technical support.
		Red 4 blinks	Problems with internal database <ul style="list-style-type: none"> • Power cycle unit to recover. • If problem persists contact Raymarine technical support.

Note: *Not applicable to CP370.

Note: During a software upgrade process the LED will be solid Green and change to blinking Green on successful completion.

Note: If any other LED sequence other than described above is seen and persists please contact Raymarine technical support.

Resetting the sonar (LightHouse 3)

The reset function restores the unit to its factory default values.

Note: Performing a factory reset will clear speed and temperature calibration settings and the depth offset.

1. Using a compatible Raymarine multifunction display, open the Sonar app.
2. Open the **Settings** page.
3. Select the **Sounder** tab.
4. Select **Reset sounder**.
5. Select **Yes** to confirm.

The unit will now be reset to factory default settings.

Resetting the sonar (LightHouse 2)

The reset function restores the unit to its factory default values.

Note: Performing a factory reset will clear speed and temperature calibration settings and the depth offset.

1. Using a compatible Raymarine multifunction display go to the Sonar application page.
2. Select **Menu** from the side menu.
3. Select **Set-up**.
4. Select **Sounder Set-up**.
5. Select **Sonar reset**.
6. Select **Yes** to confirm.

The unit will now be reset to factory default settings.

Operation instructions

For detailed operation instructions for your product, refer to the documentation that accompanies your display.

All product documentation is available to download from the Raymarine website:
www.raymarine.com/manuals.

Chapter 7: Maintenance

Chapter contents

- 7.1 Routine checks on page 80
- 7.2 Unit cleaning instructions on page 81

7.1 Routine checks

The following periodic checks should be made:

- Examine cables for signs of damage, such as chafing, cuts or nicks.
- Check that the cable connectors are firmly attached and that their locking mechanisms are properly engaged.

Note: Cable checks should be carried out with the power supply switched off.



Warning: High voltage

This product contains high voltage. Adjustments require specialized service procedures and tools only available to qualified service technicians. There are no user serviceable parts or adjustments. The operator should never remove the cover or attempt to service the product.

7.2 Unit cleaning instructions

The unit does not require regular cleaning. However, if you find it necessary to clean the unit, please follow the steps below:

1. Ensure power is switched off.
2. Wipe unit clean with a damp cloth.
3. If necessary, use a mild detergent solution to remove grease marks.

Transducer cleaning

Growth can collect on the bottom of the transducer, this can reduce performance. To prevent the build up of sea growth, coat the transducer with a thin layer of water based antifouling paint, available from your local marine dealer. Reapply paint every 6 months or at the beginning of each boating season. Certain smart transducers have restrictions on where antifouling paint is applied. Please consult your dealer.

Note: Transducers with a temperature sensor may not work properly if painted.

Note: Never use ketone based paint. Ketones can attack many plastics possibly damaging the sensor.

Note: Never use spray paint on your transducer. Spraying incorporates tiny air bubbles, and a marine transducer cannot transmit properly through air.

Use a soft cloth and mild household detergent to clean the transducer. If the fouling is severe, remove the growth with a green scotch brite™ pad. Be careful to avoid scratching the transducers face.

If your transducer has a paddlewheel you can wet sand with fine grade wet/dry paper.

Note: Harsh cleaning solvents such as acetone may damage the transducer.

Chapter 8: Technical support

Chapter contents

- [8.1 Raymarine product support and servicing on page 84](#)

8.1 Raymarine product support and servicing

Raymarine provides a comprehensive product support service, as well as warranty, service, and repairs. You can access these services through the Raymarine website, telephone, and e-mail.

Product information

If you need to request service or support, please have the following information to hand:

- Product name.
- Product identity.
- Serial number.
- Software application version.
- System diagrams.

You can obtain this product information using the menus within your product.

Servicing and warranty

Raymarine offers dedicated service departments for warranty, service, and repairs.

Don't forget to visit the Raymarine website to register your product for extended warranty benefits:

<http://www.raymarine.co.uk/display/?id=788>.

Region	Contact
United Kingdom (UK), EMEA, and Asia Pacific	<ul style="list-style-type: none">• E-Mail: emea.service@raymarine.com• Tel: +44 (0)1329 246 932
United States (US)	<ul style="list-style-type: none">• E-Mail: rm-usrepair@flir.com• Tel: +1 (603) 324 7900

Web support

Please visit the "Support" area of the Raymarine website for:

- **Manuals and Documents** — <http://www.raymarine.com/manuals>
- **FAQ / Knowledgebase** — <http://www.raymarine.com/knowledgebase>
- **Technical support forum** — <http://forum.raymarine.com>
- **Software updates** — <http://www.raymarine.com/software>

Worldwide support

Region	Contact
United Kingdom (UK), EMEA, and Asia Pacific	<ul style="list-style-type: none">• E-Mail: support.uk@raymarine.com• Tel: +44 (0)1329 246 777
United States (US)	<ul style="list-style-type: none">• E-Mail: support@raymarine.com• Tel: +1 (603) 324 7900 (Toll-free: +800 539 5539)
Australia and New Zealand (Raymarine subsidiary)	<ul style="list-style-type: none">• E-Mail: aus.support@raymarine.com• Tel: +61 2 8977 0300
France (Raymarine subsidiary)	<ul style="list-style-type: none">• E-Mail: support.fr@raymarine.com• Tel: +33 (0)1 46 49 72 30
Germany (Raymarine subsidiary)	<ul style="list-style-type: none">• E-Mail: support.de@raymarine.com• Tel: +49 (0)40 237 808 0
Italy (Raymarine subsidiary)	<ul style="list-style-type: none">• E-Mail: support.it@raymarine.com• Tel: +39 02 9945 1001
Spain (Authorized Raymarine distributor)	<ul style="list-style-type: none">• E-Mail: sat@azimut.es• Tel: +34 96 2965 102
Netherlands (Raymarine subsidiary)	<ul style="list-style-type: none">• E-Mail: support.nl@raymarine.com• Tel: +31 (0)26 3614 905

Region	Contact
Sweden (Raymarine subsidiary)	<ul style="list-style-type: none"> E-Mail: support.se@raymarine.com Tel: +46 (0)317 633 670
Finland (Raymarine subsidiary)	<ul style="list-style-type: none"> E-Mail: support.fi@raymarine.com Tel: +358 (0)207 619 937
Norway (Raymarine subsidiary)	<ul style="list-style-type: none"> E-Mail: support.no@raymarine.com Tel: +47 692 64 600
Denmark (Raymarine subsidiary)	<ul style="list-style-type: none"> E-Mail: support.dk@raymarine.com Tel: +45 437 164 64
Russia (Authorized Raymarine distributor)	<ul style="list-style-type: none"> E-Mail: info@mikstmarine.ru Tel: +7 495 788 0508

Operation instructions

For detailed operation instructions for your product, refer to the documentation that accompanies your display.

All product documentation is available to download from the Raymarine website:
www.raymarine.com/manuals.

Viewing product information (LightHouse™ 2)

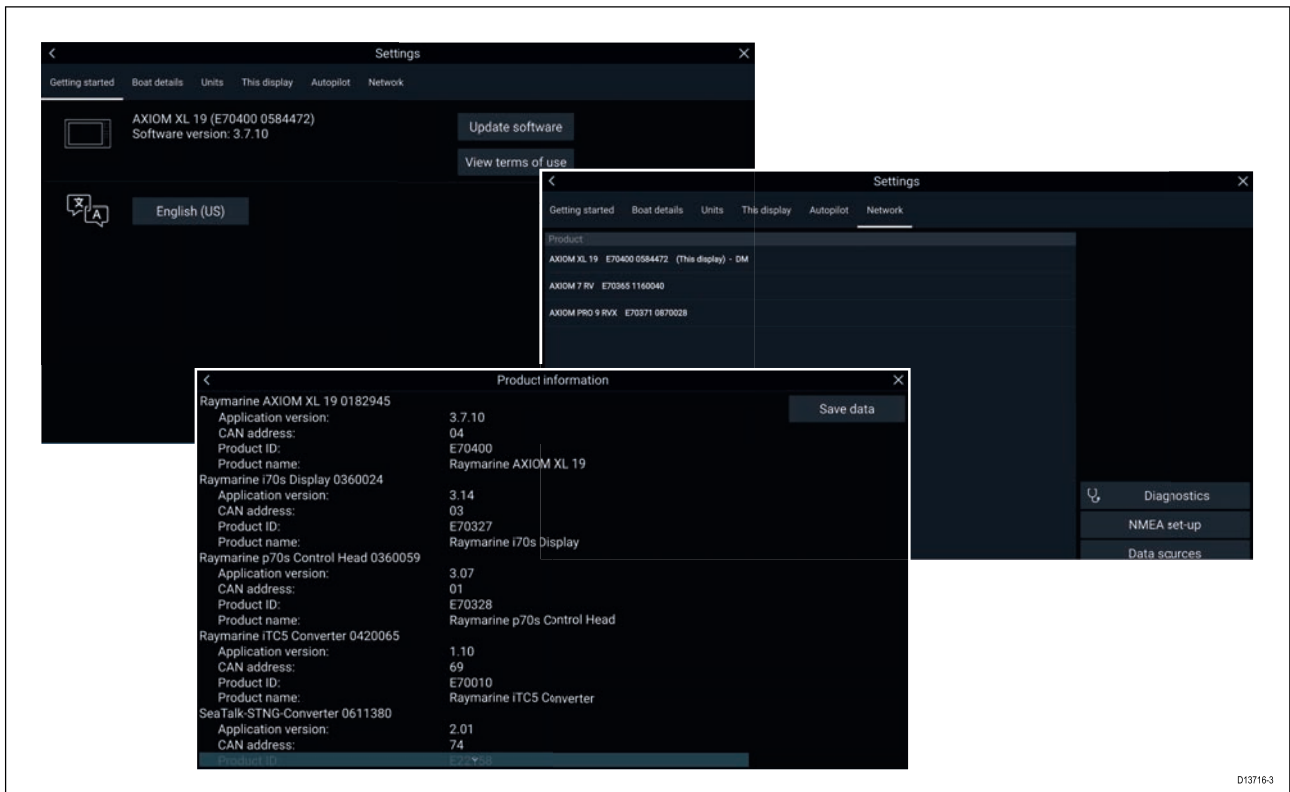
You can view information about your unit from the **Diagnostics** menu on a compatible multifunction display. This option displays information such as product serial number and software version.

With the Homescreen displayed:

1. Select **Set-up**.
2. Select **Maintenance**.
3. Select **Diagnostics**.
4. Select the **Select Device** option.
A list of connected devices is displayed.
5. Select the product for which you want to view information. Alternatively, select **Show All Data** to display information for all connected products.

Viewing product information (LightHouse™ 3)

Use the **Settings** menu to view hardware and software information about your MFD, and connected products.



D13716-3

1. Select **Settings**, from the Homescreen.
The **Getting started** tab contains hardware and software information for your MFD.
2. You can view further information about your MFD, or view information about products networked using SeaTalkhs® and SeaTalkng® / NMEA 2000, by selecting the **Network** tab, then:
 - i. to display detailed software information and your MFD's network IP address, select your MFD from the list.
 - ii. to display detailed diagnostics information for all products, select **Product info** from the **Diagnostics** pop over menu.

Chapter 9: Technical specification

Chapter contents

- [9.1 CP370 Technical specification on page 88](#)
- [9.2 CP470 Technical specification on page 89](#)
- [9.3 CP570 Technical specification on page 90](#)

9.1 CP370 Technical specification

Physical specification

Dimensions	<ul style="list-style-type: none">• Width: 299.4 mm (11.79 in).• Height: 205.6 mm (8.1 in).• Height (including connectors): 285.6 mm (11.2 in).• Depth: 84.4 mm (3.3 in).
Weight	1.435 kg (3.16 lbs)

Power specification

Nominal supply voltage	12 V / 24 V dc
Operating voltage range	10.8 V to 31.2 V dc
Power consumption	30.6 W (Maximum)
Current	3 A RMS
Fuse / breakers	5 A

Environmental specification

Operating temperature	-10°C (14°F) to +55°C (131°F)
Storage temperature	-30°C (22°F) to +70°C (158°F)
Relative humidity	95%
Waterproof rating	IPX6

Sonar specification

Frequency	50 kHz and 200 kHz
Power output	Up to 1 KW RMS
Depth	0.9 m (3 ft) to 1524 m (5,000 ft) (In optimum conditions and depending on transducer connected)
Transducer	Transom-mount, in-hull, thru-hull
Connections	<ul style="list-style-type: none">• 1 x Power connection• 1 x network connection (RayNet connector) 10 / 100 Mb/s• 1 x Transducer connection

Conformance specification

Conformance	<ul style="list-style-type: none">• EN 60945:2002• EMC Directive 2014/30/EU• Australia and New Zealand: C-Tick, Compliance Level 2
--------------------	--

9.2 CP470 Technical specification

Physical specification

Dimensions	<ul style="list-style-type: none">• Width: 299.4 mm (11.79 in).• Height: 205.6 mm (8.1 in).• Height (including connectors): 285.6 mm (11.2 in).• Depth: 84.4 mm (3.3 in).
Weight	1.539 kg (3.39 lbs)

Power specification

Nominal supply voltage	12 V / 24 V dc
Operating voltage range	10.8 V to 31.2 V dc
Power consumption	30.6 W (Maximum)
Current	3 A RMS
Fuse / breakers	5 A

Environmental specification

Operating temperature	-20°C (-4°F) to +50°C (122°F)
Storage temperature	-30°C (22°F) to +70°C (158°F)
Relative humidity	95%
Waterproof rating	IPX6

CHIRP Sonar specification

Frequency	25kHz to 255kHz
Power output	Up to 2 KW (maximum)
Depth	0.6 m (2 ft) to 3,000 m (10,000 ft) (Dependant upon connected transducer)
Transducer	Transom-mount, in-hull, thru-hull
Connections	<ul style="list-style-type: none">• 1 x Power connection• 1 x network connection (RayNet connector) 10 / 100 Mb/s• 1 x Transducer connection• 1 x additional grounding point

Conformance specification

Conformance	<ul style="list-style-type: none">• EN 60945:2002• EMC Directive 2014/30/EU• Australia and New Zealand: C-Tick, Compliance Level 2
--------------------	--

9.3 CP570 Technical specification

Physical specification

Dimensions	<ul style="list-style-type: none"> • Width: 352.5 mm (13.9 in). • Height: 248.1 mm (9.8 in). • Height (including connectors): 328.1 mm (12.9 in). • Depth: 109.9 mm (4.3 in).
Weight	6.35 kg (14.0 lbs)

Power specification

Nominal supply voltage	12 V / 24 V dc
Operating voltage range	10.8 V to 31.2 V dc
Power consumption	30.6 W (Maximum)
Current	3 A RMS
Fuse / breakers	5 A

Environmental specification

Operating temperature	-20°C (-4°F) to +50°C (122°F)
Storage temperature	-30°C (22°F) to +70°C (158°F)
Relative humidity	95%
Waterproof rating	IPX6

CHIRP Sonar specification

Frequency	25kHz to 255kHz
Power output	Up to 2 KW per channel (maximum) (total 4 KW)
Depth	0.6 m (2 ft) (to 3000 m (10,000 ft) (Dependant upon connected transducer)
Transducer	Transom-mount, in-hull, thru-hull
Connections	<ul style="list-style-type: none"> • 1 x Power connection • 1 x network connection (RayNet connector) 10 / 100 Mb/s • 1 x Transducer connection

Conformance specification

Conformance	<ul style="list-style-type: none"> • EN 60945:2002 • EMC Directive 2014/30/EU • Australia and New Zealand: C-Tick, Compliance Level 2
--------------------	--

Chapter 10: Spares and accessories

Chapter contents

- 10.1 Spares and accessories on page 92
- 10.2 Network hardware on page 93
- 10.3 Network cable connector types on page 94
- 10.4 RayNet to RayNet cables and connectors on page 95
- 10.5 RayNet to RJ45 adapter cables on page 96
- 10.6 RJ45 SeaTalk^{hs} network and patch cables on page 97

10.1 Spares and accessories

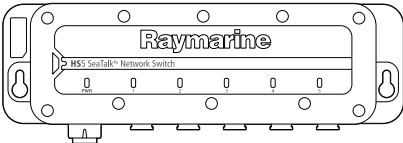
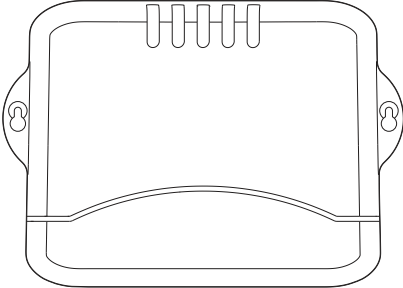
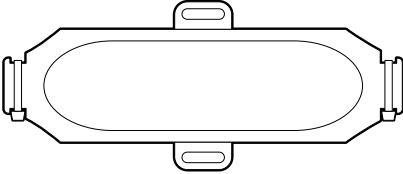
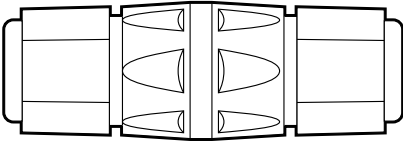
The following accessories and spare parts are available:

Item	Sonar module	Part number
1.5 m (5 ft) power cable	CP370, CP470, CP570	A80025
3 m (10 ft) CHIRP transducer extension cable	CP470, CP570	A102148
5 m (16.4 ft) traditional transducer extension cable	CP370	E66010
5 m (16.4 ft) CHIRP transducer extension cable	CP470, CP570	A102150
10 m (32.8 ft) CHIRP transducer extension cable	CP470, CP570	A80327
Note: For use with Wide Beam transducers only.		
Dual Speed and Temperature traditional transducer cable	CP370	E66022
Dual Speed and Temperature CHIRP transducer cable	CP470, CP570	A80345
Single B75/B175 operation cable	CP470, CP570	A80328
Paired CHIRP transducer Y-cable	CP470, CP570	A102146

Compatible transducers

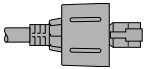
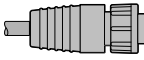
Refer to the Raymarine website for a list of transducers that are compatible with your sonar module: www.raymarine.com/transducers.

10.2 Network hardware

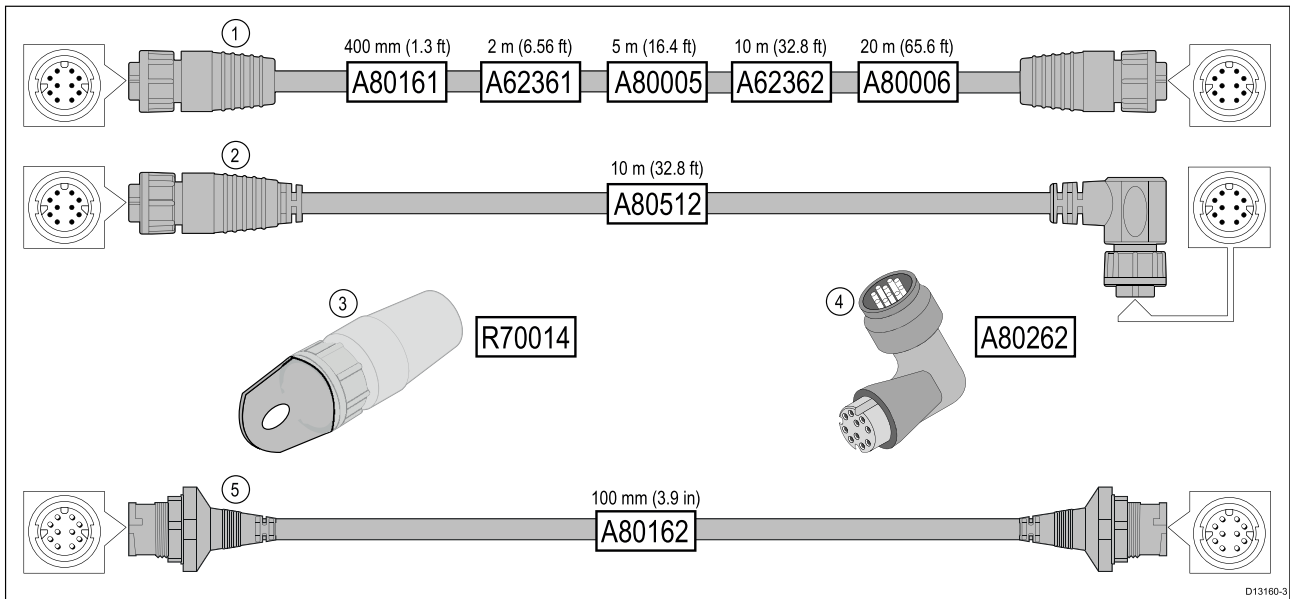
Item	Part number	Notes
<p>HS5 RayNet network switch</p> 	A80007	<p>5–port switch for network connection of multiple devices featuring RayNet connectors. Equipment with RJ45 SeaTalk^{hs} connectors can also be connected using suitable adapter cables.</p>
<p>RJ45 SeaTalk^{hs} network switch</p> 	E55058	<p>8–port switch for network connection of multiple SeaTalk^{hs} devices featuring RJ45 connectors.</p>
<p>RJ45 SeaTalk^{hs} crossover coupler</p> 	E55060	<ul style="list-style-type: none"> • Enables direct connection of RJ45 SeaTalk^{hs} devices to smaller systems where a switch is not required. • Enables the connection of RJ45 SeaTalk^{hs} devices to a HS5 RayNet network switch (in conjunction with suitable adapter cables). • Enables 2 RJ45 SeaTalk^{hs} cables to be connected together to extend the length of the cabling. <p>Recommended for internal installations.</p> <div style="border: 1px solid black; padding: 5px;"> <p>Important: Do NOT use crossover devices for POE (Power Over Ethernet) connections.</p> </div>
<p>Ethernet RJ45 coupler</p> 	R32142	<ul style="list-style-type: none"> • Enables direct connection of RJ45 SeaTalk^{hs} devices to smaller systems where a switch is not required. • Enables the connection of RJ45 SeaTalk^{hs} devices to a HS5 RayNet network switch (in conjunction with suitable adapter cables). • Enables 2 RJ45 SeaTalk^{hs} cables to be connected together to extend the length of the cabling. <p>Recommended for external installations.</p>

10.3 Network cable connector types

There are 2 types of network cable connector — RayNet, and RJ45 SeaTalk^{hs}.

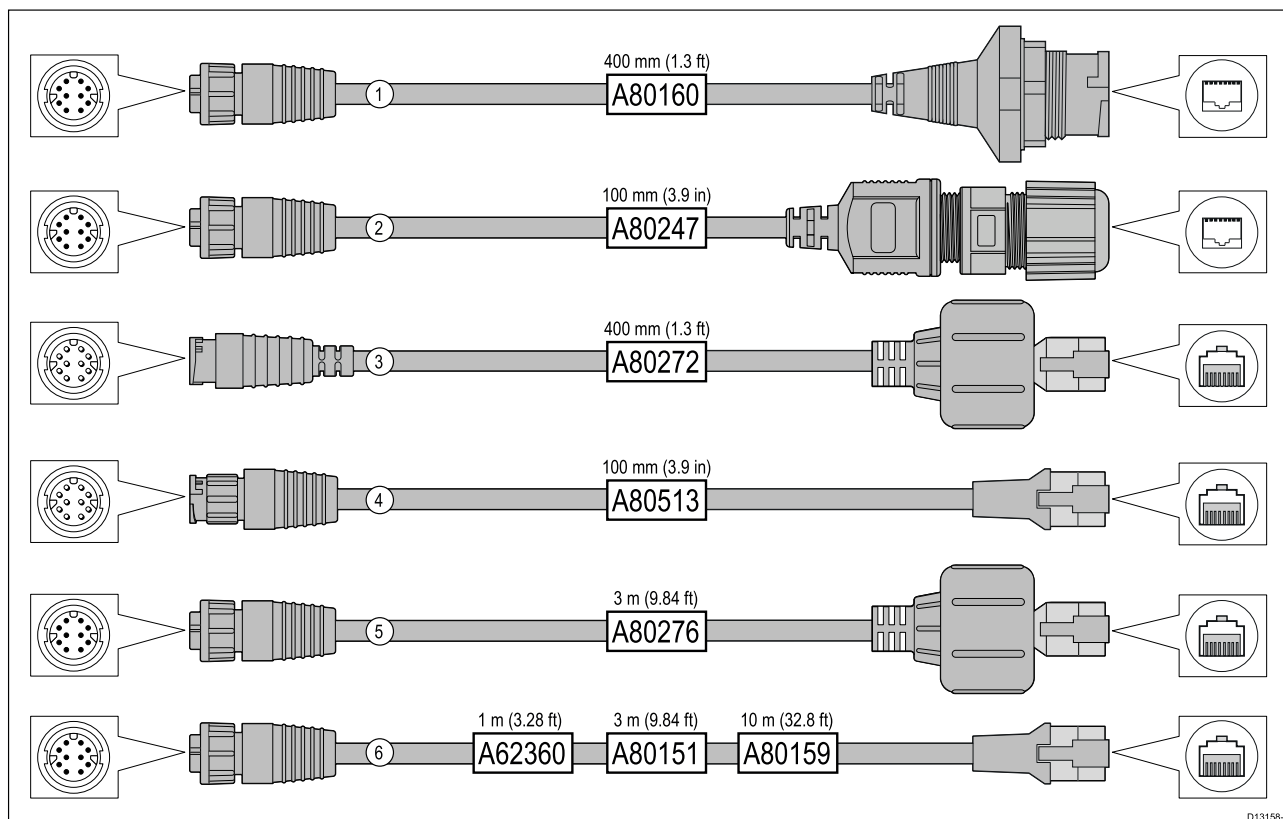
	RJ45 SeaTalk^{hs} connector.
	RayNet connector.

10.4 RayNet to RayNet cables and connectors



	Description
1	Standard RayNet connection cable with a RayNet (female) socket on both ends.
2	Right-angle RayNet connection cable with a straight RayNet (female) socket on one end, and a right-angle RayNet (female) socket on the other. Suitable for connecting at 90° (right angle) to a device, for installations where space is limited.
3	RayNet cable puller (5 pack).
4	RayNet to RayNet right-angle coupler / adapter. Suitable for connecting RayNet cables at 90° (right angle) to devices, for installations where space is limited.
5	Adapter cable with a RayNet (male) plug on both ends. Suitable for joining (female) RayNet cables together for longer cable runs.

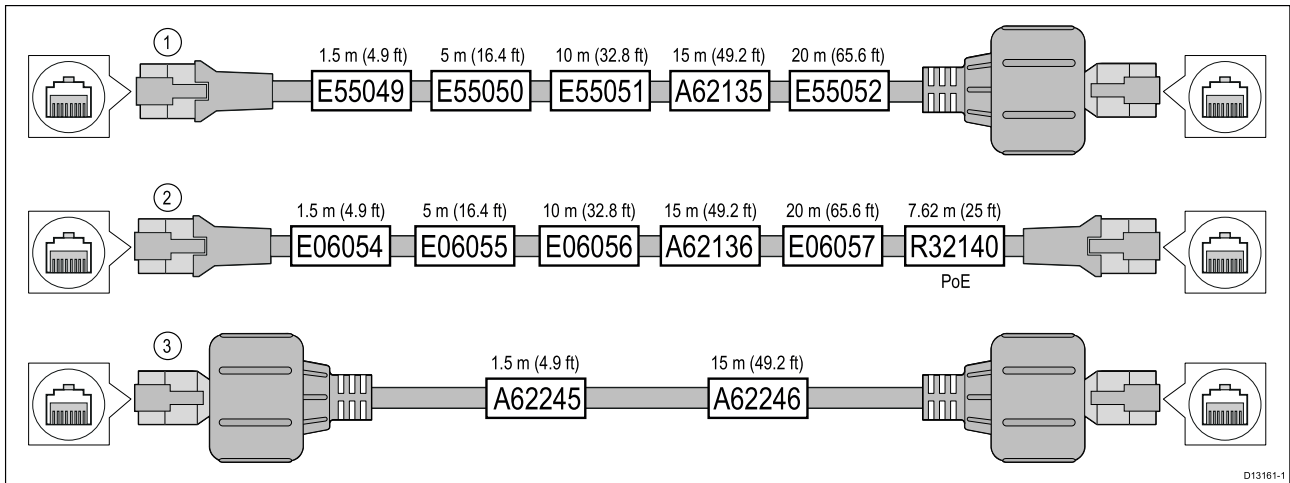
10.5 RayNet to RJ45 adapter cables



D13158-3

	Description
1	Adapter cable with a RayNet (female) socket on one end, and a waterproof (female) socket on the other end accepting the following cables with an RJ45 SeaTalk^{hs} waterproof locking (male) plug: <ul style="list-style-type: none"> • A62245 (1.5 m). • A62246 (15 m).
2	Adapter cable with a RayNet (female) socket on one end, and a waterproof (female) RJ45 socket on the other end, along with a locking gland for a watertight fit.
3	Adapter cable with a RayNet (male) plug on one end, and an RJ45 SeaTalk^{hs} waterproof (male) plug on the other end.
4	Adapter cable with a RayNet (male) plug on one end, and an RJ45 SeaTalk^{hs} (male) plug on the other end.
5	Adapter cable with a RayNet (female) socket on one end, and an RJ45 SeaTalk^{hs} waterproof (male) plug on the other end.
6	Adapter cable with a RayNet (female) socket on one end, and an RJ45 SeaTalk^{hs} (male) socket on the other end.

10.6 RJ45 SeaTalk^{hs} network and patch cables



	Description
1	RJ45 SeaTalk^{hs} network cables have an RJ45 SeaTalk^{hs} (male) plug on one end, and a waterproof RJ45 SeaTalk^{hs} (male) plug with locking collar on the other end.
2	RJ45 SeaTalk^{hs} patch cables have an RJ45 SeaTalk^{hs} (male) plug on each end.
3	RJ45 SeaTalk^{hs} patch cables have an RJ45 SeaTalk^{hs} (male) plug on each end. Each plug features a locking collar for a fully waterproof connection.

Index

A

Accessories

Network adapter cables	96
Network cables	95
Network hardware	93
RayNet cables	95

C

Cable bend radius	44
Cable protection	44–45
Cable routing	44
Cleaning	81
Compass safe distance	11, 39
Connections	
Battery	49
Distribution panel	50
Contact details	84

D

Declaration of Conformity	11
Diagnostics	86
Documentation	
Operation instructions	12, 30, 70, 77, 85

E

Electromagnetic Compatibility	10
EMC, <i>See</i> Electromagnetic Compatibility	

I

Installation

Best practice	52
Checklist	28
Mounting	66
Schematic diagram	28
Interference	11, 39
<i>See also</i> Compass safe distance	
IP address	86

L

LightHouse

Supported versions	30
--------------------------	----

M

Maintenance	10
-------------------	----

O

Operation instructions	12, 30, 70, 77, 85
------------------------------	--------------------

P

Power

Battery connection	49
Distribution	49
Distribution panel	50
Grounding	51
Sharing a breaker	50
Power cable extension	51
Product information	86
Product recycling (WEEE)	11
Product support	84

R

RayNet

cables	95–96
--------------	-------

S

Securing cables	44
Service Center	84
Servicing	10
Software updates	31
Strain relief, <i>See</i> Cable protection	

T

Technical specification	87
Technical support	84
Tools	33
Transducers, compatibility	32, 92
Troubleshooting	71

U

Upgrading, *See* Software updates

W

Warranty	84
WEEE Directive	11



Raymarine

Marine House, Cartwright Drive, Fareham, Hampshire.
PO15 5RJ. United Kingdom.

Tel: +44 (0)1329 246 700

www.raymarine.com

Raymarine®

a brand by  **FLIR®**