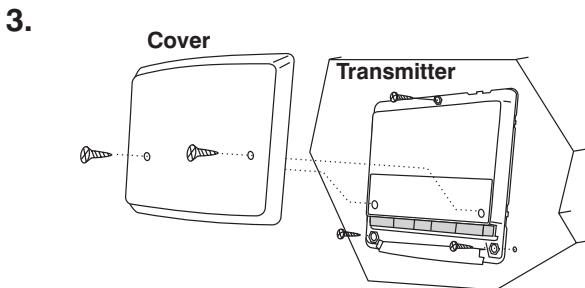
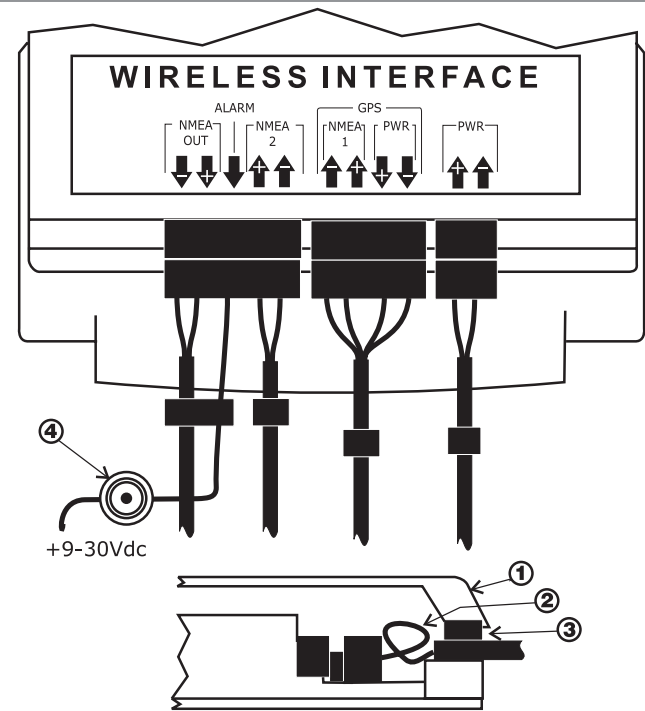
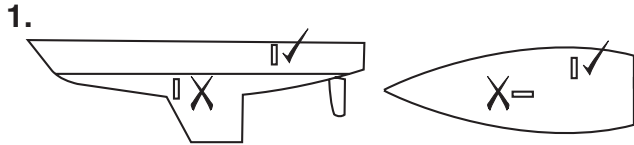


Raymarine®

A FLIR COMPANY

www.raymarine.com



UU046-r ev13

Wireless Interface

Tools Required

2.5mm Drill Bit
Power Drill
Cross Head Screwdriver

Parts Supplied

Mounting Template
Mounting Screws (3)
Terminal Screwdriver
Double Sided Tape

1. Precautions/Positioning Advise

Mount the Wireless Interface in a dry area of the boat to protect the cables and connectors from corrosion.
Avoid mounting on metallic surfaces or where there are metallic objects between the Interface Box and other Micronet instruments.
For optimum signal avoid mounting the transmitter on a longitudinal surface

2. Installation Method

For optimum performance and long term operation it is advisable to connect to the vessels 12/24Vdc supply.
Connect the cable ends to the supplied connectors using the supplied screwdriver ensuring that all core colours are positioned correctly. Sheath the screens to prevent short circuit problems once the cover is in place.
Insert the connectors into the appropriate sockets on the Wireless Interface and loop the single cores to allow the outer cable sheath to be secured in the clamp when the cover is fitted.
Secure the cables close to the Wireless Interface to reduce the possibility of the connections becoming loose later.

3. Surface Mounting

Position the supplied Template carefully before starting noting that the template should be inverted for Transmitters.
1. Drill three 2.5mm holes marked "B" on the Template
2. Remove the cover of the Transmitter from the main body.
3. Attach the Transmitter to the mounting surface using the three selftapping screws provided. Take care not to over tighten the screws as this may cause the moulding to crack.
4. Connect and secure the cables as shown overleaf.
5. Fit cover carefully securing the cables under the clamp bar.

NMEA Sentences (0183 V2.30)

Received Sentences: DBT, DPT, GLL, HDG, HDM, MTW, MWV, RMB, RMC, VHW, VLW, VWR.

Transmitted Sentences: DPT, GLL, HDG, MTW, MWVR, MWVT, RMB, RMC, VHW, VLW, VWR.

Note: Only information available will be transmitted.

① Cover ② Cable Loop ③ Cable Clamp

④ Alarm to suit supply voltage