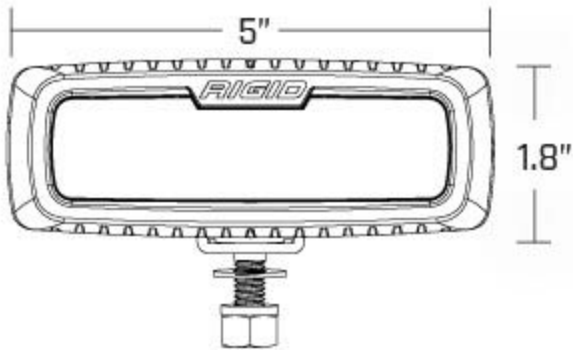


SURFACE MOUNT



FLUSH MOUNT

