

# RITCHIE® NAVIGATION

2015

Catalog of Precision Crafted Compasses



*Navigation Begins With the Right Compass*

*Visit us at [www.ritchienavigation.com](http://www.ritchienavigation.com)*

# MAN CAN'T SURVIVE

*The best of both worlds...*

## *GPS and Ritchie – Working Together*

One way to achieve optimal performance and safety with your Ritchie compass is by using your electronic and magnetic navigation data together. By doing this, you get the best of both worlds. Your GPS informs you of your boat's position and calculates the speed and direction in which your boat has been traveling, while your compass tells you your real-time heading. Wind, current and boat speed can all create a discrepancy between what your GPS says and what's really happening.

*And that's where a Ritchie compass comes in.*



*For more information or to download Ritchie's Complete Guide to Compass Navigation, visit:*

**[www.ritchienavigation.com](http://www.ritchienavigation.com)**

# BY GPS ALONE



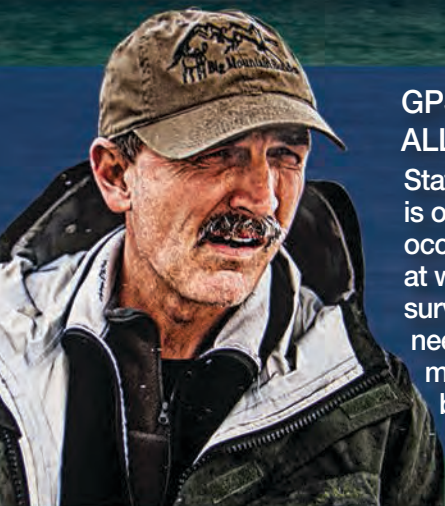
## GPS FAILURE REQUIRES DEAD RECKONING

There's no land in sight. Not for weeks. And if your electronics cut out at any time, you'd better be ready to do some serious dead reckoning. That means paper charts, a pencil, and a magnetic compass.



## GPS CAN COST YOU GAS

Running a deepwater fishing charter is a business. And fuel costs can kill profits. By locking on a heading with a compass, customers get to where the fish are as fast and efficiently as possible. It's not just a safety decision. It's a business decision.



## GPS WON'T WORK UNDER ALL CONDITIONS

Statistically, commercial fishing is one of the most dangerous occupations in the world. A day at work can become a battle for survival. Your navigation system needs to be anchored by a magnetic compass. It's the bottom line of safety for crew and craft.



# RITCHIE®

***Navigation begins with the right compass.***

## ***We're Committed To Quality***

*Since 1850, Ritchie has been making only one thing – compasses. Which means every ounce of our time and energy goes into precision-crafting the highest quality product available. When you've invested so much in your boat, that kind of commitment makes all the difference.*

### ***Table of Contents***

Why you need a Ritchie.....	pgs 2,3
Anatomy of a Compass.....	pg 5
Compass Selection, Installation & Positioning .....	pg 6
Compass Dial Designs .....	pg 6
Balancing Compass Dials .....	pg 7
Wheelmark Compasses.....	pgs 8, 9,10
SuperSport™ Compasses.....	pgs 11,12
Wind Indicators & Wetnotes .....	pg 13
Kayak Compasses and Accessories .....	pgs 14, 15
Small Sailboat Compasses .....	pg 15
Fishing Boat Compasses.....	pg 16
RitchieSport® Compasses.....	pg 17
Ritchie Trek™ Compasses.....	pgs 18,19
Explorer™ Compasses.....	pgs 19, 20, 21
Voyager® Compasses.....	pgs 22, 23
Helmsman™ Compasses .....	pgs 24, 25
Venture® Compass .....	pg 25
Navigator™ Compasses .....	pgs 26, 27
Globemaster® Compasses.....	pgs 28,29,30
Skylight Binnacles for Globemaster® .....	pgs 31
Super Yacht Compasses .....	pg 32
Steel and Commercial Boat Compasses .....	pgs 33, 34
Globemaster® Shock Mount Compasses.....	pg 35
Navy Standard Compasses .....	pg 36
Authorized Service Locations .....	pgs 37, 38, 39

# Accuracy from the inside out.

When properly sized, installed and compensated a marine compass is the most important instrument on any boat. It will provide accurate, trouble-free heading references under the most adverse conditions without relying on electricity, radio signals or satellite communications. The most important criteria when selecting a compass are dial size and mounting style. Quality components aid accuracy, smooth response, stability and trouble-free operation. Although the size and shape of Ritchie Compass models may vary, this cutaway engineering illustration is representative of the modern technology that makes Ritchie Compasses the World's Best Marine Compasses.

## 1 Compass Dome

The dome provides clear and accurate magnification of the dial. Our domes are made exclusively for Ritchie using a heavy-duty, optically clear polymer.

## 2 Compass Bowls & Housings

Bowls and housings are made from brass, or high-strength glass reinforced polymers.

## 3 Gimbal Systems

All Ritchie Compasses are engineered to operate normally within their environment without bottoming out due to the pitch and roll or heel of the boat. An internal gimbaling system is most often applied to provide this important function. This illustration shows the bi-axis gimbal system used in many Ritchie models. This dial assembly is suspended by Gimbal Rings and Pans formed from ultra lightweight aluminum and held in place with spring loaded brass pins. A Brass Counter Balance keeps the entire system level.

## 4 Fluid Baffle & Roller Diaphragm

Baffles reduce turbulence in the dampening fluid. Diaphragms allow the fluid to expand or contract with changes in temperature or pressure without forming bubbles.

## 5 Corrector Magnets

Deviation occurs when something on board your boat draws the compass magnets away from their attraction to the earth's magnetic field; i.e. masses of iron, engines, electric motors, electronics with speaker magnets, batteries, electronic instruments, tachometers with magnets, engine controls, steering wheels and electric appliances.

All Ritchie compasses that are intended for use on boats that could have deviation problems, have built-in compensators. These compensators are non-interactive magnets that are balanced and optimally spaced for accurate correction. Compensation instructions are included.

## A Ritchie Dials

Dial measurements are given in the apparent visual size. Models are available in sizes from 2" (5.08cm) to 6" (15.24cm) in diameter. In many models you can select either a Traditional Flat Card or Direct Reading Dial. The CombiDial™, which is both a flat card and direct reading dial in one, is also available in several Voyager, Helmsman and Navigator models.

## B Powerdamp® Performance

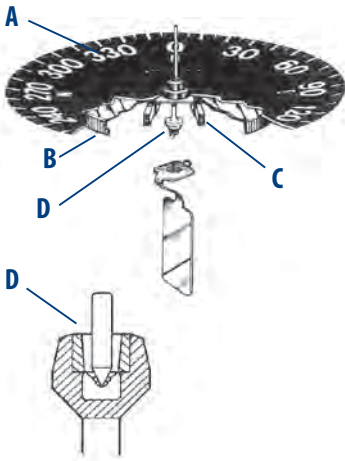
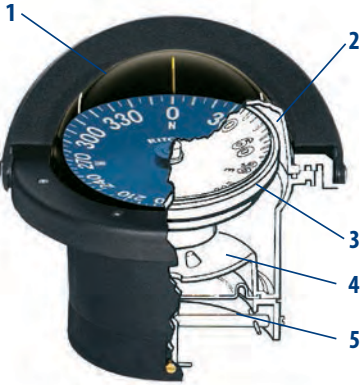
Each dial is engineered to provide the ultimate in steady, smooth performance and easy readability. Traditional Flat Dials are equipped with Ritchie's race proven PowerDamp® system, a lightweight baffle that eliminates spinning and dial jumping at high speeds and in rough conditions. Direct Reading and CombiDial™ dials are formed so that their shape also provides PowerDamp performance.

## C Directiveforce™ Magnets

Ritchie uses special High Gauss Magnets that are field balanced and matched to each compass model, dial style and size. They are attached to the underside of the dial in pairs matched to seek and lock on to magnetic north. This provides superior accuracy and smooth, rapid response.

## D Pivot and Jewel Movement

All Ritchie Compasses use a Hardened Steel Pivot and Triple Cup Sapphire Jewel Movement. They are microscopically matched to provide smooth dial operation and fast lock-on, under the most severe conditions. There are no plastic pivots or jewels in Ritchie Compasses.



## Repairability & Warranty

All Ritchie compasses are 100% repairable and are backed by Ritchie's exclusive 5-year Warranty. See the "warranty" section on the back cover for complete details.

# Selecting, installing & positioning your compass.

When you choose your compass, you should always consider four things: mounting style, size, readability of the card and the design of your boat. Our guide below will help you select the Mounting Style and Dial Design that best suit your boat. You'll find more information on utilizing and optimizing your compass in Ritchie's Complete Guide to Compass Navigation.

Download it for free at [www.ritchienavigation.com](http://www.ritchienavigation.com)



## Positioning

In an ideal situation, a compass should be mounted directly in front of the helm, as well as directly above the centerline of the hull. If this is not possible, the compass should be mounted parallel to the centerline. And on powerboats with upper steering stations, you should have a compass installed at both locations.

## Mounting Styles



**Dash Mount**

*Ideal for powerboats with limited dash space*



**Bulkhead Mount**

*Often used on sailboats to reduce interference with lines and to save space*



**Bracket Mount**

*Can be mounted on the deck or dash; allows compass to remain at proper viewing angle*



**Flush / Surface Mount**

*Ideal for today's compact helm designs*



**Binnacle Mount**

*Features an outer case, often with a light-shielding hood*



*Ritchie has available special custom fit covers for many models.*

## Dial Design

Wherever your compass is positioned on your boat, you'll need a dial that provides you with ultimate readability in every condition you encounter.



**Combi-Dial**

*A combination of the direct-read and flat-card designs; incorporates dials that can be read from both above and directly in front of the compass and maximizes readability from any angle*



**Flat-Card Dial**

*Allows you to look down on the compass to see the course heading*

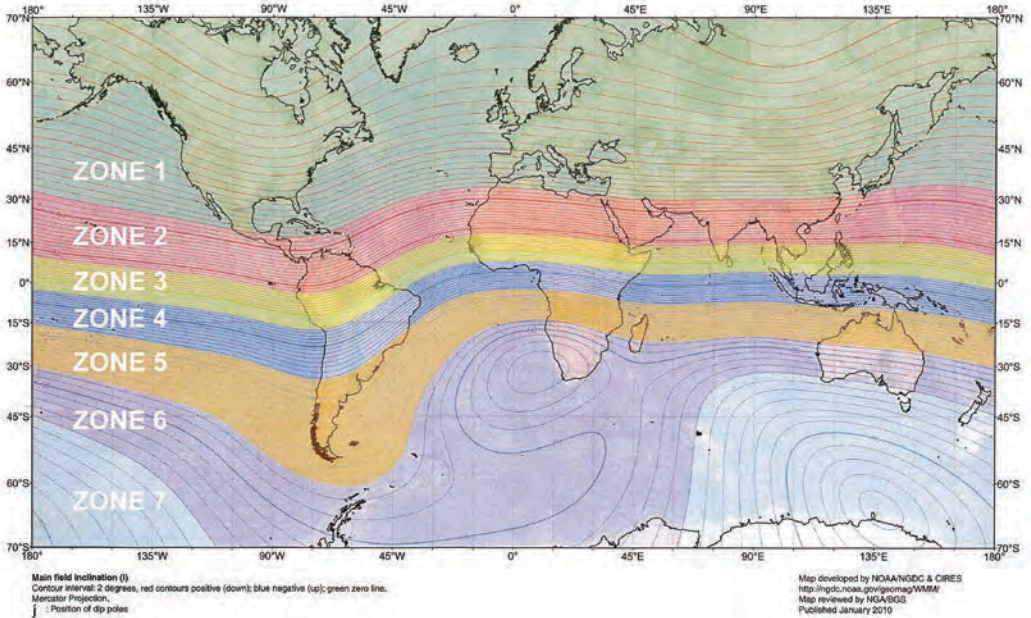


**Direct-Read Dial**

*Allows you to see the compass heading and lubber line from directly in front; good for when boat design requires your compass to be positioned at eye level*

# Balancing Compass Dials

US/UK World Magnetic Model -- Epoch 2010.0  
Main Field Inclination (I)



Dials in magnetic compasses should be balanced to compensate for dip caused by the earth's magnetic field. All Ritchie Compasses are standard balanced for Zone 1 (essentially all of the northern hemisphere).

## **Compasses cannot be Zone Balanced in the field.**

If unsure of the correct zone to order, contact our Sales Department at [sales@ritchienavigation.com](mailto:sales@ritchienavigation.com) for additional information.

Purchase an appropriately zoned compass that is central to your boating area for example:

Country	Rec. Zone Balance
Australia	Zone 6
Brazil	Zone 4 or 5
Guam	Zone 3
Panama	Zone 2



# Wheelmark Compasses

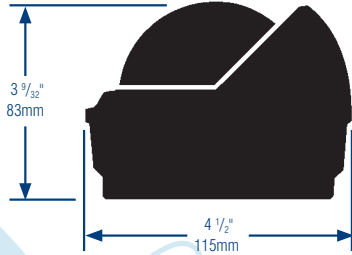
The Wheelmark approval is for Lifeboat and Rescue boat compasses. These compasses are also suitable for sailboats, power boats and motor sailing vessels.

The -WM suffix signifies type approval and compliance with the Navigation requirements of Marine Equipment Directive (MED) 95/98/EC and the last modification by Directive 2011/75/EU. Wheelmark certificates can be downloaded from our website, [www.ritchienavigation.com](http://www.ritchienavigation.com)



## Ritchie Voyager® S-87-WM & S-87W-WM, 3" Dial

Dial Size/Design	3" (76mm)/CombiDial
Night Lighting	12V Green
Compensators	Built-in
Warranty	5-Year
Approx. Shipping Wt.	1 lb. 3 oz. (539g)
Protective Cover	Model No. V-83-C



S-87W-WM



S-87-WM

SURFACE MOUNT



For more information including articles, downloads and our Complete Guide to Compass Navigation, visit: [www.ritchienavigation.com](http://www.ritchienavigation.com)



# Wheelmark Compasses

## Ritchie Voyager® F-83-WM & F-83W-WM, 3" Dial

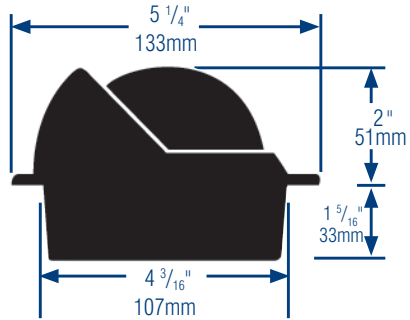
Dial Size/Design	3" (76mm)/CombiDial
Night Lighting	12V Green
Compensators	Built-in
Mounting Hole	4 3/16" (107mm)
Warranty	5-Year
Approx. Shipping Wt.	1 lb. 4 oz.(567g)
Protective Cover	Model No. V-83-C



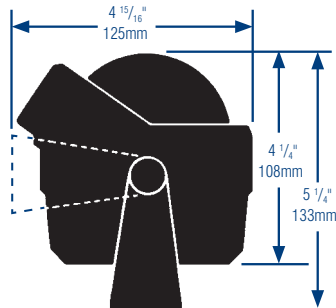
F-83W-WM



F-83-WM

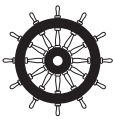


B-81-WM



## Ritchie Voyager® B-81-WM, 3" Dial

Dial Size/Design	3" (76mm)/CombiDial
Night Lighting	12V Green
Compensators	Built-in
Warranty	5-Year
Approx. Shipping Wt.	1lb. 8 oz. (680g)
Protective Cover	Model No. V-83-C



# Wheelmark Compasses

The Wheelmark approval is for Lifeboat and Rescue boat compasses. These compasses are also suitable for sailboats, power boats and motor sailing vessels.

The -WM suffix signifies type approval and compliance with the Navigation requirements of Marine Equipment Directive (MED) 95/98/EC and the last modification by Directive 2011/75/EU. Wheelmark certificates can be downloaded from our website, [www.ritchienavigation.com](http://www.ritchienavigation.com)

FLUSH MOUNT

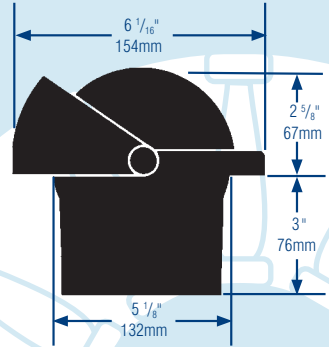
## Ritchie Navigator™ FN-201-WM & FN-201W-WM, 4 1/2" Dial



FN-201W-WM

FN-201-WM

Dial Size/Design	4 1/2" (114mm)/Flat-Card
Night Lighting	12V Green
Compensators	Built-in
Mounting Hole	5 1/8" (130mm)
Warranty	5-Year
Approx. Shipping Wt.	2 lb. 10 oz. (1.19kg)
Protective Cover	Model No. N-203-C



BINNACLE MOUNT

## Ritchie Navigator™ DNW-200-WM, DNP-200-WM & DNB-200-WM, 4 1/2" Dial

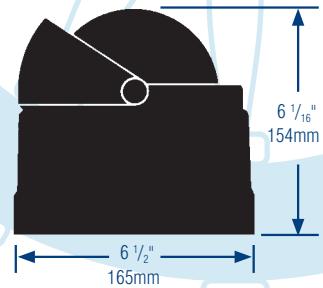


DNW-200-WM

DNP-200-WM

DNB-200-WM

Dial Size/Design	4 1/2" (114mm)/Flat-Card Dial
Night Lighting	12V Green
Compensators	Built-in
Warranty	5-Year
Approx. Shipping Wt.	3 lb. 10 oz. (1.65kg)
Protective Cover	Model No. N-203-C



Weather Shield Model No. WS-P (Sold Separately)



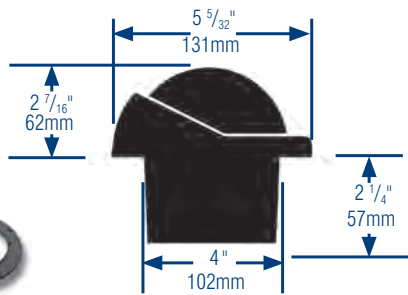
This wheelmark symbol denotes conformance with standards ISO 25862:2009, ISO 10316:1990(E) and ISO 613:2002(E)

# SuperSport™ Compasses

Developed for and tested on offshore race boats, the SuperSport Series compasses feature the PowerDamp® Plus dial. This dial technology features the PowerDamp® dial skirt to prevent oscillation, larger DirectiveForce™ magnets for quick lock on and extra-large steel pivots and jewels for smooth fast action.

## SuperSport™ SS-1002, 3 3/4" Dial

Dial Size/Design	3 3/4" (94mm)/Blue PowerDamp Plus Flat-Card Dial
Night Lighting	12V Green
Compensators	Built-in
Mounting Hole	4" (102mm) – 5" (128mm) w/adapter ring
Warranty	5-Year
Approx. Shipping Wt.	2 lb. (907g)
Protective Cover	Model No. H-741-C

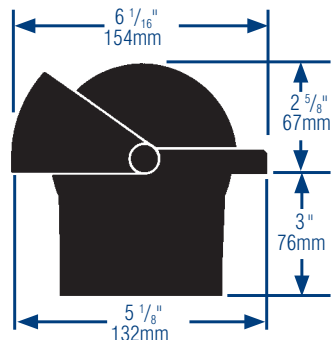


### Adapter Rings (may be purchased if needed)

6" (15.24cm) retrofits the existing mounting hole for Model Numbers SS-1002 and SS-1002W. Adapter Model Numbers: H-ABLK (black) and H-AWHT (white).

## SuperSport™ SS-2000, 4 1/2" Dial

Dial Size/Design	4 1/2" (114mm)/Blue PowerDamp Plus Flat-Card Dial
Night Lighting	12V Green
Compensators	included
Mounting Hole	5 1/8" (130mm)
Warranty	5-Year
Approx. Shipping Wt.	2 lb. 10 oz. (1.19kg)
Protective Cover	Model No. N-203-C



FLUSH MOUNT

FLUSH MOUNT

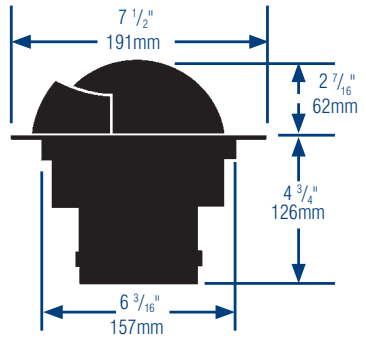
# SuperSport™ Compasses

FLUSH MOUNT



## SuperSport™ SS-5000, 5" Dial

Dial Size/Design	5" (127mm)/PowerDamp Plus Flat-Card Dial
Night Lighting	12V Green/24V or 32V by order
Compensators	Built-in
Mounting Hole	6 1/4" (159mm)
Warranty	5-Year
Approx. Shipping Wt.	5 lb. 12 oz. (2.6kg)
Protective Cover	Model No. LL-C

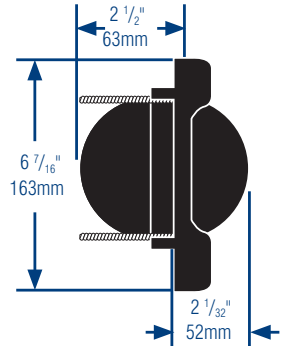


BULKHEAD MOUNT



## SuperSport™ SS-PR2, 3 3/4" Dial

Dial Size/Design	3 3/4" (9.35cm)/CombiDial
Night Lighting	12-24V Blue
Compensators	included
Mounting Hole	4 1/2" (12.2cm)
Warranty	5-Year
Approx. Shipping Wt.	2 lb. (.91kg)
Protective Cover	BK-0019 ASY
SR-CM2 Compensator	included



Mount at any angle up to 45°





## Masthead Mount Wind Indicator

**High Stability** - won't overreact, minimal flutter

**Carbon Fiber Construction** - to withstand the rigors of high performance racing

**Low Friction Bearing** - the heart of **Race 1**

**Ultralight** - less than 10g all up

**Ultra Sensitive** - the 0.3mm carbon "feather" responds reliably to the lightest of airs, you pick up the shifts before the competition

## Feather Vane Race 1 FVR-1

Size: Vane Length - 8" (20 cm),  
Height - 12.99" (33 cm)

Warranty: 1 Year

Approx. Ship Wt. 1 lb. (45 gm)

## Wetnotes™ W-35 & W-50



WetNotes Model W-50  
includes 45 pages, vinyl cover and pencil

WetNotes are ideal for any on-the-water record keeping, from jotting down favorite fishing spots to grocery lists. Completely waterproof so they may be used underwater, WetNotes are available in two sizes: the Large 4 1/2" x 7 1/4" Notebook and the Small 3" x 5" Pocket Notebook.

WetNotes can be used with a regular soft lead pencil (supplied with W-50 Notebook), opens flat

for easy writing, has easily removable pages and a tough international safety yellow vinyl cover.



WetNotes Model W-35  
includes 40 pages, self cover

# Kayak Compasses and Accessories

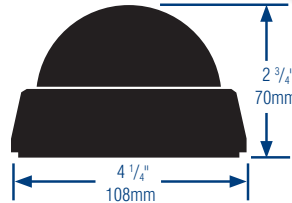
## Ritchie Kayaker™ XP-99, 3" Dial

Dial Size/Design 2 3/4" (76mm)/CombiDial  
 Warranty 5-Year  
 Approx. Shipping Wt. 1 lb. (454g)



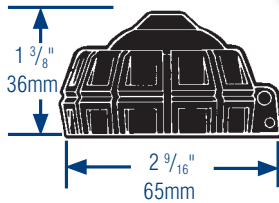
## Kayaker Tie-Downs

**K-TD.2 (compass not included)** Designed for Mounting the Ritchie Kayaker. No drill, no holes in the deck, flexible pad and foam ring easily conform to deck shape, won't scratch finishes.



## Ritchie SportAbout™ X-11Y, 2" Dial

Dial Size/Design 2" (51mm)/Direct-Read Dial  
 Night Lighting 3 Cyalume® Light Sticks Included  
 Warranty 5-Year  
 Approx. Shipping Wt. 1 lb. (454g)



X-TD Tie-Down  
(compass not included)

## Sportabout™ Compass Holder

The SportAbout Holder can be deck mounted to make your SportAbout a Steering Compass on small boats. For convenient storage, mount the Holder on a Bulkhead



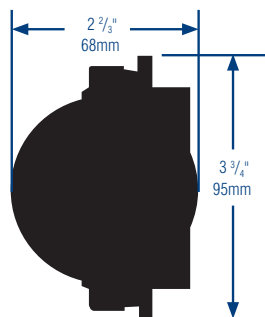
SportAbout™ Holder  
 White - X-11-HW  
 Black - X-11-H

# Kayak Compass



## Ritchie V-527, 2<sup>3</sup>/<sub>4</sub>" Dial

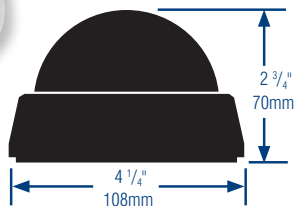
Boat Style/Size	Kayaks
Dial Size/Design	2 <sup>3</sup> / <sub>4</sub> " (70mm)/Direct-Read Dial
Night Lighting	N/A
Compensators	Built-in
Warranty	5-Year
Viewing	Adjustable up to 45°
Approx. Shipping Wt.	1lb. (454g)



# Small Sailboat Racing Compasses

## Ritchie X-Port Tactician™ XP-98W, 3" Dial

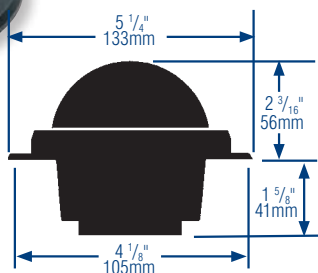
Dial Size/Design	3" (76mm)/CombiDial with Tactical Quadrants to show Wind Shifts and Headers
Warranty	5-Year
Approx. Shipping Wt.	1lb. (454g)



## Ritchie Voyager® RU-90, 3" Dial

Boat Style	small racing sailboats
Dial Size/Design	3" (76mm)/Blue Flat-Card Dial
Night Lighting	none*
Mounting Hole	4 1/8" (105mm)
Warranty	5-Year
Approx. Shipping Wt.	1 lb. 4 oz. (567g)
Protective Cover	Model No. V-81-C

\*Light Kit VL-100 available for RU-90



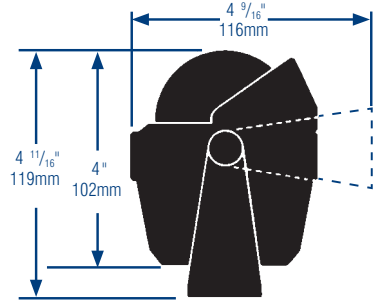
For more information including articles, downloads and our Complete Guide to Compass Navigation, visit: [www.ritchienavigation.com](http://www.ritchienavigation.com)

# Fishing Boat Compasses



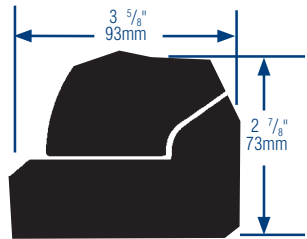
## Ritchie Angler® RA-91, 2¾" Dial

Dial Size/Design	2 ¾" (70mm)/Blue Direct-Read Dial
Night Lighting	12V Green
Compensators	Built-in
Warranty	5-Year
Approx. Shipping Wt.	1 lb. (454g)
Protective Cover	None



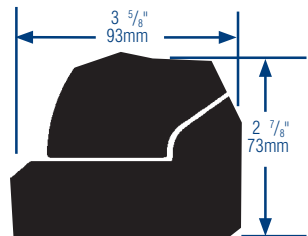
## Ritchie Angler® RA-93, 2¾" Dial

Dial Size/Design	2 ¾" (70mm)/Blue Direct-Read Dial
Night Lighting	12V Green
Compensators	Built-in
Warranty	5-Year
Approx. Shipping Wt.	1 lb. (454g)
Protective Cover	Model No. E-50-C



## Off 90° Compass S-OFF90, 2¾" Dial

Dial Size/Design	2 ¾" (70mm)/Direct-Read Dial
Night Lighting	12V Green
Compensators	Built-in
Warranty	5-Year
Approx. Shipping Wt.	1 lb. (454g)
Viewing	90° off for viewing from starboard
Protective Cover	Model No. E-50-C





# RitchieSport® Compasses



X-10-A



X-10W-M



X-10B-M



X-10-M

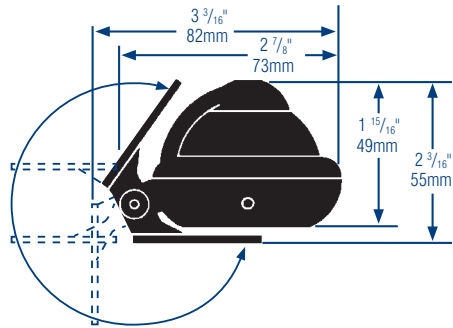


## RitchieSport® X-10, 2" Dial

Dial Size/Design	2" (51 mm)/Direct-Read Dial
Night Lighting	12V Green
Compensators	Built-in
Warranty	5-Year
Approx. Shipping Wt.	5 oz. (142g)

### Adjustable Reversible Bracket Mount

The fully adjustable and reversible Bracket allows a mounting range of over 300° from overhead, through angled and vertical mounts to horizontal surfaces. These mounting position options and your choice of mounting hardware permit mounting on everything from windshield or supporting frame structures, to slanted dashboards and consoles, to almost any flat, angled or vertical surface.



X-21BB



X-21BU

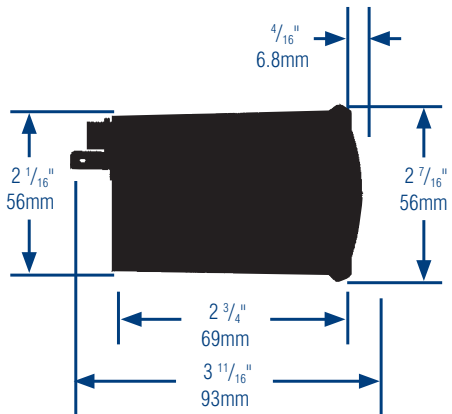


X-21WW



## RitchieSport® X-21, 2" Dial

Dial Size/Design	2" (51 mm)/Direct-Read Dial
Night Lighting	12V Green
Compensators	None
Viewing	Adjustable to 30°
Mounting Hole	2 1/16" (56mm) Std. 2" gauge hole
Warranty	5-Year
Approx. Shipping Wt.	5 oz. (142g)



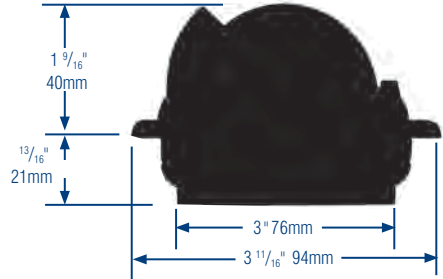
# Trfi™ Compasses

FLUSH MOUNT



## Ritchie Trfi™ TR-35, 2 1/4" Dial

Dial Size/Design	2 1/4" (57mm)/Direct-Read Dial
Night Lighting	12V Green
Compensators	Built-in
Mounting Hole	3" (7.62cm)
Warranty	5-Year
Approx. Shipping Wt.	9 oz. (256g)

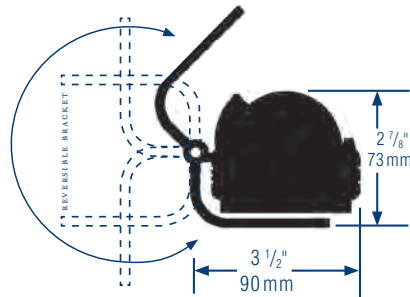


BRACKET MOUNT



## Ritchie Trfi™ TR-31, 2 1/4" Dial

Dial Size/Design	2 1/4" (57mm) Direct-Read Dial
Night Lighting	12V Green
Compensators	Built-in
Warranty	5-Year
Approx. Shipping Wt.	9 oz. (256g)



### Adjustable Reversible Bracket Mount

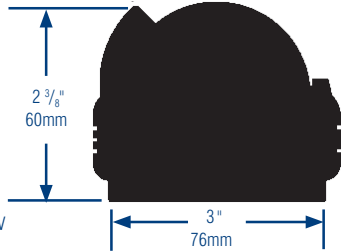
The fully adjustable and reversible Bracket allows a mounting range of over 300° from overhead, through angled and vertical mounts to horizontal surfaces. These mounting position options and your choice of mounting hardware permit mounting on everything from windshield or supporting frame structures, to slanted dashboards and consoles, to almost any flat, angled or vertical surface.

# Trfi™ Compasses



## Ritchie Trfi™ TR-33, 2 1/4" Dial

Dial Size/Design	2 1/4" (57mm)/Direct-Read Dial
Night Lighting	12V Green
Compensators	Built-in
Warranty	5-Year
Approx. Shipping Wt.	9 oz. (256g)



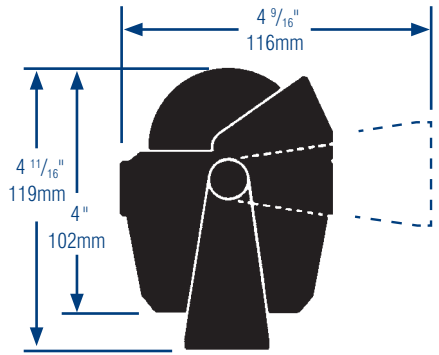
# Explorer™ Compasses



B-51W

B-51G

B-51



## Ritchie Explorer™ B-51, 2 3/4" Dial

Dial Size/Design	2 3/4" (70mm)/Direct-Read Dial
Night Lighting	12V Green
Compensators	Built-in
Warranty	5-Year
Approx. Shipping Wt.	1 lb. (454g)

SURFACE MOUNT

BRACKET MOUNT

# Explorer™ Compasses

FLUSH MOUNT



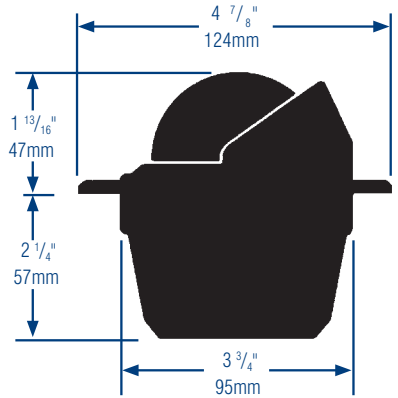
F-50W



F-50

## Ritchie Explorer™ F-50, 2 3/4" Dial

Dial Size/Design	2 3/4" (70mm)/Direct-Read Dial
Night Lighting	12V Green
Compensators	Built-in
Mounting Hole	3 3/4" (95mm)
Warranty	5-Year
Approx. Shipping Wt.	1 lb. (454g)
Protective Cover	Model No. E-50-C



SURFACE MOUNT



S-53G

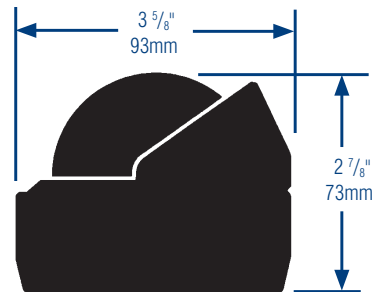


S-53W

S-53

## Ritchie Explorer™ S-53, 2 3/4" Dial

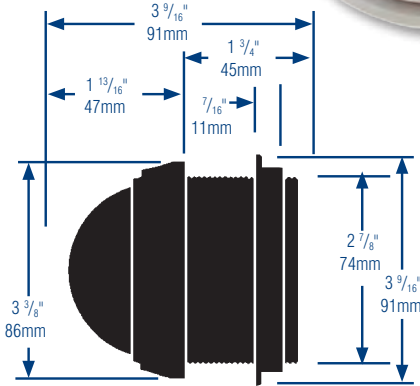
Dial Size/Design	2 3/4" (70mm)/Direct-Read Dial
Night Lighting	12V Green
Compensators	Built-in
Warranty	5-Year
Approx. Shipping Wt.	1 lb. (454g)
Protective Cover	Model No. E-50-C



# Explorer™ Compasses

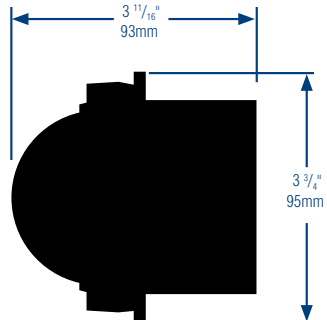
## Ritchie Explorer™ V-57.2, 2 3/4" Dial

Dial Size/Design	2 3/4" (70mm)/Direct-Read Dial
Night Lighting	12V
Viewing	Adjustable to 30°
Compensators	Built-in
Mounting Hole	3" (76mm) Instrument Hole
Warranty	5-Year
Approx. Shipping Wt.	1 lb. (454g)



## Ritchie Explorer™ V-537, 2 3/4" Dial

Dial Size/Design	2 3/4" (70mm)/Direct-Read Dial
Night Lighting	12V
Viewing	Adjustable to 30° Heel angle to 25°
Compensators	Built-in
Mounting Hole	3" (76mm)
Warranty	5-Year
Approx. Shipping Wt.	1 lb. (454g)



DASH MOUNT

BULKHEAD MOUNT

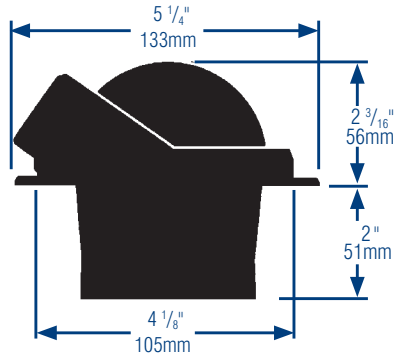
# Voyager® Compasses

FLUSH MOUNT



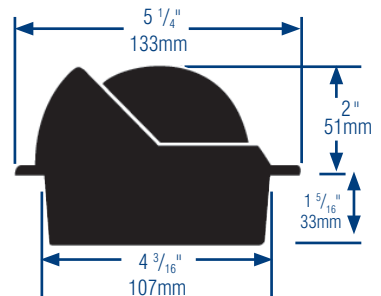
## Ritchie Voyager® F-82, 3" Dial

Dial Size/Design	3" (76mm)/Flat-Card Dial
Night Lighting	12V Green
Compensators	Built-in
Mounting Hole	4 1/8" (105mm)
Warranty	5-Year
Approx. Shipping Wt.	1 lb. 8 oz.(680g)
Protective Cover	Model No. V-80-C



## Ritchie Voyager® F-83, 3" Dial

Dial Size/Design	3" (76mm)/CombiDial
Night Lighting	12V Green
Compensators	Built-in
Mounting Hole	4 3/16" (107mm)
Warranty	5-Year
Approx. Shipping Wt.	1 lb. 4 oz.(567g)
Protective Cover	Model No. V-83-C



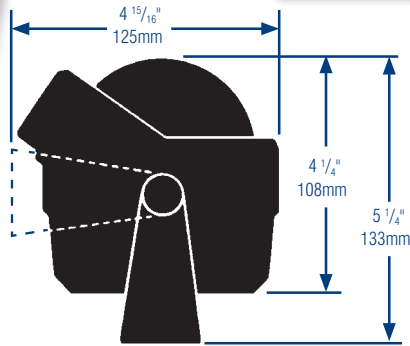
FLUSH MOUNT

# Voyager® Compasses



## Ritche Voyager® B-80 & B-81, 3" Dial

Dial Size/Design	3" (76mm)/Flat-Card or CombiDial
Night Lighting	12V Green
Compensators	Built-in
Warranty	5-Year
Approx. Shipping Wt.	1lb. 8oz. (680g)
Protective Cover	Model No. V-80-C (B-80) Model No. V-83-C (B-81)



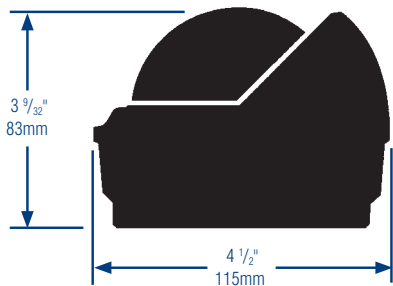
## Ritche Voyager® S-87, 3" Dial

Dial Size/Design	3" (76mm)/CombiDial
Night Lighting	12V Green
Compensators	Built-in
Warranty	5-Year
Approx. Shipping Wt.	1 lb. 3 oz. (539g)
Protective Cover	Model No. V-83-C



S-87

S-87W



# Helmsman™ Compasses

FLUSH MOUNT



HF-742

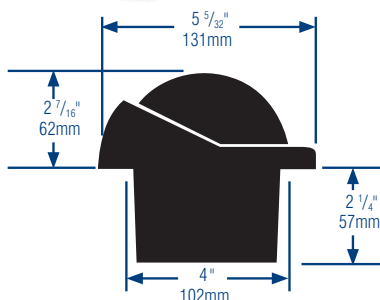


HF-743

HF-742W



HF-743W



## Ritchie Helmsman™ HF-742 & HF-743, 3 3/4" Dial

Dial Size/Design	3 3/4" (94mm) / Flat-Card or CombiDial
Night Lighting	12V Green
Compensators	Built-in
Mounting Hole	4" (102mm), 5" (128mm) w/adaptor ring
Warranty	5-Year
Approx. Shipping Wt.	2lb. (907g)
Protective Cover	Model No. H-741-C



### Adapter Rings (may be purchased if needed)

6" (152mm) retrofits the existing mounting hole for Model Numbers HF-72s, HF-73s and HF-79s. Adapter Model Numbers: H-ABLK (black) and H-AWHT (white).

BRACKET MOUNT



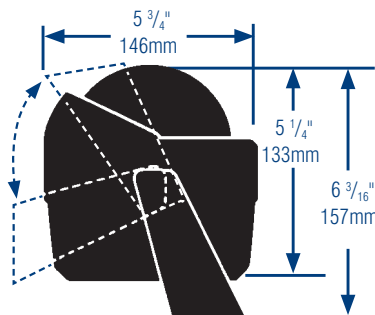
HB-740



HB-741

## Ritchie Helmsman™ HB-740 & HB-741, 3 3/4" Dial

Dial Size/Design	3 3/4" (94mm) / Flat-Card or CombiDial
Night Lighting	12V Green
Compensators	Built-in
Warranty	5-Year
Approx. Shipping Wt.	2 lb. (907g)
Protective Cover	Model No. H-741-C





# Helmsman™ Compasses



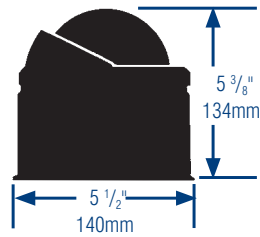
HD-744

HD-745



## Ritchie Helmsman™ HD-744 & HD-745, 3 3/4" Dial

Dial Size/Design	3 3/4" (94mm)/Flat-Card or CombiDial
Night Lighting	12V Green
Compensators	Built-in
Warranty	5-Year
Approx. Shipping Wt.	2 lb. (907g)
Protective Cover	Model No. H-741-C



# Venture® Compass *(Sailboats only)*



Front Cover  
BK-0019 ASY



Back Cover  
BK-0020

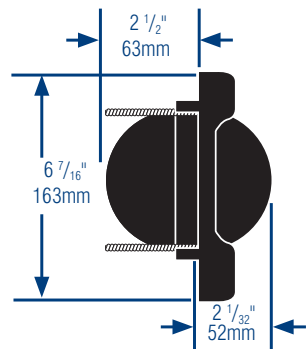
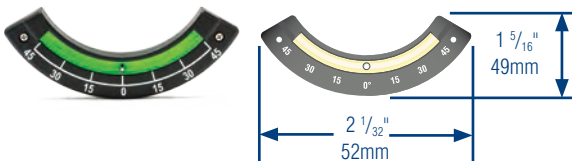


SR-CM2 Compensator  
(may be purchased if needed)

## Ritchie Venture™ SR-2, 3 3/4" Dial

Dial Size/Design	3 3/4" (94mm)/CombiDial
Night Lighting	12-24V Blue
Compensators	SR-CM2 Sold Separately
Mounting Hole	4 1/2" (113mm)
Warranty	5-Year
Approx. Shipping Wt.	2 lb. (.91kg)
Protective Cover	BK-0019 ASY
INC-45	Included

### INC-45 Clinometer



DECK MOUNT

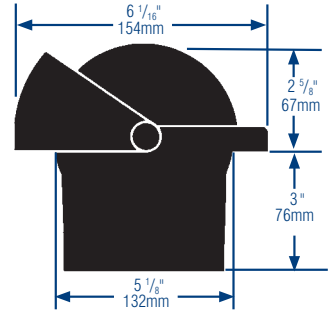
BULKHEAD MOUNT

# Navigator™ Compasses



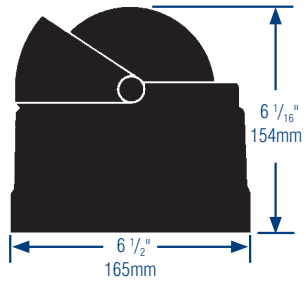
## Ritchie Navigator™ FN-201 & FN-203, 4 1/2" Dial

Dial Size/Design	4 1/2" (114mm)/Flat-Card or CombiDial
Night Lighting	12V Green
Compensators	Built-in
Mounting Hole	5 1/8" (130mm)
Warranty	5-Year
Approx. Shipping Wt.	2 lb. 10 oz. (1.19kg)
Protective Cover	Model No. N-203-C



## Ritchie Navigator™ DNP-200, 4 1/2" Dial

Dial Size/Design	4 1/2" (114mm) / Flat-Card Dial
Night Lighting	12V Green
Compensators	Built-in
Warranty	5-Year
Approx. Shipping Wt.	3 lb. 10 oz. (1.65kg)
Protective Cover	Model No. N-203-C



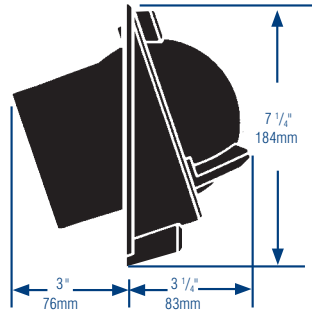
# Navigator™ Compasses



Navigator bulkhead back cover Model No. NC-20

## Ritchie Navigator™ BN-202, 4 1/2" Dial

Dial Size/Design	4 1/2" (114mm) / CombiDial
Night Lighting	12V
Compensators	Built-in
Mounting Hole	5 3/4" (146mm)
Warranty	5-Year
Approx. Shipping Wt.	2 lb. 5 oz. (1.05kg)
Protective Cover	Model No. BN-C

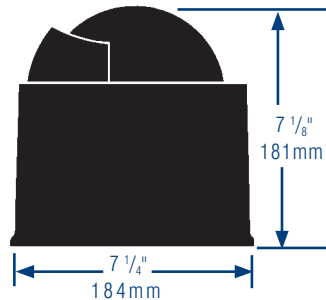


# Globemaster® Compasses

All Globemaster Compasses are individually custom assembled to order. Please ask your dealer or boat builder for complete specifications, options and ordering information (see note on page 29). Or, call Ritchie Customer Service at 781-709-3202.

## Globemaster® SP-5B & SP5C, 5" Dial

Dial Size/Design	5" (127mm) / Flat-Card Dial
Night Lighting	12V Green
Compensators	Built-in
Warranty	5-Year
Approx. Shipping Wt.	6 lb. (2.72kg)
Protective Cover	Model No. GM-5-C (Sold Separately)
Weather Shield	Model No. WS-P (Sold Separately)

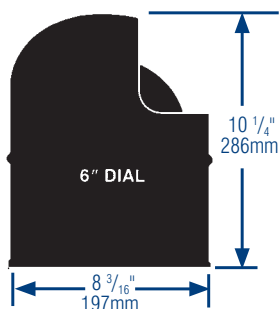


# Globemaster® Compasses

All Globemaster Compasses are individually custom assembled to order. Please ask your dealer or boat builder for complete specifications, options and ordering information (see note on page 29). Or, call Ritchie Customer Service at 781-709-3202.

## Globemaster® D-615 Compasses

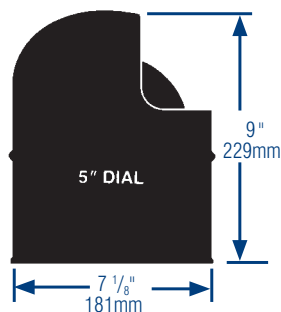
Dial Size/Design	6" (152mm) Flat-Card Dial
Night Lighting	12V Green
Compensators	Built-in
Warranty	5-Year
Approx. Shipping Wt.	14 lb. (6.36kg)



D-615-X

## Globemaster® D-515 Compasses

Dial Size/Design	5" (127mm) Flat-Card Dial
Night Lighting	12V Green
Compensators	Built-in
Warranty	5-Year
Approx. Shipping Wt.	10 lb. (4.54kg)
Protective Cover	Model No. GM-5-C (Sold Separately)
Weather Shield	Model No. WS-P (Sold Separately)



D-515-EP



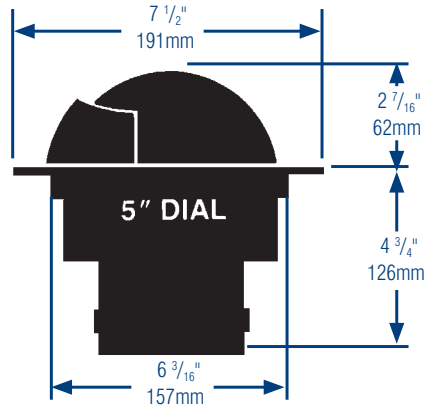
D-515-B

# Globemaster® Compasses

All Globemaster Compasses are individually custom assembled to order. Please ask your dealer or boat builder for complete specifications, options and ordering information. Or, call Ritchie Customer Service at 781-709-3202.



FB-500



## Globemaster® FB-500 & 600 Series, 5" & 6" Dials

Dial Size/Design	5" (127mm) or 6" (152mm) Flat-Card Dial
Night Lighting	12V Green
Compensators	Built-in
Mounting Hole	5" models: 6 1/4" (159mm)    6" models: 7 1/4" (184mm)
Warranty	5-Year
Approx. Shipping Wt.	See below
Protective Cover	Model No. LL-C (for Models SF-500 & FB-500 only)

### Flush Mount Without Hoods

Part #	Dimensions	Approx. Shipping Wt.
B-500	5" dial, 6 7/8" (175mm) OD	5 lb. 12 oz. (2.61 kg)
* SB-500	5" dial, 6 7/8" (175mm) OD	5 lb. 12 oz. (2.61 kg)
B-600	6" dial, 8" (203mm) OD	11 lb. (4.99 kg)
* SB-600	6" dial, 8" (203mm) OD	11 lb. (4.99 kg)
* SF-500	5" dial, 7 1/2" (191mm) OD	5 lb. 12 oz. (2.61 kg)
* SF-600	6" dial, 9" (229mm) OD	11 lb. (4.99 kg)
FB-500	5" dial, 7 1/2" (191mm) OD	5 lb. 12 oz. (2.61 kg)
F-600	6" dial, 9" (229mm) OD	11 lb. (4.99 kg)

### Binnacle Mount Without Hoods

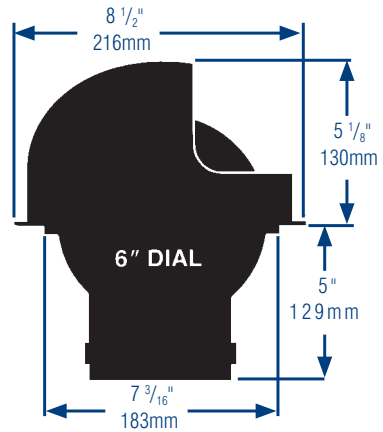
* SP-5	5" dial, 7 1/4" (184mm) OD	6 lb. (2.72 kg)
515	5" dial, 7 1/8" (183mm) OD	8 lb. 6 oz. (3.80 kg)
* 515-E	5" dial, 7 1/8" (183mm) OD	8 lb. 6 oz. (3.80 kg)
615	6" dial, 8 3/16" (197mm) OD	11 lb. 8 oz. (5.28 kg)
* 615-E	6" dial, 8 3/16" (197mm) OD	11 lb. 8 oz. (5.28 kg)

\* designates sailboat features: Low Level Lighting and 45° Lubber Lines

*Note: When ordering a Globemaster Compass it is important to specify your choice of power or sailboat model; 2°, 2° w/points, or 5° dial; 12, 24, or 32-volt night lighting and your choice of Polished Stainless (P), Black (B) or Polished Brass (X) finish on all models.*

# Globemaster® Compasses

All Globemaster Compasses are individually custom assembled to order. Please ask your dealer or boat builder for complete specifications, options and ordering information. Or, call Ritchie Customer Service at 781-709-3202.



## Globemaster® FD-500 & 600 Series, 5" & 6" Dials

### Flush Mount With Hoods

Part #	Dimensions	Approx. Shipping Wt.
FD-500	5" dial, 7 1/2" (191mm) OD	8 lb. 9 oz. (3.87 kg)
* FD-500E	5" dial, 7 1/2" (191mm) OD	8 lb. 9 oz. (3.87 kg)
FD-600	6" dial, 8 1/2" (216mm) OD	13 lb. 8 oz. (6.12 kg)
* FD-600E	6" dial, 8 1/2" (216mm) OD	13 lb. 8 oz. (6.12 kg)

### Binnacle Mount With Hoods

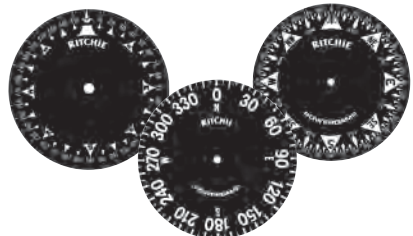
D-515	5" dial, 7 1/8" (183mm) OD	10 lb. (4.54 kg)
* D-515-E	5" dial, 7 1/8" (183mm) OD	10 lb. (4.54 kg)
D-615	6" dial, 8 3/16" (197mm) OD	14 lb. (6.36 kg)
* D-615-E	6" dial, 8 3/16" (197mm) OD	14 lb. (6.36 kg)

\* designates sailboat features: Low Level Lighting and 45° Lubber Lines

*Note: When ordering a Globemaster Compass it is important to specify your choice of power or sailboat model; 2°, 2° w/points, or 5° dial; 12, 24, or 32-volt night lighting and your choice of Polished Stainless (P), Black (B) or Polished Brass (X) finish on all models.*

G-2 (5" only)

G-2-P (5" and 6")



G-5 (5" and 6")

# Heritage Skylight Binnacle with Hood for Globemaster® Compasses



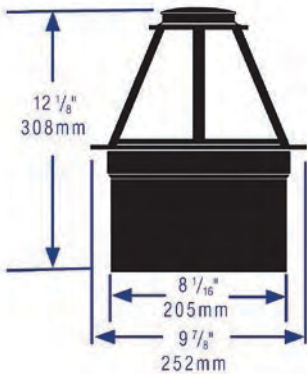
SK-615-EX

SK-615-EC

- Polished Brass or Chrome Housing with Skylight Hood
- 45 & 90 Degree Lubber Lines for Easy Reading
- Full Internal Gimbals



The SK-615-C shown here on a Friendship 75 Yacht



*Frosted Sunshade Pane - Hood rotates to allow positioning of sunshade, polished thumbscrew locks hood in position.*



12 Volt Green NiteVu Powerlight Lighting Standard on all SK Models Optional Night Lighting available ( see below)



Removable Daylight Cap

Dial Size/Design  
12 Volt Green Powerlight Lighting

## SK-615-EX & SK-615-EC

6" (152mm)  
Standard on both SK models  
Optional Night Lighting available in 24 & 32 Volt Green or 12, 24 & 32 Volt Red  
Built-In  
5-Years  
100%  
20 lb. (9.07kg)

Compensators  
Warranty  
Repairability  
Approx. Shipping Wt.

**Choice of Cards:**  
2° Dial w/points  
Model No. G-2-P

5° Dial  
Model No. G-5



*Hood Models SK-600-X and SK-600-C can be purchased separately*

# Super Yacht Compasses



SY-600LL

## Super Yacht Compass Features

- Bright polished Bronze or polished Chrome Bezel
- Choice of 2 or 5 degree markings
- Low profile Sailboat Style Lighting (LL) or Power Lighting (PL)
- PowerDamp Performance Dials
- 45 and 90 Degree Lubber Lines (Sailboat version)
- Full Internal gimbals
- 12 volt lighting standard – Optional night lighting available in 24 and 32 volt
- Spherical Design Bowl
- 100% Repairable
- To see all available options go to [www.ritchienavigation.com](http://www.ritchienavigation.com)



SY-500LL



SY-600PL



SY-500LLC

*Optional engraving available*

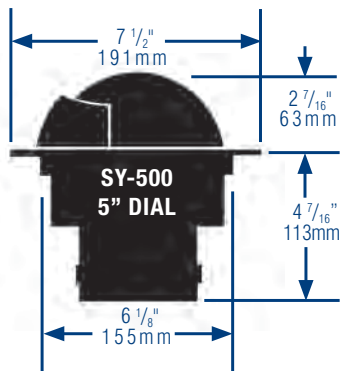
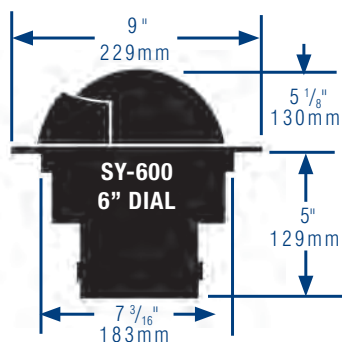


## Super Yacht SY-600 Series

Dial Size/Design	6" (152mm) Flat-Card Dial
Night Lighting	Yes
Mounting Hole	7 1/4" (18.42cm)
Compensators	Built-in
Warranty	5-Year
Approx. Shipping Wt.	11 lbs. (4.99kg)
Protective Cover	None

## Super Yacht SY-500 Series

Dial Size/Design	5" (127mm) Flat-Card Dial
Night Lighting	Yes
Mounting Hole	6 1/4" (15.9cm)
Compensators	Built-in
Warranty	5-Year
Approx. Shipping Wt.	5 lb. 12oz. (2.6kg)
Protective Cover	LL-C (LL lighting only)





# Steel & Commercial Boat Compasses

Ritchie steel boat compasses are completely equipped with the necessary compensating equipment (BIC and quadrantal spheres) to provide proper operation on steel hulled boats.



HB-845

## Helmsman™ HB-845 with Steel Boat Quadrantal Correctors, 3 3/4" Dial

Dial Size/Design	3 3/4" (57mm)/Flat-Card Dial
Night Lighting	12V Green
Overall Dimensions	12" x 6 1/6" (305mm x 157mm)
Base	4 3/8" (111mm)
Warranty	5-Year
Approx. Shipping Wt.	6 lb. (2.72kg)
Protective Cover	Model No. H-741-C

## Navigator™ B-200P with Steel Boat Quadrantal Correctors, 4 1/2" Dial

Dial Size/Design	4 1/2" (114mm)/Flat-Card Dial
Night Lighting	12V Green
Overall Dimensions	17 1/4" x 6 1/6" (438mm x 157mm)
Base	7 1/4" (184mm)
Warranty	5-Year
Approx. Shipping Wt.	10 lb. (4.5kg)
Protective Cover	Model No. N-203-C



B-200P

# Steel & Commercial Boat Compasses

Ritchie steel boat compasses are completely equipped with the necessary compensating equipment (BIC and quadrantal spheres) to provide proper operation on steel hulled boats



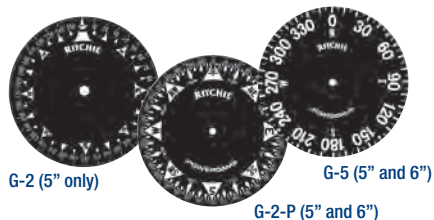
## Globemaster® D-5-S & D-6-S with Steel Boat Quadrantal Correctors, 5" & 6" Dial

	<b>D-5-S</b>	<b>D-6-S</b>
Dial Size/Design	5" (127mm)	6" (152mm)
Night Lighting	12V Green	12V Green
Overall Dimensions	22" x 8 3/4" (556mm x 223mm)	23 3/4" x 10 1/4" (603mm x 260mm)
Base	7 1/8" (181mm)	8 3/16" (209mm)
Warranty	5-Year	5-Year
Approx. Shipping Wt.	23 lb. (10.44kg)	29 lb. (13.15kg)

## Globemaster® YB-500 & YB-600 with Steel Boat Quadrantal Correctors, 5" & 6" Dial

	<b>YB-500</b>	<b>YB-600</b>
Dial Size/Design	5" (127mm)	6" (152mm)
Night Lighting	12V Green	12V Green
Overall Dimensions	19" x 8 1/4" (483mm x 210mm)	20 1/4" x 9 7/8" (514mm x 245mm)
Base	6 7/8" (175mm)	8" (203mm)
Warranty	5-Year	5-Year
Approx. Shipping Wt.	18 lb. (8.16kg)	26 lb. (11.90kg)

**IMPORTANT ORDERING INFORMATION:** All Steel and Commercial Boat Compasses are individually custom assembled to order, and there are many options to consider. All models are available with your choice of 12, 24, or 32-volt night lighting. In addition, Globemaster Models are available for either sail or powerboats with a choice of dial sizes and dial degree graduations. The Globemaster Traditional Binnacle Models are also available in Polished Brass (X), Chrome Plated Brass (C) or Black (B) finish. Please ask your dealer or boat builder for complete specifications, options and ordering information or call Ritchie Customer Service at 781-826-5131.



# Globemaster™ Shock Mount Compasses

Globemaster shock mount compasses are equipped with an anti-vibration feature which isolates the compass unit from damaging shock or hull vibrations. Shock-mounted binnacle models should be installed in enclosed bridge decks or pilot houses.



B-453

## Globemaster® Shock Mount Binnacle B-453 & B-463 with Steel Boat Quadrantal Correctors

*For Steel and Commercial Vessels*

	<b>B-453</b>	<b>B-463</b>
Dial Size/Design	5" (127mm)	6" (152mm)
Night Lighting	12V Green	12V Green
Overall Dimensions	19" x 8 1/4" (463mm x 210mm)	20 1/2" x 10 1/4" (521mm x 260mm)
Base	8 7/16" (214mm)	9 1/2" (241mm)
Warranty	5-Year	5-Year
Approx. Shipping Wt.	16 lb. (7.25kg)	24 lb. (10.89kg)

## Globemaster® C-453 & C-463 with Shock Mount Binnacle

*For Commercial Vessels*

	<b>C-453</b>	<b>C-463</b>
Dial Size/Design	5" (127mm)	6" (152mm)
Night Lighting	12V Green	12V Green
Overall Dimensions	8 1/2" x 8 1/4" (216mm x 210mm)	9 1/2" x 10 1/4" (241mm x 260mm)
Base	8 7/16" (214mm)	9 1/2" (241mm)
Warranty	5-Year	5-Year
Approx. Shipping Wt.	7 lb. (3.52kg)	12 lb. (5.44kg)



C-453

# Navy Standard Compasses

For Large Commercial Vessels



NS-7.5-SB



## Navy Standard NS - 7.5 -SB with Steel Boat Quadrantal Correctors, 7 1/2" Dial

Dial Size/Design	7 1/2" (192mm)/Flat-Card Dial
Night Lighting	12V, 24V, 32V, and 110V
Overall Dimensions	25" x 9 3/8" (635mm x 238mm)
Base	12 1/2" (318mm)
Warranty	5-Year
Approx. Shipping Wt.	43 lb. (19.5kg)

NS-7.5



## Navy Standard NS - 7.5 , 7 1/2" Dial

Dial Size/Design	7 1/2" (192mm)/Flat-Card Dial
Night Lighting	12V, 24V, 32V, and 110V
Overall Dimensions	11 3/4" x 9 3/8" (299mm x 238mm)
Base	12 1/2" (318mm)
Warranty	5-Year
Approx. Shipping Wt.	19 lb. (8.6kg)

NS-7.5-BIN



## Navy Standard NS - 7.5-BIN , 7 1/2" Dial without mounting bracket for installation in ship's binnacle

Dial Size/Design	7 1/2" (192mm)/Flat-Card Dial
Night Lighting	12V, 24V, 32V, and 110V
Overall Dimensions	11 3/4" x 5 15/16" (299mm x 151mm)
Base	12" (304mm)
Warranty	5-Year
Approx. Shipping Wt.	16 lb. (7.3kg)

NAVY STANDARD

## Our Navy Standard Azimuth Circle



Model AC-0001

High quality Hard-wood Carrying Case Included



## Navy Standard Compass Features

- 1° increments with cardinal and inner cardinal markings
- Dial float chamber removes nearly all the weight from pivot and jewel to extend operation by years
- Bezel machined to accommodate 7 1/2" Navy standard azimuth circle or bearing circle
- 5" quadrantal spheres standard with steel boat model, smaller sizes available on request
- Meets or exceeds Solas ISO Class A compass requirements
- Operating Temperature Range: -22°F (-30°C) to +175°F (+80°C)
- 12, 24, 32, and 110 Volt Lighting included
- Fits Navy Standard compasses
- Made of high quality non-magnetic brass
- ID 9.72 inches (247mm)
- Approximate shipping weight 4 lbs. (1.8 kg.)

Azimuth Circle and case made in China

# RITCHIE AUTHORIZED SERVICE LOCATIONS

## ALABAMA

### Mobile Instrument Co. Inc.

745 Lakeside Dr.  
Mobile 36693  
(251) 660-7474  
mwillis@  
mobileinstrumentco.com  
www.mobileinstrumentco.com

## CALIFORNIA

### Baker Marine Instrument & Repair

2425 Shelter Island Dr.  
San Diego 92106  
(619) 222-8096  
brian@bakermarineusa.com  
www.bakermarineusa.com

### Beacon Marine Electronics

3401 West 5th St.  
Suite 150  
Oxnard 93030  
(805) 985-9828  
info@beaconmarineelectronics.com  
www.beaconmarineelectronics.com

### NOR-CAL Compass Adjusting

936-B Seventh St. #258  
Novato 94945  
(415) 892-7177  
norcal.compass@  
verizon.net

### Wheelhouse Compass

11570 Stoney Brook Ct.  
Beaumont 92223  
800-700-NAVY (6289)  
compassrepair  
@wheelhousecompass.com

## CONNECTICUT

### Connecticut Compass Service

301 Grassy Hill Rd.  
Lyme 06371  
(860) 434-2019  
wkyder@earthlink.net

### George B. Winther Yacht Services

Gwenmor Marina,  
Broadway Ext.  
Mystic 06355  
(860) 536-0845

### Southern New England Compass Service

167 Cherry St.  
Milford 06460  
(203) 400-1910  
mgabriel3@juno.com

## FLORIDA

### Fluid Technologies

3477 Lakeshore Blvd.  
Jacksonville, FL 32210  
(904) 384-9659  
info@fluid-tec.com  
www.fluid-tec.com

## Howard Post

1001 Oak Preserve Lane  
Osprey, FL 34229  
(941) 966-4987 (FL)  
(732) 295-1871 (NJ)  
TheHopo@aol.com

## Island Compass South Inc.

2256 Orange Ave.  
Orange Park 32073  
(888) 269-3810  
Fax (904) 215-9180  
compassfix@islandcompass.com  
www.islandcompass.com

## JK & E Enterprises, Inc.

7075 121 Way  
St. Petersburg, FL 33772  
(727) 515-2746  
joe@compassadjuster.com  
www.compassadjuster.com

## L. B. Harvey Marine Inc.

7024 SW 46th St.  
Miami, FL 33155  
(800) 856-1583  
lbhmarine@aol.com  
www.lbharveymarine.com

## Lauderdale Compass

300 West State Rd. 84  
Ft Lauderdale 33315  
Tech (954) 467-3911  
Sales (800) 951-5123  
www.lspeedo.com

## Monroe Enterprises Diversified, Inc.

dba Darling Compass Repair  
4683 Atlantic Ave.  
Sarasota 34233  
(941) 927-0792  
sam.monroe@ymail.com

## HAWAII

## Commercial Marine Elect.

dba The Compass Adjustor  
1320 Kalani St #B309  
Honolulu 96817  
(808)-841-3300  
cmeofhawaii@gmail.com

## ILLINOIS

## Great Lakes Compass Adjusting & Repair

31 N. Alfred Ave.  
Elgin 60123  
(847) 697-6491

## LOUISIANA

## American Electronic Service Inc.

1401 Sandra St.  
Morgan City 70380  
(985)-702-8400  
gbf@atvci.net

## Baker, Lyman & Co., Inc.

5250 Veterans Memorial Blvd.  
Metairie 70006  
(504) 831-3685  
sales@bakerlyman.com  
www.bakerlyman.com

## MAINE

## DNW Marine Services, Inc.

P.O. Box 674  
176 Clark Point Road  
Southwest Harbor, ME 04679  
(207) 244-3490

## MARYLAND

## East Coast Compass

1 Queen Anne Ave.  
Cambridge 21613  
(410) 463-0325

### Drop off Location:

### *E.S. Hubbert & Son*

### *True Value Hardware*

403 Sunburst Hwy. Rt. 50  
Cambridge 21613  
tshubb@comcast.net

## J Gordon & Company, Inc.

726 Second Street  
Annapolis 21403  
(410) 263-0054  
jgordonco@aol.com

## Maryland Nautical Sales Inc.

1400 E Clement St.  
Baltimore 21230  
(410) 752-4268  
(800) 596-7245  
sales@mdnautical.com  
www.mdnautical.com

## MASSACHUSETTS

## Andrews Compass Service

11 Baptist Street  
P.O. Box 1122  
Mattapoisett 02739  
(508) 758-3001  
(800) 566-7277  
andrewscompass@verizon.net  
www.andrewscompass.com

## Cape Compass

114 Blacksmith Shop Rd.  
P.O. Box 52  
West Falmouth 02574  
(508) 457-9093  
(800) 675-9093  
Jeff.kaufmann@capecompass.com  
www.capecompass.com

## Viking Instruments

41 Summer St. Rt. 3A  
Kingston 02364  
(781) 585-2100  
info@vikingoptics.com  
www.vikingcompass.com

# RITCHIE AUTHORIZED SERVICE LOCATIONS

## MICHIGAN

### G T Compass Compensation & Repair

5250 Vance Rd.  
Grawn 49637  
(231) 943-9819  
GES5250@sbcglobal.net

## NEW JERSEY

### Howard Post

8 Logan Ct.  
Brick, NJ 08724  
(732) 295-1871 (NJ)  
(941) 966-4987 (FL)  
TheHop0@aol.com

## NEW HAMPSHIRE

### Young's Maritime Services, LLC

311 Pickpocket Rd  
East Wakefield, NH 03830  
(603) 312-4237  
info@youngsmaritimeservices.com  
www.youngsmaritimeservices.com

## NEW YORK

### Brewer Yacht Yard at Greenport Inc.

500 Beach Rd.  
Greenport 11944  
(631) 871-2588  
qmiii@aol.com

### North Sea Navigator

9 Logan Hill Rd.  
Northport 11768  
(631) 757-7169  
cjacobs31@optonline.net  
www.northseacompass.com

## NORTH CAROLINA

### Holden Navigation

41 Jordan Drive  
Belhaven 27810  
(252) 964-2436  
hold@gotricounty.com

### Island Compass South Inc. – Charlotte, NC Area

681 Bonum Rd.  
Lake Wylie, SC 29710  
(803) 831-9986  
(919) 323-5225  
compassfix@islandcompass.com  
www.islandcompass.com

### Ship Creek Boat Works

346 Scotts Hill Loop Rd.  
Wilmington 28411  
(910) 686-3975  
shipcreekboatworks@hotmail.com

## OHIO

### Ford-Smith Associates

6870 Kepler Rd.  
Clinton 44216  
(330) 882-4441  
(330) 338-4717  
FCruzanOn@aol.com

## OREGON

### Mark Anderson, Compass Adjuster

3006 NE Everett St.  
Portland 97232-3251  
(503) 720-6184  
Fax (503) 345-0944  
msa-adjuster@clear.net  
www.TheCompassAdjuster.com

## RHODE ISLAND

### East Bay Compass Service

128 Church Pond Drive  
Tiverton 02878  
(401) 864-7161  
ebcs@cox.net

### Hempstead Navigation Service, LLC

296 William Reynolds Rd.  
P.O. Box 123  
Exeter 02822  
(401) 294-9310  
hemprnav@gmail.com

## TEXAS

### Land Sea & Sky Unlimited

1927 Richmond Ave.  
Houston 77098  
(713) 529-3551  
repairs@lsstnr.com  
www.landseaskyco.com

### Marine & Industrial Specialties, Inc.

10 Ash St.  
P.O. Box 2077  
Freeport 77541  
(979) 233-0181  
rgoresr@sbcglobal.net

## VERMONT

### Bill Austin Marine Services

1933 So. Hill Rd.  
Ludlow 05149  
(203) 505-8319  
(802) 228-7710  
sneecs@aol.com

## VIRGINIA

### R.Smola Company

10231 Warwick Blvd.  
Newport News 23601  
rgjpsmola@aol.com  
(757) 596-6900

### Norfolk Navigation

P.O. Box 8440  
Norfolk 23503  
(757) 943-1955  
norfolknav@gmail.com

## WASHINGTON

### Eknes Instrument

Seattle 98107  
(206) 783-3303  
compassman98107@yahoo.com

### Island Marine Instrument Co, Inc.

2214 Broadway  
Everett 98201  
(888) 539-2757  
Fax (425) 258-4120  
cdrcompass@  
islandmarineinst.com  
www.islandmarineinst.com

## CARIBBEAN

### TRINIDAD WEST INDIES

### Marine Consultants (Trinidad) Limited

43A Charles St.  
Port of Spain  
(868) 625-1309  
FAX (868) 627-3349  
mcl@mcl.co.tt  
www.mcl.co.tt

## ST. THOMAS

### Davis Murray Compass Adjusting & Repair

6501 Red Hook Plaza  
Suite 201  
St Thomas, VI 00802  
(340) 244-0627  
splinterbeach@hotmail.com

## AUSTRALIA

### BLA

131 Rivergate Place  
Murarie, Queensland 4172  
61 (7) 3907 5500  
FAX 61 (7) 3907 5599  
service@bla.com.au  
www.bla.com.au

## CANADA

### BRITISH COLUMBIA

### The Compass Shop

Coquitlam, Delta, Campbell River  
(604) 202-4531  
service@thecompassshop.ca  
www.thecompassshop.ca

## NEW BRUNSWICK

### Maritime Compass

468 White Head Rd.  
White Head Island  
E5G 1K9  
(506) 662-5829  
navigate@fundybaynetworks.com

## ONTARIO

### Brewers Marine Supply

65 Guise St. E  
Hamilton L8L 8B4  
(905) 529-4114  
info@brewersmarine.com  
www.brewersmarine.com

## Ontario Compass

P.O. Box 510007  
City Centre Postal Outlet  
Brampton L6T 5M2  
(416) 903-6153  
Fax (905) 455-7543  
ontariocompass@ica.net

## QUEBEC

### Raytech Electronique

1451 Laurentides  
Laval H7M 2Y3  
(450) 975-1015  
raytech@raytech.ca  
www.raytech.ca

## FINLAND

### Oy Maritim Ab

P.O. Box 46  
Veneentekijantie 1  
00210 Helsinki  
+358 207 65180  
www.maritim.fi

## FRANCE

### Euromarine

2599 Route De La Fenerie  
06580 Pegomas  
Phone: +33(0)4 93 90 47 06  
Fax: +33(0)4 93 90 47 11  
www.euromarine.fr

## GERMANY

### ZN-Technik

Dipl.-Ing. Rolf Paulzen  
Hirtengeweg 15  
D-85375 Neufahrn bei Muenchen  
+49-8165-939366  
+49-172-9000910  
Fax +49-8165-939368  
paulzen@zn-technik.de

## GREECE

### Alex Marine

5 Leocharous St.  
18531 Piraeus  
+30 (210) 4129539  
alexmarine@otenet.gr

## ITALY

### Arimar S.P.A.

Via Beneficio Il Tronco 57/B,  
Montaletto di Cervia (RA) 48015  
Tele: 39/544/965689  
Web: www.arimargroup.com

## UFLEX SRL

Via Militie Ignoto, 8A  
16012 Busalla (GE)  
+39 010 9620 300  
Fax +39 010 9620 333  
avigdor@ultraflexgroup.it  
www.ultraflexgroup.it

## JAPAN

### Royal Industries, Co. Ltd.

3-4-15 Toyoda,  
Minami-ku, NAGOYA  
457-0841  
+81 (52) 731-4789  
FAX +81 (52) 731-4784  
marine@royal-kk.co.jp

## MALTA

### International Marine Center Ltd.

Testaferrata Street, Ta'Xbiex XBX 1405  
Malta – EUROPE  
(+356) 2133 2747  
Fax (+356) 2134 3871  
info@imc.com.mt  
www.imc.com.mt

## NETHERLANDS

### Datema Delfzijl BV

Zeesluisen 8  
9936 HX Delfzijl  
+31 (596) 635 252  
FAX +31 (596) 615 245  
sales@datema.nl  
www.datema.nl

## NEW ZEALAND

### Compass & Sextant Specialists

52A Bayswater Ave  
Bayswater  
+64 (9) 445-3336  
+64 274 751 761  
dschafer@xtra.co.nz  
www.Finda.co.nz

## NORWAY

### Telmo Control A/S

P.B. 46  
N-2021 Skedsmokorset  
+47 66926500  
postmaster@telmo.no

## RUSSIA

### Czar Trade House

42 Kastanaevskaya Str.,  
121108, Moscow, Russia  
+7 499-730-55-00  
inf@czar.ru  
stanislav@czar.ru  
www.czar.ru

## SINGAPORE

### Marine International Pte Ltd

388 East Coast Road  
Singapore 428990  
+65 64473004  
FAX +65 64474110  
Email: salesinfo@marine-intl.com.sg  
Web: www.marine-intl.com.sg

## SOUTH AFRICA

### Cape Town Regions

### Magnetic Compass Service

"Compassman" Compass Adjusters  
26 Rocklands Rd, Murdoch Valley  
Simon's Town  
Phone: +27 21 7862190  
084393 3304  
gusmos@mweb.co.za  
Find me on "Hotfrog"

## SWITZERLAND

### Bucher + Walt SA

Route de Soleure 8  
CH-2072 Saint-Blaise  
+41 (32) 7559500  
fzehnder@bucher-walt.ch  
www.bucher-walt.ch

## UNITED KINGDOM

## ENGLAND

### BPSC Marine Services

16 Penschurst Way  
Boyatt Wood, Eastleigh  
Hampshire SO50 4RJ  
+44 (07710) 092885  
barry.phillips2@ntlworld.com

## SCOTLAND

### Thomas Gunn

### Navigation Services

62 Regent Quay  
Aberdeen  
Aberdeenshire AB11 5AR  
+44 (1224) 595045  
info@thomasgunn.com

## VENEZUELA

### Maritime Electronics Technologies, C.A.

Av. Tajamar, Sector El Paraiso  
Marina Bahia Redonda, Local 10  
Puerto La Cruz, Anzoategui  
(+58)-281-267.86.83  
Fax (+58)-281-263.57.05

## WARRANTY

We warrant all Ritchie instruments to be free of defects in workmanship or materials. If a Ritchie magnetic compass has a manufacturing defect within five years of purchase date, it will be repaired or replaced without charge. This warranty does not cover breakage through accident or misuse. Replacement or repair will be made if the instrument is returned prepaid to a Ritchie Service Station or directly to:

**E.S. Ritchie & Sons, Inc.**  
243 Oak Street, P.O. Box 548  
Pembroke, MA 02359



*For more information including articles, downloads  
and our Complete Guide to Compass Navigation,  
visit: [www.ritchienavigation.com](http://www.ritchienavigation.com)*

**Europe**

**I.M.D.S. (UK office)**

Unit 11 Fernacre Business Ctr.  
Budds Lane  
Romsey, Hampshire UK SO51 0HA  
Ph: 44 1794 523255  
Fax: 44 1794 523277  
E-mail: [tony@rshaw.co.uk](mailto:tony@rshaw.co.uk)  
Contact: Tony Robertshaw

**Europe**

**I.M.D.S. (European Office)**

P.O. Box 69  
NL-8250 AB Dronten  
Holland  
Telephone: 31 321 337062  
Fax: 31 321 381640  
E-mail: [info@imds.org](mailto:info@imds.org)  
Contact: Rene Kemperman

**Caribbean, Mexico,**

**Latin/South America Sales  
E & P Marine**

2425 NW 33rd Avenue  
Miami, FL 33142  
Telephone: (305) 634-6110  
Fax: (305) 634-1191  
E-mail: [info@epmarine.com](mailto:info@epmarine.com)  
Contact: Miguel VaSallo

**Asia/Pacific Rim, Africa,**

**Middle East**

**Brunger Export INC.**

4901 NW 17th Way - 600  
Fort Lauderdale, FL 33309  
Telephone: (954) 928-1245  
Fax: (954) 928-1644  
Email: [info@brungerexport.com](mailto:info@brungerexport.com)

**RITCHIE®  
NAVIGATION**

E.S. Ritchie & Sons, Inc.  
243 Oak Street, P.O. Box 548  
Pembroke, MA 02359

Telephone: (781) 826-5131 • Fax: (781) 826-7336

E-mail: [sales@ritchienavigation.com](mailto:sales@ritchienavigation.com)

Website: [www.ritchienavigation.com](http://www.ritchienavigation.com)